



Minecraft Dungeons Arcade

Setup and Operation Service Manual

Revision MC-1.10-5.26.21



© 2021 Mojang AB. All Rights Reserved. Minecraft, Minecraft Dungeons, the Minecraft logo, and Mojang are trademarks of the Microsoft group of companies.

This software is based in part on the work of the Independent JPEG Group.

This product includes software developed by the OpenSSL Project for use in the OpenSSL Toolkit. (<http://www.openssl.org/>)

This product includes cryptographic software written by Eric Young (ey@cryptsoft.com)

This product includes audio software developed by FMOD Studio. (<https://www.fmod.com/>)

Table of Contents

Safety.....	3
Product Specifications.....	5
Fuse Replacement Guide.....	5
Setup.....	6
Game Software Setup.....	21
Online Registration.....	21
PC USB Connection Guide.....	22
Maintenance.....	23
Troubleshooting.....	26
Online Troubleshooting.....	28
Parts.....	29
System Diagrams.....	40
Contact Information.....	47



Safety

OPERATION

Before operating game, read this manual. Failure to properly install and operate this game could result in malfunction or accident. Operate the game in accordance with the manual.

TRANSPORTING

Cabinet is very heavy and contains fragile components. Use appropriate care when moving or transporting cabinet. Avoid rough handling.

HANDLING COMPONENTS

Many components are extremely sensitive to handling, environmental and Electrostatic Discharge (ESD) events—especially the computer. Do not handle it roughly. Before servicing, call your distributor and inquire about the PC warranty. Use proper ESD procedures when servicing. Protect components from harmful environmental conditions, such as extreme temperatures, excessive moisture or other damaging effects.

DISCONNECT POWER

Always turn off power and unplug the units before servicing or making adjustments, unless otherwise instructed. Installing or repairing components while power is on can damage the components and void the warranty.

GROUNDING

Avoid electrical shock. Do not plug in AC power until you have inspected and properly grounded the unit. Only plug into a grounded, three-wire outlet. Do not use a “cheater” plug or cut off the ground pin on the line cord.

ELECTRICAL SHOCKS

There is no isolation transformer in the cabinet. Disconnect AC power before servicing. However, be aware that lethal voltages can remain in the electronic components even when AC power is disconnected. Use extreme caution when servicing. Verify that there is a working ground connection. If the unit sustains water damage, cease using it immediately and unplug AC power.

MONITOR

The monitor contains no user serviceable parts. Do not attempt to service the monitor.

POWER CORD

If the power cord is damaged or lost, replace it with an identical cord as supplied by the manufacturer or an authorized service agent.

SURGE SUPPRESSOR

It is recommended that you plug your game’s power cord into a surge suppressor to help protect from power surges that may damage sensitive electronic components.

WATER AND OTHER LIQUID

Do not install game near sprinkler or other water jet sources. Do not use water jet to clean game. Keep minimum clearance behind game and wall for proper ventilation but also prevent access of liquid from spills and sprays from entering ventilation holes.

Minecraft Dungeons Arcade Service Manual

CONNECTORS

Ensure all connectors mate properly. If connectors do not slip in easily, do not force them. Connectors are often keyed and only connect one way. Check for correct orientation.

COMPUTER

The computer contains sensitive components, including a hard drive. Do not handle it roughly. Call your distributor before servicing its internal components. Ask about warranty information as it relates to the PC.

Cycle AC power on or off with the cabinet power switch.

A dongle has been inserted into one of the USB ports. This is required for game play.

Do not remove the dongle except for troubleshooting purposes.

TEMPERED GLASS WARNING

When handling the LCD display glass cover take special care and set the glass down softly on a flat surface free of debris. The edge of the glass is sensitive to hard impact. Shattered glass from the monitor can travel long distances and cause bodily injury. Use proper procedures when handling broken materials.

HAZARD TO EPILEPTICS

A small portion of the population has an epileptic condition that may cause seizures. Affected persons experience seizure while watching some television pictures or playing certain video games. People who have not had seizures may still have an undetected epileptic condition. If anyone in your family has experienced epilepsy symptoms (seizures or loss of awareness), consult your physical before using video games. While children play video games, a parent should observe. Be alert to the following symptoms: dizziness, altered vision, eye or muscle twitching, involuntary movements, loss of awareness, disorientation or convulsions. If you or your child experiences these symptoms, discontinue use immediately and consult your physician.

MANUAL

Keep this manual available and ready for use. If the game fails to function properly, turn off the machine and unplug the AC line cord. Contact your local distributor. You may not reproduce this document or any of its contents without written authorization from Raw Thrills™, Inc. or PlayMechanix™ Inc.

SPECIFICATIONS

For reasons such as performance, this product's specifications may change without notice. Federal patent, copyright and other intellectual property laws protect the content, devices and design of the game and its equipment.

Product Specifications

Electrical Power

Unites States (75" and 65" models)

Voltage: 120VAC / 60 Hz

Operating AC Current: 5 Amps

International (65" model only)

Voltage: 230 VAC / 50 – 60 Hz

Operating AC Current: 2.5 Amps

Temperature

50° to 104° Fahrenheit (10° to 40° Celsius)

Humidity

Must not exceed 95% relative humidity

Main Carton Specifications

Height	Width	Depth	Weight
40" (101.6 cm)	73" (185.42 cm)	48" (121.92 cm)	540 Lbs (244.94 kg)

Stand Carton Specifications

Height	Width	Depth	Weight
35.5" (90.17 cm)	54" (137.16 cm)	55" (139.7 cm)	300 Lbs (136.078 kg)

Assembled 65" Cabinet Dimensions

Height	Width	Depth
116.71" (296.44cm)	71.70" (182.12 cm)	67.79" (172.19 cm)

Assembled 75" Cabinet Dimensions

Height	Width	Depth
125.57" (318.95 cm)	71.70" (182.12 cm)	67.79" (172.19 cm)

Fuse Replacement Guide

NOTE: FOR CONTINUED PROTECTION AGAINST FIRE AND ELECTRICAL DAMAGE,
USE ONLY SPECIFIED FUSE TYPE AND VALUE.

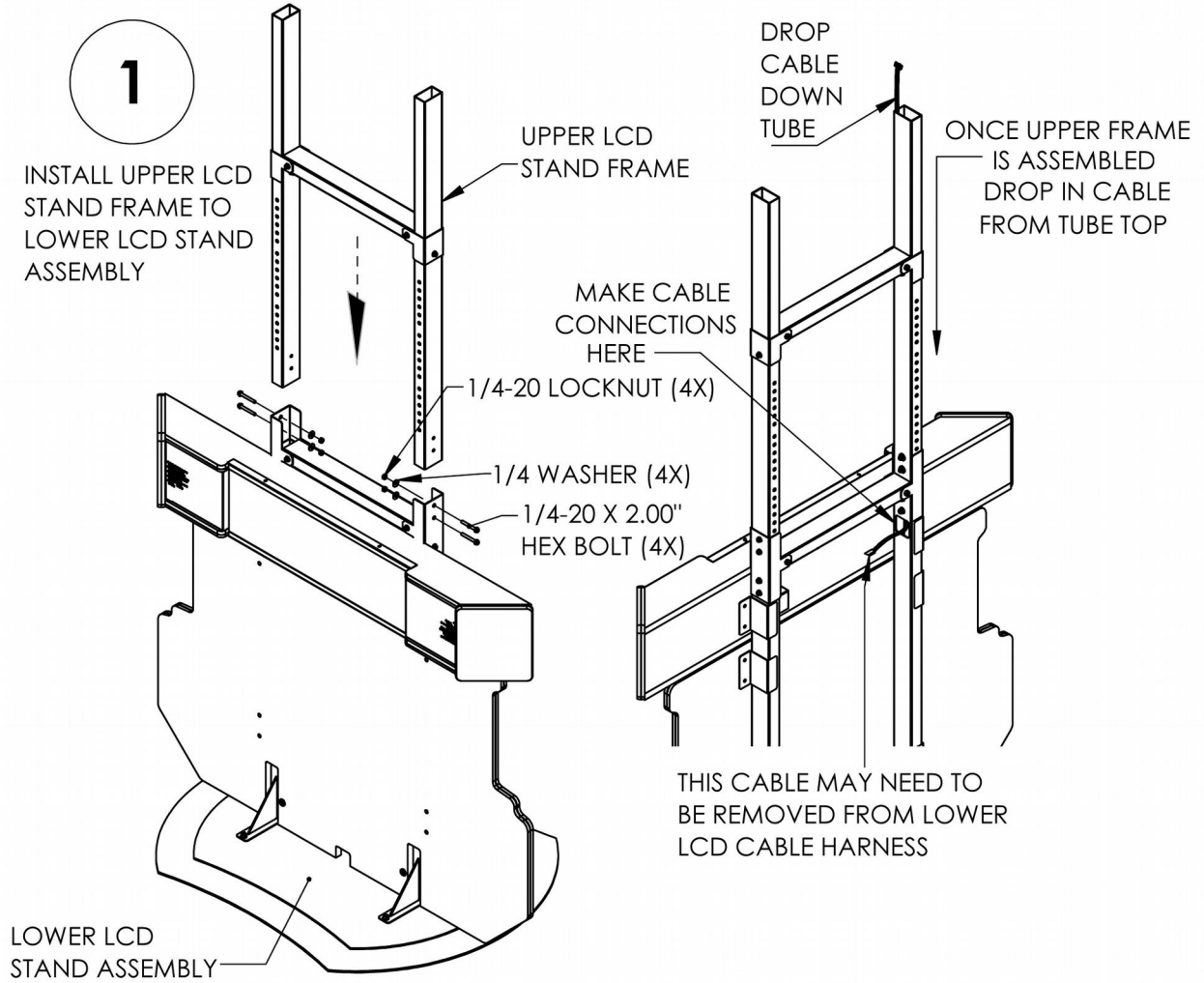
(9) 12V fuses:

Please see unit for specified fuse labeling. Abbreviations:

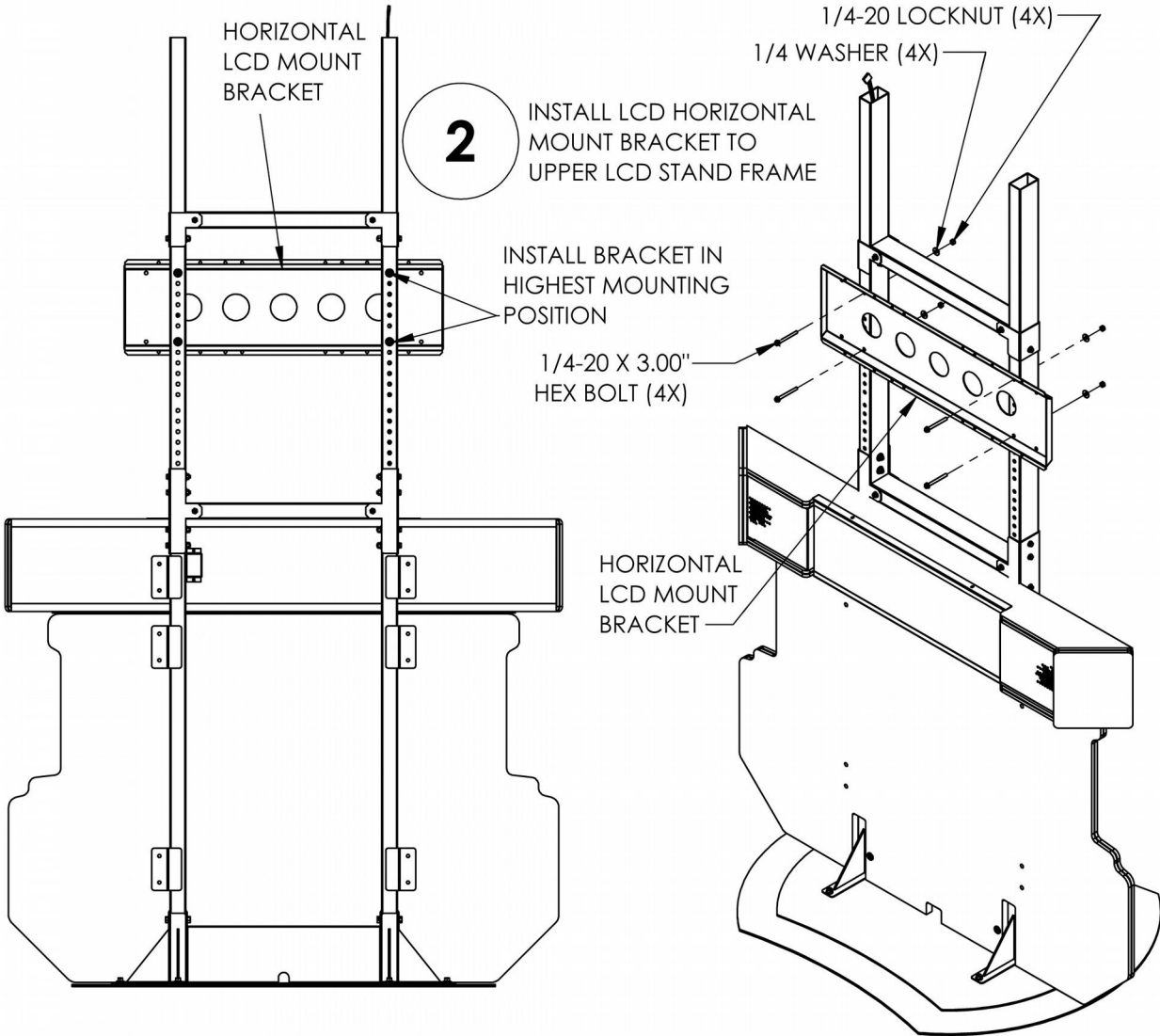
5A 250V	5A, 250VAC Fast Acting 3AG Fuse	Littlefuse 0312005.MXP (or equivalent)
---------	---------------------------------	--

Setup

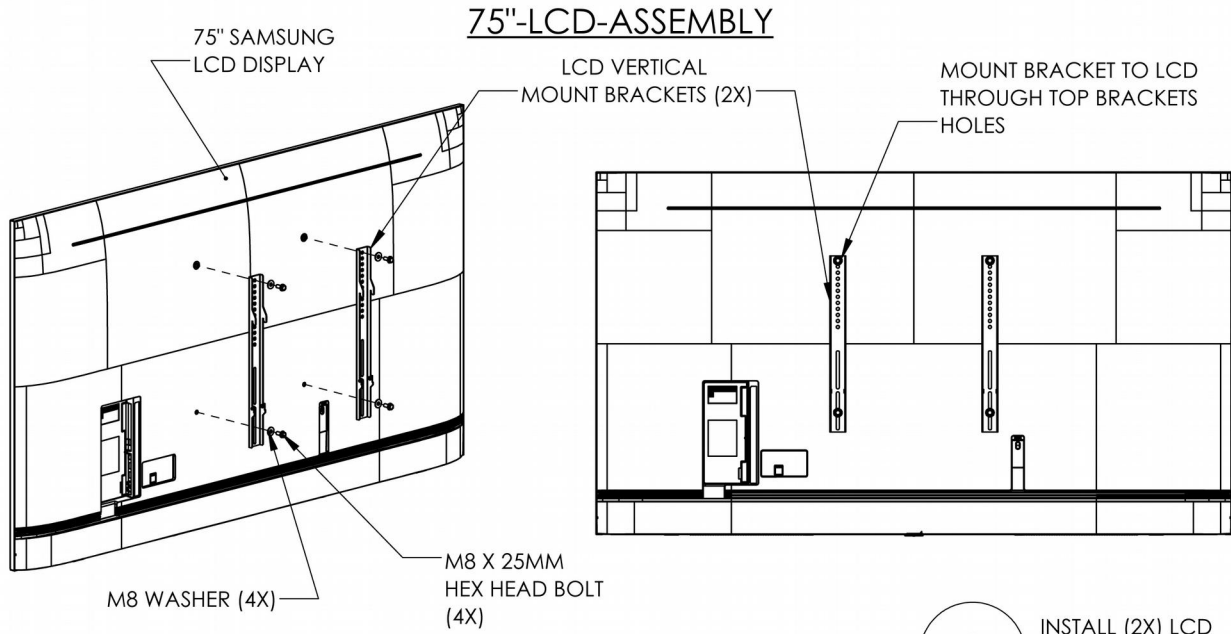
1. Install Upper LCD Stand Frame to Lower LCD Stand Assembly



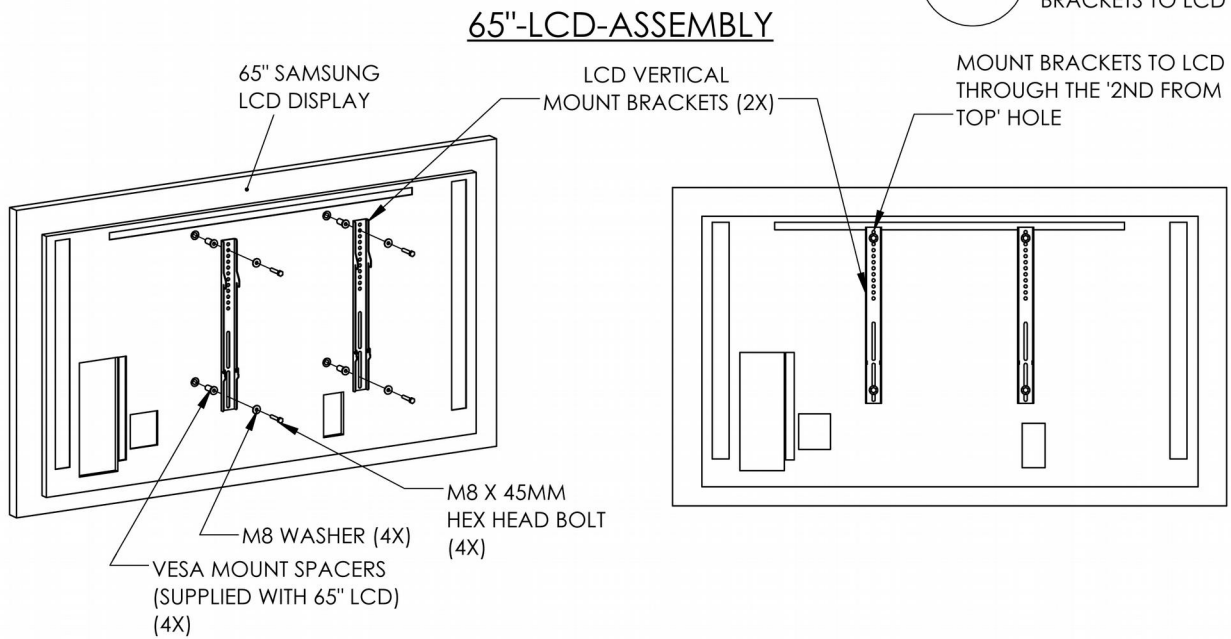
2. Install LCD Horizontal Mount Bracket to Upper LCD Stand Frame



3. Install LCD Vertical Mount Brackets

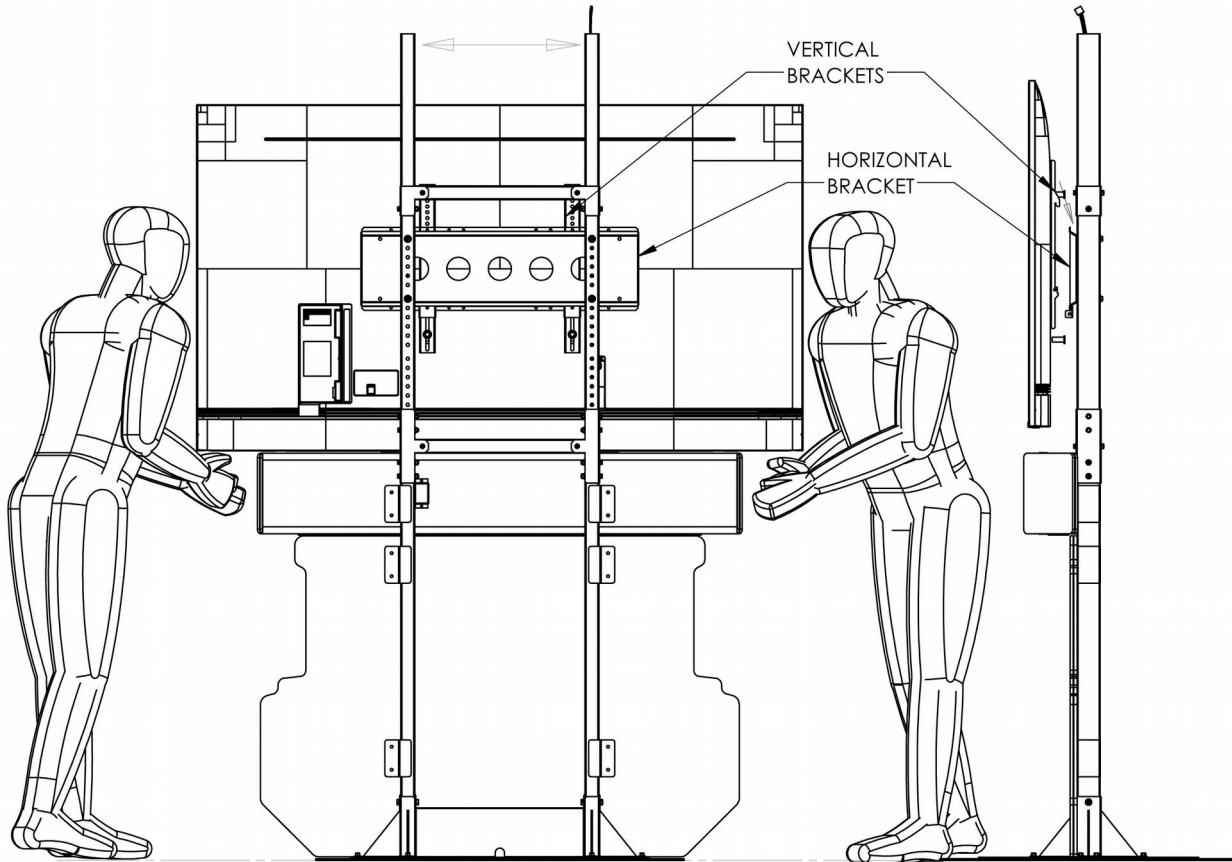


3 INSTALL (2X) LCD VERTICAL MOUNT BRACKETS TO LCD

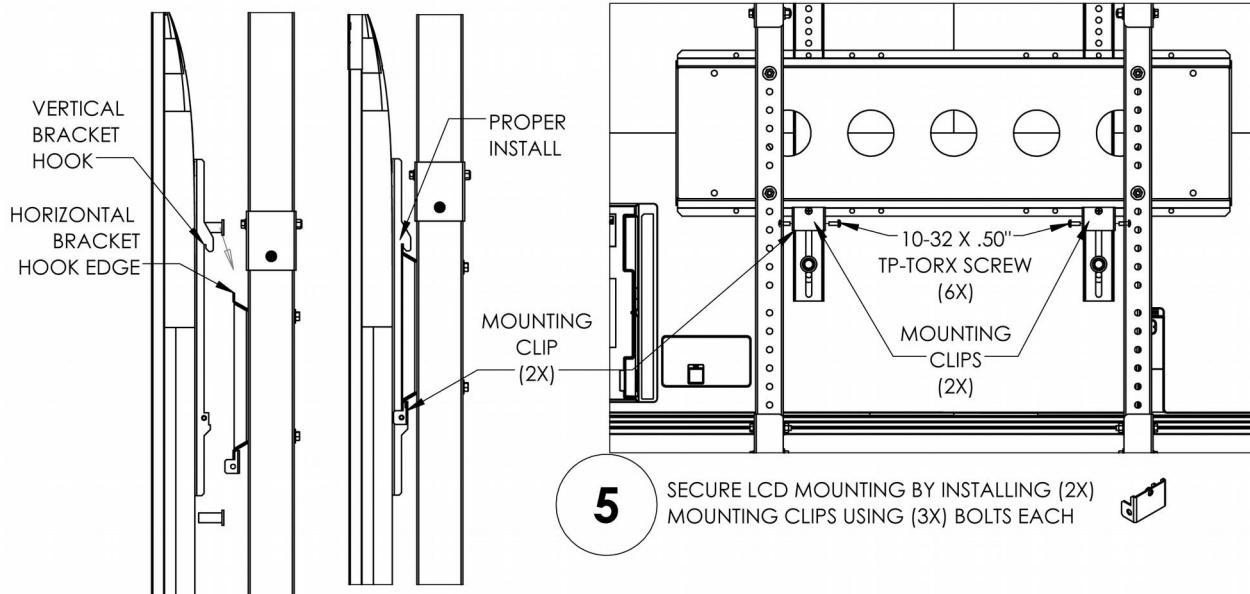


4. Lift and Hang LCD Display

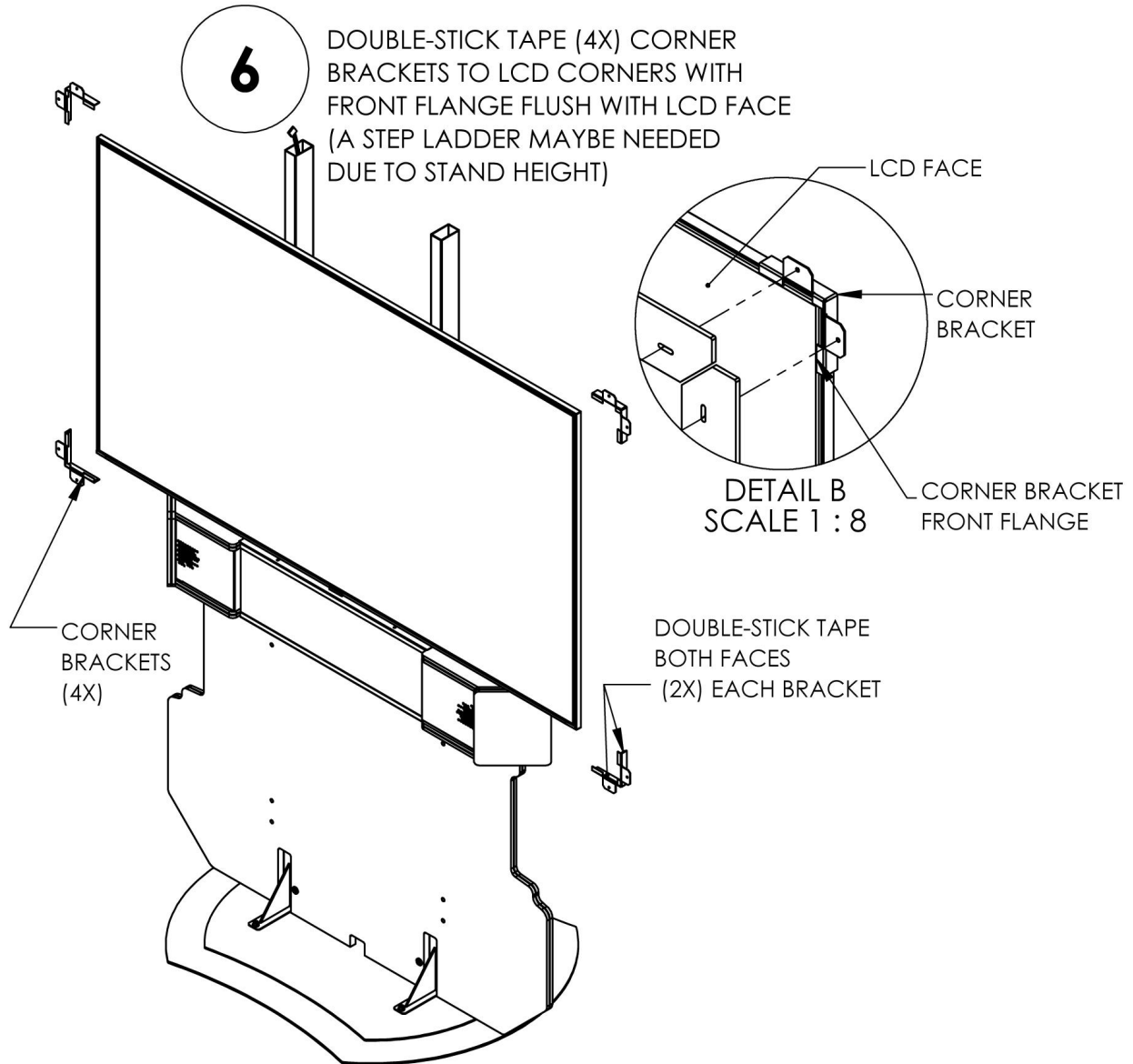
4 USING TWO PEOPLE - LIFT AND HANG THE LCD DISPLAY ASSEMBLY BY HOOKING THE LCD VERTICAL BRACKETS ONTO THE HORIZONTAL BRACKET EDGE AND CENTER THE LCD LEFT TO RIGHT



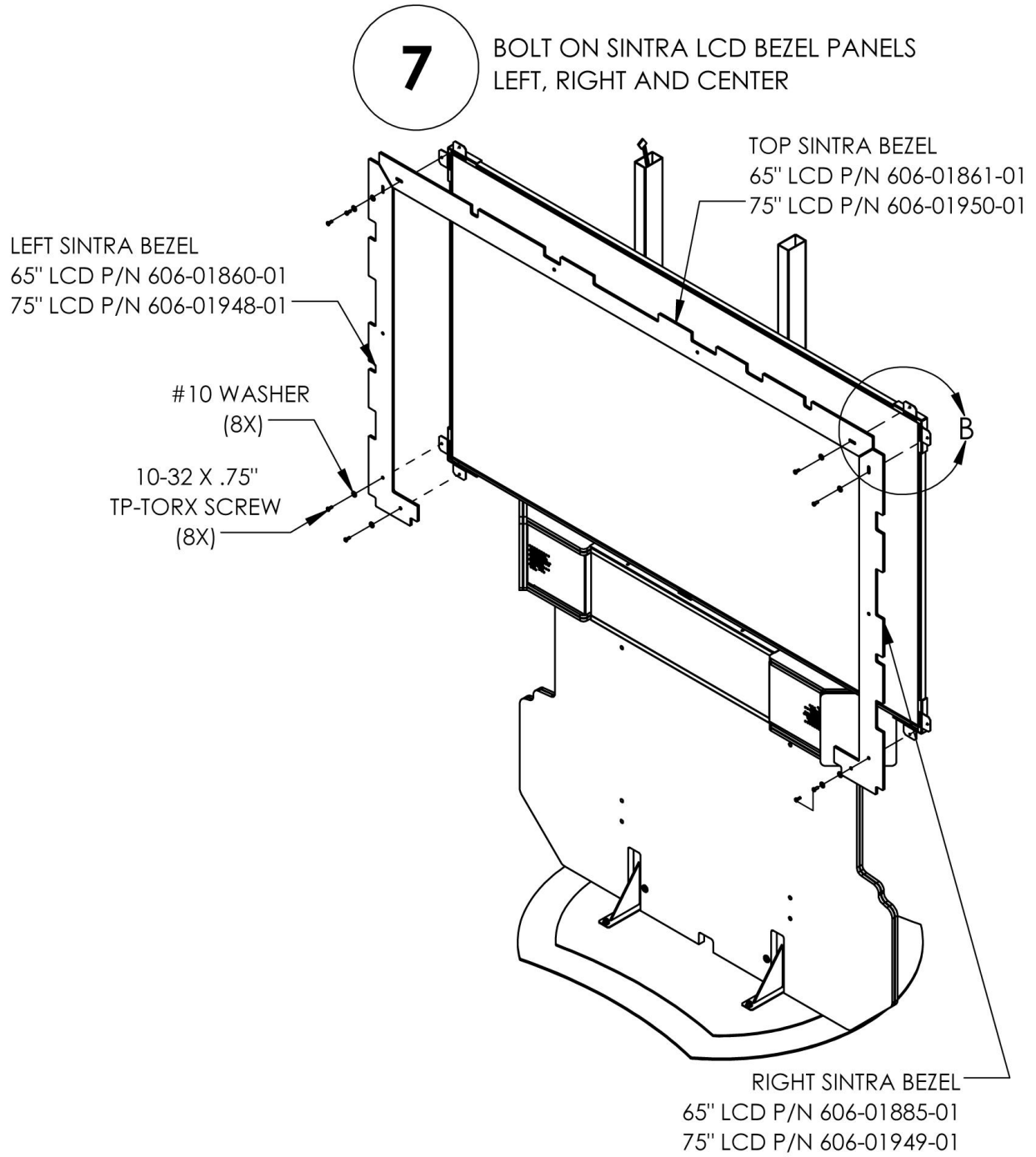
5. Secure LCD Mounting



6. Attach Corner Brackets to LCD



7. Bolt on LCD Bezel Panels

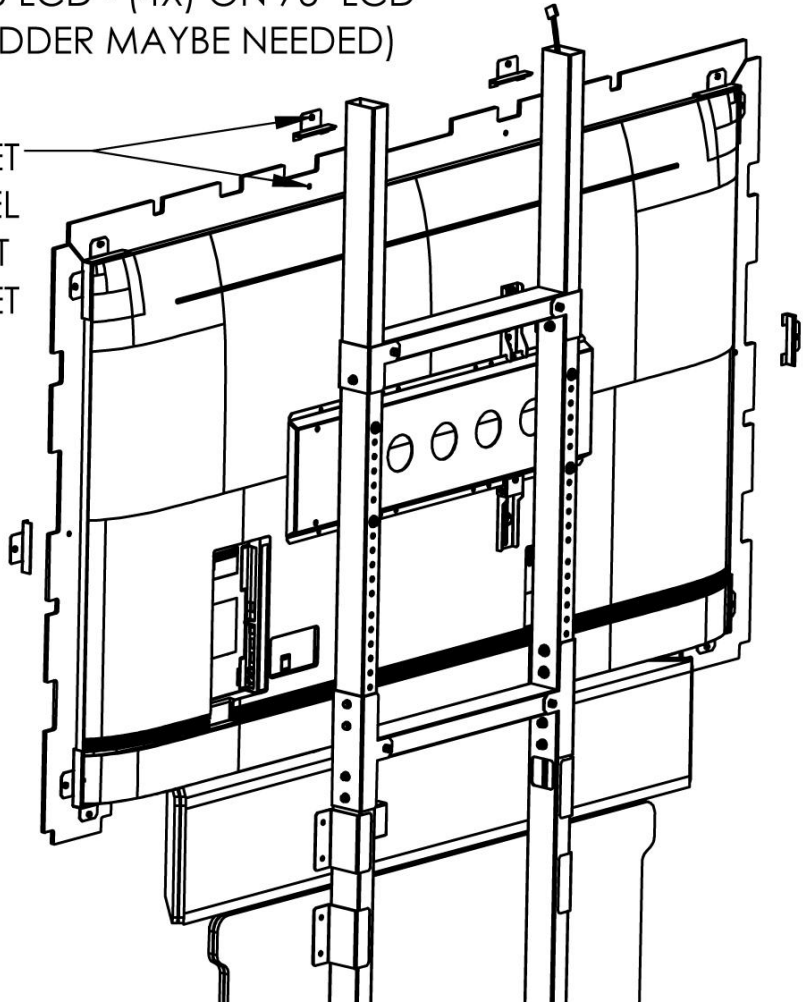


8. Attach Center Brackets to LCD Bezel

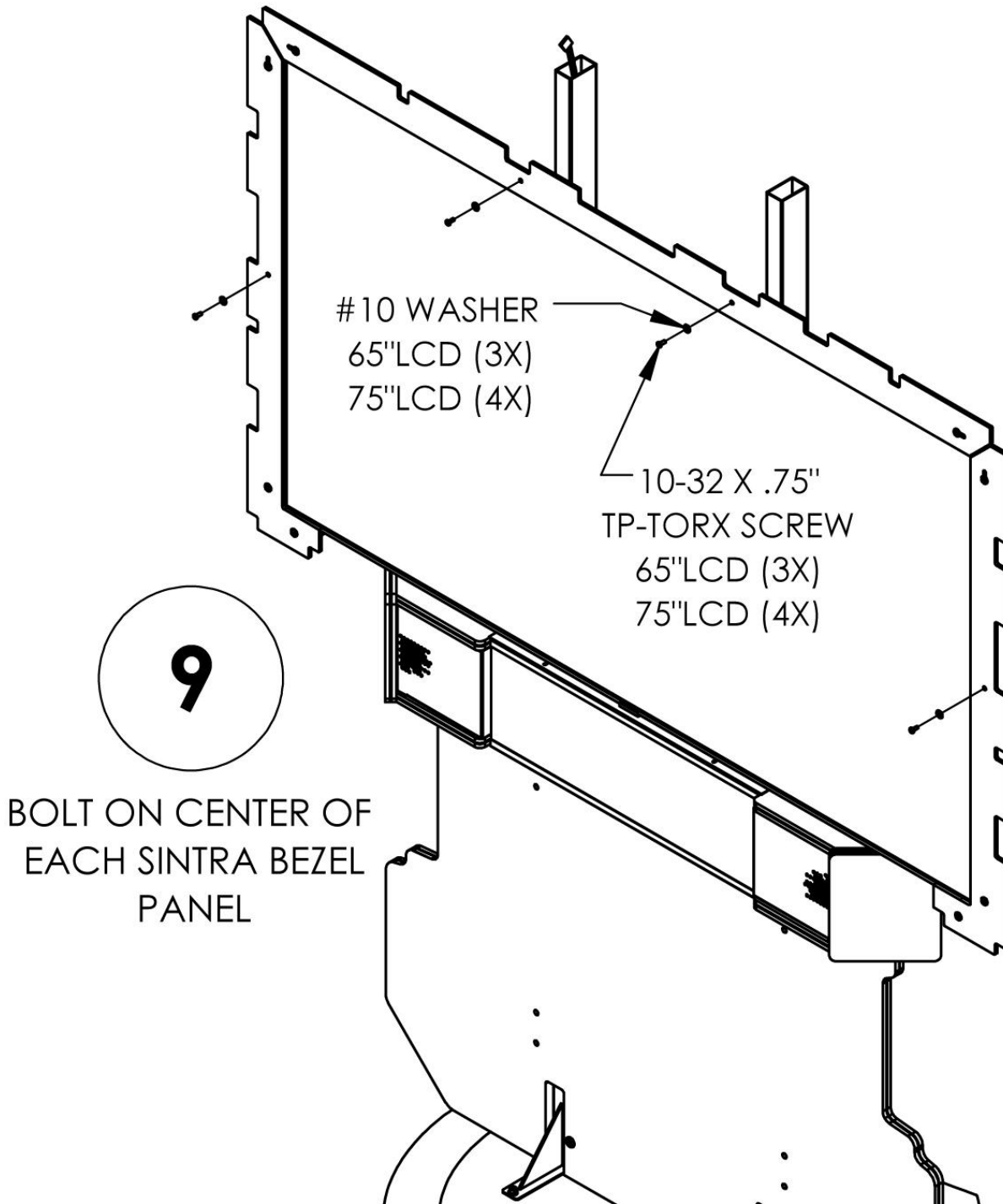
8

DOUBLE-STICK TAPE CENTER BRACKETS TO LCD BEZEL WITH FRONT FLANGE FLUSH WITH LCD FACE (3X) ON 65"LCD - (4X) ON 75" LCD (A STEP LADDER MAYBE NEEDED)

PLACE EACH BRACKET ALIGNING HOLE IN BEZEL WITH THREADED INSERT IN EACH BRACKET



9. Bolt Brackets to Bezel Panels

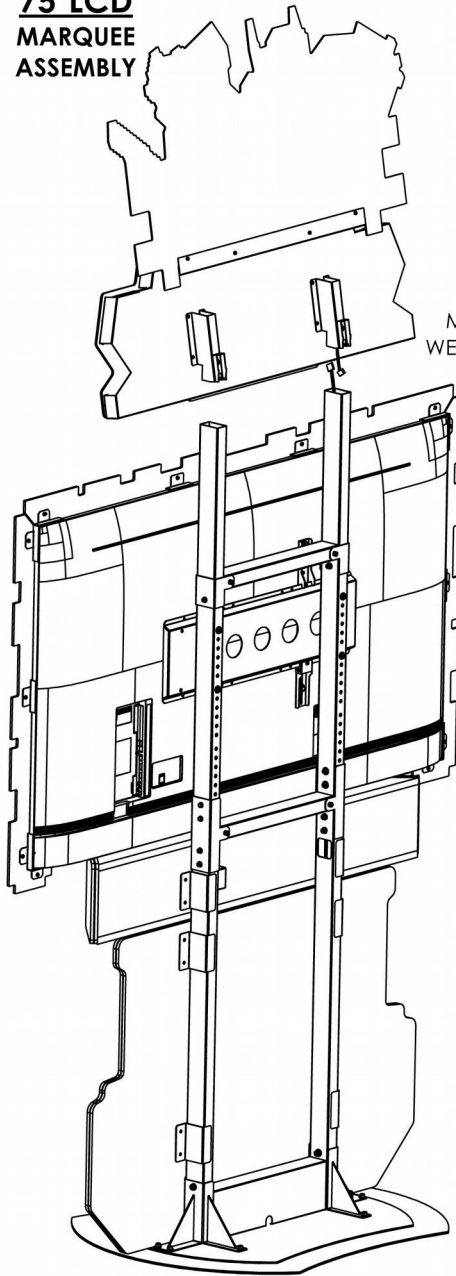


10/11A. Attach 75" Marquee Assembly

10A

USING TWO PEOPLE - LIFT AND HANG THE MARQUEE ASSEMBLY ONTO TOP OF LCD STAND SQUARE TUBES
-MAKE ELECTRICAL CABLE CONNECTION PRIOR MOUNTING-
(A STEP LADDER WILL BE NEEDED)

**75"LCD
MARQUEE
ASSEMBLY**



-IMPORTANT FIRST STEP-
BEFORE INSERTING MARQUEE INTO TUBES - LOOSEN THIS BOLT SO WEDGE SLIDES EASILY

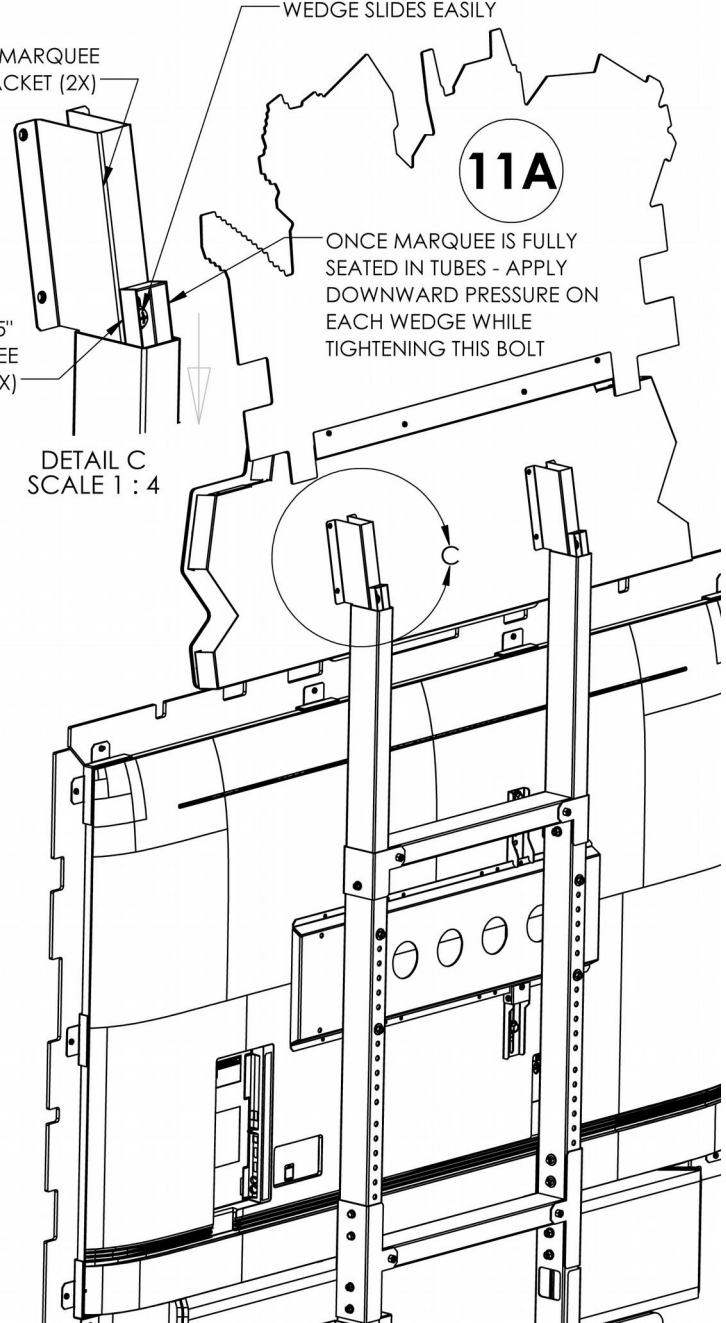
75" MARQUEE BRACKET (2X)

75" MARQUEE WEDGE (2X)

DETAIL C
SCALE 1 : 4

11A

ONCE MARQUEE IS FULLY SEATED IN TUBES - APPLY DOWNWARD PRESSURE ON EACH WEDGE WHILE TIGHTENING THIS BOLT

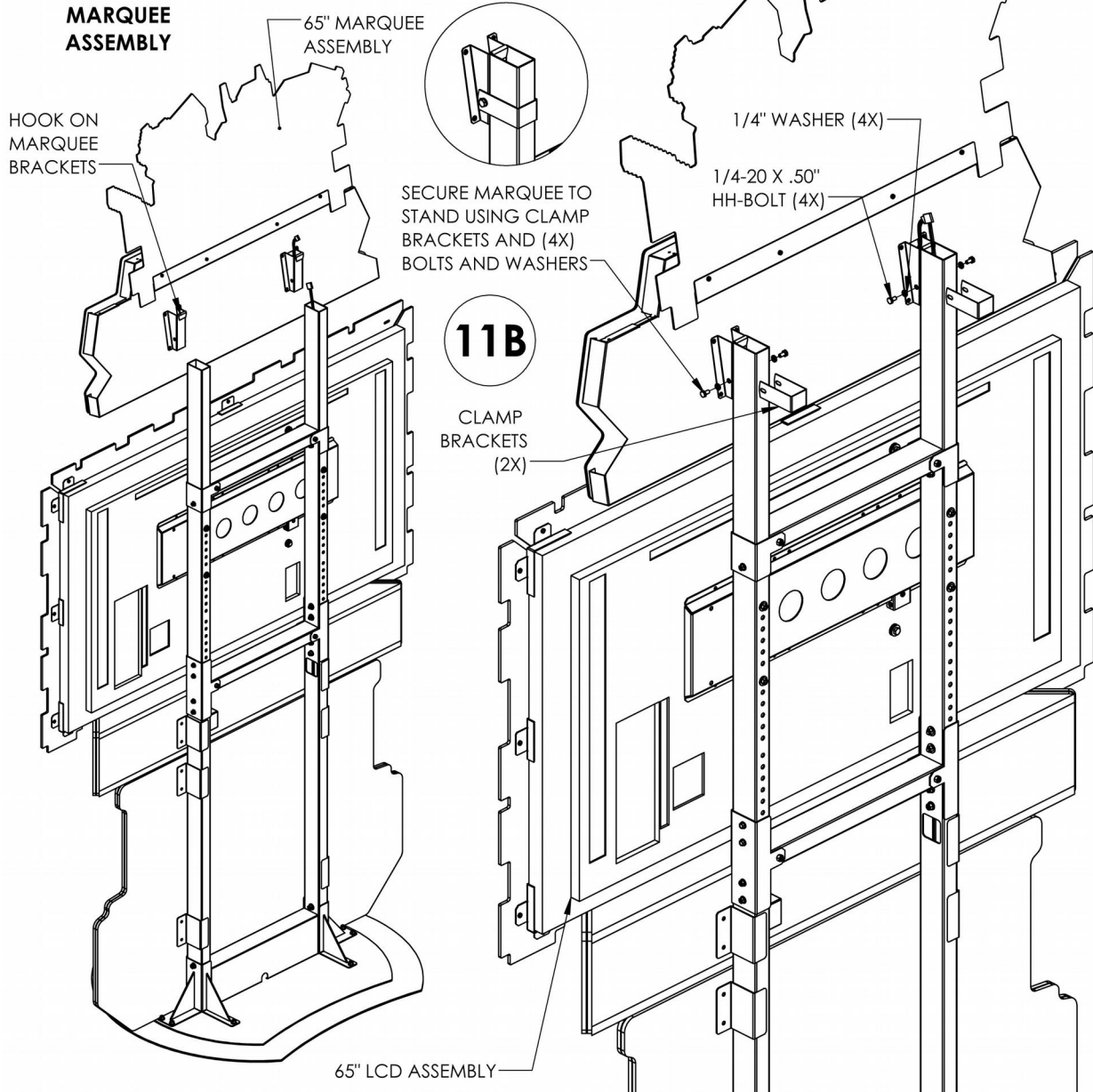


10/11B. Attach 65" Marquee Assembly

10B

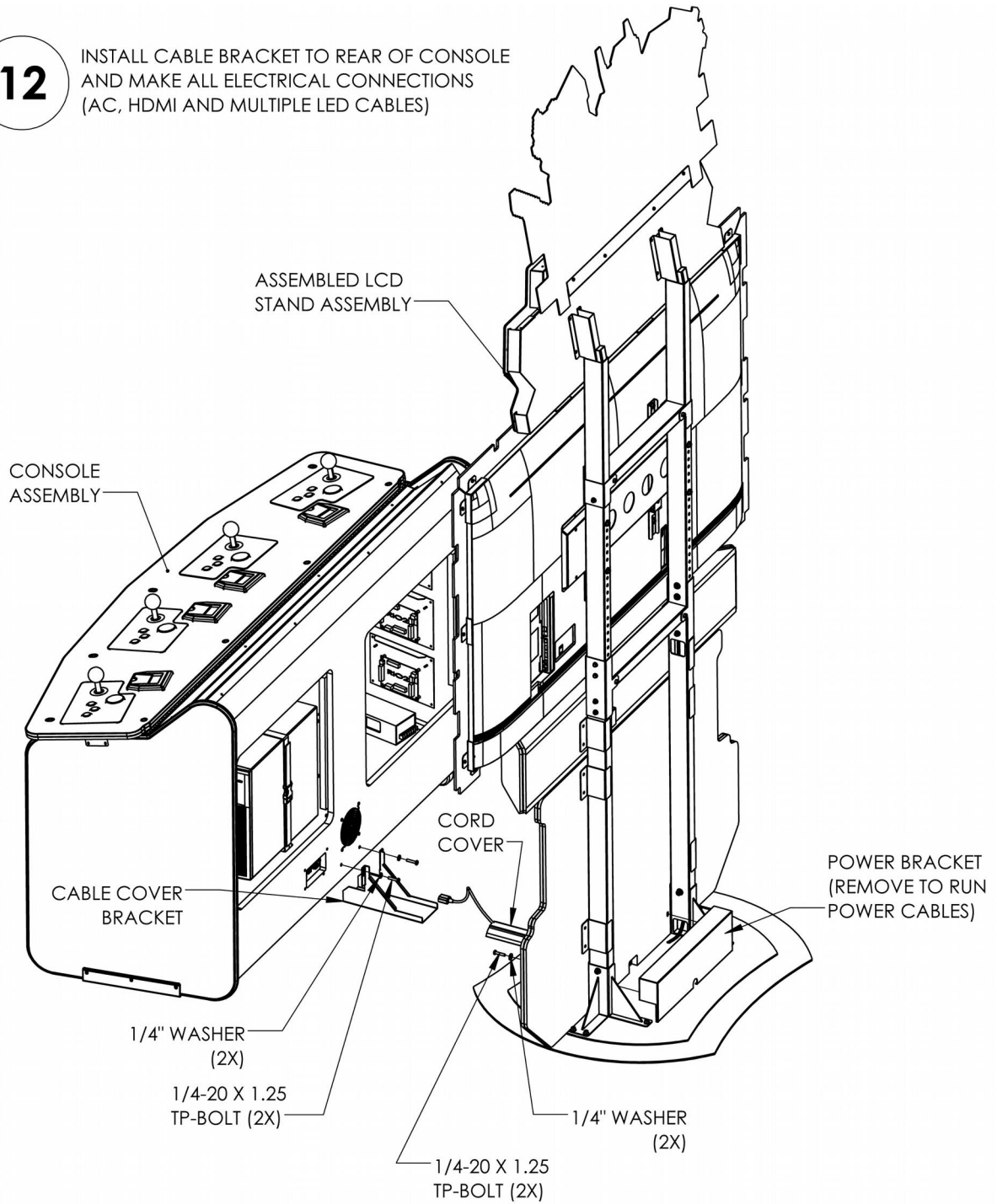
USING TWO PEOPLE - LIFT AND HANG THE MARQUEE ASSEMBLY ONTO TOP OF LCD STAND SQUARE TUBES USING HOOKS ON MARQUEE BRACKETS
-MAKE ELECTRICAL CABLE CONNECTION AFTER MOUNTING- (A STEP LADDER WILL BE NEEDED)

**65"LCD
MARQUEE
ASSEMBLY**



12. Install Cable Bracket and Connect Cables

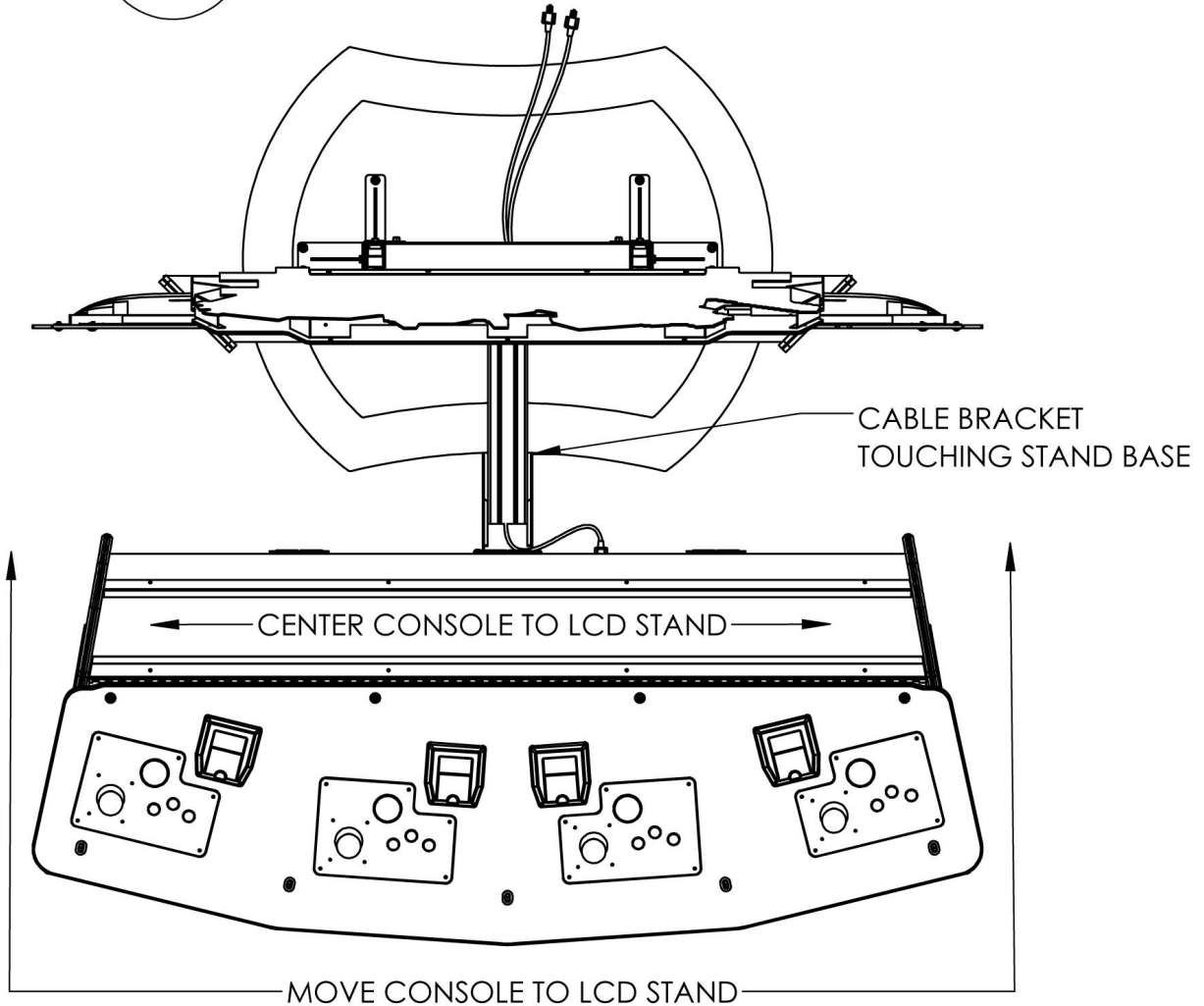
12 INSTALL CABLE BRACKET TO REAR OF CONSOLE AND MAKE ALL ELECTRICAL CONNECTIONS (AC, HDMI AND MULTIPLE LED CABLES)



13. Position Console Assembly

13

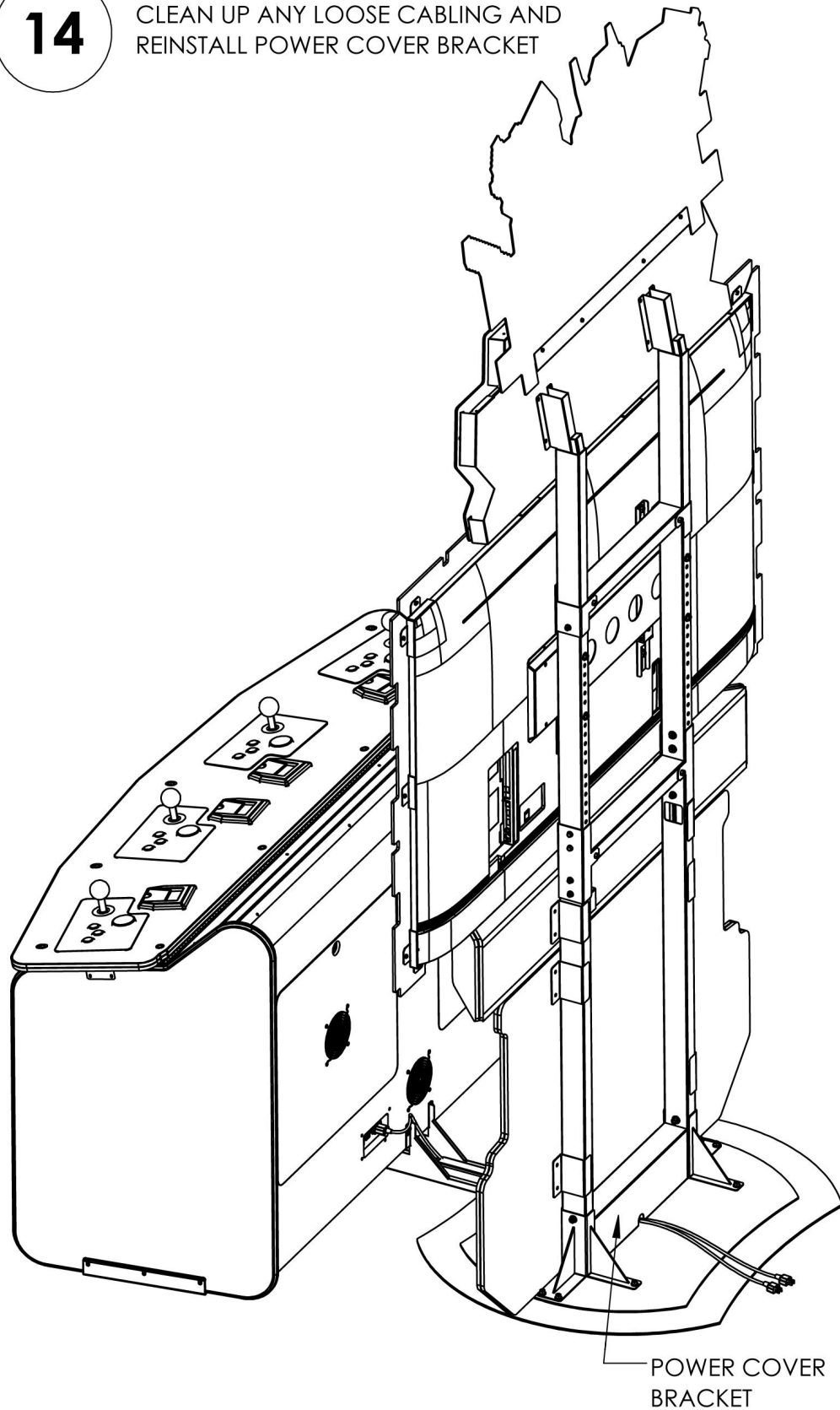
POSITION CONSOLE TO PREFERRED POSITION WITH CABLE BRACKET TOUCHING FRONT OF LCD STAND BASE



14. Install Power Cover Brackets

14

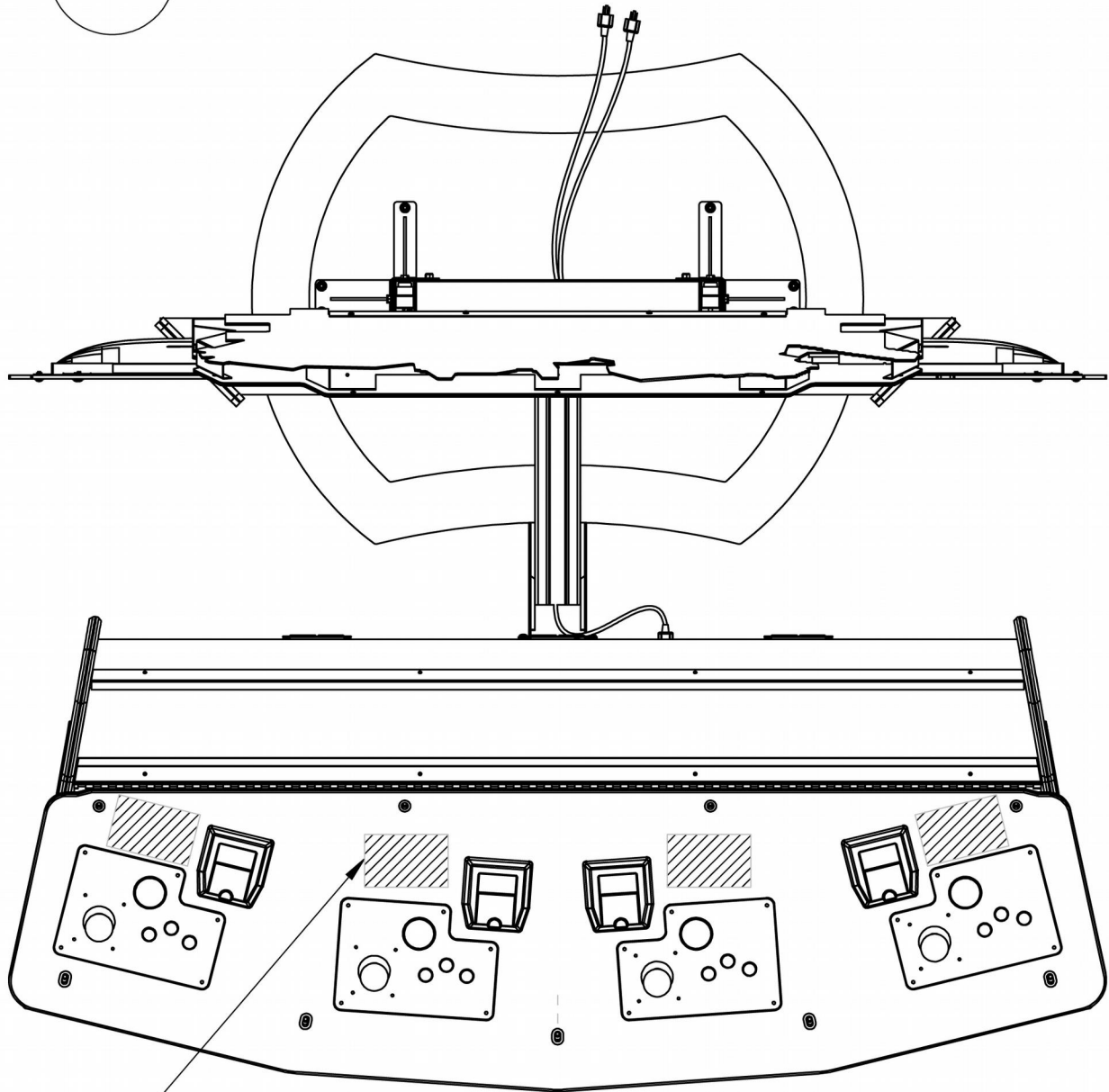
CLEAN UP ANY LOOSE CABLING AND REINSTALL POWER COVER BRACKET



15. Install Location Specific Card Readers (Optional)

15

POSITION OF PLAYER 'CREDIT' CARD READERS



THE SHADED RECTANGULAR AREAS ON THIS CONTROL PANEL ARE THE PREFERRED AREAS FOR LOCATION SPECIFIC CARD READERS

Verify Cabinet Functionality

1. Verify the voltage in the nearest AC outlet.
2. Verify the AC outlet ground connection is present and working.
3. Verify that the specified operating current will not overload the supply circuits.
4. Plug the line cords into AC outlet.
5. Turn the main cabinet power switch to ON.
6. Verify that the cooling fans on the cabinet are working.
If not, turn off AC power and disconnect line cord. Contact Betson service
7. Check that no component is excessively hot or emitting foul odors.
If so, turn off AC power and disconnect line cord. Contact Betson service.
8. Once software loads, you will be asked to setup the cabinet software.

Game Software Setup

Initial Setup

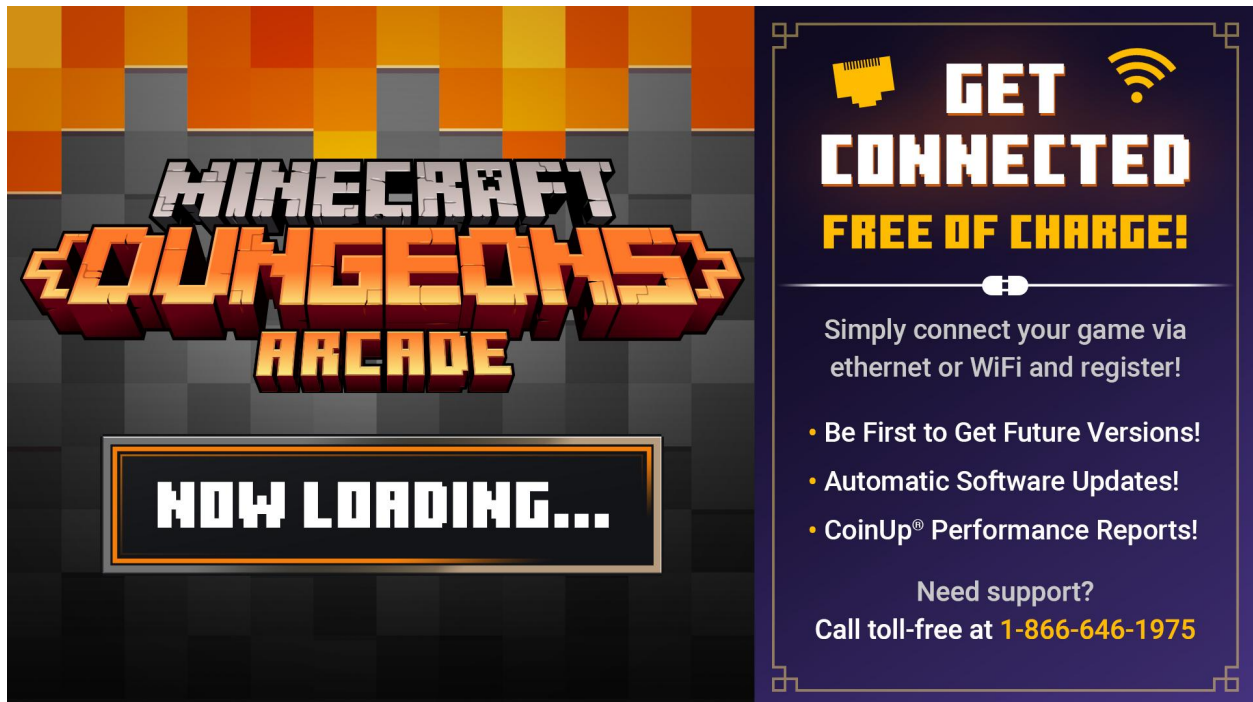
When first turned on, follow the onscreen prompts to complete initial game setup.

Verify Input and Output Functionality

1. Enter the Diagnostic menu
2. Enter the INPUT TESTS menu and verify all switches and inputs function.
3. Enter the VIDEO TESTS menu and verify that video is acceptable.
4. Enter the COIN METER TEST and verify the operation of the coin meter.
5. Enter the LAMP TESTS menu and verify that the lamps of the buttons work correctly.
6. Enter the SOUND TEST menu and verify the audio works and is not distorted.
7. Enter the WATCHDOG TEST menu, which re-boots the game.
8. Upon a successful re-boot, you are ready to make adjustments to pricing, volume and other functions found in the Diagnostic menu.

Online Registration

Minecraft Dungeons Arcade can be connected online. Keeping the unit online will allow it to update to new software releases automatically and will provide performance reports on coinup.com.



The image shows a loading screen for Minecraft Dungeons Arcade. The background features a pixelated orange and grey pattern. The title "MINECRAFT DUNGEONS ARCADE" is displayed in a stylized, blocky font. Below the title is a black box with the text "NOW LOADING...". On the right side, there is a dark blue overlay with a white border. It contains the text "GET CONNECTED FREE OF CHARGE!" with icons for a network card and a Wi-Fi signal. Below this, it says "Simply connect your game via ethernet or WiFi and register!". A list of benefits follows: "• Be First to Get Future Versions!", "• Automatic Software Updates!", and "• CoinUp® Performance Reports!". At the bottom of the overlay, it says "Need support? Call toll-free at 1-866-646-1975".

PC USB Connection Guide



Maintenance

Hard Drive Recovery

Symptoms requiring hard drive recovery include:

- File Test reports bad or missing files
- Game fails to finish loading during startup
- After resetting the AC power, an error is reported
- You are prompted to insert a boot DVD
- Erratic Game or Attract Mode
- A screen indicating Data Files Corrupted

COMPUTER

The computer contains sensitive components, including a hard drive. Do not handle roughly. Call your distributor before servicing its internal components. Ask about warranty information as it relates to the PC.

Do **not** use the PC on/off switch. Turn AC power on or off with the main cabinet power switches.

Flash Drive Restore

1. Turn both cabinet AC power switches to OFF.
2. Connect USB flash drive to an open USB port found inside the coin door.
3. Turn both cabinet AC power switches to ON.
4. Initial software loading may take several minutes. Check progress periodically.
Do not interrupt power or reset the game during recovery.
5. When software has finished loading, a message indicates that restore is complete.
6. Turn both cabinet power switches to OFF and disconnect USB flash drive.
7. After 30 seconds, turn both cabinet power switches to ON.
8. After game restarts, the game will proceed through the Setup wizard with factory defaults.

Refilling Card Dispensers

Note: Using damaged cards in the card dispenser(s) can cause damage to the dispenser(s).

Note: Do not eject card hopper when refilling card dispensers, as this may damage the dispenser.



1. Open the card dispenser door.
2. Remove the weight from the card hopper.
3. Add cards to the card hopper, making sure to leave enough room for the weight.
4. Place the weight back into the card hopper.
5. Close the card dispenser door.

Clearing Card Dispenser Jam

1. Open the card dispenser door.
2. Remove the weight from the card hopper.
3. Remove all loose (non-jammed) cards from the card hopper.
4. Carefully remove any jammed cards.
5. Check cards for damage and discard any damaged cards.
6. Put the undamaged cards back into the card hopper.
7. Place the weight back into the card hopper.
8. Close the card dispenser door

Minecraft Dungeons Arcade Service Manual

Authorizing Cards

1. Remove serialized RFID card included with your new box of cards.



2. Open the top coin door.
3. Hold down the Test button to enter the Diagnostic main menu.
4. Scroll down and select Utilities.
5. Scroll down and select Card Authorization.



6. Place the RFID card on the NFC scanner, which can be found near the Service Panel.
7. If the card is successfully scanned, you will hear a beep from the scanner and the text on screen will update accordingly.
8. Remove the used RFID card.
9. Exit diagnostic mode.
10. Close the coin door.

Troubleshooting

Warning: Review safety chapter before making any adjustments to game.

General Troubleshooting

Problem	Possible Cause	Solution
Game will not power up	Game not plugged in.	Plug game into outlet.
	Game not turned on.	Turn on main power switch.
	Game fuse is blown.	Check and replace fuse.
	Game power line circuit breaker tripped.	Check and reset game power line circuit breaker.
	No power to receptacle.	Test outlet and plug game into powered outlet.
	PC not turned on.	Ensure IEC cable tightly plugged in. Trace cable back to source to ensure continuity.
	PC BIOS set incorrectly.	Set PC BIOS to boot on power.

NO VIDEO message	Video cables not plugged in properly	Reattach and/or tighten video cable to monitor. Reattach and/or tighten video cable to PC.
	Faulty video cable	Replace video cable

No sound	Bad Connection	Check connection to speakers and amplifier board.
	Audio Cable Disconnected	Check audio cable and connection

Game does not load	Hard drive failure	Recover hard drive. See procedure on pg 23.
Hard drive test reports "bad" or "missing" files.		
Game fails to finish loading.		
After resetting, game still reports an error.		
Game suggests inserting a boot DVD.		
Erratic game mode or attract mode.		
<p style="text-align: center;">WARNING! Data Files Corrupted. (Game Operation May Become Unstable.) Use "Test" Switch to Enter Test Mode and Run "File Test." Press Start To Continue.</p>		

Game resets	Bad file.	Run File Test. Restore hard drive.
-------------	-----------	------------------------------------

Minecraft Dungeons Arcade Service Manual

Problem	Possible Cause	Solution
Coin meter does not click	No pulse to meter	Check all wiring from meter to I/O board
	Faulty meter	Replace coin meter
Exits Test Mode every 3 seconds	Test button stuck in ON position	Slide or toggle button off after Test Menu appears
<i>Dongle Not Present</i>	Dongle missing or disconnected	Find dongle usb connection and reseal in USB port
	Faulty USB port	Test dongle in another USB port
<i>Connect I/O Board or I/O Board Missing</i>	USB cable disconnected	Check USB connection from PC to I/O board
	Blown fuse	Check and replace fuse.
	No power to RIO2 board	Check for proper voltage (+12V) at RIO2 P1 connector
	Bad RIO2 Board	Replace RIO2 board with known functional board

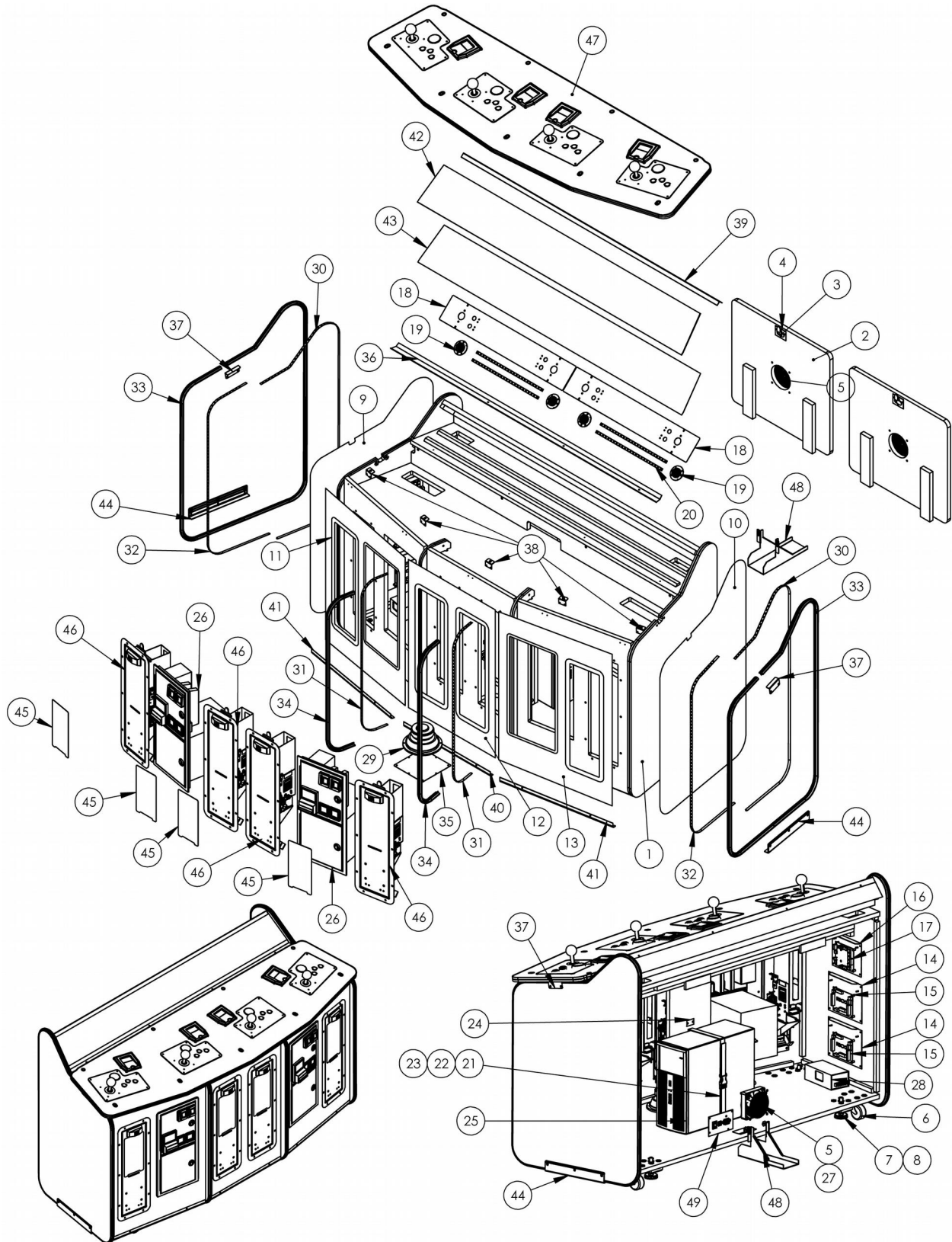
Online Troubleshooting

Problem	Possible Cause	Solution
Game cannot connect to CoinUp® server. No IP address appears under Test Connections menu	No broadband internet service	Contact a local ISP to setup either cable modem or DSL service.
	Wrong router configuration	Configure router for DHCP (Dynamic Host Configuration Protocol).
	Disconnected Ethernet cable	Check that Ethernet cables are tightly connected at both ends. An audible click confirms tightness. Reboot game. In Diagnostic mode, select Online, then Test Connection. Confirm that IP address appears. The phrase eth0 must follow IP address.
	Faulty Ethernet cable	Test cable by connecting it from another PC into router or wall jack. Replace cable if faulty.
	Faulty Ethernet wall jack.	Plug Ethernet cable into a different jack.
	Broadband service is down.	Contact ISP.
	Faulty router	Plug Ethernet cable into different jacks in router. Plug Ethernet cable directly into DSL or cable modem instead of router. Replace router if faulty.
	Faulty network card	Call CoinUp® service

Problem	Possible Cause	Solution
Game has IP address and screen says <i>Server Ping Success</i> but Test Connection screen reports Database Ping failure or File Server Ping failure.	Firewall is blocking communication with server.	Read firewall documentation. Ensure configuration allows ICMP Echo. If router has built-in firewall, check router configuration. Enable communication on ports 80, 443, 7786, and 7787.
	Database or File Server is down	Wait 30 minutes and revisit Test Connection screen. If still reporting failure, call CoinUp® service.

Parts

Minecraft - Four Player - Console Assembly

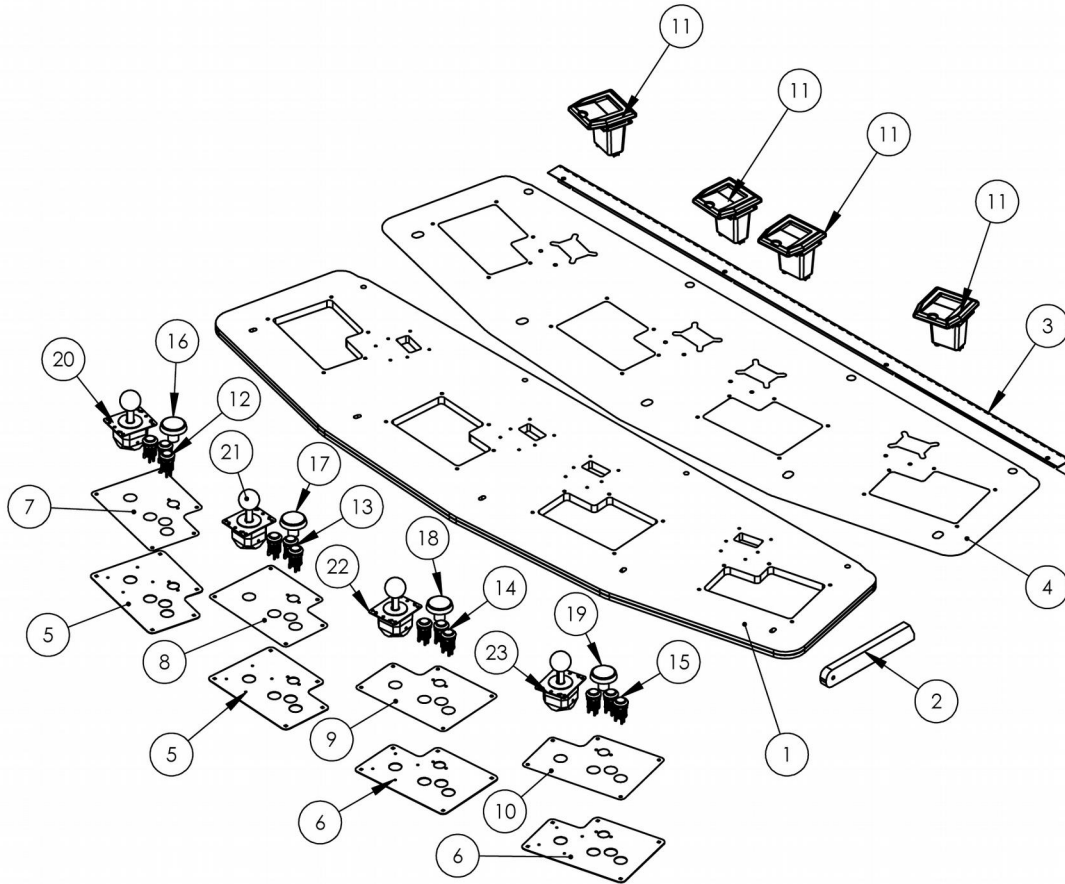


Minecraft Dungeons Arcade Service Manual

Minecraft – Four Player – Console Assembly Part Numbers

Item	Part No.	Description	QTY
1	601-00916-01	ASSY-WOOD-CONSOLE-MC-4P	1
2	601-00918-01	DOOR-PANEL-CONSOLE-MC-4P	2
3	Lock	LOCK STANDARD	2
4	LOCK RETAINER	LOCK RETAINER N202-130	2
5	800-00001-00	120mm Wire Fan Guard	4
6	Caster 2'5	2-1/2" CASTER	4
7	Leg Leveler	1/2-13 x 4" Length	4
8	Leg Leveler Plate	2.50 x 2.50 x 1/2-13 CTR – LEVELER PLATE	4
9	606-01852-01	DECAL-LEFT-CONSOLE-SIDE-MC-4P	1
10	606-01853-01	DECAL-RIGHT-CONSOLE-SIDE-MC-4P	1
11	606-01854-01	DECAL-LEFT-FRONT-CONSOLE-MC-4P	1
12	606-01855-01	DECAL-CENTER-FRONT-CONSOLE-MC-4P	1
13	606-01856-01	DECAL-RIGHT-FRONT-CONSOLE-MC-4P	1
14	600-02381-01	RIO2-MOUNT-PLATE-HALO-55	2
15	500-00199-05	RIO2-PCB-ASSY	2
16	600-02801-01	AUDIO-AMP-MOUNT-PLATE-MC-4P	1
17	500-00212-03	RIO2-AUDIO-AMPLIFIER-PCBA	1
18	600-02748-01	PLATE-LED-CP-MC-4P	2
19	500-00205-01	White LED Superpuck PCB-36LEDS	4
20	40CM LED STRIP (WHITE)	40CM LED STRIP (WHITE)	4
21	87425K76 (56 length)	Nylon Strip 0.075" Thick, 1" Width, Black	1
22	29705T86 (male)	Plastic Buckle for 1" Wide Web (male)	1
23	29705T86 (female)	Plastic Buckle for 1" Wide Web (female)	1
24	600-00891-01	Securing Nylon Strap Plate	1
25	Computer	Computer Assembly	1
26	800-00005-01	MID-WIDTH COINDOOR – BBHD	2
27	820-00001-00	FAN, 120VAC, 19/15W	1
28	330-00003-01	600W-12V-POWER-SUPPLY-MEANWELL	1
29	2-1-11-00-00-000	SPEAKER WOOFER-6.5" 4 OHM	1
30	105CM-RGB-LED-STRIP	105CM-RGB-LED-STRIP-MC-4P	2
31	100CM-RGB-LED-STRIP	100CM-RGB-LED-STRIP-MC-4P	2
32	75CM-RGB-LED-STRIP	75CM-RGB-LED-STRIP-MC-4P	2
33	603-00718-01	LED-TMOLDING-MC-4P-119IN	2
34	603-00718-01	LED-TMOLDING-INNER-SIDE-MC-4P-39.5IN	2
35	600-00616-01	GRILL-WOOFER	1
36	600-02742-01	RETAINER-CONSOLE-MC-4P	1
37	600-02743-01	CLIP-TMOLDING-MC-4P	2
38	600-02766-01	BRACKET-CP-MOUNT-MC-4P	5
39	600-02767-01	RETAINER-CONSOLE-TOP-MC-4P	1
40	600-02768-01	RETAINER-CENTER-CONSOLE-BASE-MC-4P	1
41	600-02769-01	RETAINER-LT-RT-CONSOLE-BASE-MC-4P	2
42	600-02791-01	PETG-CONSOLE-MC-4P	1
43	606-01869-01	TRANSLITE-CONSOLE-MC-4P	1
44	603-01002-01	TMOLDING-CLIP-12INCH-CLEAR	2
45	606-01866-01	MC-4P-CARD-DISPENSER-DECAL	4
46	CARD-DISPENSER-ASSY	CARD-DISPENSER-ASSY	4
47	CONTROL-PANEL-ASSY-MC-4P	CONTROL-PANEL-ASSY-MC-4P	1
48	600-02770-01	BRACKET-CABLE-COVER-MC-4P	1
49	POWER-PLATE-ASSY	AC-POWER-PLATE-ASSY	

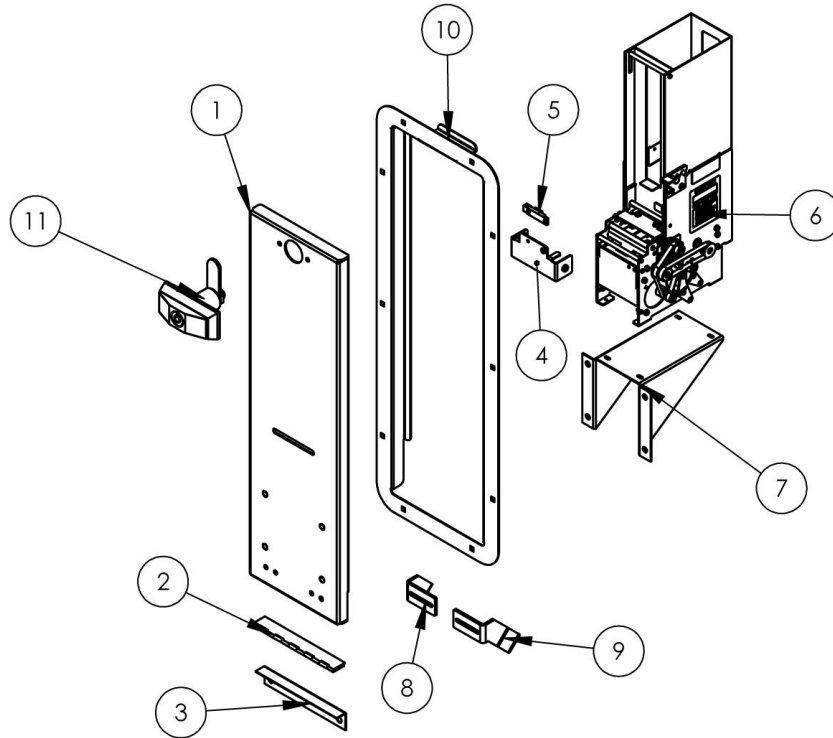
Minecraft – Four Player – Control Panel Assembly



Minecraft – Four Player – Control Panel Assembly Part Numbers

Item	Part No.	Description	QTY
1	601-00917-01	MC-4P-CONTROL-PANEL	1
2	601-00940-01	WOOD-PROP-ROD-PANEL-MC-4P	2
3	600-02741-01	HINGE-CONTROL-PANEL-MC-4P	1
4	606-01871-01	DECAL-CONTROL-PANEL-MC-4P	1
5	600-02739-01	PLATE-LEFT-CP-MC-4P	4
6	600-02740-01	PLATE-RIGHT-CP-MC-4P	4
7	606-01862-01	DECAL-PLAYER-1-CP-MC-4P	4
8	606-01863-01	DECAL-PLAYER-2-CP-MC-4P	4
9	606-01864-01	DECAL-PLAYER-3-CP-MC-4P	4
10	606-01865-01	DECAL-PLAYER-4-CP-MC-4P	4
11	CARD-READER-ASSY	CARD-READER-ASSY	4
12	702-00069-01	BLUE-STD-PUSHBUTTON-HAPP	3
13	702-00073-01	RED-STD-PUSHBUTTON-HAPP	3
14	702-00113-01	GREEN-STD-PUSHBUTTON-HAPP	3
15	702-00070-01	YELLOW-STD-PUSHBUTTON-HAPP	3
16	702-00114-01	Large Round BLUE IPD (.187 Gold SW, 6V White LED) w/ "BuyCardOnly" Legend	1
17	702-00115-01	Large Round RED IPD (.187 Gold SW, 6V White LED) w/ "BuyCardOnly" Legend	1
18	702-00116-01	Large Round GREEN IPD (.187 Gold SW, 6V White LED) w/ "BuyCardOnly" Legend	1
19	702-00117-01	Large Round YELLOW IPD (.187 Gold SW, 6V White LED) w/ "BuyCardOnly" Legend	1
20	800-00080-01	49-WAY-JOYSTICK-CATAPULT-BLUE-KNOB	1
21	800-00081-01	49-WAY-JOYSTICK-CATAPULT-RED-KNOB	1
22	800-00082-01	49-WAY-JOYSTICK-CATAPULT-GREEN-KNOB	1
23	800-00083-01	49-WAY-JOYSTICK-CATAPULT-YELLOW-KNOB	1

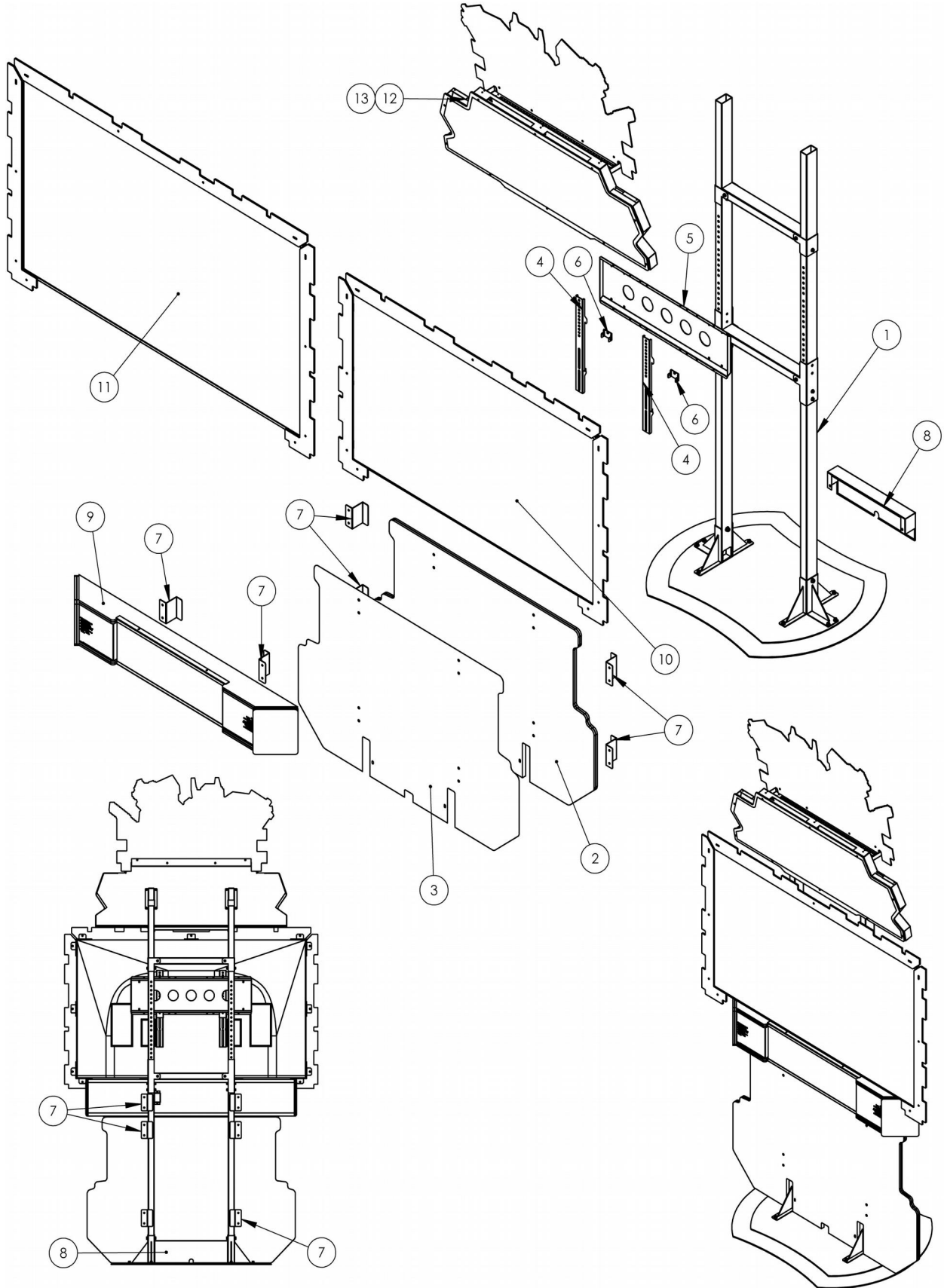
Minecraft – Four Player – Card Dispenser Assembly



Minecraft – Four Player Card Dispenser Assembly Part Numbers

Item	Part No.	Description	QTY
1	Extended Card Dispenser Door	Card Dispenser Door	1
2	Extended Card Dispenser Hinge	Hinge .090 Pin – Card Dispenser (Door)	1
3	608-00229-01 Mounting Flange	Card Dispenser – Mounting Flange	1
4	600-02387-01	Sensor Bracket for CD-1300-340	1
5	500-00246-01	Reflective Optical Sensor Unit	1
6	800-00067-00	CD-1300 Card Dispenser w/ 340 Cassette	1
7	600-02073-01	Card Dispenser Mounting Plate	1
8	600-02062-01	Card Dispenser Left Stop Bracket	1
9	600-02061-01	Card Dispenser Right Stop Bracket	1
10	600-02060-01	Extended Card Dispenser Door Frame Plate	1
11	604-00036-01	T-HANDLE-LOCK-ASSY	1

Minecraft - Four Player - 65" LCD Stand Assembly

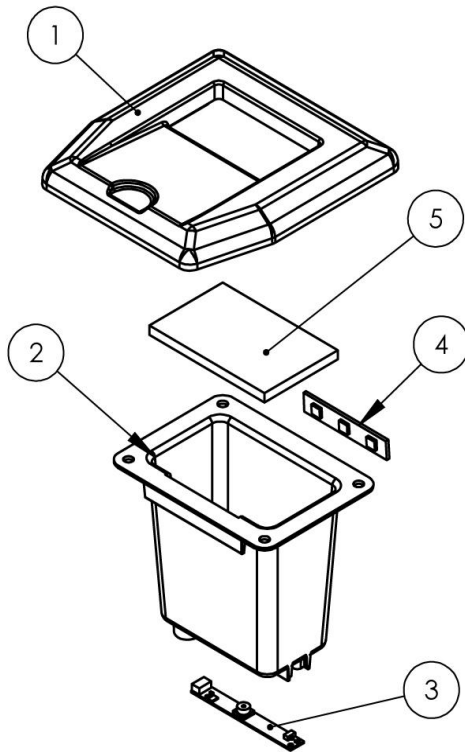


Minecraft Dungeons Arcade Service Manual

Minecraft – Four Player – 65” LCD Stand Assembly Part Numbers

Item	Part No.	Description	QTY
1	UNIVERSAL-LCD-STAND-ASSY	UNIVERSAL-LCD-STAND-ASSY	1
2	601-00920-01	PANEL-GRAPHIC-MC-4P	1
3	606-01857-01	DECAL-BELOW-LCD-MC-4P	1
4	600-00751-01	BRKT-UNIV VERT LCD MOUNT	4
5	600-00752-01	BRKT-UNIV HORZ LCD MOUNT	1
6	600-00760-01	CLIP-UNIV LCD MOUNT	2
7	600-02420-01	MARQUEE-CINCH-BRACKET	6
8	600-02749-01	BRACKET-POWER-MC-4P	1
9	MC-4P-SPEAKER-BOX-ASSY	MC-4P-SPEAKER-BOX-ASSY	1
10	MC-4P-65-LCD-ASSY	MC-4P-65-LCD-ASSY	1
11	MC-4P-75-LCD-ASSY	MC-4P-75-LCD-ASSY	1
12	MC-4P-65-MARQUEE-ASSY	MC-4P-65-MARQUEE-ASSY	1
13	MC-4P-75-MARQUEE-ASSY	MC-4P-75-MARQUEE-ASSY	1

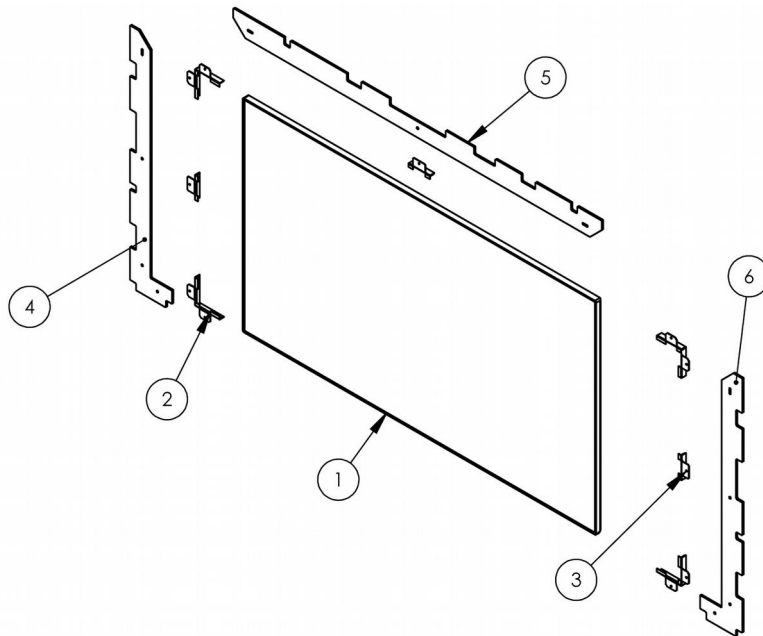
Minecraft – Four Player – Card Reader Assembly



Minecraft – Four Player Card Reader Assembly Part Numbers

Item	Part No.	Description	QTY
1	603-00854-01	Card Reader Bezel	1
2	603-00855-01	Card Reader Camera Holder	1
3	500-00213-01	Card Reader Webcam (10CM focus) – CM-020-10CM	1
4	500-00162-01 (5 CM)	White Flexible LED Tape, w/ FOAM	1
5	600-02072-01	Card Reader Glass	1

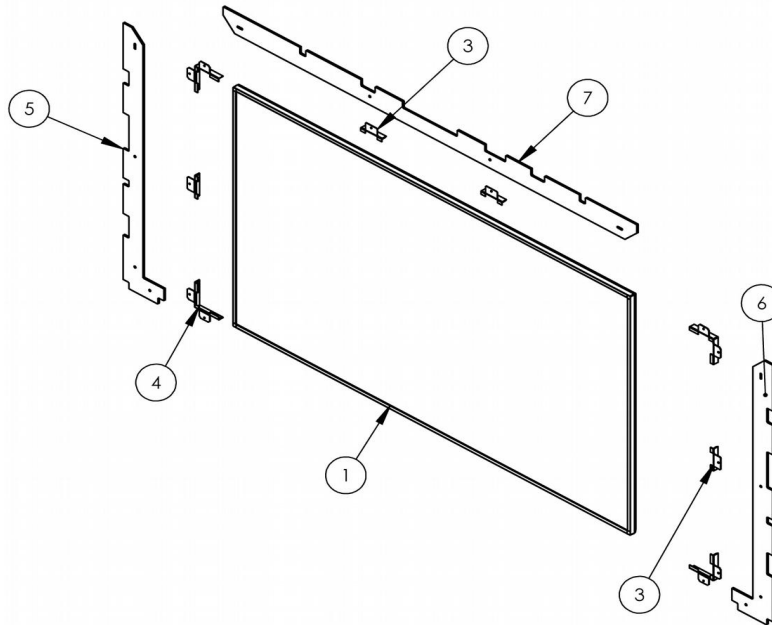
Minecraft – Four Player – 65” LCD Assembly



Minecraft – Four Player – 65” LCD Assembly Part Numbers

Item	Part No.	Description	QTY
1	65-LCD-SAMSUNG	65”LCD-SAMSUNG	1
2	600-02429-01	Corner LED Bracket	4
3	600-02428-01	Center LED Bracket	3
4	606-01860-01	SINTRA-LCD-LEFT-VERT-BEZEL-MC-4P	1
5	606-01861-01	SINTRA-LCD-HORZ-BEZEL-MC-4P	1
6	606-01885-01	SINTRA-LCD-RIGHT-VERT-BEZEL-MC-4P	1

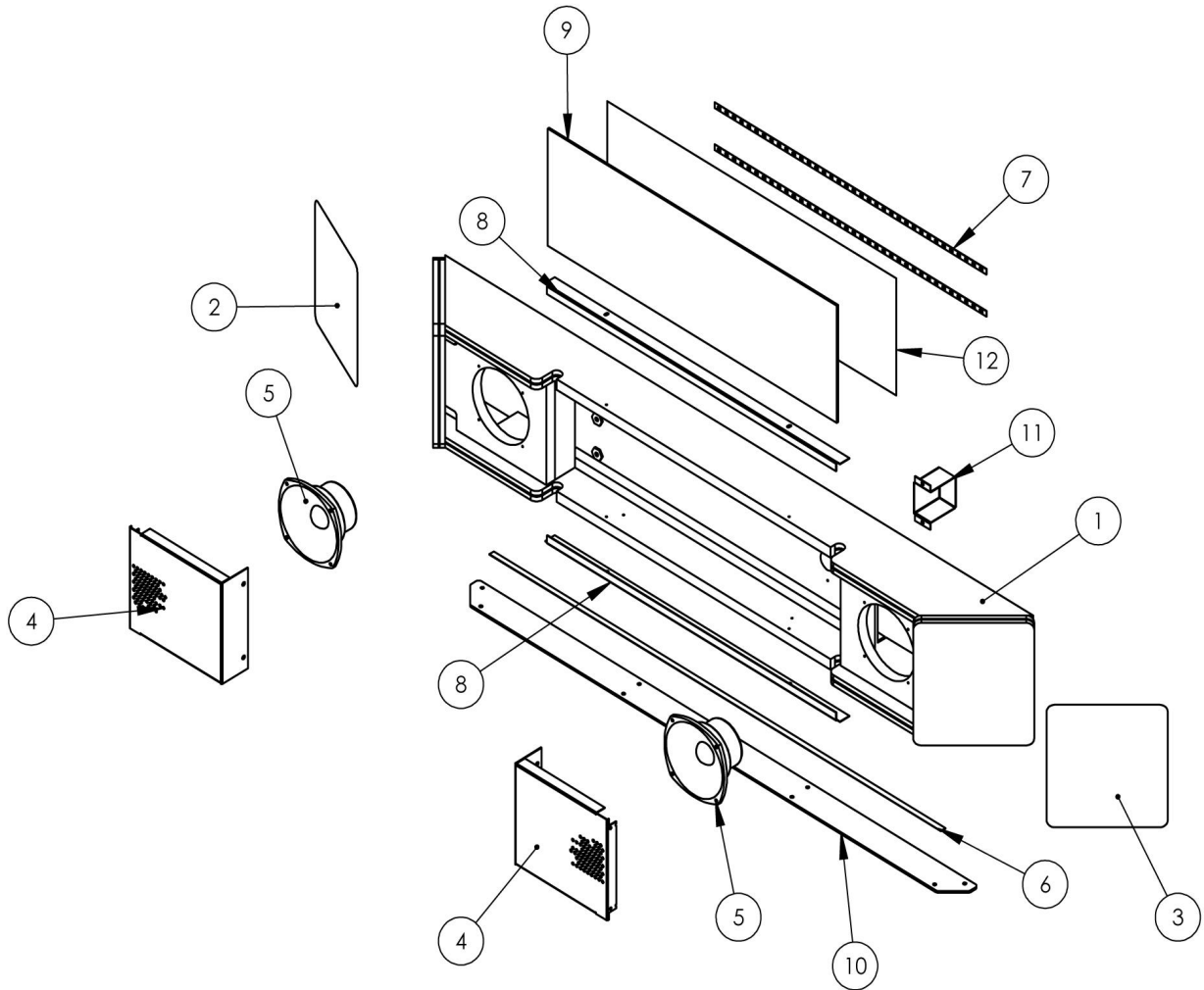
Minecraft – Four Player – 75” LCD Assembly



Minecraft – Four Player – 65” LCD Assembly Part Numbers

Item	Part No.	Description	QTY
1	QBR-QMR75-MINECRAFT	SAMSUNG-75-LCD	1
2	600-00751-01	BRKT-UNIV VERT LCD MOUNT	2
3	600-02428-01	Center LED Bracket	4
4	600-02429-01	Corner LED Bracket	4
5	606-01948-01	SINTRA-LEFT-LCD-BEZEL-MC-4P-75	1
6	606-01949-01	SINTRA-RIGHT-LCD-BEZEL-MC-4P-75	1
7	606-01950-01	SINTRA-TOP-LCD-BEZEL-MC-4P-75	1

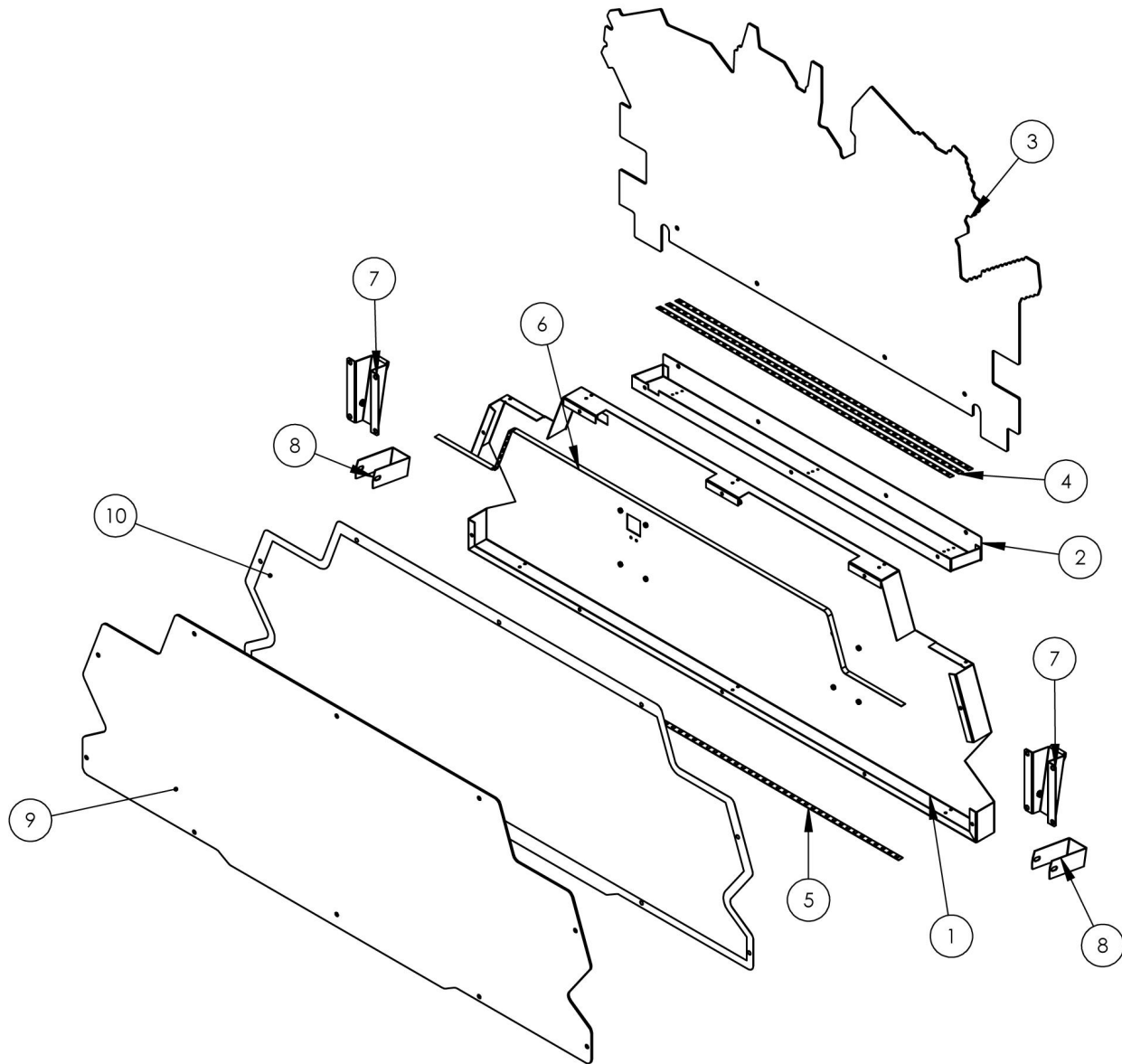
Minecraft – Four Player – Speaker Box Assembly



Minecraft – Four Player – Speaker Box Assembly Part Numbers

Item	Part No.	Description	QTY
1	601-00919-01	ASSY-WOOD-SPEAKER-BOX-MC-4P	1
2	606-01858-01	DECAL-LEFT-SPEAKER-SIDE-MC-4P	1
3	606-01859-01	DECAL-RIGHT-SPEAKER-SIDE-MC-4P	1
4	600-02751-01	GRILL-SPEAKER-MC-4P	2
5	2-1-10-00-00-000	5.25 FULL RANGE SPEAKER	2
6	100 cm LED Strip (WHITE)	100cm LED Strip (WHITE)	1
7	60CM-WHITE-LED-STRIP	60cm LED Strip (WHITE)	2
8	600-02750-01	RETAINER-SPEAKERBOX-MC-4P	2
9	600-02793-01	PETG-SPEAKER-BOX-MC-4P	1
10	600-02794-01	PETG-SPEAKER-BOX-BASE-MC-4P	1
11	600-02795-01	CABLE-COVER-SPEAKERBOX-MC-4P	1
12	606-01868-01	TRANSLITE-BELOW-LCD-NC-4P	1

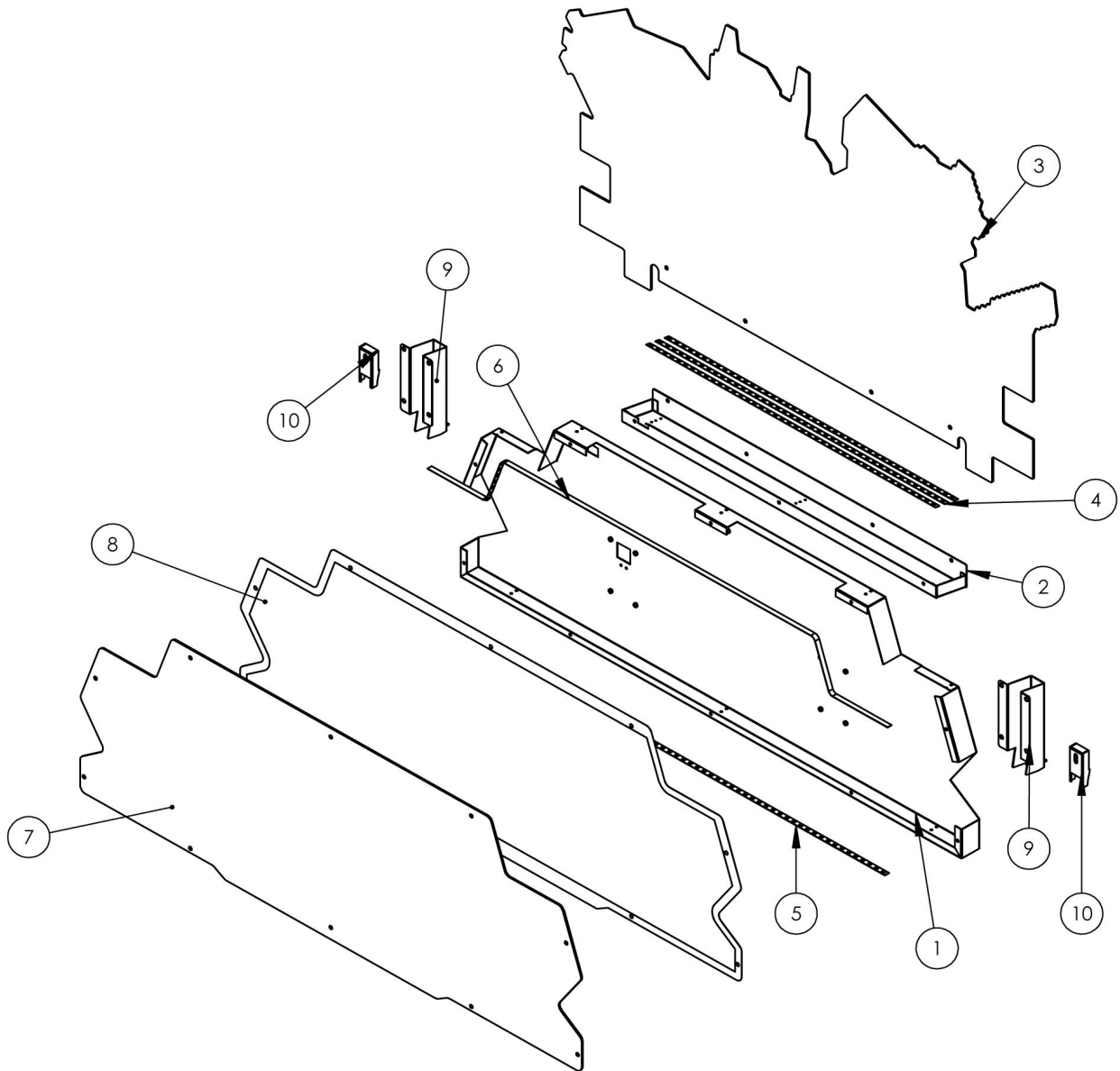
Minecraft – Four Player – 65” Marquee Assembly



Minecraft – Four Player – 65” Marquee Assembly Part Numbers

Item	Part No.	Description	QTY
1	600-02744-01	LIGHTBOX-MARQUEE-MC-4P	1
2	600-02745-01	BRACKET-UPLIGHT-MC-4P	1
3	606-01872-01	PETG-SCREENED-MARQUEE-MC-4P	1
4	70CM LED STRIP	70cm LED Strip (WHITE)	3
5	100cm LED Strip (White)	100cm Flexible LED Strip (White)	1
6	160CM-RGB-LED-STRIP	WHITE-LED-STRIP-MARQUEE-MC-4P	1
7	600-02746-01	BRACKET-MARQUEE-MOUNT-MC-4P	2
8	600-02747-01	STRAP-TUBE-MARQUEE-MC-4P	2
9	600-02792-01	PETG-MARQUEE-MC-4P	1
10	606-01867-01	TRANSLITE-MARQUEE-MC-4P	1

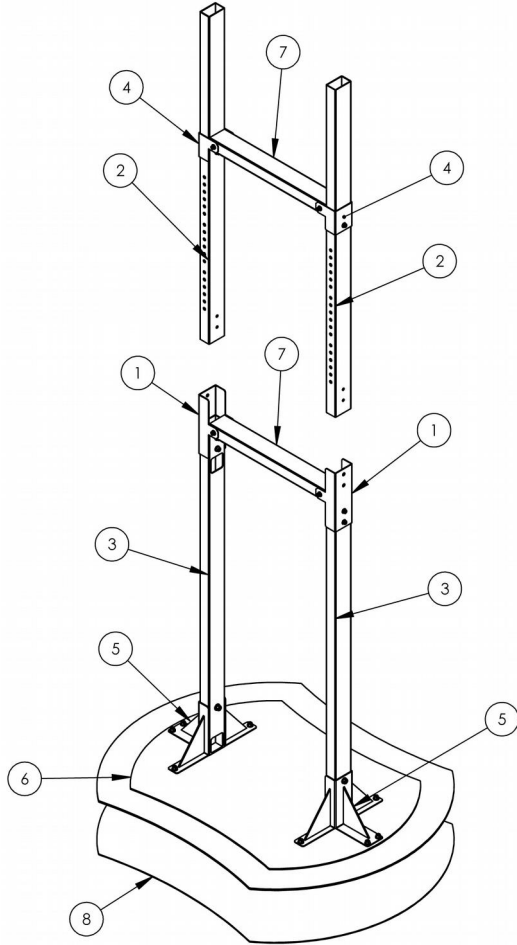
Minecraft – Four Player – 75” Marquee Assembly



Minecraft – Four Player – 75” Marquee Assembly Part Numbers

Item	Part No.	Description	QTY
1	600-02744-01	LIGHTBOX-MARQUEE-MC-4P	1
2	600-02745-01	BRACKET-UPLIGHT-MC-4P	1
3	606-01947-01	PETG-SCREENED-MARQUEE-MC-4P-75	1
4	70CM LED STRIP	70cm LED Strip (WHITE)	3
5	110cm LED Strip (White)	110cm Flexible LED Strip (White)	1
6	160CM-RGB-LED-STRIP	WHITE-LED-STRIP-MARQUEE-MC-4P	1
7	600-02792-01	PETG-MARQUEE-MC-4P	1
8	606-01867-01	TRANSLITE-MARQUEE-MC-4P	1
9	600-02843-01	BRACKET-MARQUEE-MOUNT-MC-4P-75	2
10	600-02844-01	STRAP-TUBE-MARQUEE-MC-4P-75	2

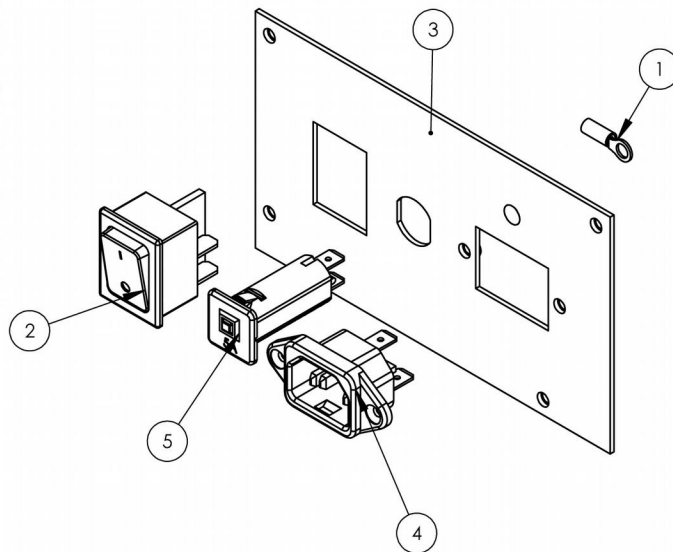
Minecraft – Four Player – LCD Stand Assembly



Minecraft – Four Player LCD Stand Assembly Part Numbers

Item	Part No.	Description	QTY
1	600-00985-01	TUBE-JOINER	2
2	600-00986-01	UPPER-TUBE	2
3	600-00987-01	LOWER-TUBE	2
4	600-00988-01	UPPER-BRACKET	2
5	600-00989-01	WELDED-TUBE-SUPPORT	2
6	600-00990-01	STAND-BASE	1
7	600-00991-01	CROSS-TUBE	2
8	600-00994-01	RUBBER-BASE-PAD	1

Minecraft – Four Player Power Plate Assembly



Minecraft – Four Player – Power Plate Assembly Part Numbers

Item	Part No.	Description	QTY
1	Ring and Spade Tongue Terminal	Ring and Spade Tongue Terminal (#8 screw)	1
2	1832-33-12	AC-SWITCH-15AMP-125V-HEILAND-ELECT	1
3	600-01681-01	PLATE, AC – LINE FILTER, CIRCUIT BREAKER, ON/OFF SW	1
4	Power Inlet Receptacle	IEC Appliance Inlet, Screw-on Mounting, Front Side, Quick-connect 10A	1
5	T9-611-5A	5A-Circuit Breaker, Snap-in type, Fuseholder style, 1 pole (Schurter #4404.0007)	1

System Diagrams

TO: Console Marquee (PAGE-4)
[Console Marquee]

FROM: PC (PAGE-5)
[AUDIO]

TO: Lower Marquee (PAGE-3)
[Lower Marquee]

TO: PC (PAGE-5)
[PC]

TO: PC (PAGE-5)
[PC]

TO: PC (PAGE-5)
[PC]

TO: PC (PAGE-5)
[PC]

TO: PC (PAGE-5)
[PC]

TO: PC (PAGE-5)
[PC]

TO: PC (PAGE-5)
[PC]

TO: PC (PAGE-5)
[PC]

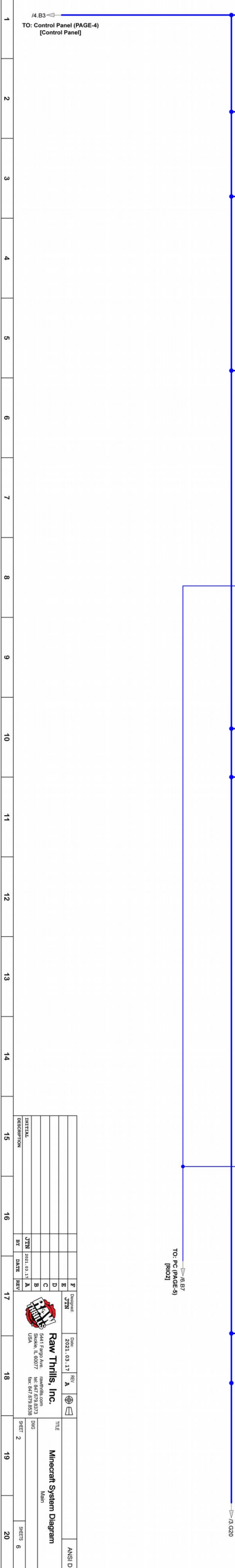
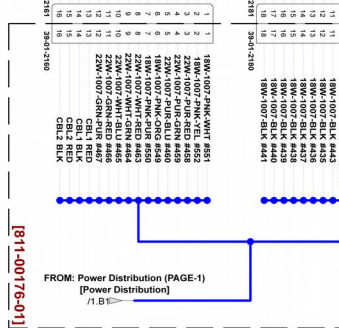
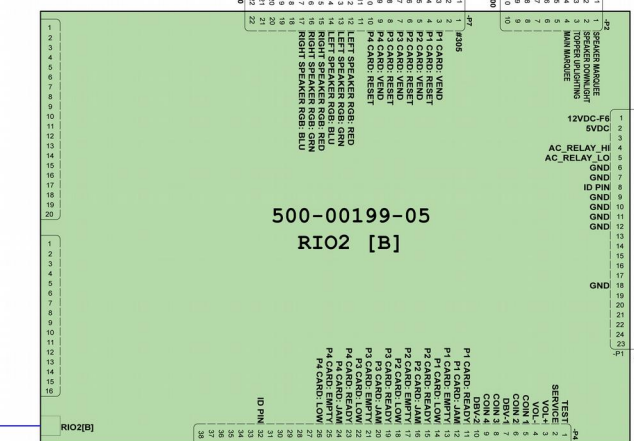
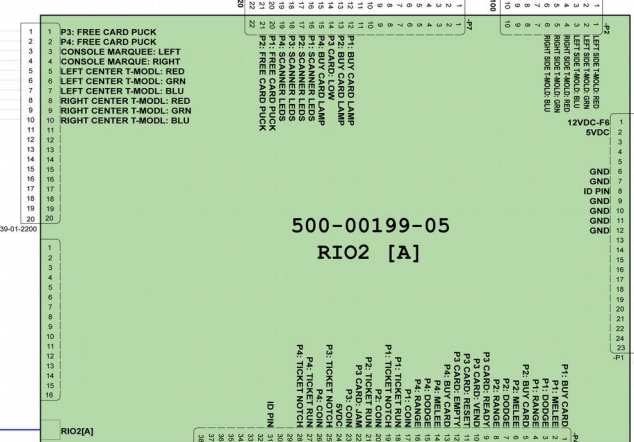
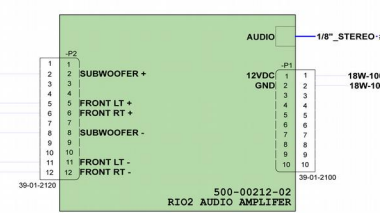
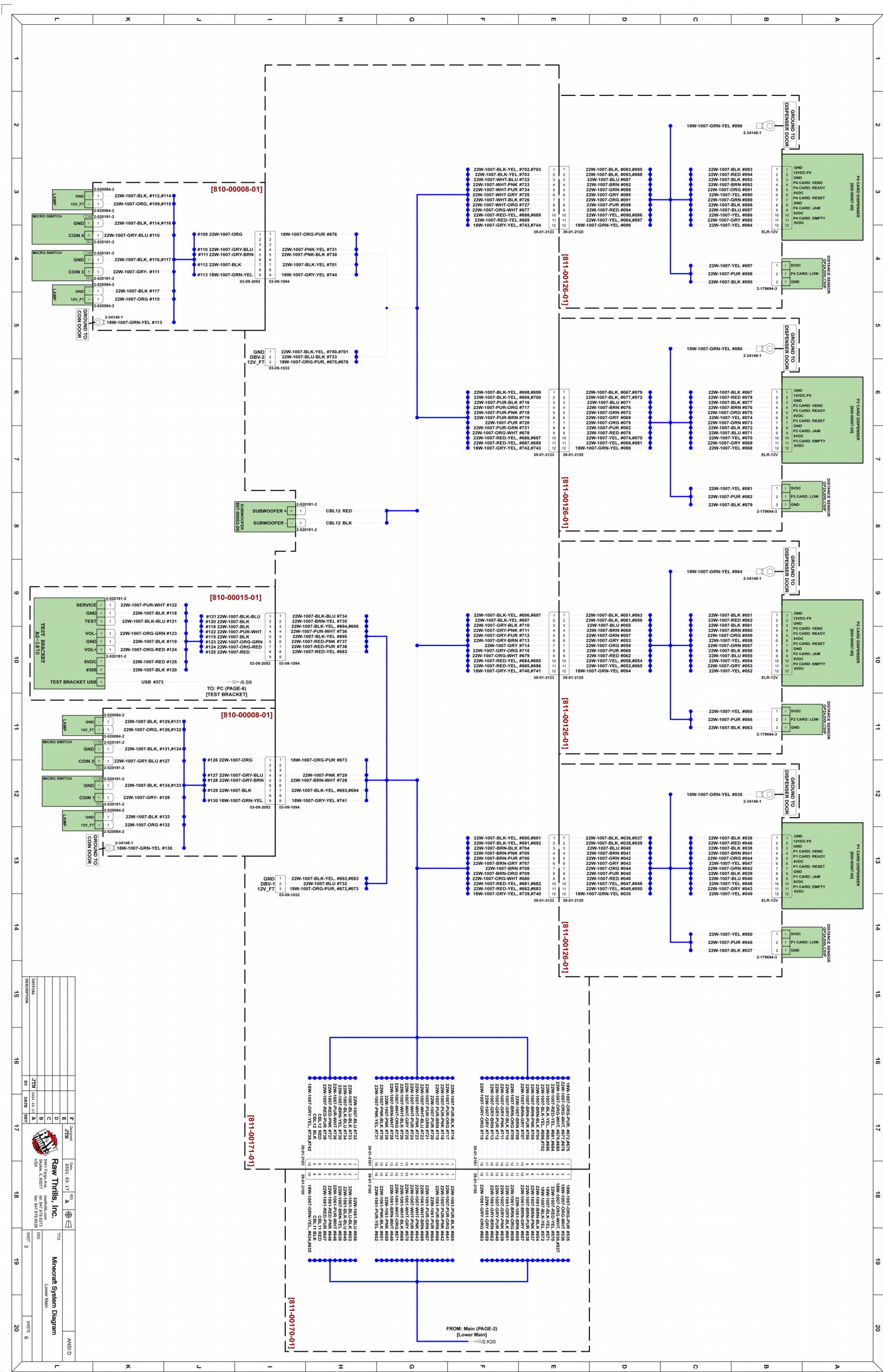
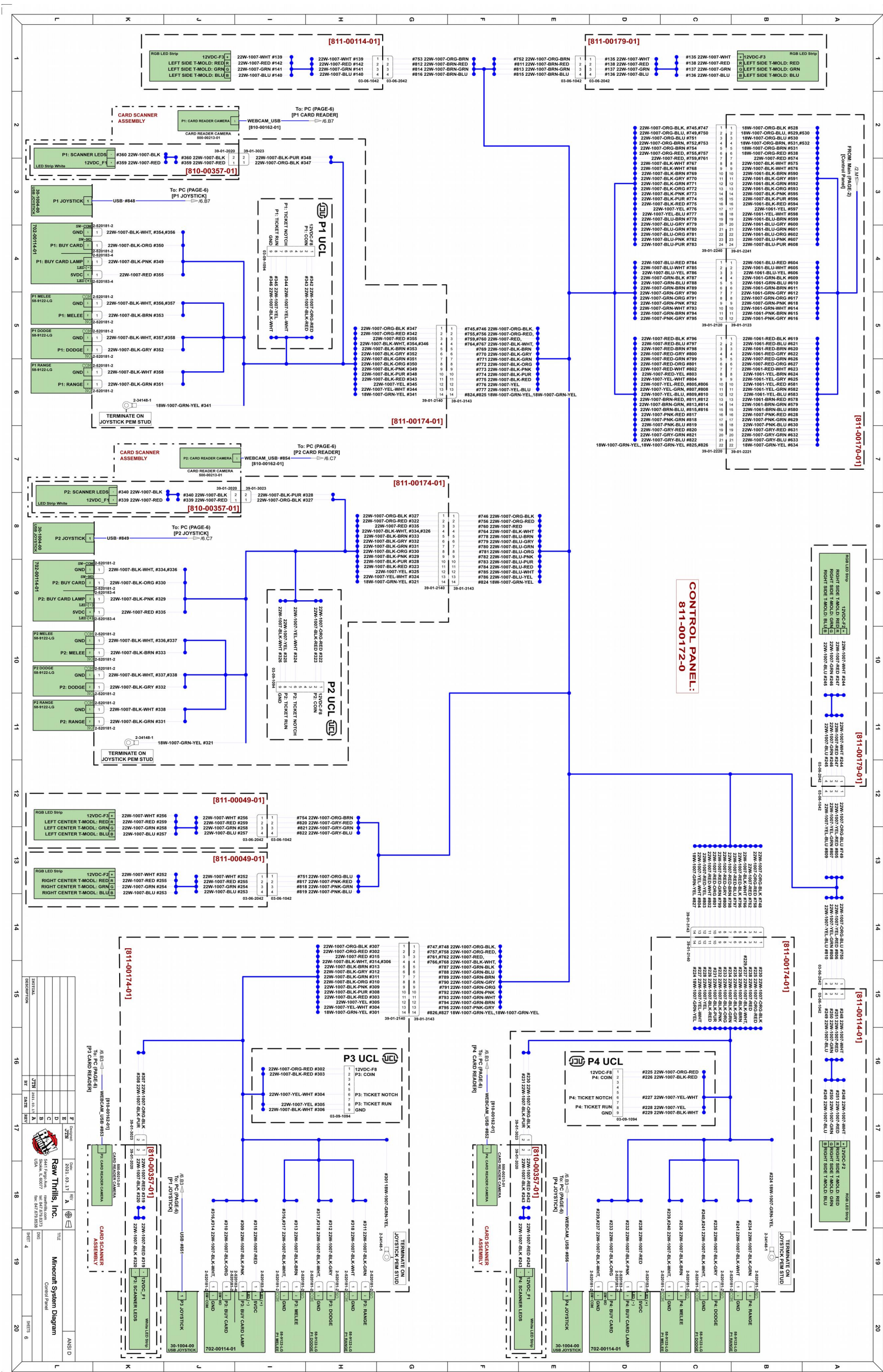
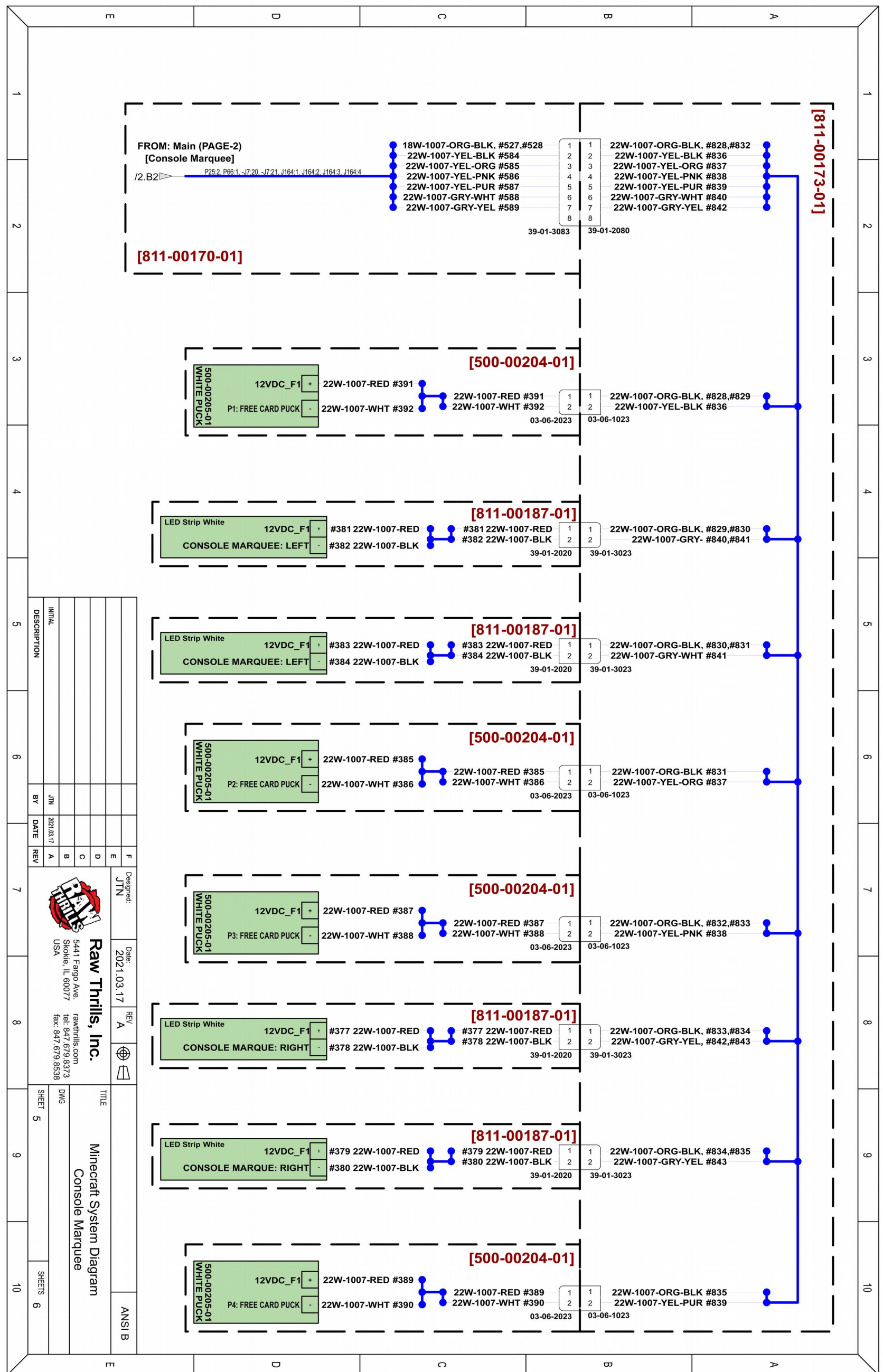


Table with 10 columns: DRAWING NO., DATE, DESIGNED BY, CHECKED BY, APPROVED BY, PART NO., QTY, UNIT, COMMENTS, REVISIONS.

Raw Thins, Inc. logo and contact information: 5451 Fwy Ave, Rawlins, WY 82050, Phone: 307-847-8333.



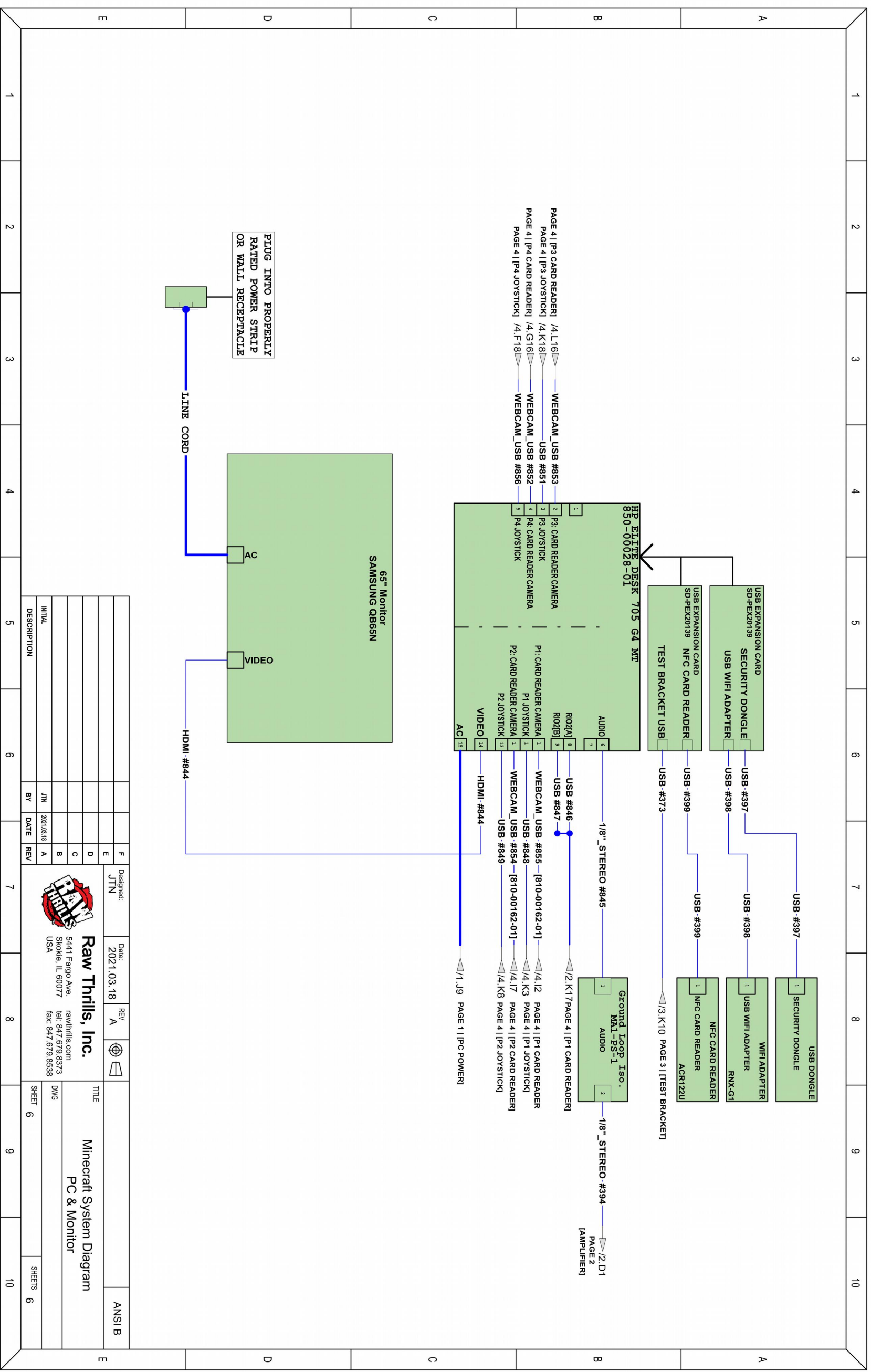





DESCRIPTION	INITIAL	BY	DATE	REV
		JTN	2021.03.17	A

Designed: JTN	Date: 2021.03.17
REV A	

Raw Thrills, Inc. 5441 Fargo Ave. Skokie, IL 60077 USA rawthrills.com tel: 847.679.8373 fax: 847.679.8538	
TITLE	ANSI B
Minecraft System Diagram	
Console Marquee	
DWG	
SHEET 5	SHEETS 6



DESIGNER	JTN	DATE	2021.03.18	REV	A	ANSI B
DATE	2021.03.18	REV	A			
BY	JTN	DATE	2021.03.18	REV	A	
DESCRIPTION						
 Raw Thrills, Inc. 5441 Fargo Ave. Skokie, IL 60077 USA rawthrills.com tel: 847.679.8373 fax: 847.679.8538						
TITLE						ANSI B
Minecraft System Diagram						
PC & Monitor						
SHEET 6					SHEETS 6	

Contact Information

For an authorized distributor near you, visit Raw Thrills at <http://www.rawthrills.com/sales-service>

For service, contact your local distributor or your local Betson office for sales, technical information, warranty or repair. Betson can be reached at (800) 524-2343 Fax (201) 438-4837 www.betson.com

Betson Enterprises Headquarters

303 Paterson Plank Rd.

Carlstadt, NJ 07072

(800) 524-2343 or (201) 438-1300

fax (201) 438-4837