



Minecraft Dungeons Arcade

Two Player

Setup and Operation Service Manual

Revision MC2p-1.01-4.11.24



© 2021 Mojang AB. All Rights Reserved. Minecraft, Minecraft Dungeons, the Minecraft logo, and Mojang are trademarks of the Microsoft group of companies.

This software is based in part on the work of the Independent JPEG Group.

This product includes software developed by the OpenSSL Project for use in the OpenSSL Toolkit. (<http://www.openssl.org/>)

This product includes cryptographic software written by Eric Young (eay@cryptsoft.com)

This product includes audio software developed by FMOD Studio. (<https://www.fmod.com/>)

Table of Contents

Safety.....	3
Product Specifications.....	5
Fuse Replacement Guide.....	5
Setup.....	6
Game Software Setup.....	9
Online Registration.....	9
Maintenance.....	10
Troubleshooting.....	16
Online Troubleshooting.....	18
Parts.....	19
Contact Information.....	28
System Diagrams.....	28



Safety

OPERATION

Before operating game, read this manual. Failure to properly install and operate this game could result in malfunction or accident. Operate the game in accordance with the manual.

TRANSPORTING

Cabinet is very heavy and contains fragile components. Use appropriate care when moving or transporting cabinet. Avoid rough handling.

HANDLING COMPONENTS

Many components are extremely sensitive to handling, environmental and Electrostatic Discharge (ESD) events—especially the computer. Do not handle it roughly. Before servicing, call your distributor and inquire about the PC warranty. Use proper ESD procedures when servicing. Protect components from harmful environmental conditions, such as extreme temperatures, excessive moisture or other damaging effects.

DISCONNECT POWER

Always turn off power and unplug the units before servicing or making adjustments, unless otherwise instructed. Installing or repairing components while power is on can damage the components and void the warranty.

GROUNDING

Avoid electrical shock. Do not plug in AC power until you have inspected and properly grounded the unit. Only plug into a grounded, three-wire outlet. Do not use a “cheater” plug or cut off the ground pin on the line cord.

ELECTRICAL SHOCKS

There is no isolation transformer in the cabinet. Disconnect AC power before servicing. However, be aware that lethal voltages can remain in the electronic components even when AC power is disconnected. Use extreme caution when servicing. Verify that there is a working ground connection. If the unit sustains water damage, cease using it immediately and unplug AC power.

MONITOR

The monitor contains no user serviceable parts. Do not attempt to service the monitor.

POWER CORD

If the power cord is damaged or lost, replace it with an identical cord as supplied by the manufacturer or an authorized service agent.

SURGE SUPPRESSOR

It is recommended that you plug your game’s power cord into a surge suppressor to help protect from power surges that may damage sensitive electronic components.

WATER AND OTHER LIQUID

Do not install game near sprinkler or other water jet sources. Do not use water jet to clean game. Keep minimum clearance behind game and wall for proper ventilation but also prevent access of liquid from spills and sprays from entering ventilation holes.

Minecraft Dungeons Arcade Service Manual

CONNECTORS

Ensure all connectors mate properly. If connectors do not slip in easily, do not force them. Connectors are often keyed and only connect one way. Check for correct orientation.

COMPUTER

The computer contains sensitive components, including a hard drive. Do not handle it roughly. Call your distributor before servicing its internal components. Ask about warranty information as it relates to the PC.

Cycle AC power on or off with the cabinet power switch.

A dongle has been inserted into one of the USB ports. This is required for game play.

Do not remove the dongle except for troubleshooting purposes.

TEMPERED GLASS WARNING

When handling the LCD display glass cover take special care and set the glass down softly on a flat surface free of debris. The edge of the glass is sensitive to hard impact. Shattered glass from the monitor can travel long distances and cause bodily injury. Use proper procedures when handling broken materials.

HAZARD TO EPILEPTICS

A small portion of the population has an epileptic condition that may cause seizures. Affected persons experience seizure while watching some television pictures or playing certain video games. People who have not had seizures may still have an undetected epileptic condition. If anyone in your family has experienced epilepsy symptoms (seizures or loss of awareness), consult your physical before using video games. While children play video games, a parent should observe. Be alert to the following symptoms: dizziness, altered vision, eye or muscle twitching, involuntary movements, loss of awareness, disorientation or convulsions. If you or your child experiences these symptoms, discontinue use immediately and consult your physician.

MANUAL

Keep this manual available and ready for use. If the game fails to function properly, turn off the machine and unplug the AC line cord. Contact your local distributor. You may not reproduce this document or any of its contents without written authorization from Raw Thrills™, Inc. or PlayMechanix™ Inc.

SPECIFICATIONS

For reasons such as performance, this product's specifications may change without notice. Federal patent, copyright and other intellectual property laws protect the content, devices and design of the game and its equipment.

Product Specifications

Electrical Power

United States, Canada (ETL)

Voltage: 120VAC, 60 Hz

Operating AC Current: 5 Amps

International (CE)

Voltage: 230VAC, 50/60 Hz

Operating AC Current: 2.5 Amps

Temperature

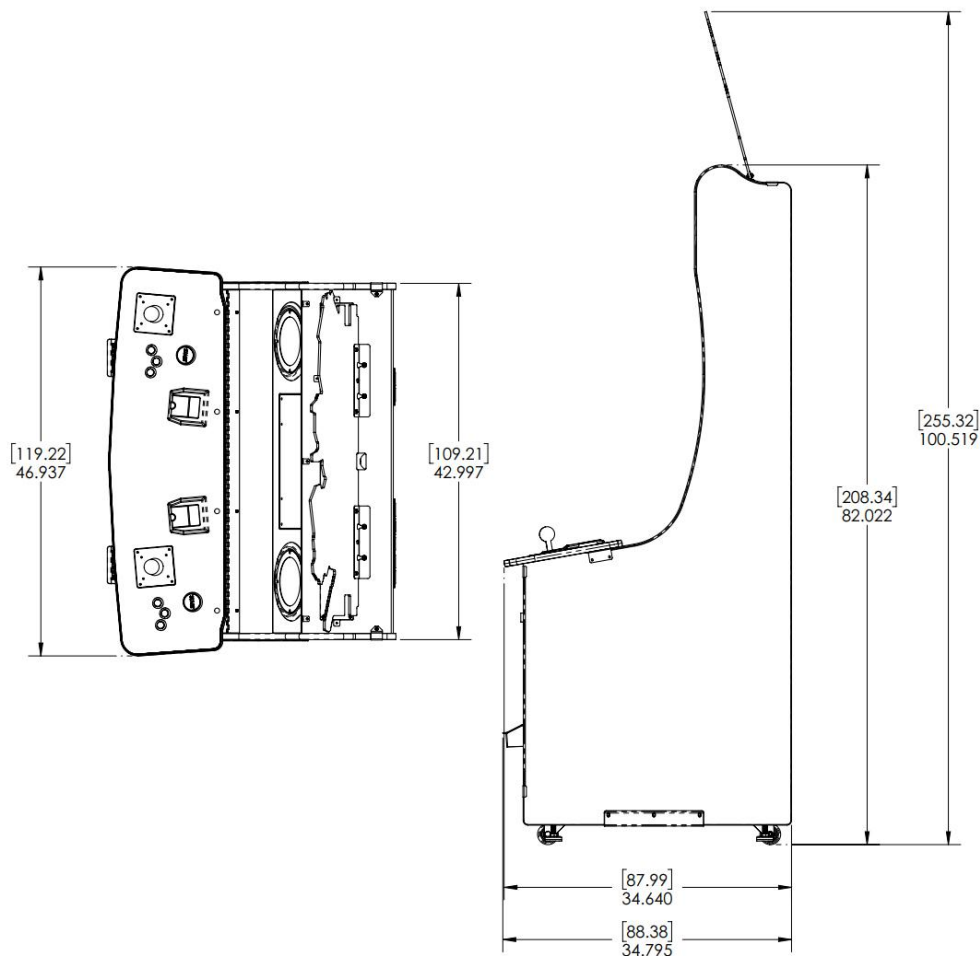
32° to 100° Fahrenheit (0° to 38° Celsius)

Humidity

Must not exceed 95% relative humidity

Cabinet Dimensions

Height	Width	Depth
100.519" (255.32 cm)	46.937" (119.22 cm)	34.795" (88.38 cm)



Fuse Replacement Guide

NOTE: FOR CONTINUED PROTECTION AGAINST FIRE AND ELECTRICAL DAMAGE, USE ONLY SPECIFIED FUSE TYPE AND VALUE.

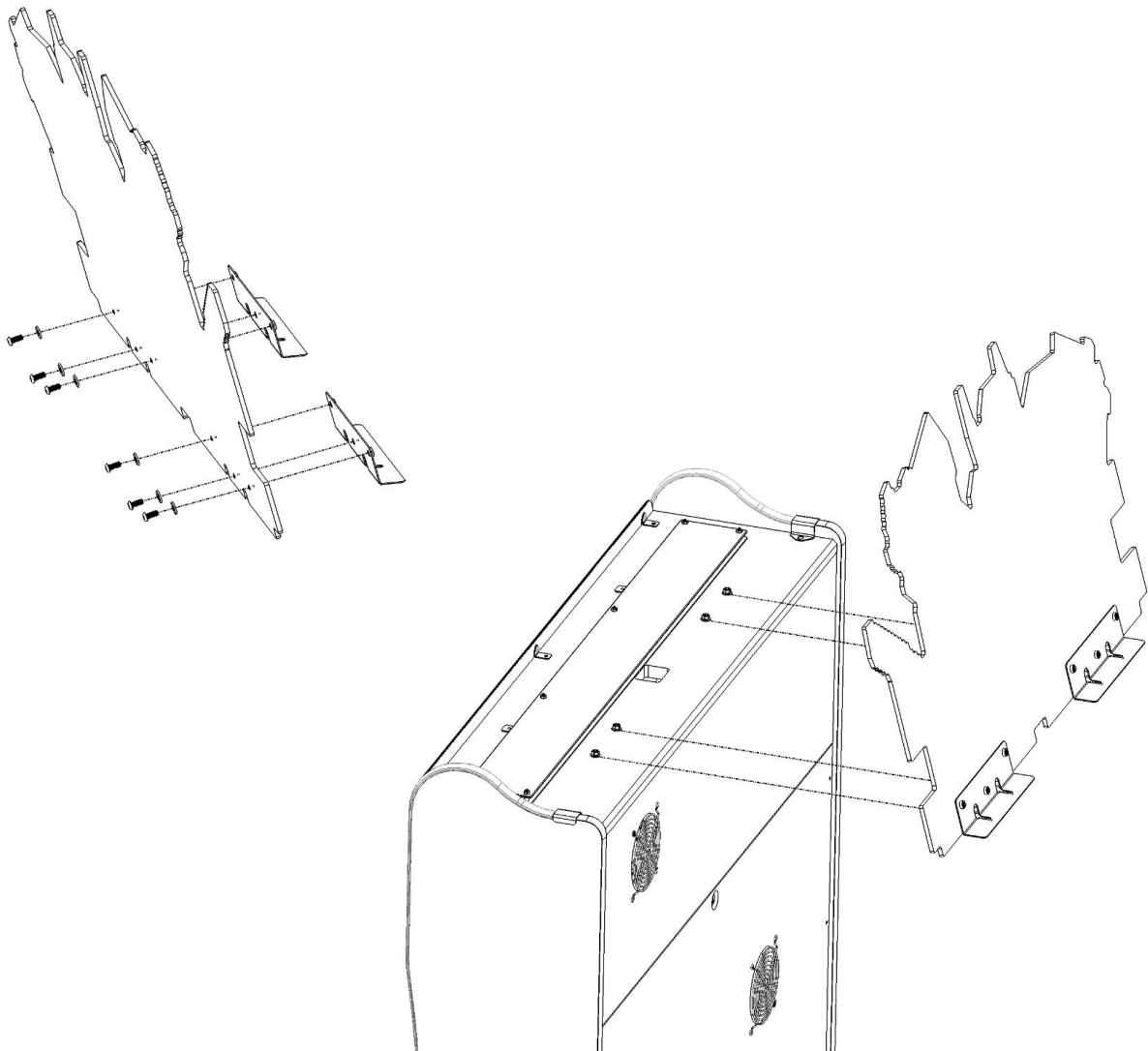
Please see unit for specified fuse labeling. Abbreviations:

5A 250V	5A, 250VAC Fast Acting 3AG Fuse	Littlefuse 0312005.MXP (or equivalent)
---------	---------------------------------	--

Setup

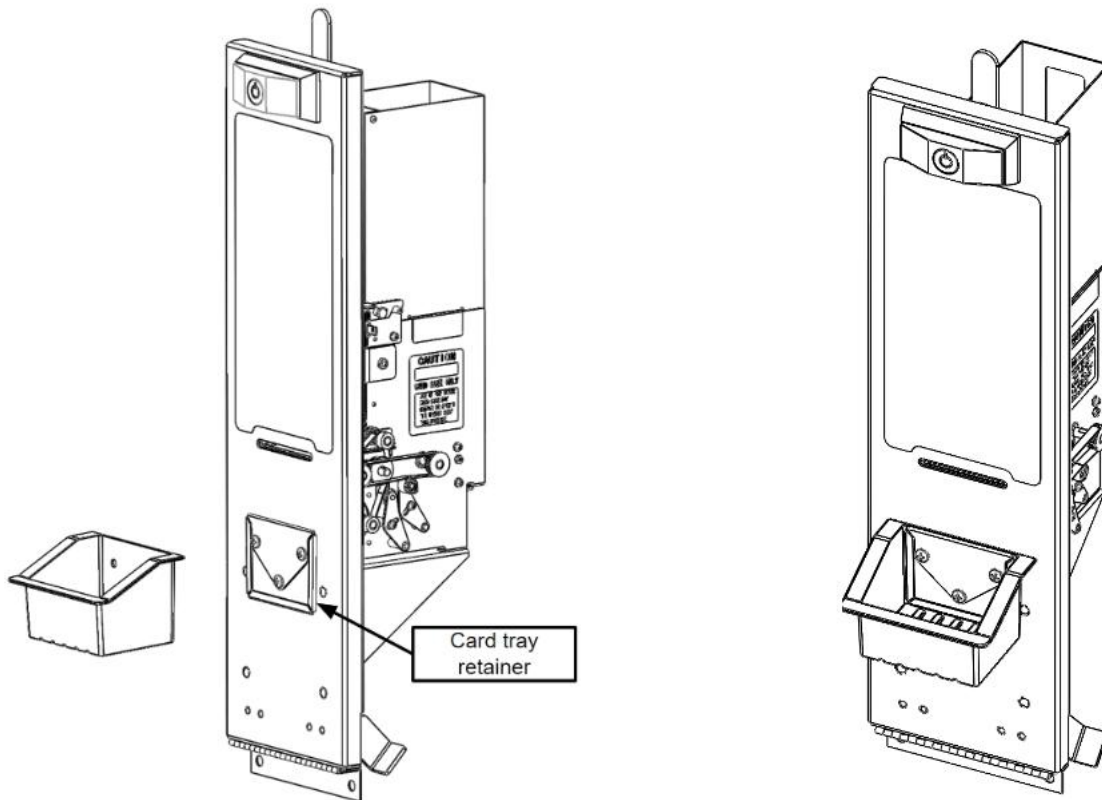
1. Install Cabinet Topper

1. Place cabinet in desired floor location.
2. Locate the upper marquee and the (2) upper marquee mounting brackets, as well as the following hardware:
 - a. (6) Black steel washers for 1/4" screw
 - b. (6) Black tamper proof Torx machine screws, 1/4"-20 thread size, 5/8" long
3. Attach the brackets to the back of the upper marquee using the hardware and a T-27 Torx security bit.
4. Locate the (4) flanged hex head screws on the top of the cabinet and unscrew them so they are offset from the top surface by about 1/8".
5. Lift the upper marquee sub-assembly, rest it on the back of the top of the cabinet, and slide it forward such that the flanged hex head screws pass through the upper marquee sub-assembly, and make contact with the end of the slots in the bottom of the brackets.
6. Tighten the (4) flanged hex head screws using a 3/8" socket to secure the marquee.



2. Install Card Dispenser Trays

1. Locate the (2) card trays.
2. Remove the (3) screws holding the card tray retainer in place.
3. Hold the card tray against the front of the card dispenser, and place the card tray retainers against the back of the inside of the card tray.
4. Align the holes of the card tray with the retainer holes and reinstall the (3) screws.
5. Repeat for the other card dispenser.



Minecraft Dungeons Arcade Service Manual

Verify Cabinet Functionality

1. Verify the voltage in the nearest AC outlet.
2. Verify the AC outlet ground connection is present and working.
3. Verify that the specified operating current will not overload the supply circuits.
4. Plug the line cords into AC outlet.
5. Turn the main cabinet power switch to ON.
6. Verify that the cooling fans on the cabinet are working.
If not, turn off AC power and disconnect line cord. Contact Betson service
7. Check that no component is excessively hot or emitting foul odors.
If so, turn off AC power and disconnect line cord. Contact Betson service.
8. Once software loads, you will be asked to setup the cabinet software.

Game Software Setup

Initial Setup

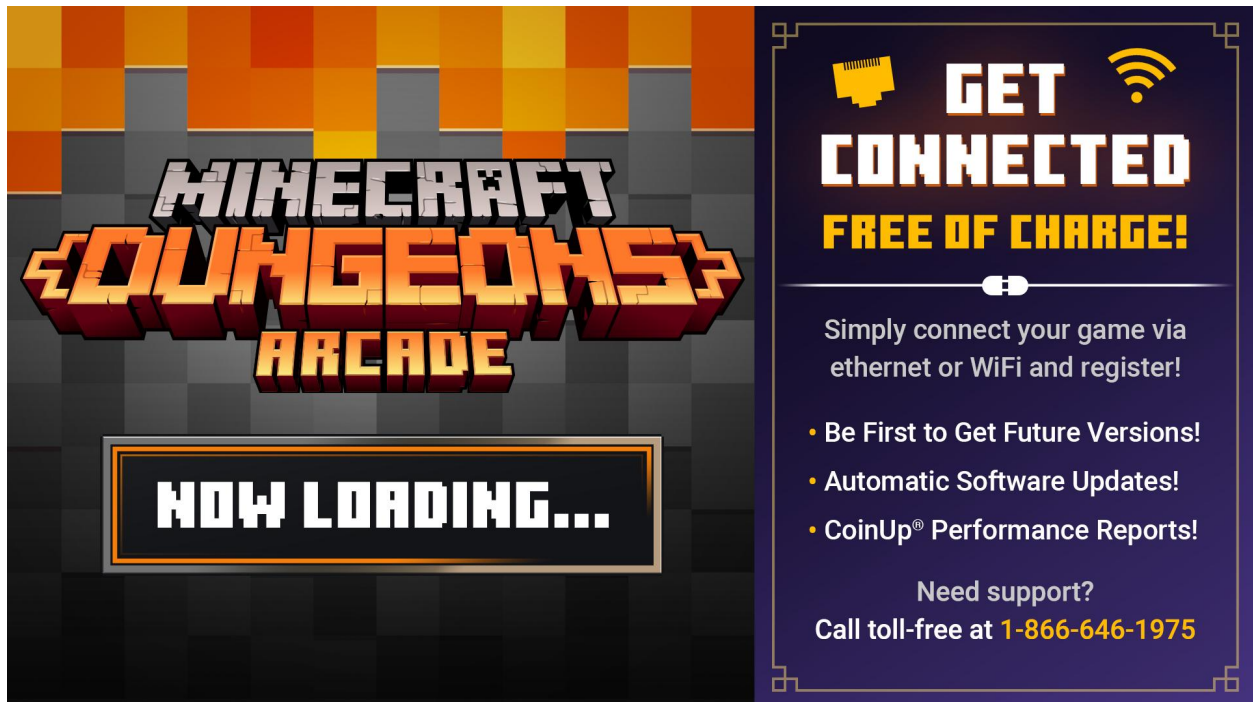
When first turned on, follow the onscreen prompts to complete initial game setup.

Verify Input and Output Functionality

1. Enter the Diagnostic menu
2. Enter the INPUT TESTS menu and verify all switches and inputs function.
3. Enter the VIDEO TESTS menu and verify that video is acceptable.
4. Enter the COIN METER TEST and verify the operation of the coin meter.
5. Enter the LAMP TESTS menu and verify that the lamps of the buttons work correctly.
6. Enter the SOUND TEST menu and verify the audio works and is not distorted.
7. Enter the WATCHDOG TEST menu, which re-boots the game.
8. Upon a successful re-boot, you are ready to make adjustments to pricing, volume and other functions found in the Diagnostic menu.

Online Registration

Minecraft Dungeons Arcade can be connected online. Keeping the unit online will allow it to update to new software releases automatically and will provide performance reports on coinup.com.



The image shows a loading screen for Minecraft Dungeons Arcade. The background features a pixelated orange and grey pattern. The title "MINECRAFT DUNGEONS ARCADE" is displayed in a stylized, blocky font. Below the title is a black box with the text "NOW LOADING...". On the right side, there is a dark blue overlay with a white border. It contains the text "GET CONNECTED FREE OF CHARGE!" with icons for a network card and a Wi-Fi signal. Below this, it says "Simply connect your game via ethernet or WiFi and register!". A list of benefits follows: "• Be First to Get Future Versions!", "• Automatic Software Updates!", and "• CoinUp® Performance Reports!". At the bottom of the overlay, it says "Need support? Call toll-free at 1-866-646-1975".

Maintenance

Hard Drive Recovery

Symptoms requiring hard drive recovery include:

- File Test reports bad or missing files
- Game fails to finish loading during startup
- After resetting the AC power, an error is reported
- You are prompted to insert a boot DVD
- Erratic Game or Attract Mode
- A screen indicating Data Files Corrupted

COMPUTER

The computer contains sensitive components, including a hard drive. Do not handle roughly. Call your distributor before servicing its internal components. Ask about warranty information as it relates to the PC.

Do **not** use the PC on/off switch. Turn AC power on or off with the main cabinet power switches.

Flash Drive Restore

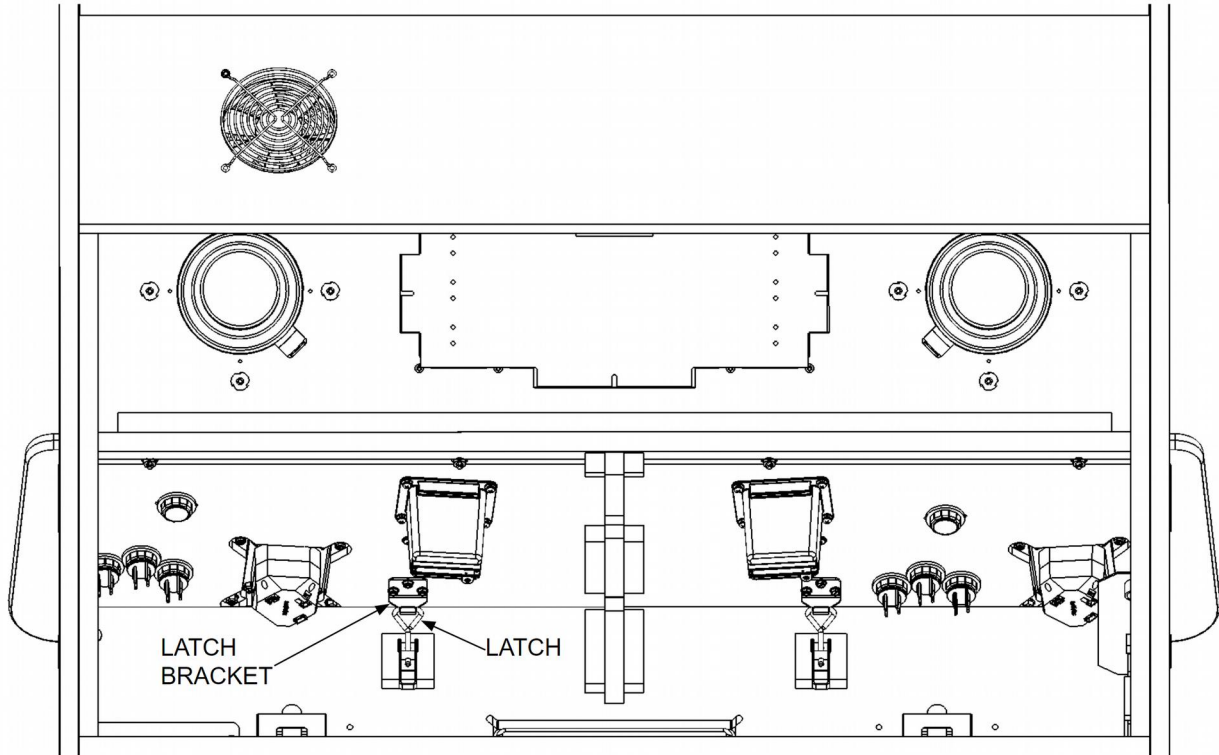
1. Turn both cabinet AC power switches to OFF.
2. Connect USB flash drive to an open USB port found inside the coin door.
3. Turn both cabinet AC power switches to ON.
4. Initial software loading may take several minutes. Check progress periodically.
Do not interrupt power or reset the game during recovery.
5. When software has finished loading, a message indicates that restore is complete.
6. Turn both cabinet power switches to OFF and disconnect USB flash drive.
7. After 30 seconds, turn both cabinet power switches to ON.
8. After game restarts, the game will proceed through the Setup wizard with factory defaults.

Minecraft Dungeons Arcade Service Manual

Cabinet Control Panel Access

The control panel is held in place by (2) adjustable latches.

1. Open both card dispenser doors and reach up and in.
2. Grab the latch handle and lift up to release the latch from the bracket.
3. Grab the latch arm and rotate it away from the bracket (attempt to **not** turn the latch arm).
4. Slowly open the hinged control panel.
5. To adjust the latch arm's length, turn the arm. If you find that it's difficult to latch the control panel, lengthen the arm. If the control panel does not feel secure once latched, shorten the arm.



Monitor Mounting and Replacement

The 43" monitor is mounted to (2) VESA mounting brackets that are then mounted to one of three sets of 1/4"-20 T-nuts.

To replace the monitor:

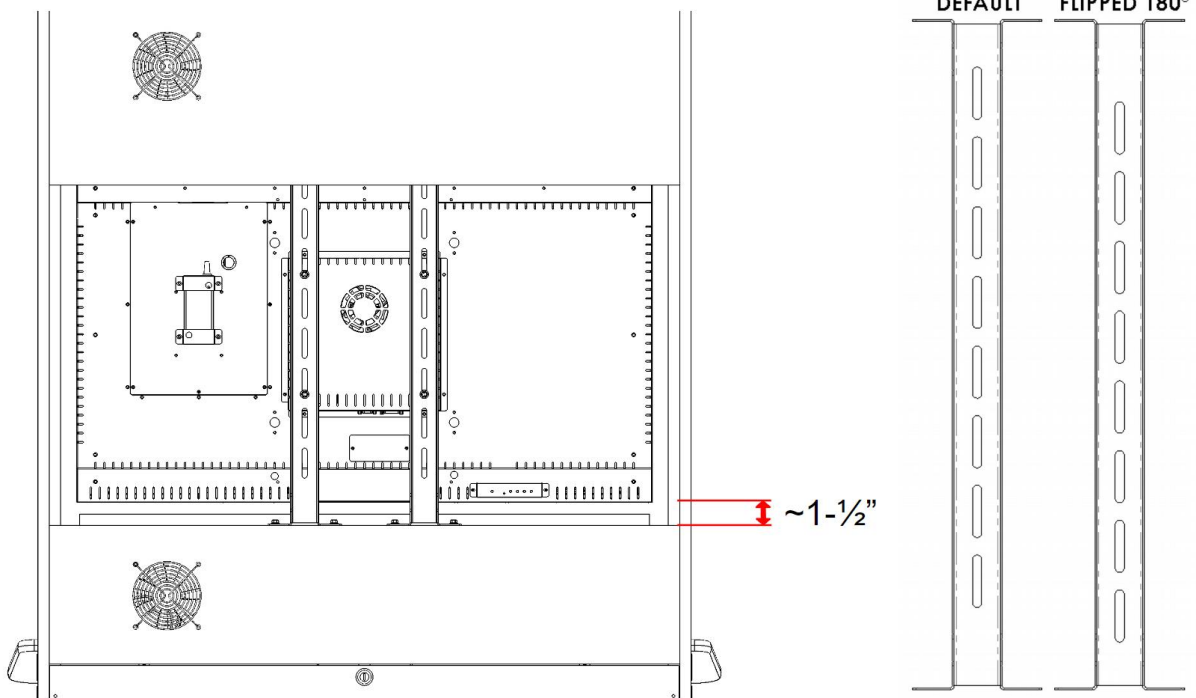
1. Remove the hardware securing the VESA mounting brackets to the cabinet using a 7/16" socket.
2. Remove the monitor assembly from the back of the cabinet by rotating the bottom of the assembly out while pulling the assembly down and away from the cabinet.
3. Remove the hardware securing the monitor to the brackets.

Note: This hardware differs depending on the monitor model.

4. Gently place the replacement monitor face down on a surface that won't damage the screen.
5. Place the brackets on the back of the monitor such that the slots line up with the monitor's VESA mounting holes.

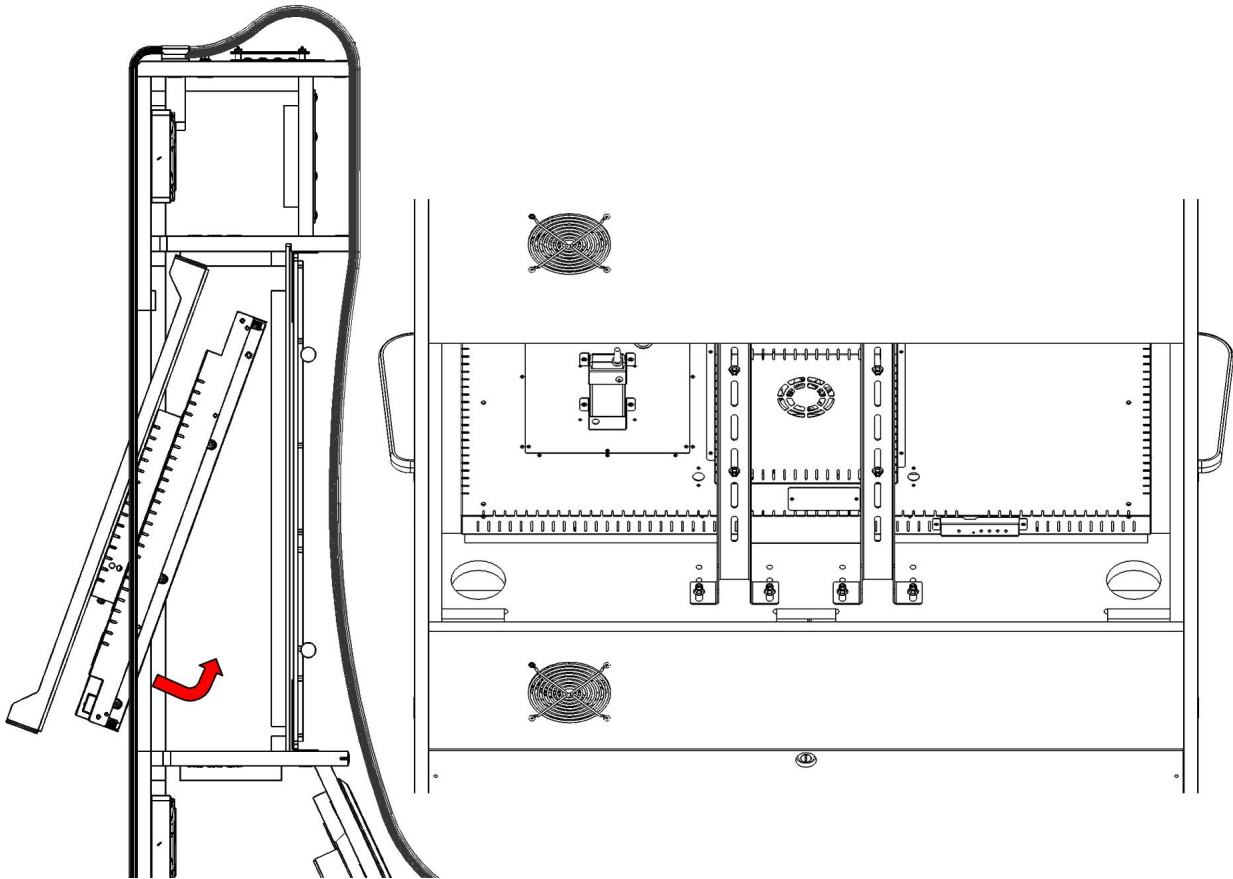
Note: The bottom of the monitor should be about 1-1/2" above the bottom of the brackets. This distance will vary depending on the monitor model.

Note: If the monitor's VESA mounting holes don't line up with the slots of the brackets, the brackets can be flipped 180°.



Minecraft Dungeons Arcade Service Manual

6. Attach the VESA mounting brackets to the back of the monitor, making sure the bottom of the brackets are aligned with each other.
Note: If the replacement monitor is a different model than the one being removed, different hardware might be required.
7. Place the monitor assembly back in the cabinet pushing the monitor forward until the front of it is touching the glass. The slots of the brackets will line up with one of the three sets of T-nuts. While pushing the monitor assembly forward, secure the monitor assembly to the wood panels above and below the monitor by reinstalling the previously removed hardware.
8. Look at the monitor from the front to determine if any adjustments need to be made.



Refilling Card Dispensers

Note: Using damaged cards in the card dispenser(s) can cause damage to the dispenser(s).

Note: Do not eject card hopper when refilling card dispensers, as this may damage the dispenser.



1. Open the card dispenser door.
2. Remove the weight from the card hopper.
3. Add cards to the card hopper, making sure to leave enough room for the weight.
4. Place the weight back into the card hopper.
5. Close the card dispenser door.

Clearing Card Dispenser Jam

1. Open the card dispenser door.
2. Remove the weight from the card hopper.
3. Remove all loose (non-jammed) cards from the card hopper.
4. Carefully remove any jammed cards.
5. Check cards for damage and discard any damaged cards.
6. Put the undamaged cards back into the card hopper.
7. Place the weight back into the card hopper.
8. Close the card dispenser door

Minecraft Dungeons Arcade Service Manual

Authorizing Cards

1. Remove serialized RFID card included with your new box of cards.



2. Open the top coin door.
3. Hold down the Test button to enter the Diagnostic main menu.
4. Scroll down and select Utilities.
5. Scroll down and select Card Authorization.



6. Place the RFID card on the NFC scanner, which can be found near the Service Panel.
7. If the card is successfully scanned, you will hear a beep from the scanner and the text on screen will update accordingly.
8. Remove the used RFID card.
9. Exit diagnostic mode.
10. Close the coin door.

Troubleshooting

Warning: Review safety chapter before making any adjustments to game.

General Troubleshooting

Problem	Possible Cause	Solution
Game will not power up	Game not plugged in.	Plug game into outlet.
	Game not turned on.	Turn on main power switch.
	Game fuse is blown.	Check and replace fuse.
	Game power line circuit breaker tripped.	Check and reset game power line circuit breaker.
	No power to receptacle.	Test outlet and plug game into powered outlet.
	PC not turned on.	Ensure IEC cable tightly plugged in. Trace cable back to source to ensure continuity.
	PC BIOS set incorrectly.	Set PC BIOS to boot on power.

NO VIDEO message	Video cables not plugged in properly	Reattach and/or tighten video cable to monitor. Reattach and/or tighten video cable to PC.
	Faulty video cable	Replace video cable

No sound	Bad Connection	Check connection to speakers and amplifier board.
	Audio Cable Disconnected	Check audio cable and connection

Game does not load	Hard drive failure	Recover hard drive. See procedure on pg 10.
Hard drive test reports "bad" or "missing" files.		
Game fails to finish loading.		
After resetting, game still reports an error.		
Game suggests inserting a boot DVD.		
Erratic game mode or attract mode.		
<p style="text-align: center;">WARNING! Data Files Corrupted. (Game Operation May Become Unstable.) Use "Test" Switch to Enter Test Mode and Run "File Test." Press Start To Continue.</p>		

Game resets	Bad file.	Run File Test. Restore hard drive.
-------------	-----------	------------------------------------

Minecraft Dungeons Arcade Service Manual

Problem	Possible Cause	Solution
Coin meter does not click	No pulse to meter	Check all wiring from meter to I/O board
	Faulty meter	Replace coin meter
Exits Test Mode every 3 seconds	Test button stuck in ON position	Slide or toggle button off after Test Menu appears
<i>Dongle Not Present</i>	Dongle missing or disconnected	Find dongle usb connection and reseal in USB port
	Faulty USB port	Test dongle in another USB port
<i>Connect I/O Board or I/O Board Missing</i>	USB cable disconnected	Check USB connection from PC to I/O board
	Blown fuse	Check and replace fuse.
	No power to RIO2 board	Check for proper voltage (+12V) at RIO2 P1 connector
	Bad RIO2 Board	Replace RIO2 board with known functional board

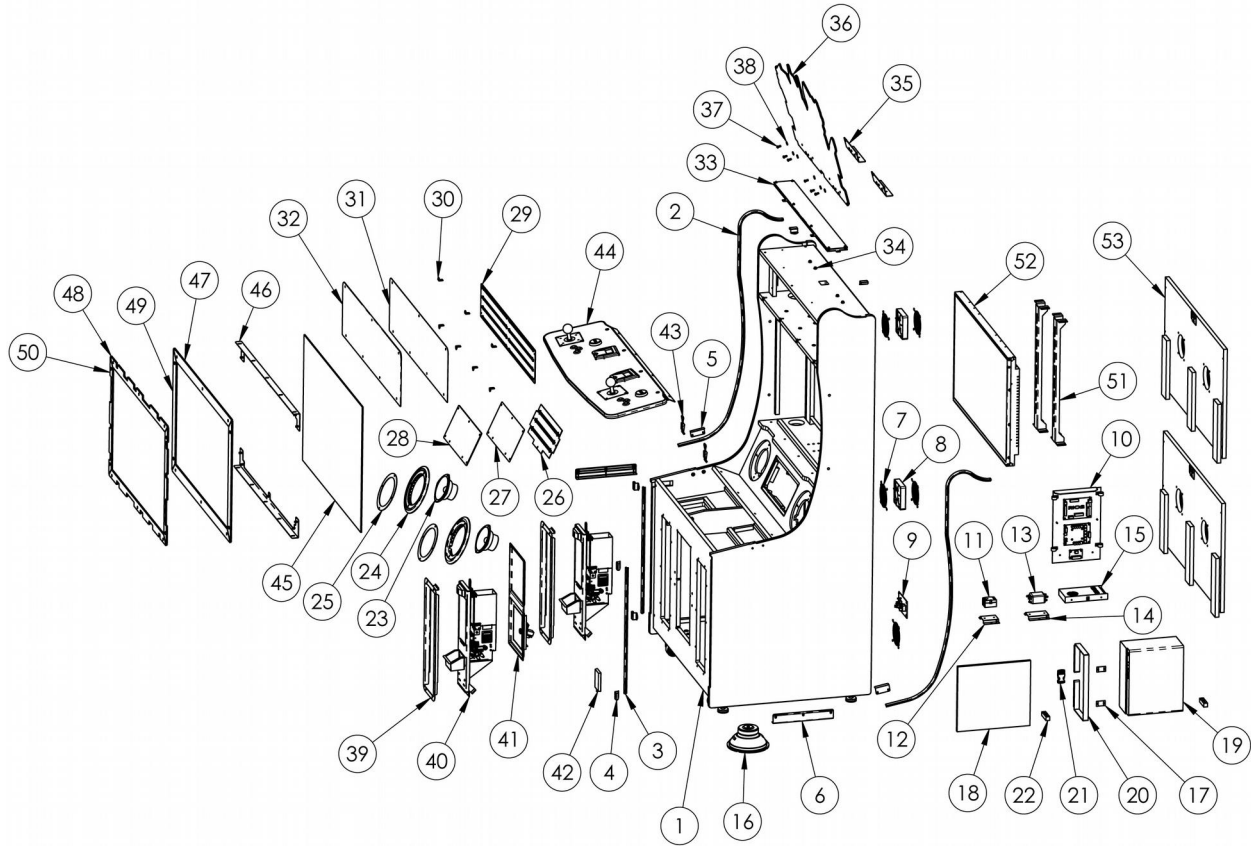
Online Troubleshooting

Problem	Possible Cause	Solution
Game cannot connect to CoinUp® server. No IP address appears under Test Connections menu	No broadband internet service	Contact a local ISP to setup either cable modem or DSL service.
	Wrong router configuration	Configure router for DHCP (Dynamic Host Configuration Protocol).
	Disconnected Ethernet cable	Check that Ethernet cables are tightly connected at both ends. An audible click confirms tightness. Reboot game. In Diagnostic mode, select Online, then Test Connection. Confirm that IP address appears. The phrase eth0 must follow IP address.
	Faulty Ethernet cable	Test cable by connecting it from another PC into router or wall jack. Replace cable if faulty.
	Faulty Ethernet wall jack.	Plug Ethernet cable into a different jack.
	Broadband service is down.	Contact ISP.
	Faulty router	Plug Ethernet cable into different jacks in router. Plug Ethernet cable directly into DSL or cable modem instead of router. Replace router if faulty.
	Faulty network card	Call CoinUp® service

Problem	Possible Cause	Solution
Game has IP address and screen says <i>Server Ping Success</i> but Test Connection screen reports Database Ping failure or File Server Ping failure.	Firewall is blocking communication with server.	Read firewall documentation. Ensure configuration allows ICMP Echo. If router has built-in firewall, check router configuration. Enable communication on ports 80, 443, 7786, and 7787.
	Database or File Server is down	Wait 30 minutes and revisit Test Connection screen. If still reporting failure, call CoinUp® service.

Parts

Minecraft - Two Player - Cabinet Assembly



Minecraft - Two Player - Console Assembly Part Numbers

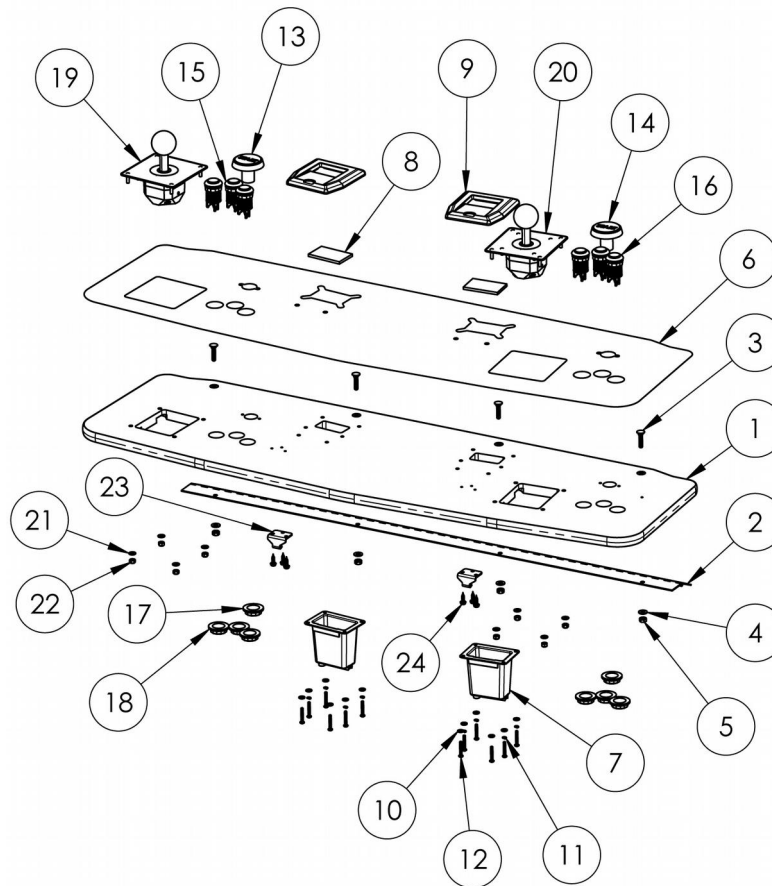
Item	Part No.	Description	QTY
1	601-01010-01	Cabinet	1
2	603-00718-01 (61.25")	LED T-Molding Extrusion – 61.25"	2
3	603-00718-01 (25.625")	LED T-Molding Extrusion – 25.625"	2
4	600-01134-01	LED T-Molding Clip	6
5	600-02743-01	LED T-Molding Clip Large	2
6	603-01002-01	12" Clear T-Molding Clip	2
7	800-00001-00	120mm Wire Fan Guard	5
8	820-00001-00	12VDC, 120CFM Cooling Fan (120mm x 120mm x 25mm)	2
9	AC Plate Assembly	AC Power Plate Assembly	1
10	PCB Plate Assembly	PCB Plate Assembly	1
11	800-00079-01	Crouzet: 25A Solid State Relay (84137910N)	1
12	600-03119-01	Solid State Relay Bracket	1
13	442-00001-01	Power Line Filter (Corcom 6MV1)	1
14	600-03206-01	AC Line Filter Bracket	1
15	500-00193-01	Mean Well: 320W, 12V PFC Dual Voltage Power Supply (RSP-320-12)	1
16	2-1-18-00-00-000	Goldwood: 8" Woofer, 4 Ohm, Poly-Mica Cone	1
17	600-00891-01	Securing Nylon Strap Plate	2
18	Partec-7-197	PC Foam Pad	1
19	850-00036-01	Lenovo M70t Computer	1
20	McM-C-87425K76	PC Mounting Nylon Strip (0.075" x 1" x 56.25")	1
21	McM-C-29705T86	Plastic Buckle, squeeze release, NO-Sew for 1" Webbing	1
22	601-00580-01	PC Wood Cleat	2
23	2-1-10-00-00-000	5.25" Full Range Speaker, 8 Ohm	2

Minecraft Dungeons Arcade Service Manual

24	Speaker Bezel Assembly	Speaker Bezel Assembly	2
25	600-02041-01	Speaker Grill	2
26	Speaker Panel Backlight Assembly	Speaker Panel LED Assembly	1
27	606-02162-01	Speaker Panel Translite	1
28	600-03237-01	Speaker Panel PETG	1
29	Lower Marquee Backlight Assembly	Lower Marquee LED Assembly	1
30	600-01434-01	Lower Marquee Bracket	7
31	606-02161-01	Lower Marquee Translite	1
32	600-01951-01	Marquee PETG	1
33	Upper Marquee Uplighting Assembly	Upper Marquee LED Assembly	1
34	McM-C-92316A540	Black steel screw, flanged hex head, 1/4"-20 thread, 3/4" long	4
35	600-03238-01	Upper Marquee Bracket	2
36	606-02163-01	Upper Marquee	1
37	McM-C-90484A539	Tamper-Resist button head screw, 1/4"-20 thread, 5/8" long	6
38	McM-C-97416A119	Black-oxide steel SAE washer for 1/4" screw, 0.281" ID, 0.625" OD	6
39	600-02060-01	Extended Card Dispenser Door Frame Plate	2
40	Extended Card Dispenser Door ASSY	Extended Card Dispenser Door Assembly	2
41	Cashless Mid-width Door Assembly	Cashless Mid-width Door Assembly	1
42	380-00005-01	USB NFC Card Reader/Writer	1
43	600-03240-01	Control Panel Latch	2
44	MC-2P Control Panel Assembly	Control Panel Assembly	1
45	600-03242-01	Glass (0.1875" x 41.375" x 25.625")	1
46	600-03243-01	Monitor Border Bracket	2
47	606-02165-01	Horizontal Monitor Border, Black	2
48	606-02215-01	Horizontal Monitor Border	2
49	606-02164-01	Vertical Monitor Border, Black	2
50	606-02214-01	Vertical Monitor Border	2
51	600-03244-01	Monitor VESA Bracket	2
52	809-00004-01	43" monitor	1
53	Back Door Assembly	Back Door Assembly	2
*	606-02154-01	Right side panel decal	1
*	606-02155-01	Left side panel decal	1
*	606-02156-01	Front panel decal	1
*	606-02160-01	Speaker panel decal	1
*	606-022-06-01	Mounting hole cover-up decal	4

*Not pictured

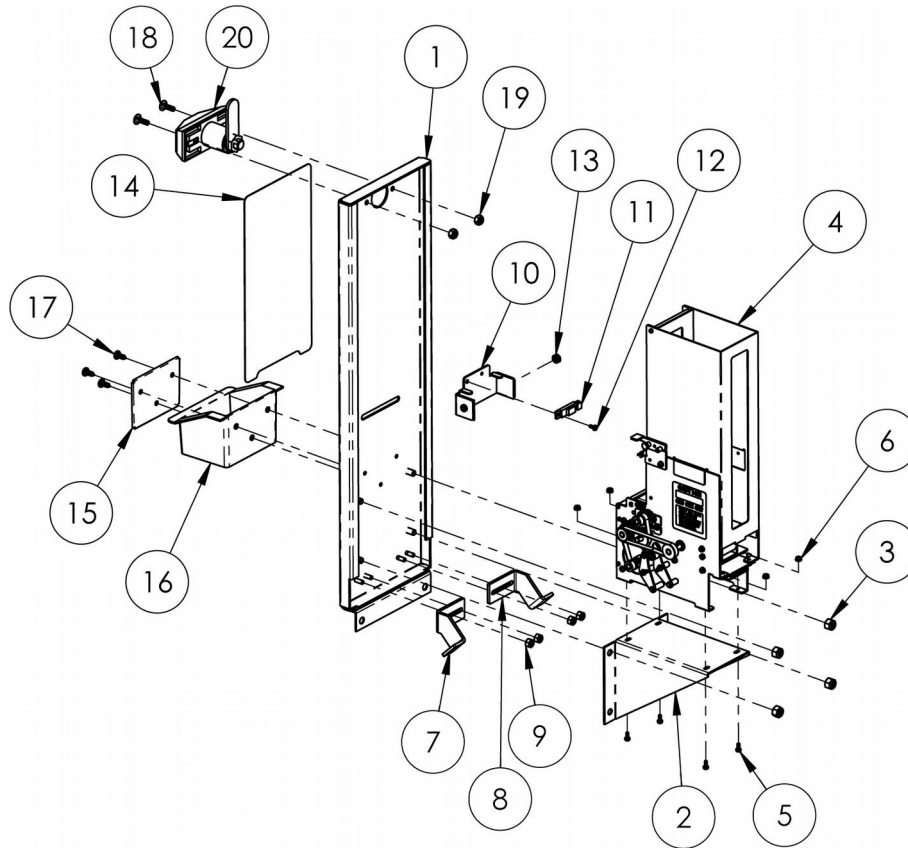
Minecraft – Two Player – Control Panel Assembly



Minecraft – Two Player – Control Panel Assembly Part Numbers

Item	Part No.	Description	QTY
1	601-01011-01	Control Panel	1
2	600-03239-01	Control Panel Hinge	1
3	Partec-31-CB250-03-005	Flat Head Carriage Bolt, 1/4"-20 thread size, 1-1/4" length	4
4	McM-C-90126A029	Zinc-plated steel SAE Washer, 1/4" screw, 0.281" ID, 0.625" OD	4
5	McM-C-90675A029	Zinc-plated steel Locknut with external tooth lock washer, 1/4"-20 thread	4
6	606-02159-01	Control Panel Decal	1
7	Card Reader Assembly	Card Reader Assembly	2
8	600-02072-01	Card Reader Glass	2
9	603-00854-01	Card Reader Bezel	2
10	McM-C-90126A512	Zinc-plated steel SAE Washer for #8 screw size, 0.188" ID, 0.438" OD	12
11	McM-C-91102A735	Zinc-plated steel split lock washer for #8 screw size, 0.174" ID, 0.293" OD	8
12	McM-C-91772A211	Stainless steel pan head phillips screw, 8-32 thread, 1-1/8" long	12
13	702-00114-01	Large Round Blue IPB (.187 Gold SW, 6V White LED) w/ "START" Legend (P1)	1
14	702-00115-01	Large Round Red IPB (.187 Gold SW, 6V White LED) w/ "START" Legend (P2)	1
15	702-00069-01	Blue Push Button (P1)	3
16	702-00073-01	Red Push Button (P2)	3
17	Ring Nut for Large IPB	Included with IPBs	2
18	Ring Nut for Small IPB	Included with IPBs	6
19	MC-2P P1 Joystick Assembly	Player 1 (Blue) Joystick Assembly	1
20	MC-2P P2 Joystick Assembly	Player 2 (Red) Joystick Assembly	1
21	McM-C-91090A103	Zinc-plated steel SAE Washer for #10 screw size, 0.203" ID, 0.5" OD	8
22	McM-C-90631A411	Low-strength steel nylon-insert Locknut, 10-32 thread size	8
23	600-03241-01	Latch Bracket	2
24	McM-C-90197A645	Zinc-plated steel flanged piercing screw, #10 size, 3/4" long	6

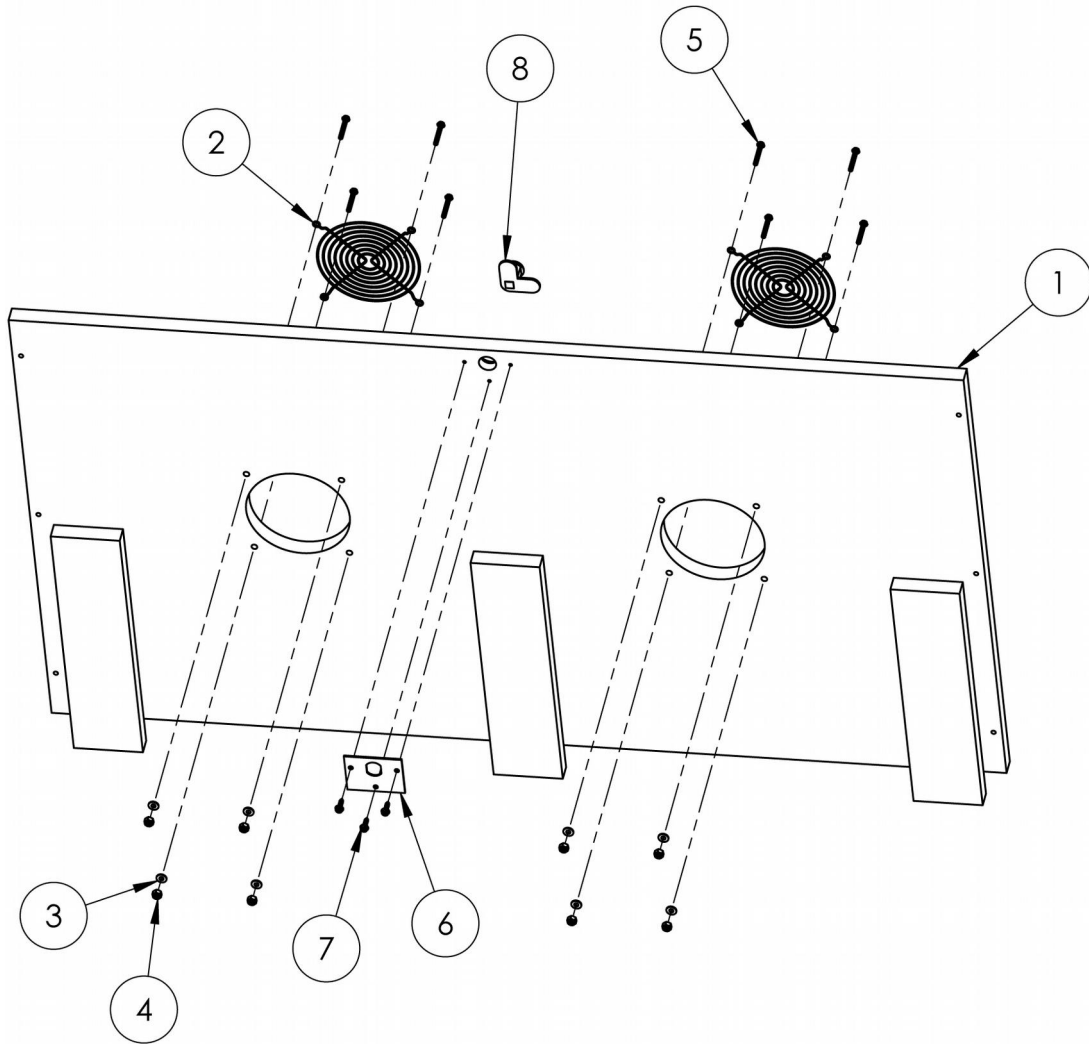
Minecraft – Two Player – Card Dispenser Assembly



Minecraft – Two Player Card Dispenser Assembly Part Numbers

Item	Part No.	Description	QTY
1	608-00242-01	Extended Card Dispenser Door Weldment	1
2	600-02073-1	Card Dispenser Mounting Plate	1
3	McM-C-90640A129	Low-Strength Steel Nylon-Insert Locknut, Zinc-Plated, 1/4"-20 Thread Size	4
4	800-00067-00	CD-1300 Card Dispenser w/ 340 Cassette	1
5	McM-C-90317A526	Stainless Steel Rounded Head Screws with External-Tooth Washer, M3 x 0.5mm Thread, 8 mm Long	4
6	McM-C-93825A110	Zinc-Plated Steel Locknut with External-Tooth Lock Washer, M3 x 0.5 mm Thread	4
7	600-02061-01	Card Dispenser Right Stop Bracket	1
8	600-02062-01	Card Dispenser Left Stop Bracket	1
9	McM-C-906331A009	Low-Strength Steel Nylon-Insert Locknut, 8-32 Thread Size	4
10	600-02387-01	Sensor Bracket for CD-1300-340	1
11	500-00246-01	Reflective Optical Sensor Unit (Sharp GP2A200LCS0F)	1
12	McM-C-90402A107	Steel Pan Head Screw with External-Tooth Lock Washer, 4-40 Thread Size, 5/16" Long	1
13	McM-C-90675A009	Steel Locknut with External-Tooth Lock Washer, 8-32 Thread Size	1
14	606-01866-01	Card Dispenser Decal	1
15	600-02909-01	Card Tray Retainer	1
16	603-01056-01	Molded Card Tray	1
17	McM-C-90935A243	Phillips Rounded Head Screws for Sheet Metal, Number 10 Size, 1/2" Long	3
18	McM-C-92356A243	Stainless Steel Square-Neck Carriage Bolt, 10-24 Thread Size, 5/8" Long	2
19	McM-C-90631A011	Steel Nylon-Insert Locknut, 10-24 Thread Size	2
20	604-00036-01	T-Handle Lock Assembly	1

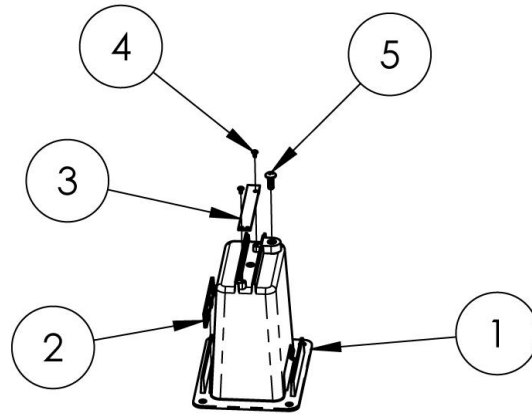
Minecraft – Two Player – Back Door Assembly



Minecraft – Two Player – Back Door Assembly Part Numbers

Item	Part No.	Description	QTY
1	601-00798-01	Back Door	1
2	800-00001-00	120mm Wire Fan Guard	2
3	McM-C-90126A512	Zinc-Plated Steel SAE Washer for Number 8 Screw Size, 0.188" ID, 0.438" OD	8
4	McM-C-90631A009	Low-Strength Steel Nylon-Insert Locknut, 8-32 Thread Size	8
5	McM-C-90272A201	Zinc-Plated Steel Pan Head Phillips Screw, 8-32 Thread Size, 1-1/4" Long	8
6	600-00043-01	Lock Retainer Plate	1
7	McM-C-90054A196	Zinc-Plated Steel Flanged Hex Head Screw for Sheet Metal, Number 8 Size, 5/8" Long	3
8	150-00001-00	Standard Door Lock Assembly (for 3/4" Panels)	1

Minecraft – Two Player – Card Reader Assembly

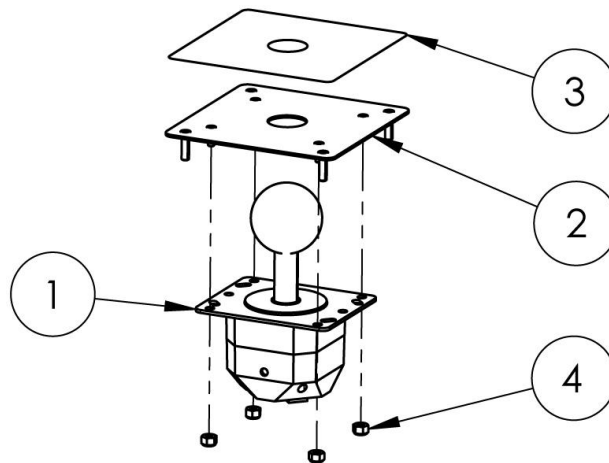


Minecraft – Two Player – Card Reader Assembly Part Numbers

Item	Part No.	Description	QTY
1	603-00855-01	Card Reader Camera Holder	1
2	500-00162-01	5cm Flexible White LED Strip, w/ Foam	1
3	500-00213-01	Card Reader Webcam, 10 cm Focus	1
4	McM-C-99461A605	Phillips Rounded Head Thread-Forming Screws, Number 1 Size, 1/8" Long	2
5	McM-C-90272A146	Zinc-Plated Steel Pan Head Phillips Screw, 6-32 Thread Size, 3/8" Long	1
6*	810-00162-01	Webcam USB Cable	1

* Not pictured

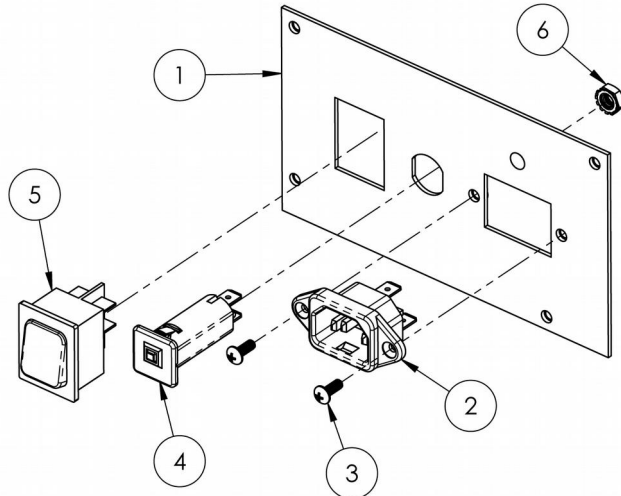
Minecraft – Two Player – Joystick Assembly



Minecraft – Two Player – Joystick Assembly Part Numbers

Item	Part No.	Description	QTY
1	800-00080-01	49-way Joystick – P1 (Blue)	1
	800-00081-01	49-way Joystick – P2 (Red)	
2	600-03245-01	Joystick Plate	1
3	606-02157-01	Joystick Plate Decal – P1 (Blue)	1
	606-02158-01	Joystick Plate Decal – P2 (Red)	
4	McM-C-90631A009	Low-Strength Steel Nylon-Insert Locknut 8-32 Thread Size	4

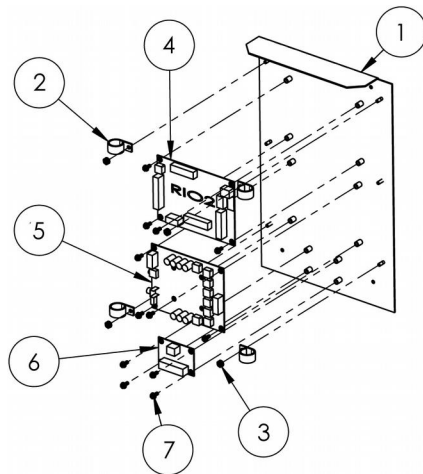
Minecraft – Two Player – AC Power Plate Assembly



Minecraft – Two Player – AC Power Plate Assembly Part Numbers

Item	Part No.	Description	QTY
1	600-01681-01	AC Electronics Plate	1
2	Qualtek - 703W-00/08	AC Power Inlet, IEC 320-C14, 250VAC, 10A	1
3	McM-C-90272A146	Zinc-Plated Steel Pan Head Phillips Screw, 6-32 Thread Size, 3/8" Long	2
4	Schurter - 4404.0002	Circuit Breaker, 240VAC, 48VDC, 6A	1
5	Marquardt - 1832.3312	On/Off AC Rocker Switch (DPST), 125VAC/15A, 250VAC/5A	1
6	McM-C-90675A195	Steel Locknut with External-Tooth Lock Washer. 10-32 Thread Size	1

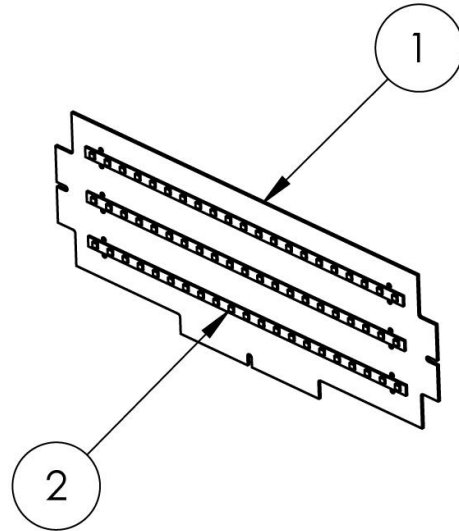
Minecraft – Two Player – AC Power Plate Assembly



Minecraft – Two Player – AC Power Plate Assembly Part Numbers

Item	Part No.	Description	QTY
1	600-02049-01	PCB Mounting Plate	1
2	AEH - 04-12-750	Wire Harness Clip (for 3/4" Bundle Diameter)	4
3	McM-C-90675A009	Steel Locknut with External-Tooth Lock Washer, 8-32 Thread Size	4
4	500-00199-05	RIO2 PCB	1
5	500-00212-03	RIO2 Audio Amplifier PCB	1
6	500-00218-02	8 x 5 Diode Matrix PCB	1
7	McM-C-90316A192	Flanged Hex Head Screws with Slotted Drive, 8-32 Thread Size, 3/8" Long	12

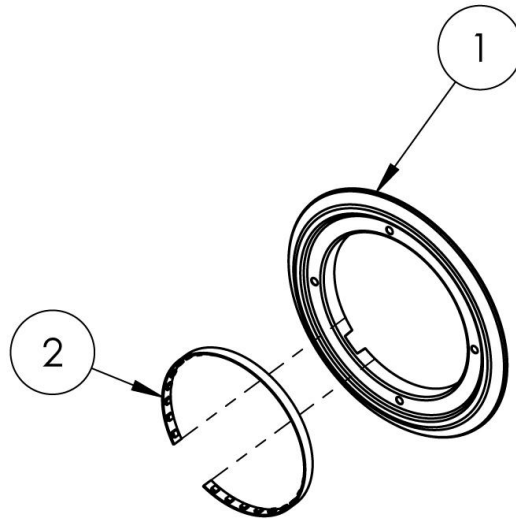
Minecraft – Two Player – Speaker Panel LED Assembly



Minecraft – Two Player – Speaker Panel LED Assembly Part Numbers

Item	Part No.	Description	QTY
1	600-02095-01	Mini Marquee LED Panel	1
2	500-00162-01	Flexible White LED Strip w/ Foam (35 cm)	3

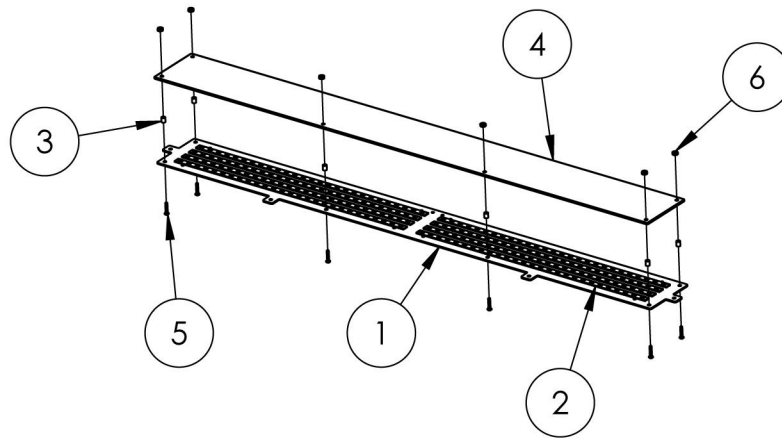
Minecraft – Two Player – Speaker Bezel Assembly



Minecraft – Two Player – Speaker Bezel Assembly Part Numbers

Item	Part No.	Description	QTY
1	603-00853-01	Speaker Bezel	1
2	500-00184-01	Flexible RGB LED Strip w/ Foam (45 cm)	1

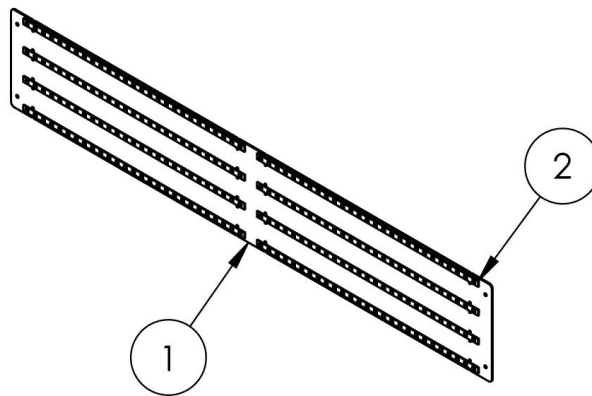
Minecraft – Two Player – Upper Marquee LED Assembly



Minecraft – Two Player – Upper Marquee LED Assembly Part Numbers

Item	Part No.	Description	QTY
1	600-01947-01	Upper Marquee LED Panel	1
2	500-00162-01	Flexible White LED Strip w/ Foam (45 cm)	8
3	McM-C-94639A289	Nylon Unthreaded Spacer for Number 8 Screw Size, 1/4" OD, 5/16" Length	6
4	600-01948-01	Upper Marquee LED Panel PETG	1
5	McM-C-90272A151	Zinc-Plated Steel Pan Head Phillips Screw, 6-32 Thread Size, 3/4" Long	6
6	McM-C-90675A007	Zinc-Plated Steel Locknut with External-Tooth Lock Washer, 6-32 Thread Size	6

Minecraft – Two Player – Lower Marquee LED Assembly



Minecraft – Two Player – Lower Marquee LED Assembly Part Numbers

Item	Part No.	Description	QTY
1	600-02096-01	Lower Marquee LED Panel	1
2	500-00162-01	Flexible White LED Strip w/ Foam (45 cm)	8

Contact Information

For an authorized distributor near you, visit Raw Thrills at <http://www.rawthrills.com/sales-service>

For service, contact your local distributor or your local Betson office for sales, technical information, warranty or repair. Betson can be reached at (800) 524-2343 or fax (201) 438-4837 www.betson.com

Betson Enterprises Headquarters

303 Paterson Plank Rd.

Carlstadt, NJ 07072

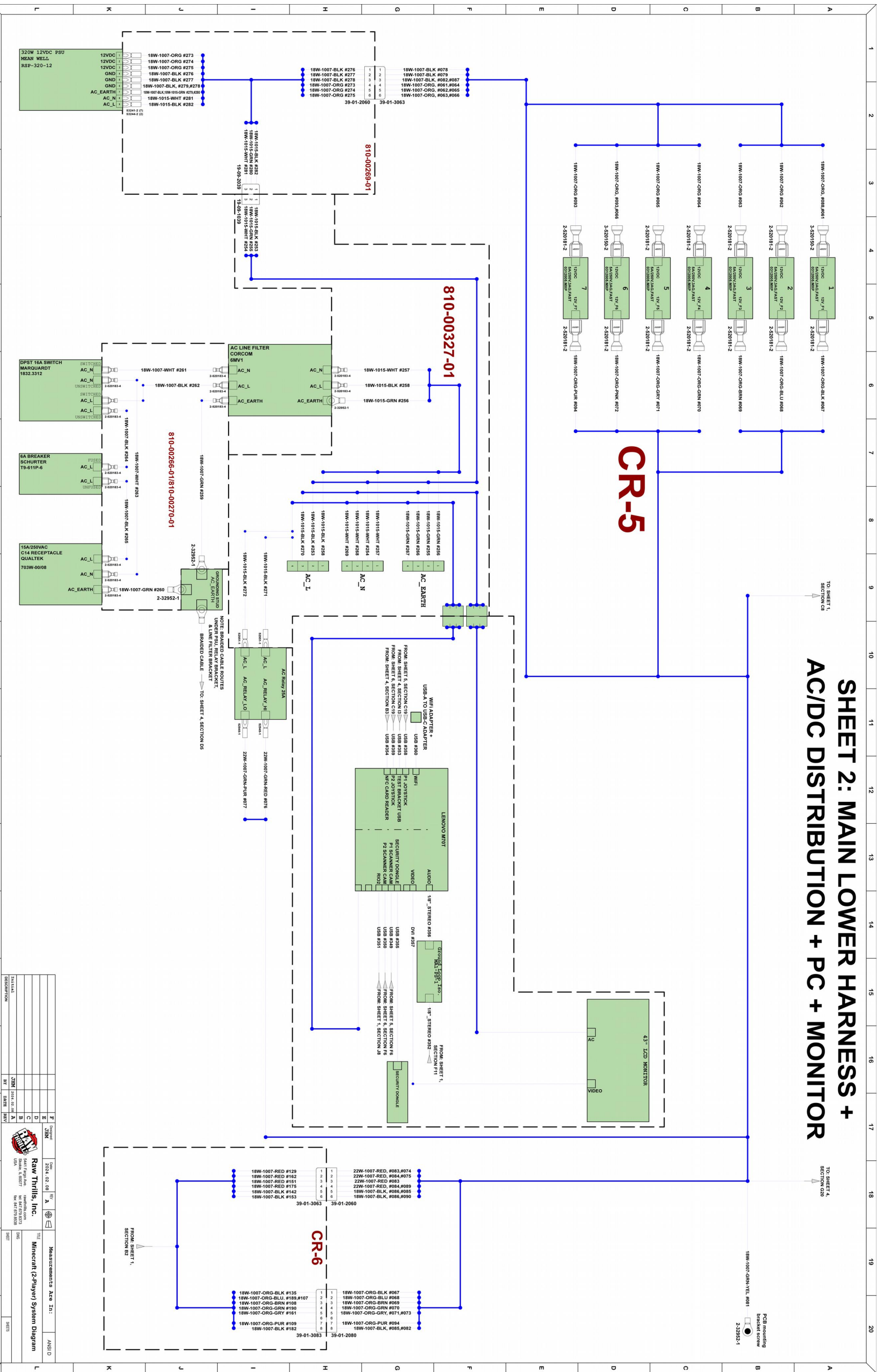
(800) 524-2343 or (201) 438-1300

fax (201) 438-4837

www.betson.com

System Diagrams

SHEET 2: MAIN LOWER HARNESS + AC/DC DISTRIBUTION + PC + MONITOR



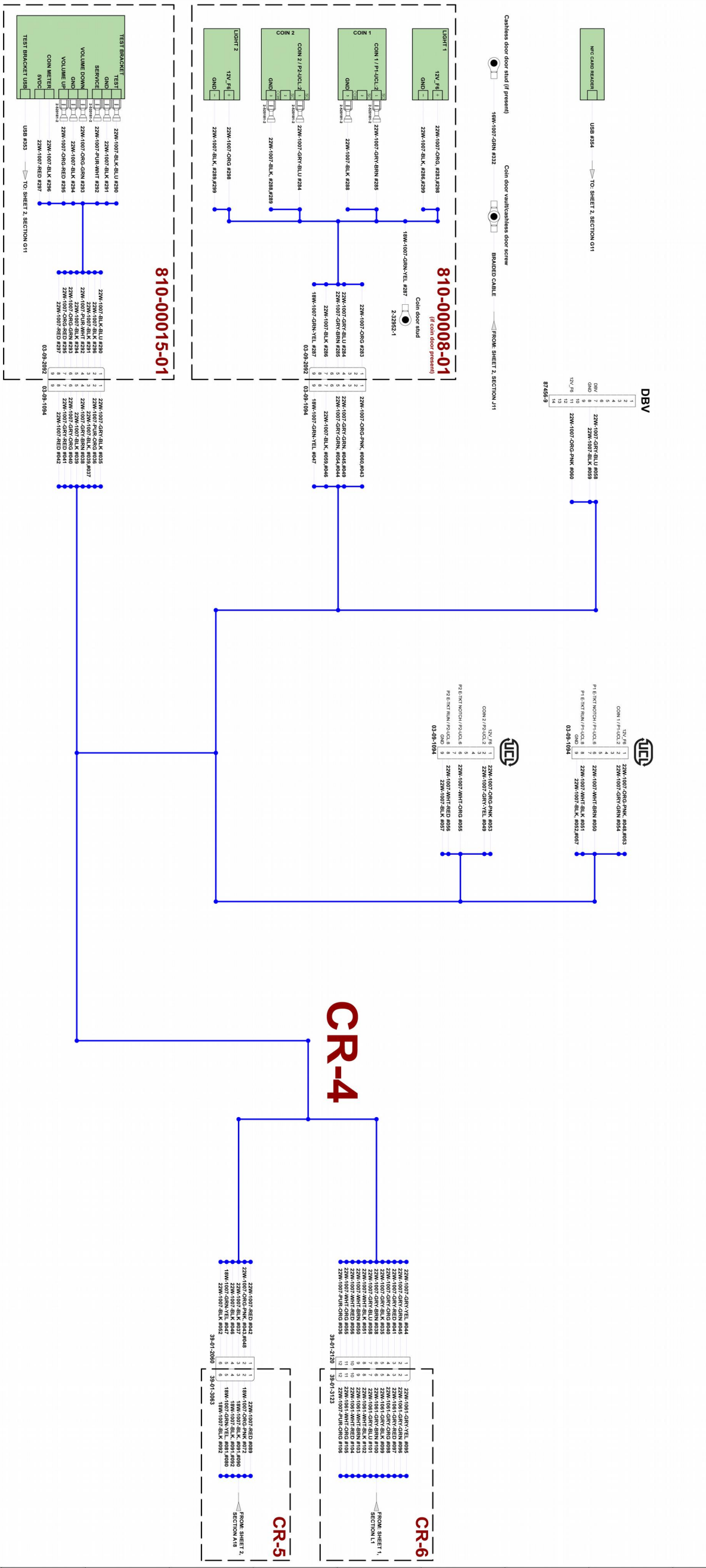
DATE	2024.02.01	REV	A
DESIGNED BY	JIM	CHECKED BY	JIM
DRAWN BY	JIM	APPROVED BY	JIM
DATE	2024.02.01	REV	A
DESIGNED BY	JIM	CHECKED BY	JIM
DRAWN BY	JIM	APPROVED BY	JIM

Raw Thrills, Inc.
3441 Fogo Ave
Las Vegas, NV 89102
702.735.8000

Minicraft (2-Player) System Diagram

Measurements Are In: ANS/D

SHEET 4: VAULT



810-00015-01

810-00008-01

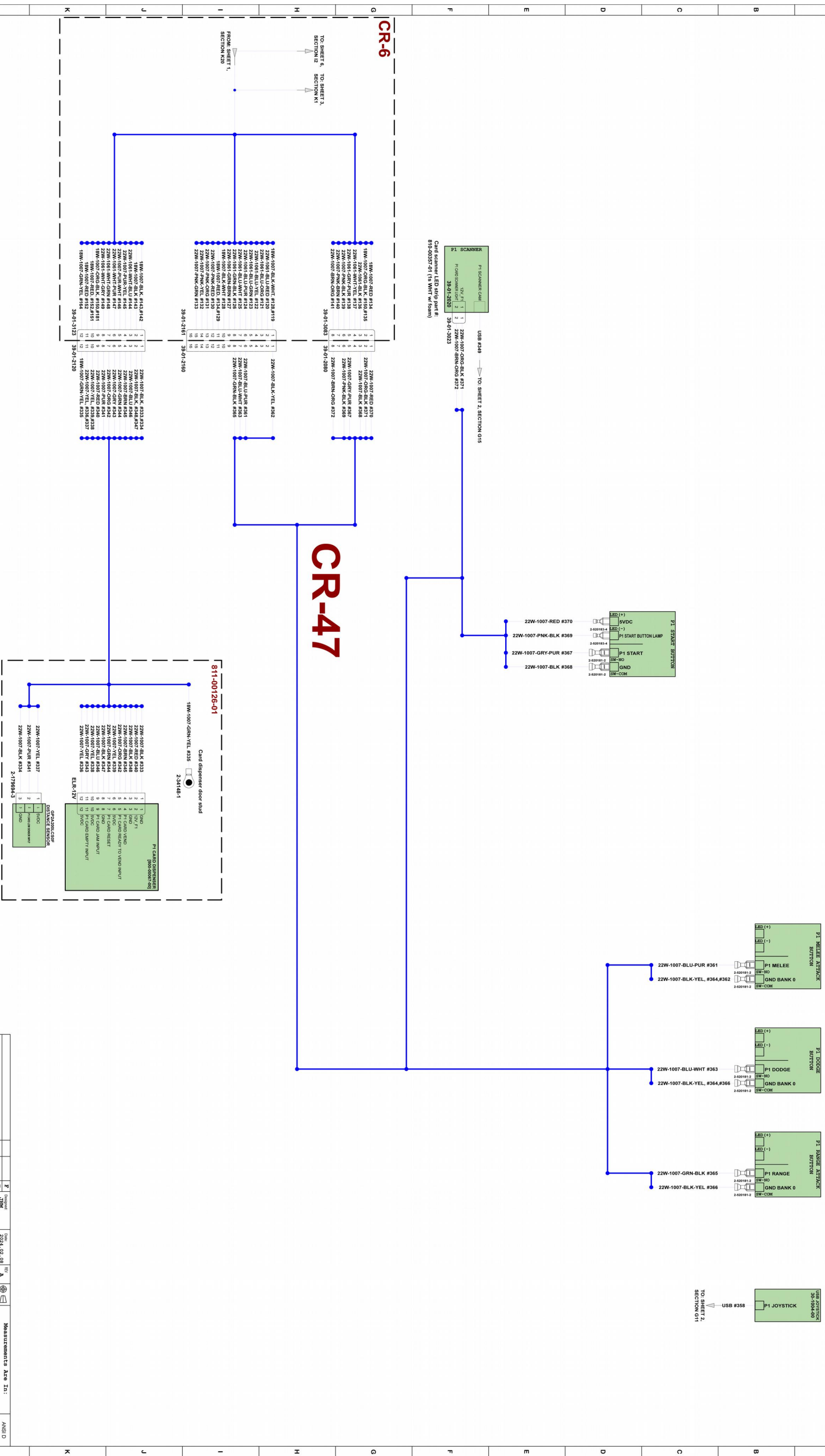
CR-4

CR-6

CR-5

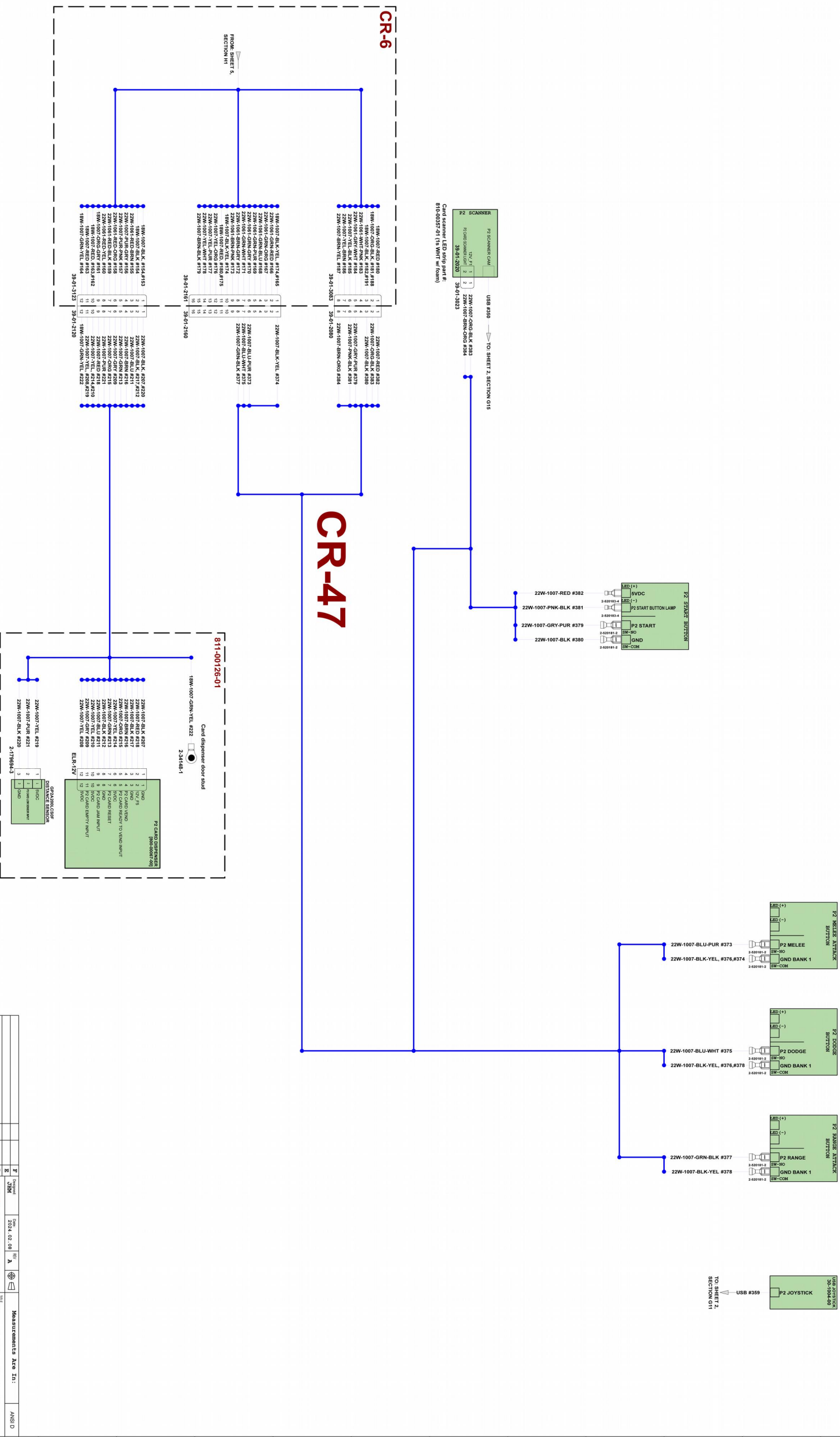
DATE	2024.02.01	REV	A
DESIGNED BY	JHM	CHECKED BY	JHM
Raw Thrills, Inc. 3441 E. Regis Ave. Aurora, CO 80017 Tel: 303.733.8833		Measurements Are In: ANSI D	
SHEET NO. 006		SHEET NO. 006	

SHEET 5: CONTROL PANEL - PLAYER 1



DATE	2024.02.01	REV	A
DESIGNED BY	JHM	CHECKED BY	JHM
DRAWN BY	JHM	DATE	2024.02.01
SCALE	1:1	SHEET	3 OF 3
TITLE	Measurements Are In: ANSI D		
COMPANY	Raw Thrills, Inc.		
PROJECT	Minecraft (2-Player) System Diagram		
DATE	2024.02.01		
BY	JHM		
CHECKED BY	JHM		
DATE	2024.02.01		
SCALE	1:1		
TITLE	Measurements Are In: ANSI D		
COMPANY	Raw Thrills, Inc.		
PROJECT	Minecraft (2-Player) System Diagram		
DATE	2024.02.01		
BY	JHM		
CHECKED BY	JHM		
DATE	2024.02.01		
SCALE	1:1		
TITLE	Measurements Are In: ANSI D		
COMPANY	Raw Thrills, Inc.		
PROJECT	Minecraft (2-Player) System Diagram		
DATE	2024.02.01		
BY	JHM		
CHECKED BY	JHM		
DATE	2024.02.01		
SCALE	1:1		
TITLE	Measurements Are In: ANSI D		
COMPANY	Raw Thrills, Inc.		
PROJECT	Minecraft (2-Player) System Diagram		
DATE	2024.02.01		
BY	JHM		
CHECKED BY	JHM		
DATE	2024.02.01		
SCALE	1:1		
TITLE	Measurements Are In: ANSI D		
COMPANY	Raw Thrills, Inc.		
PROJECT	Minecraft (2-Player) System Diagram		
DATE	2024.02.01		
BY	JHM		
CHECKED BY	JHM		
DATE	2024.02.01		
SCALE	1:1		
TITLE	Measurements Are In: ANSI D		
COMPANY	Raw Thrills, Inc.		
PROJECT	Minecraft (2-Player) System Diagram		
DATE	2024.02.01		
BY	JHM		
CHECKED BY	JHM		
DATE	2024.02.01		
SCALE	1:1		
TITLE	Measurements Are In: ANSI D		
COMPANY	Raw Thrills, Inc.		
PROJECT	Minecraft (2-Player) System Diagram		
DATE	2024.02.01		
BY	JHM		
CHECKED BY	JHM		
DATE	2024.02.01		
SCALE	1:1		
TITLE	Measurements Are In: ANSI D		
COMPANY	Raw Thrills, Inc.		
PROJECT	Minecraft (2-Player) System Diagram		
DATE	2024.02.01		
BY	JHM		
CHECKED BY	JHM		
DATE	2024.02.01		
SCALE	1:1		
TITLE	Measurements Are In: ANSI D		
COMPANY	Raw Thrills, Inc.		
PROJECT	Minecraft (2-Player) System Diagram		
DATE	2024.02.01		
BY	JHM		
CHECKED BY	JHM		
DATE	2024.02.01		
SCALE	1:1		
TITLE	Measurements Are In: ANSI D		
COMPANY	Raw Thrills, Inc.		
PROJECT	Minecraft (2-Player) System Diagram		
DATE	2024.02.01		
BY	JHM		
CHECKED BY	JHM		
DATE	2024.02.01		
SCALE	1:1		
TITLE	Measurements Are In: ANSI D		
COMPANY	Raw Thrills, Inc.		
PROJECT	Minecraft (2-Player) System Diagram		
DATE	2024.02.01		
BY	JHM		
CHECKED BY	JHM		
DATE	2024.02.01		
SCALE	1:1		
TITLE	Measurements Are In: ANSI D		
COMPANY	Raw Thrills, Inc.		
PROJECT	Minecraft (2-Player) System Diagram		
DATE	2024.02.01		
BY	JHM		
CHECKED BY	JHM		
DATE	2024.02.01		
SCALE	1:1		
TITLE	Measurements Are In: ANSI D		
COMPANY	Raw Thrills, Inc.		
PROJECT	Minecraft (2-Player) System Diagram		
DATE	2024.02.01		
BY	JHM		
CHECKED BY	JHM		
DATE	2024.02.01		
SCALE	1:1		
TITLE	Measurements Are In: ANSI D		
COMPANY	Raw Thrills, Inc.		
PROJECT	Minecraft (2-Player) System Diagram		
DATE	2024.02.01		
BY	JHM		
CHECKED BY	JHM		
DATE	2024.02.01		
SCALE	1:1		
TITLE	Measurements Are In: ANSI D		
COMPANY	Raw Thrills, Inc.		
PROJECT	Minecraft (2-Player) System Diagram		
DATE	2024.02.01		
BY	JHM		
CHECKED BY	JHM		
DATE	2024.02.01		
SCALE	1:1		
TITLE	Measurements Are In: ANSI D		
COMPANY	Raw Thrills, Inc.		
PROJECT	Minecraft (2-Player) System Diagram		
DATE	2024.02.01		
BY	JHM		
CHECKED BY	JHM		
DATE	2024.02.01		
SCALE	1:1		
TITLE	Measurements Are In: ANSI D		
COMPANY	Raw Thrills, Inc.		
PROJECT	Minecraft (2-Player) System Diagram		
DATE	2024.02.01		
BY	JHM		
CHECKED BY	JHM		
DATE	2024.02.01		
SCALE	1:1		
TITLE	Measurements Are In: ANSI D		
COMPANY	Raw Thrills, Inc.		
PROJECT	Minecraft (2-Player) System Diagram		
DATE	2024.02.01		
BY	JHM		
CHECKED BY	JHM		
DATE	2024.02.01		
SCALE	1:1		
TITLE	Measurements Are In: ANSI D		
COMPANY	Raw Thrills, Inc.		
PROJECT	Minecraft (2-Player) System Diagram		
DATE	2024.02.01		
BY	JHM		
CHECKED BY	JHM		
DATE	2024.02.01		
SCALE	1:1		
TITLE	Measurements Are In: ANSI D		
COMPANY	Raw Thrills, Inc.		
PROJECT	Minecraft (2-Player) System Diagram		
DATE	2024.02.01		
BY	JHM		
CHECKED BY	JHM		
DATE	2024.02.01		
SCALE	1:1		
TITLE	Measurements Are In: ANSI D		
COMPANY	Raw Thrills, Inc.		
PROJECT	Minecraft (2-Player) System Diagram		
DATE	2024.02.01		
BY	JHM		
CHECKED BY	JHM		
DATE	2024.02.01		
SCALE	1:1		
TITLE	Measurements Are In: ANSI D		
COMPANY	Raw Thrills, Inc.		
PROJECT			

SHEET 6: CONTROL PANEL - PLAYER 2



REV	DATE	BY	CHKD	DESCRIPTION
1				
2				
3				
4				
5				
6				
7				
8				
9				
10				
11				
12				
13				
14				
15				
16				
17				
18				
19				
20				

Raw Thrills, Inc.
 3441 Fwy Ave
 Las Vegas, NV 89102
 Tel: 702.731.1000
 Fax: 702.731.1001
 Email: raw@rawthrills.com

Minicart (2-Player) System Diagram

Measurements Are In: **ANSI D**