

ELECTRONIC ARTS®



SHADOW
OF THE
BEAST™



PSYGNOSIS:

MAKING GAMES PEOPLE PLAY

Psygnosis is an international software developer whose name has become synonymous with quality 16-bit games, with hit titles to its credit such as *Awesome*, *Barbarian* and *Lemmings*. Electronic Arts brought you their first Sega release, *Fatal Rewind*, and now we're proud to present Psygnosis' second Sega title to date: **SHADOW OF THE BEAST**.

WARNING TO OWNERS OF PROJECTION TELEVISIONS:

Still pictures or images may cause permanent picture-tube damage or mark the phosphor of the CRT. Avoid repeated or extended use of video games on large-screen projection televisions.

CONTENTS

| | |
|--------------------------------|---|
| Starting the Game | 1 |
| About the Game | 3 |
| Controls | 4 |
| Your Warrior's Objective | 6 |
| About the Artists | 7 |

STARTING THE GAME

1. Flip OFF the power switch on your Sega™ Genesis™. **Never insert or remove a game cartridge when the power is on.**
2. Make sure a Controller is plugged into the port labeled Control 1 on the Genesis Console.
3. Insert the game cartridge into the slot on the Genesis. To lock the cartridge in place, press firmly.
4. Turn ON the power switch.
The Electronic Arts® logo will appear. If you don't see it, begin again at step 1.
5. The next three screens introduce the game followed by the title screen and the High Scores screen.
6. Press START to play.





SHADOW OF THE BEAST

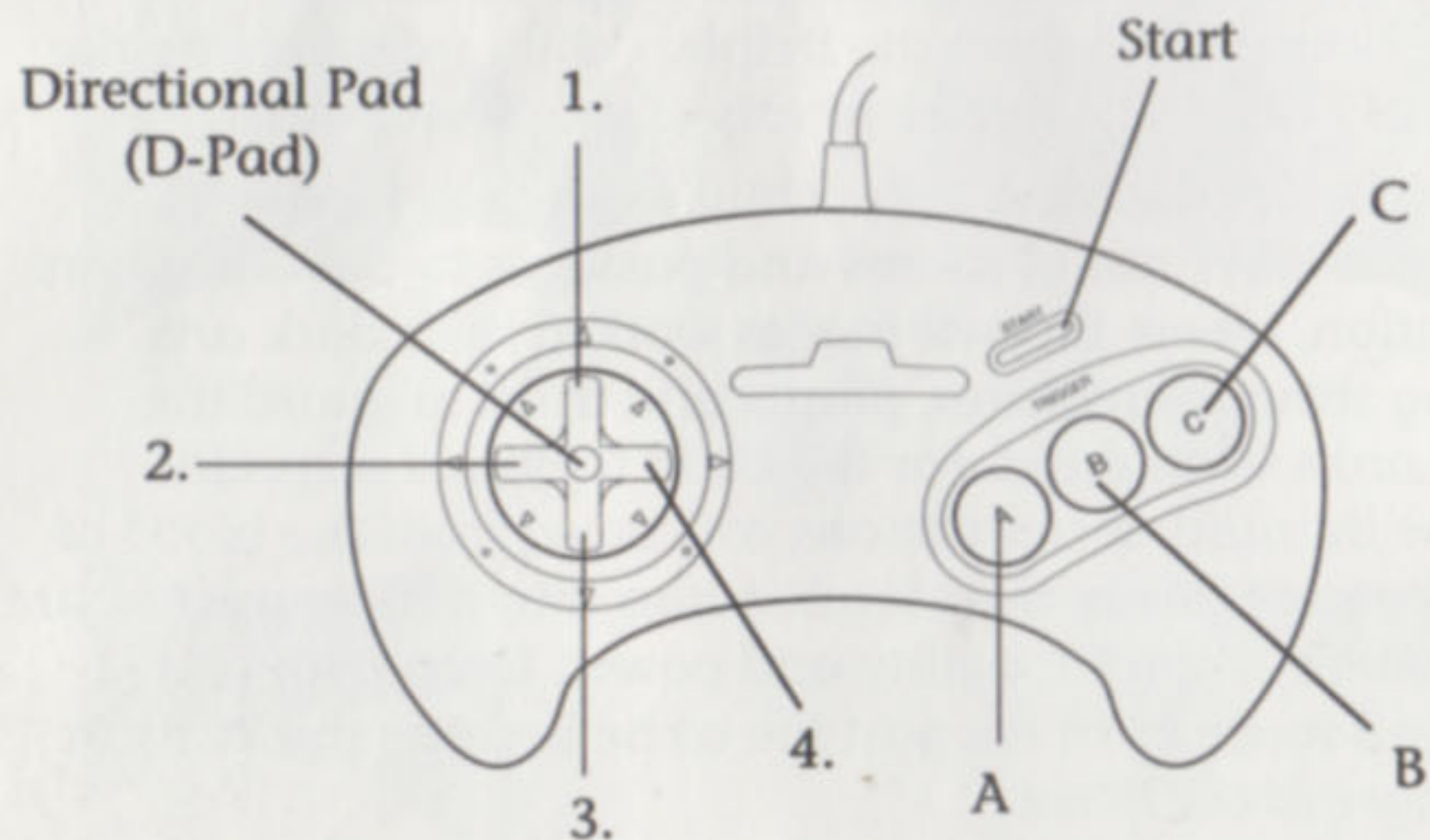
Many years ago on a moonless night, a small child was stolen away from his sleeping parents. His mysterious abductors carried him far across the land to the mighty temple Necropolis, where the helpless child was given to the Mages of Darkness, warrior priests of the Beast Lord.

Deep below the temple the child was carried, passing through a labyrinth of rooms and passages to the Chambers of Creation, where the evil mages worked their dark arts creating strange creatures, plants and traps to guard the Beast Lord's stronghold. For the child they had a special purpose in mind; secret potions concocted from the blood of rare creatures slowly transformed him into a hideous creature of incredible strength, agility and power. Deep hypnosis erased all memory of his past life as he became the Warrior Messenger of the Beast.

For many years the boy served the the Temple. Then came the fateful day when his memories came flooding back and he realized the truth about his past – a truth that now leads him on a trail of bloody revenge against his masters.

You were that boy, that Warrior –now the time has come to destroy those who destroyed your life. Your vengeance can only be fulfilled in ... the SHADOW OF THE BEAST!

CONTROLLING YOUR WARRIOR



- 1. Enter/Climb Up
- 2. Move Left
- 3. Crouch/Climb Down
- 4. Move Right

- A - Jump
- B - Punch/Kick/Fire/Pull Lever
- C - Jump
- START - Pause/Resume, Bypass Text

Use the D-Pad to move your warrior. If you are standing near a building or structure marked "IN", D-Pad UP to enter.

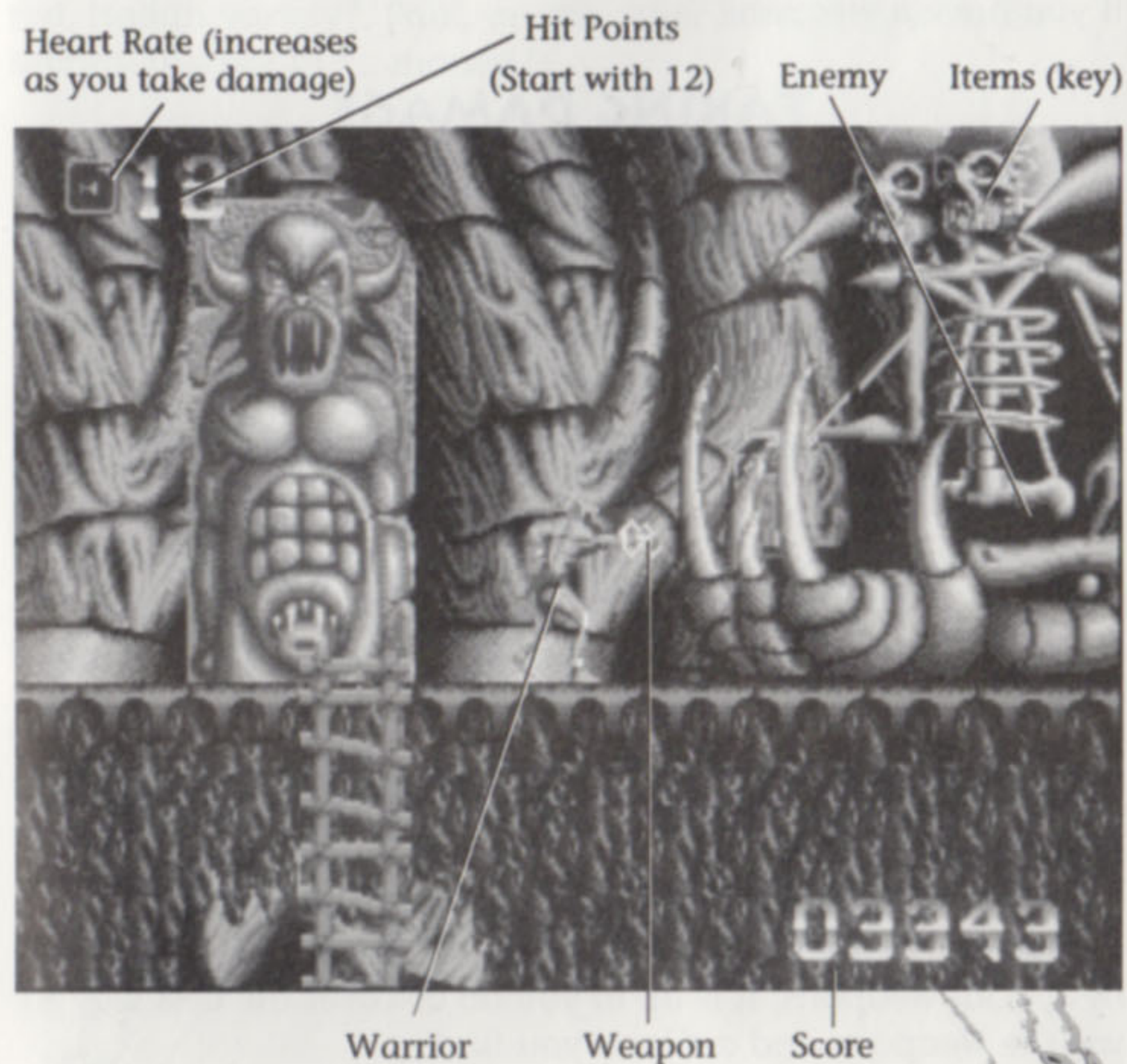
If you are on a ladder, D-Pad UP or DOWN to ascend or descend.

Note: Watch your step! Your warrior can survive a short fall, but stepping into a pit or off a high ledge will prove fatal!

SURVIVAL

- ▲ While running, press B to punch enemies or obstacles (some obstacles contain items you'll need).
- ▲ To kick an enemy, press A to jump, then press B to kick.
- ▲ If you're carrying a weapon, press B to fire.

SCREEN LAYOUT



YOUR WARRIOR'S OBJECTIVE

Fight your way through several different regions in order to reach the heart of the enemy's stronghold and face your ultimate adversary – the Beast Lord. The creatures you encounter on the way will invariably be hostile and will cause damage when they come into contact with you. Contact can be avoided by punching or kicking creatures away from you before they get too close, or by shooting them if you have a weapon.

TAKING DAMAGE

Your current heart-rate and number of Hit Points are shown on the monitor in the top left corner of the screen. Each time you are damaged:

1. Your heart-rate will increase — if it gets too high, your multiple hearts will burst resulting in instant death.
2. Your Hit Points will decrease — when they reach zero, you're dead.

WEAPONS AND ARTIFACTS

During your attack on the stronghold you will find various weapons and artifacts which will aid you on your quest. The artifacts you're carrying are shown at the top of your screen. Some items, such as potions, will have an instant effect which is shown onscreen.

Weapons are used instead of punching and kicking to destroy your enemies. Certain creatures can only be destroyed by special weapons; it is up to you to discover the best way to use the weapons and artifacts you find.



ABOUT THE ARTISTS

Martin Edmondson and Paul Howarth live and work in Newcastle, England. Both began degrees in Computer Science, but left school to pursue careers in game design. Previous titles include *Ballistix* for Psygnosis, *Ravenskull* and *Codename Droid* for the BBC microcomputer. Programming leaves this duo little time for outside activities, but each has other interests; Martin, for instance, likes "...cars of the fast, red, Italian variety". Paul, on the other hand, has a fundamental interest in "... money."

CREDITS

Design and Programming: **Martin Edmondson, Paul Howarth**

Art: **Reflections**

Producer: **Keith Francart**

Technical Director: **Steve Hayes**

Sounds and Music: **David Whittaker**

Product Management: **Chip Lange**

Package Design: **Lance Anderson**

Cover Illustration: **Roger Dean**

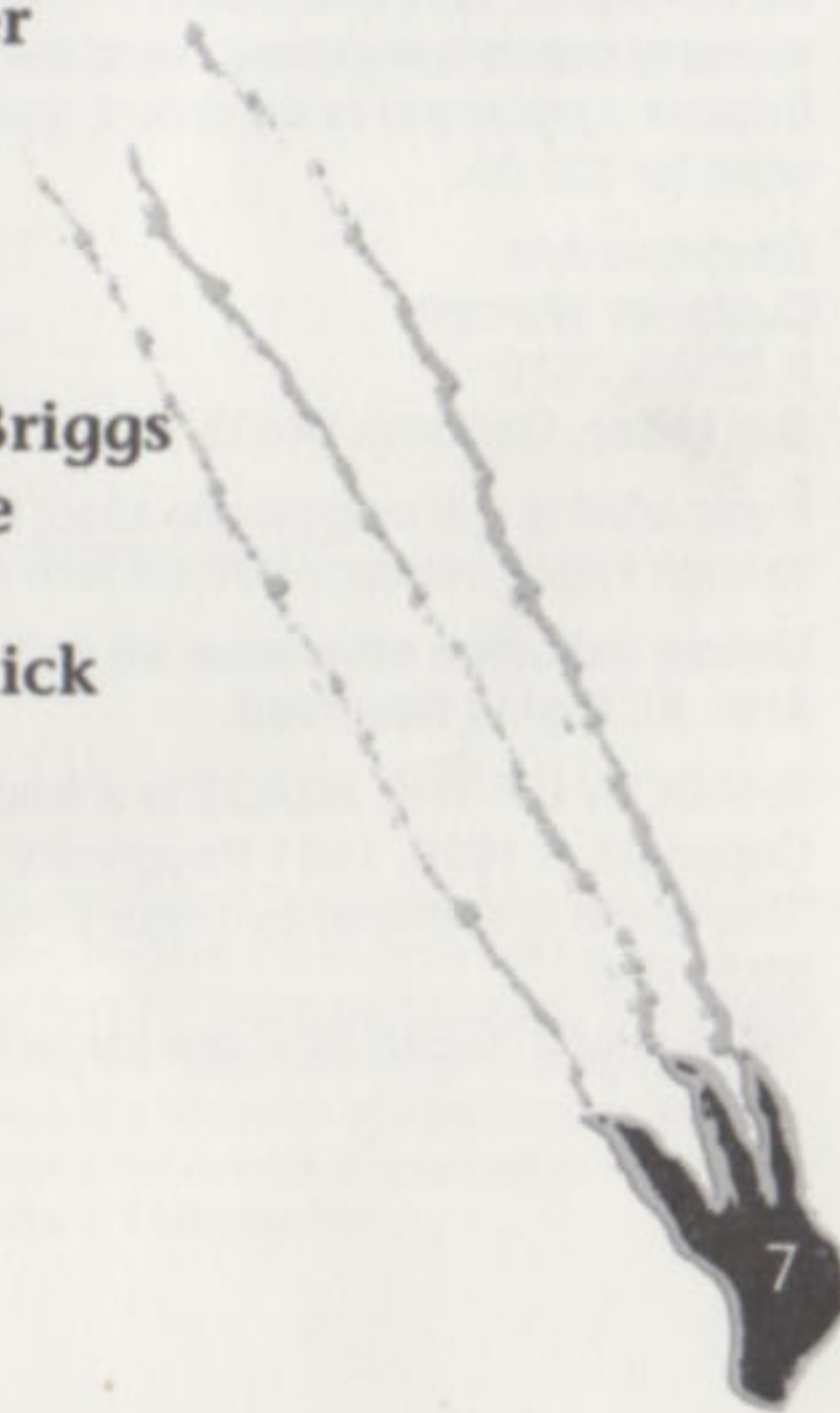
Documentation: **Marti McKenna**

Documentation Layout: **Chandler Briggs**

Manual Illustration: **Adrian Bourne**

Testing: **Jon Medek**

Quality Assurance: **Jonathan Skolnick**



ELECTRONIC ARTS LIMITED WARRANTY

WARRANTY - Electronic Arts warrants to the original purchaser of this Electronic Arts software product that the medium on which this computer program is recorded is free from defects in materials and workmanship for a period of ninety (90) days from the date of purchase. This Electronic Arts software program is sold "as is," without express or implied warranty of any kind, and Electronic Arts is not liable for any losses or damages of any kind resulting from use of this program. Electronic Arts agrees for a period of ninety (90) days to either repair or replace, at its option, free of charge, any Electronic Arts software product, postage paid, with proof of purchase, at the Electronic Arts Warranty Department. This warranty is not applicable to normal wear and tear. This warranty shall not be applicable and shall be void if the defect in the Electronic Arts software product has arisen through abuse, unreasonable use, mistreatment or neglect.

LIMITATIONS - THIS WARRANTY IS IN LIEU OF ALL OTHER WARRANTIES AND NO OTHER REPRESENTATIONS OR CLAIMS OF ANY NATURE SHALL BE BINDING ON OR OBLIGATE ELECTRONIC ARTS. ANY IMPLIED WARRANTIES APPLICABLE TO THIS SOFTWARE PRODUCT, INCLUDING WARRANTIES OF MERCHANTABILITY AND FITNESS FOR A PARTICULAR PURPOSE, ARE LIMITED TO THE NINETY (90) DAY PERIOD DESCRIBED ABOVE. IN NO EVENT WILL ELECTRONIC ARTS BE LIABLE FOR ANY SPECIAL, INCIDENTAL, OR CONSEQUENTIAL DAMAGES RESULTING FROM POSSESSION, USE OR MALFUNCTION OF THIS ELECTRONIC ARTS SOFTWARE PRODUCT.

Some states do not allow limitations as to how long an implied warranty lasts and/or exclusions or limitations of incidental or consequential damages so the above limitations and/or exclusions of liability may not apply to you. This warranty gives you specific rights, and you may also have other rights which vary from state to state.

RETURNS AFTER WARRANTY - To replace defective media after the ninety (90) day warranty period has expired, send the original cartridge to Electronic Arts' address below. Enclose a statement of the defect, your name, your return address, and a check or money order for \$20.00.

Electronic Arts
Customer Warranty
P.O. Box 7578
San Mateo, California 94403-7578

If you need to talk to someone about this product, call us at (415) 572-9448 Monday through Friday between 8:30 am and 4:30 pm, Pacific Time.

Unless indicated otherwise, all software and documentation is © 1991 Electronic Arts. All Rights Reserved.

SHADOW OF THE BEAST is a trademark of Psygnosis Ltd. used by permission. Copyright © 1990, 1991 Psygnosis Ltd. All rights reserved.

This game is licensed by Sega Enterprises Ltd. for play on the SEGA GENESIS SYSTEM.

"SEGA" and "GENESIS" are trademarks of Sega Enterprises, Ltd.

Get Real And Get It All with Electronic Arts Games for the Sega Genesis

SPORTS

NHL® Hockey
PGA TOUR® Golf
Lakers vs. Celtics and the NBA Playoffs™
John Madden Football™

ADVENTURE

Starflight™
The Immortal™
Might & Magic™: Gates to Another World
The Faery Tale Adventure™
King's Bounty™: The Conqueror's Quest
Sword of Sodan™

SIMULATION

F-22 Interceptor™ Advance Tactical Fighter

STRATEGY

Centurion™: Defender of Rome
Blockout™
Populous™

ACTION

Fatal Rewind™
Shadow of the Beast™
Road Rash™
Dark Castle™
Robocod™

James Pond™
Marble Madness™
Battle Squadron™
Budokan: The Martial Spirit™
Zany Golf™



Sega and Genesis are trademarks of Sega Enterprise, Ltd. NHL is a registered Trademark of the National Hockey League. PGA TOUR is a registered trademark. Used by permission. Blockout is a trademark of Kadon Enterprises, Inc and is used by permission. Battle Squadron and Sword of Sodan are trademarks of Innerprise Software, Inc. King' Bounty is a trademark of New World Computing, Inc. Might and Magic is a registered trademark of New World Computing, Inc. The Faery Tale Adventure is a trademark of MicroIllusions, Inc. Robocod and James Pond are trademarks of Millennium. Shadow of the Beast is a trademark of Psygnosis, Ltd. Used by permission. Unless specified, all titles are trademarks of Electronic Arts.

FIRST PRIZE IS YOUR LIFE!

Exclusive
Roger Dean
poster
included in
packages!



You've been dropped into the most terrifying death trap ever created. Blast your way through 12 frantic pits of death using laser bolts, triple shots or the nitroblaster. Hurry- lethal acid is constantly flooding the pit- one touch and you're history!



- Climb, jump and blast your way through 12 levels of hair raising action.
- Maximum offensive firepower- Strap sky missiles, mine sweepers or a dozen other weapons onto your battle armor!
- Fatal Rewind Feature- Change the past by stepping in and redirecting your previous escape attempts.

FATAL REWIND™



For play on Sega™ Genesis™ machine • Printed in the U.S.A.

Fatal Rewind is a trademark of Electronic Arts.

Electronic Arts Customer Service

P.O. Box 7578, San Mateo, CA 94403-7578

709105

ELECTRONIC ARTS®