

BLACKJACK & POKER

GAME INSTRUCTIONS

MG-315

BLACKJACK & POKER

CONTENTS	Pages
1. GAME OBJECTIVE	2
a) Blackjack	
b) Poker	
2. GETTING STARTED	4
a) Insert Cartridge	
b) Hand Controllers	
c) Game Selection	
3. GAME ONE – BLACKJACK	6
a) Start to play	
b) Guide to Game	
c) End of Game	
d) Start New Game	
4. GAME TWO – 5 CARD STUD	9
a) Start to play	
b) End of Game	
c) Start New Game	
5. GAME THREE – 7 CARD STUD	11
6. OPERATION FLOW DIAGRAM	12



L 8790

99

BLACKJACK

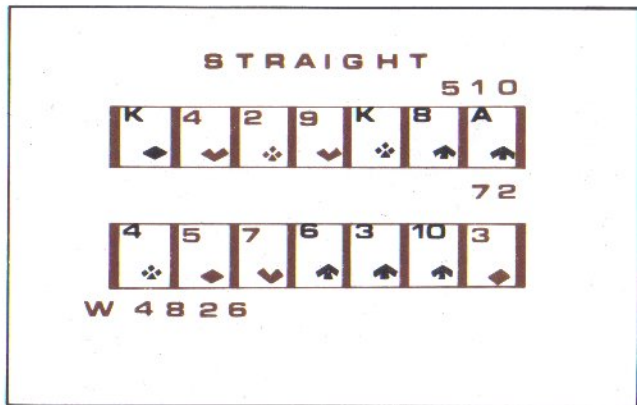
2 PAIR

293



W 8849

POKER (5 Card Stud)



POKER (7 Card Stud)

Hit, Stand and BUST for the dealer again. Play BLACKJACK and POKER against the computer and one or two players can play against the dealer (computer).

Place your bets and watch your wallet grow or shrink as Lady Luck and your own card playing skill dictate.

1. GAME OBJECTIVE

The cartridge contains three different games: a BLACKJACK and two POKER games, with one or two players options for each game.

a) BLACKJACK

The main objective of Blackjack is to score as close to, but no higher than 21. points in a single hand while beating the dealer's total. All numbered cards 2 through

10 count for their face value. An ace counts for either one or eleven points (player's choice). All picture cards (Jack, Queen and King) count for 10 points. The highest hand in this game is Blackjack, which has 21 points in two cards and therefore must include an ace and either a picture or a ten card. Whoever gets a Blackjack automatically wins. If your score is over 21 points, you lost. If your total score is 9, 10 or 11 in 2 cards, you can double your bet but you can enjoy have one card more. If you and the dealer have tie hands, it is a "Push" and nobody wins or loses.

b) POKER

In all Poker games, the order of hands from the highest down to the lowest is as follows:

Royal Flush – Ten, Jack, Queen, King, Ace, of one suit
(Spades, hearts, diamonds, or clubs)

Straight Flush – Five cards in order of the same suit,
but not as high as a Royal Flush

Four of a kind – Four like cards of the same kind

Full House – Three cards of one kind and two of
another kind.

Flush – Five cards of one suit. Note: in the event of
more than one player holding a flush, the flush
with the highest card wins. A flush in any suit is
as good as a flush in any other suit.

Straight – Five cards in sequence of any suit.

Two Pair – Two cards of one kind and two of another.

One Pair – Two cards of the same kind.

High Card – If no hand has so much a pair, then the
hand with the highest card wins.

(i) 5 Card Stud

The player with the highest Poker hand wins

(ii) 7 Card Stud

This is similar to the 5 Card Stud except each player is dealt seven cards instead of five. The player use the best five of his seven cards to make a hand and the one with the highest hand wins.

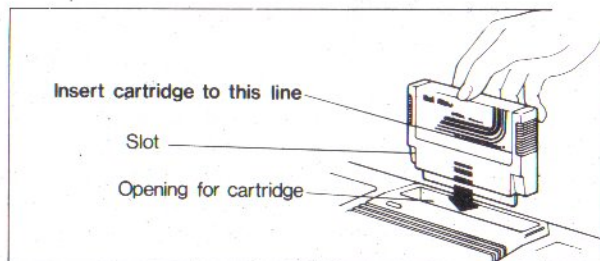
2. GETTING STARTED

Plug in the antenna cable and AC adaptor plug of the Master Console in accordance with the instructions given in the Master Console Installation Manual (MPT-03).

a) INSERT CARTRIDGE

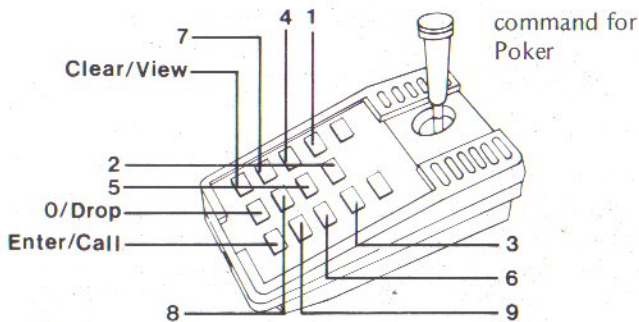
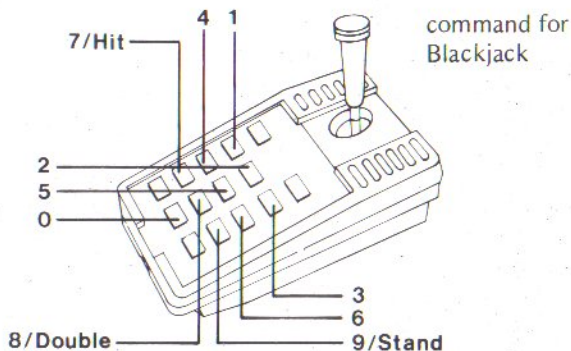
Slide the power switch of the Master Console to the OFF position. Hold the cartridge with the slots facing the player and insert into the cartridge opening.

Note: The Console should be switched OFF when inserting/removing the cartridge to avoid damage to the Master Console and the cartridge.



b) HAND CONTROLLERS

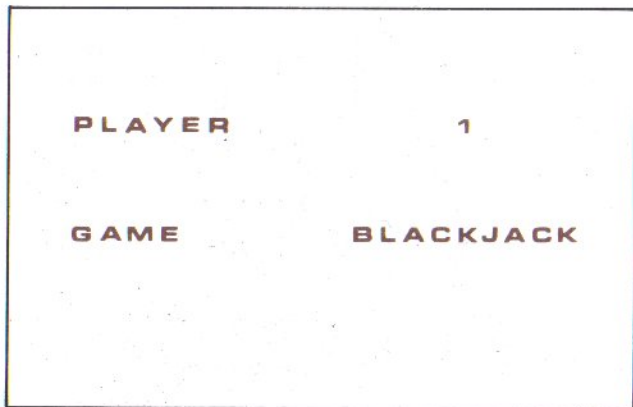
The joysticks are not used for this cartridge. Various command are controlled by the keys on the Hand Controllers. For the one player's version, only the left controller is used. For the two players' version, the second player uses the right controller.



c) GAME SELECTION

Switch on Master Console.

The first game, Blackjack with the 1 player's version appears on the TV screen. The one or two players' version can be selected by pressing button A whereas different games can be selected by pressing button B.



3. GAME ONE – BLACKJACK

Press button A –

to select 1 or 2 players against the computer

Press button B –

until Blackjack appears on the screen.

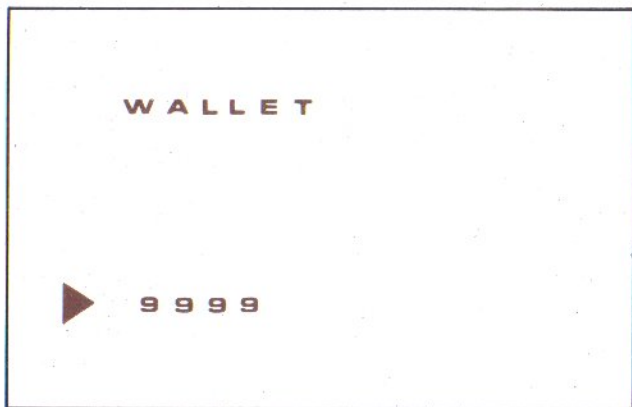
a) START TO PLAY

Press either GAME START button on the Console or ENTER key on the hand controller.

Wallet amount entry

The dealer will ask "WALLET". This is your pretend Bank and you inputs the theoretical amount of money you wishes to play with. The maximum amount is \$9,999 and \$1 is the minimum. Wrong entries can be corrected by re-entering the new amount.

After you have keyed in the wallet amount, press the ENTER key and the game will start.



Betting

The dealer will ask "BET". You may enter your bets similar to entering wallet amounts except the betting is restricted to a maximum of \$999. Press ENTER key and the computer will automatically deduct the bet from your wallet.

Guides to game

The dealer starts to deal the cards. Each player will be dealt 2 cards initially, and a flashing "HIT" asking whether the player wants to HIT, DOUBLE or STAND. The player responses by pressing the corresponding key on the hand controller.

HIT – If you decide you want another card. You can HIT as many times as you like until the total card is 21 or above.

DOUBLE – This can only be called if the total value of your first two cards is 9, 10 or 11. Only one card is dealt and a "+" sign will be shown next to your bet amount.

STAND – No more cards will be dealt. Win or lose depends on the dealer's hand.

Note:

- The dealer does not bet, he merely acts as a banker.
- If the dealer has a total of 17 or more points on his hand, he cannot draw another card. However, if he has fewer than 17 points, he must continue to deal himself cards until he reaches 17 or more points.
- For the two players' version, a black pointer indicates the player's turn to hit.

b) END OF GAME

The game will be over after the dealer has stopped dealing himself cards (i.e. he reaches 17 points or more) The winning/losing hand will have a "W" or "L" respectively shown alongside his wallet amount. In case of a push, "P" will be shown. The BET amount will be automatically added to your wallet if you win the game.

c) START NEW GAME

- (i) Press GAME START button or ENTER key if you want to continue to play Blackjack.
- (ii) Press button B if you want to select another game but retain your previous wallet amount. Then GAME START or ENTER.
- (iii) If you want to choose a new wallet amount, press CLEAR button on master console.

4. GAME TWO – 5 CARD STUD

Press button A –
for 1 or 2 players.

Press button B –
Until “5 CARD STUD” appears.

a) START TO PLAY

Press GAME START or ENTER.

Wallet amount entry

Enter your wallet amount as in the Blackjack Game. (If wallet from previous game is retained, no wallet amount request will be shown and the game will start immediately.)

b) GUIDE TO GAME

Each player will ante \$1.00 initially. The POT will therefore shown \$2 for the 1 player's version and \$3 for the 2 players' version. Two cards are dealt one “down” and one “up” to each player. The Dealer will ask “BET” and the player with the highest hand (indicated by a black pointer) can CALL, RAISE or DROP.

- (i) RAISE – you can raise if you feel you have a strong hand. Raised amount maximum \$99 can be entered by pressing the numbers on the hand controller and

then ENTER key.

- (ii) CALL – to match the preceding BET, press the ENTER key only.
- (iii) DROP – If you don't think you can win and want to drop out, press the DROP key, and your cards will be turned face down.

Note:

- Raised or called amount will be automatically deducted from your wallet.
- All face down cards can be reviewed by pressing the VIEW/CLEAR button.
- If the Call or Raise amount exceeds the Wallet amount, only CALL is allowed with the wallet amount reduced and shown with “-” sign.

c) END OF GAME

After all the cards have been dealt and all bets called, all “down” cards will be turned over. A “W” will appear along the winning hand and the pot amount will be automatically added to the winner's wallet.

d) START NEW GAME

- (i) Press GAME START or ENTER to restart the same game
- (ii) Press Button B to choose another game but retain the wallet amount.
- (iii) Press CLEAR button for new wallet amount.

5. GAME THREE — 7 Card STUD

The rules for the 7 Card Stud are identical to those for the 5 Card Stud except:

- Each player is dealt 7 cards instead of 5
- There are 3 “down” cards instead of one. They are the first, second and the seventh cards.
- The first round of betting takes place after the third card is dealt.
- The player uses the best five out of his seven cards to make his highest hand.

6. OPERATION FLOW DIAGRAM

