


VS.DUCK HUNT

(Operation Manual)

MDS(MGS)

I. How to install Software ROMs

Each Software ROM is labeled with a Location Number shown on it ( Shaded Portion illustrated below), which indicates the corresponding location on the P.C. Board where it should be installed.

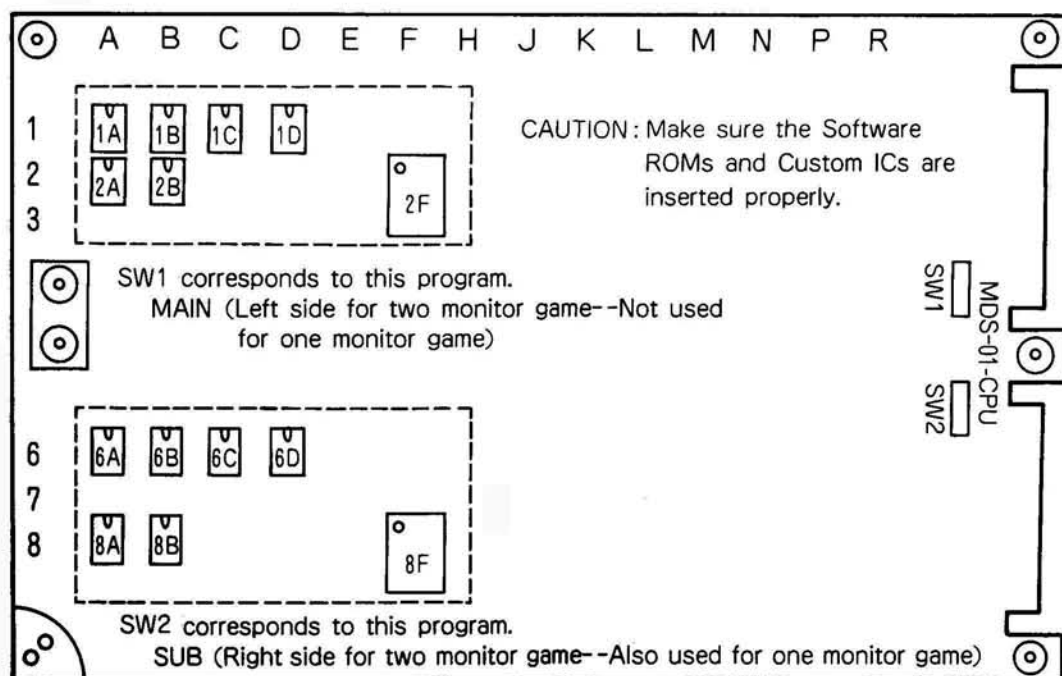


(Label on Software ROM)

"VS.DUCK HUNT" contains 6 Software ROMs, and 1 Custom IC, which have location numbers, 1A or 6A, 1B or 6B, 1C or 6C, 1D or 6D, 2A or 8A, 2B or 8B and 2F or 8F. Each ROM and IC must be mounted into the proper IC Socket.

For VS.DUAL SYSTEM (two monitors): If "DUCK HUNT" is to be installed in main (left) side of cabinet, then EPROMs and Custom IC should use locations 1A, 1B, 1C, 1D, 2A, 2B and 2F. For sub (right) side, use locations 6A, 6B, 6C, 6D, 8A, 8B and 8F.

For VS.UNISYSTEM (one monitor): "DUCK HUNT" EPROMs and Custom IC must use locations 6A, 6B, 6C, 6D, 8A, 8B and 8F (sub side).

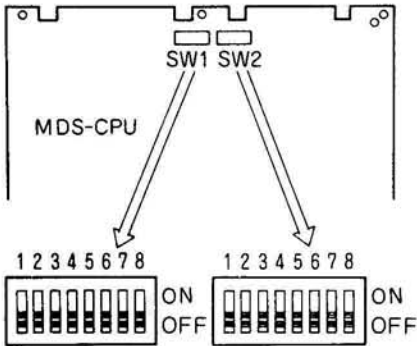


ROM and IC Location on P.C. Board

NOTE: "VS.DUCK HUNT" can be interchanged between left and right side on two monitor game.

2. Points and methods of adjustment

Game Option Settings MDS P.C. Board



SW1...MAIN (Left side for two monitor game--Not used for one monitor game)

SW2...SUB (Right side for two monitor game--Also used for one monitor game)

MDS FOR VS.DUCK HUNT

		SW1(SW2)							
		1	2	3	4	5	6	7	8
Coin/Credit	1/1	OFF	OFF	OFF					
	1/2	OFF	OFF	ON					
	1/3	OFF	ON	OFF					
	2/1	OFF	ON	ON					
	3/1	ON	OFF	OFF					
4/1	ON	OFF	ON						
	ON	ON	OFF						
Free Play	ON	ON	ON						
Difficulty	Easy	1			OFF	OFF			
		2			ON	OFF			
		3			OFF	ON			
	Hard	4			ON	ON			
Number of Miss Per Game	3						OFF		
	5						ON		
Bonus Miss Awarded At	30,000							OFF	OFF
	50,000							ON	OFF
	80,000							OFF	ON
	100,000							ON	ON