

SEGA[®]

CHOPLIFTER

INSTRUCTION MANUAL

FOR HORIZONTALLY
MOUNTED MONITOR

SEGA ENTERPRISES, INC.

2149 PARAGON DR. SAN JOSE, CA 95131

(408) 435-0201

CONTENTS

- RECOMMENDED WIRING DIAGRAM
- WIRING ROUTING (MAIN HARNESS)
- WIRING ROUTING (CONTROL PANEL HARNESS)
- OPTION SWITCHES / DC POWER REQUIREMENTS
- KIT CONTENTS

CONVERSION KIT CONTENTS

- PC Board
- Generic Main Wiring Harness
- Control Panel Wiring Harness
- 8 Way Joystick Assembly
- Screws and Nuts for Joystick (4)
- Push Button Assemblies (6)
- Control Panel Overlay
- Monitor Card
- Side Decals (2)
- Plastic Marquee
- Instruction Manual
- License Seal

PREVENTION OF COUNTERFEITING AND CONVERSION

LABELING

To prevent counterfeits and conversions, the following labels are put on all the SEGA products. When handling such goods, be sure to confirm the labels. They are used to prevent illegal acts such as the unauthorized copying of the products and the printed circuit boards thereof or carrying on business by manufacturing similar merchandise or by converting, selling or using such products or printed circuit boards.

ORIGINAL SEAL

The following seal is put on the machines manufactured by SEGA.



LICENSE SEAL

The following seal is put on the kits, such as the printed circuit boards, of SEGA products.



COPYRIGHT NOTICE

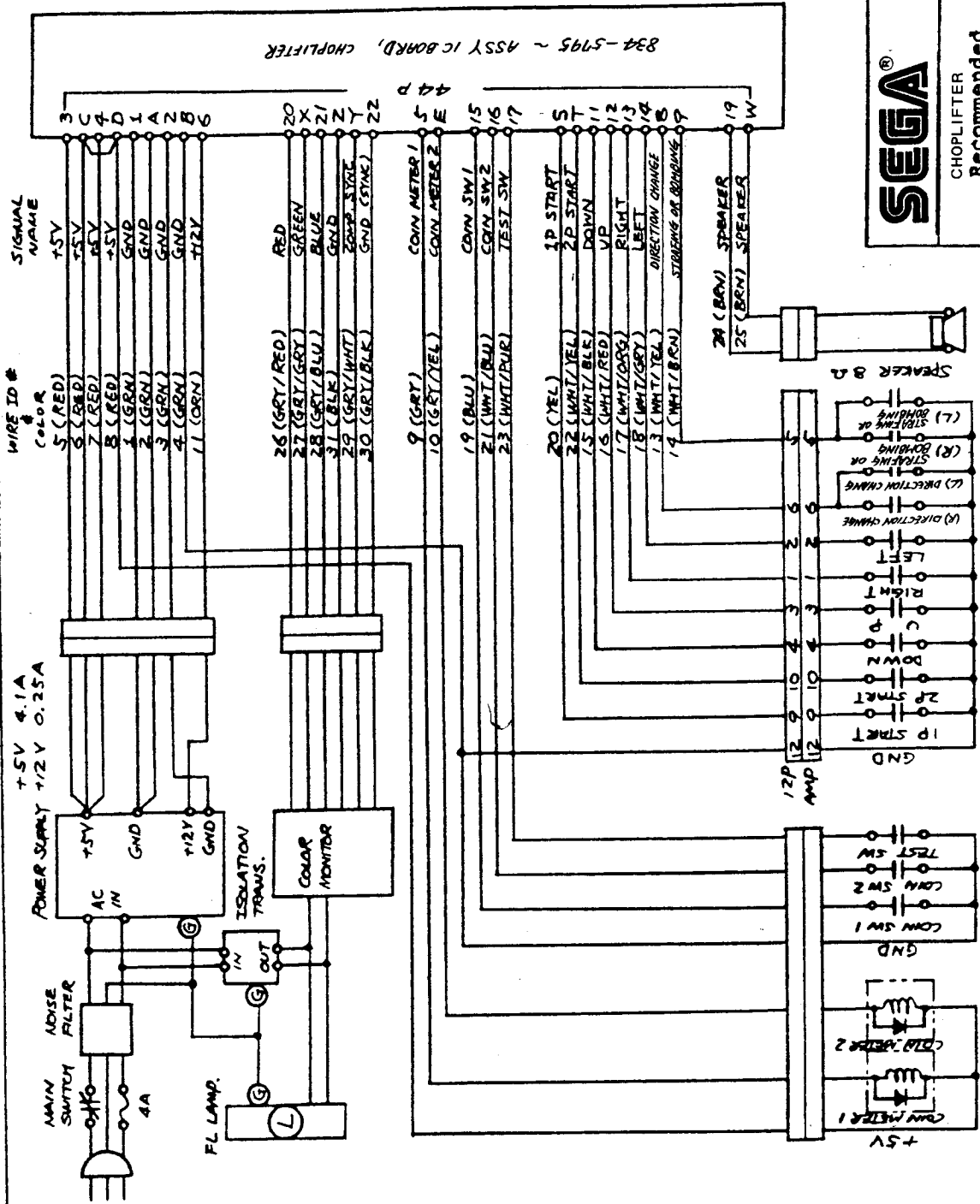
This SEGA product has the copyright notice as follows:

© SEGA 1985

This signifies that this work was disclosed in 1985 and is the property of SEGA ENTERPRISES, LTD.

NOTICE WARNING

After installation of this kit , the 5 volt power supply must be checked and adjusted to make certain exactly 5 volts are present at pins 1 & 3 (1 is negative and 3 is positive) of the 44 pin edge connector. The voltage check and adjustment must be done while the PCB is plugged in to the 44 pin connector to supply the proper load. This PCB will not operate properly on voltages below 5 volts as measured at the board.



SEGA[®]
 CHOPFLIFTER
 Recommended
 Wiring Diagram

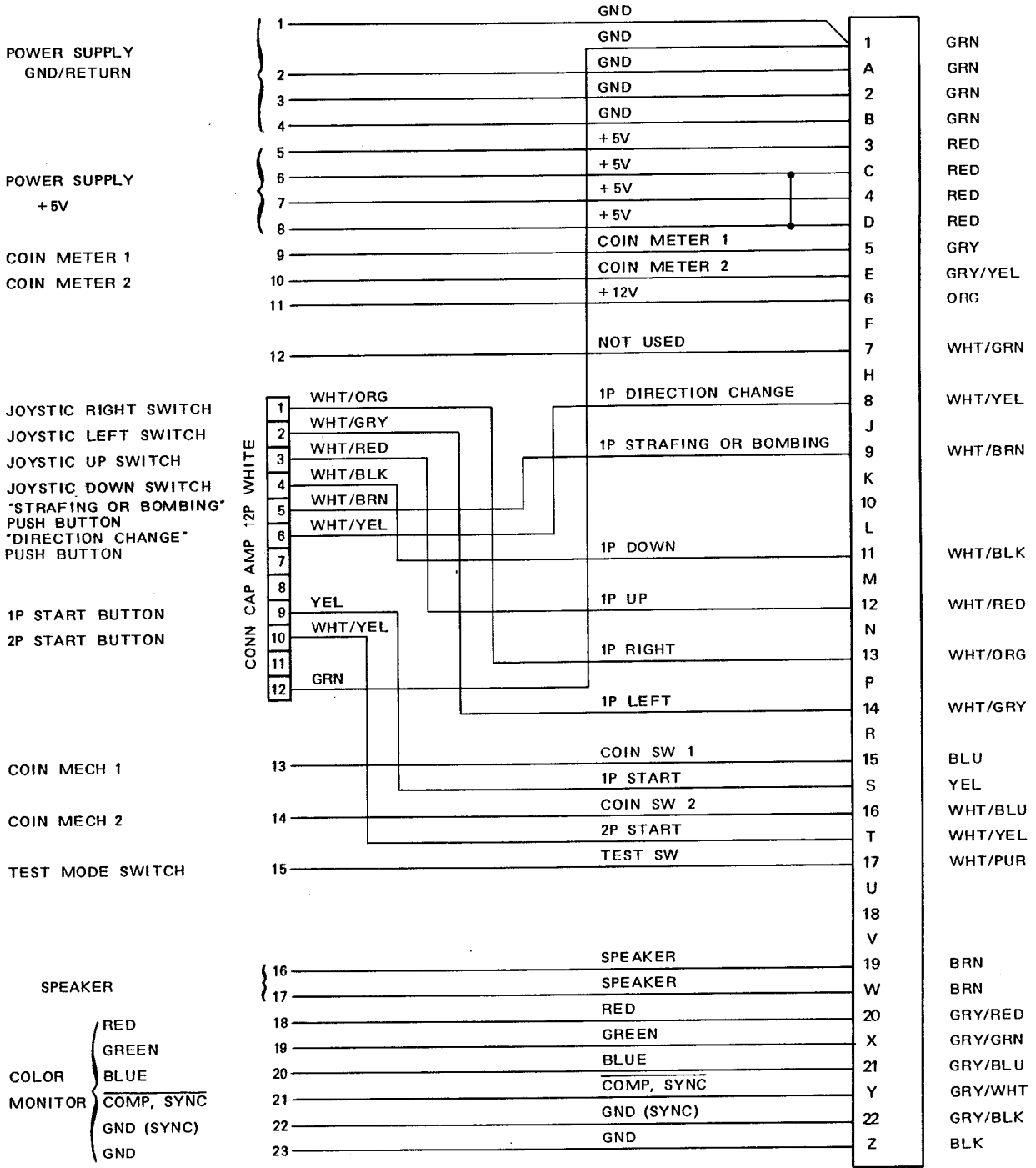
5/21/78

DISTINATION

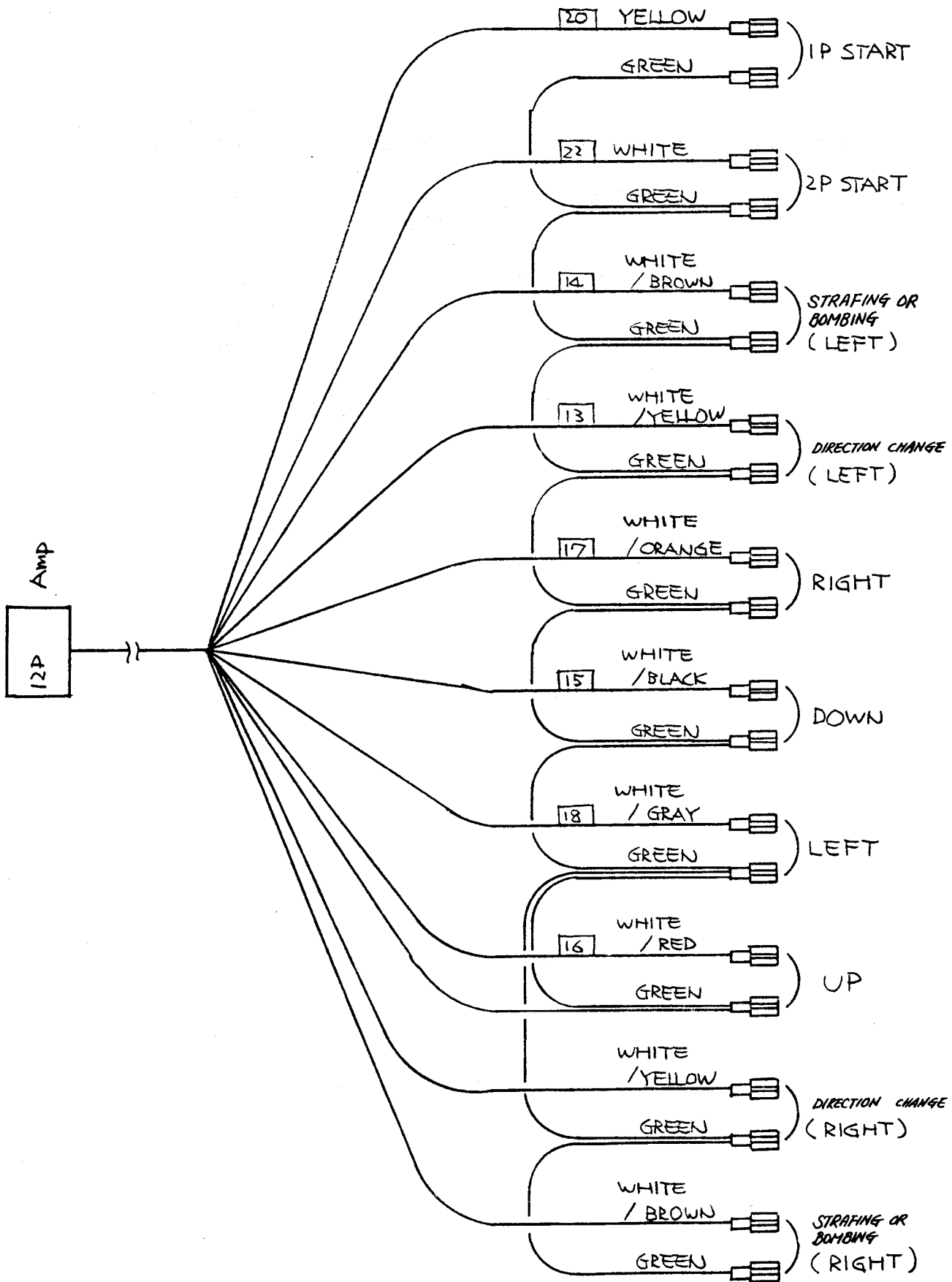
WIRE ID # SIGNAL NAME

44 PIN
EDGE CONNECTOR

WIRE COLOR



CHOPLIFTER WIRE ROUTING

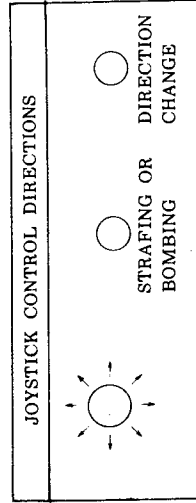
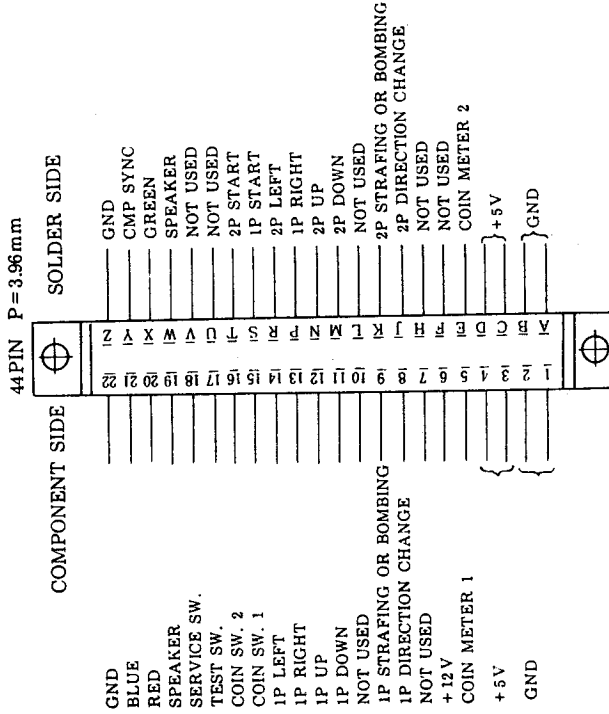
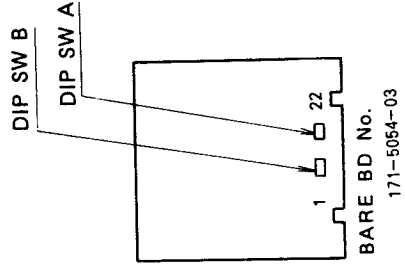
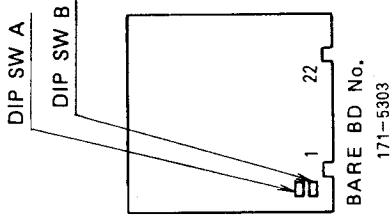


CONTROL PANEL HARNESS

CHOPLIFTER (834 - 5795)

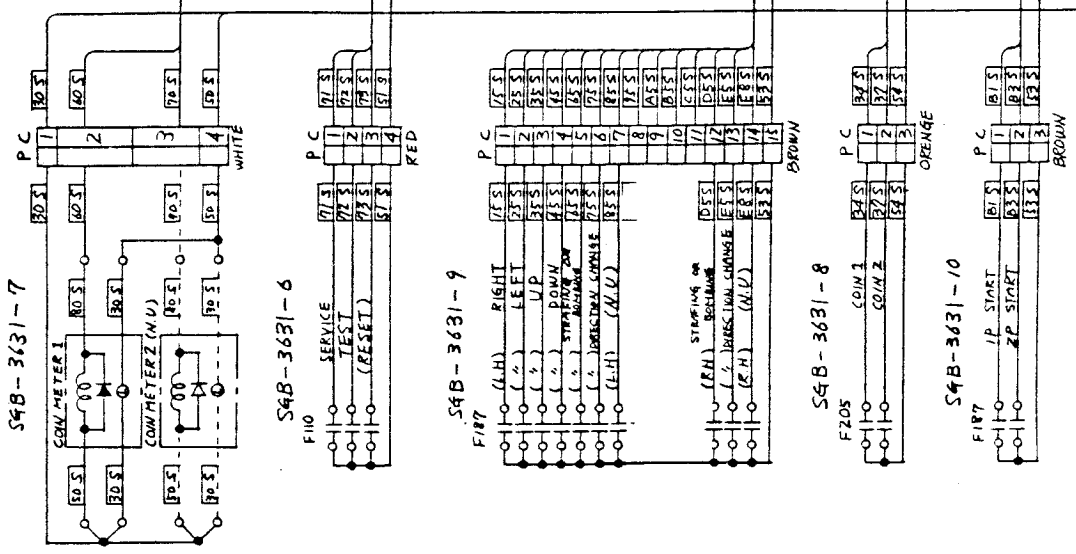
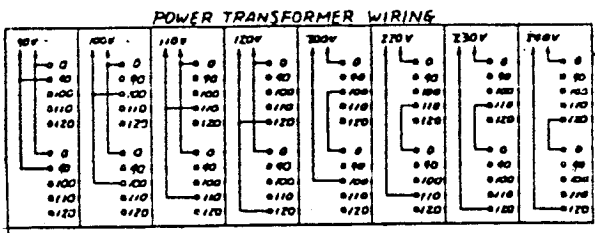
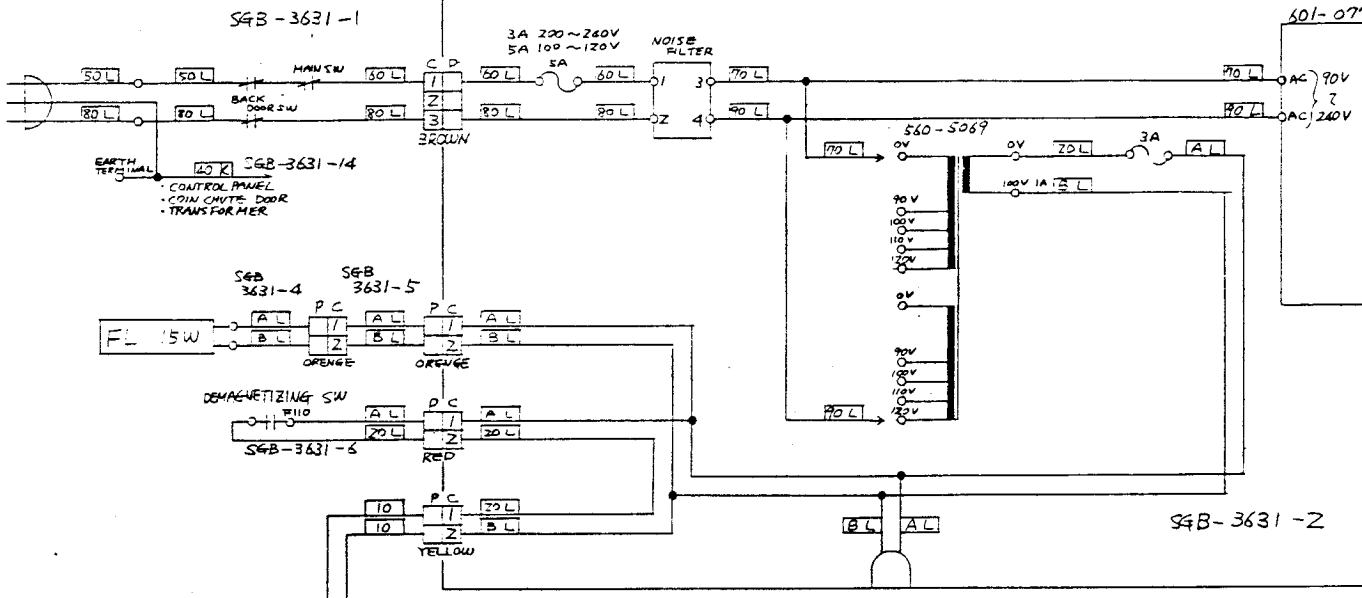
COIN / CREDIT OPTION SWITCH SETTING	DIP SWITCH #A							
	1	2	3	4	5	6	7	8
1 COIN 1 CREDIT	OFF	OFF	OFF	OFF	OFF	OFF	OFF	OFF
1 COIN 2 CREDITS	ON	OFF	OFF	OFF	OFF	OFF	OFF	OFF
1 COIN 3 CREDITS	ON	ON	OFF	OFF	OFF	OFF	OFF	OFF
1 COIN 4 CREDITS	ON	ON	OFF	OFF	OFF	OFF	OFF	OFF
1 COIN 5 CREDITS	ON	OFF	ON	OFF	OFF	OFF	OFF	OFF
1 COIN 6 CREDITS	ON	OFF	ON	OFF	OFF	OFF	OFF	OFF
2 COINS 1 CREDIT	ON	ON	ON	OFF	OFF	OFF	OFF	OFF
2 COINS 1 CREDIT	ON	OFF	OFF	ON	OFF	OFF	OFF	OFF
2 COINS 2 CREDITS	ON	ON	OFF	ON	OFF	OFF	OFF	OFF
2 COINS 3 CREDITS	ON	ON	OFF	ON	OFF	OFF	OFF	OFF
2 COINS 4 CREDITS	ON	ON	OFF	ON	OFF	OFF	OFF	OFF
2 COINS 5 CREDITS	ON	ON	OFF	ON	OFF	OFF	OFF	OFF
2 COINS 6 CREDITS	ON	ON	OFF	ON	OFF	OFF	OFF	OFF
1 COIN 1 CREDIT	ON	OFF	ON	ON	OFF	OFF	OFF	OFF
2 COINS 2 CREDITS	ON	OFF	ON	ON	OFF	OFF	OFF	OFF
3 COINS 3 CREDITS	ON	OFF	ON	ON	OFF	OFF	OFF	OFF
4 COINS 4 CREDITS	ON	OFF	ON	ON	OFF	OFF	OFF	OFF
5 COINS 5 CREDITS	ON	OFF	ON	ON	OFF	OFF	OFF	OFF
1 COIN 1 CREDIT	ON	ON	ON	ON	ON	ON	ON	ON
2 COINS 2 CREDITS	ON	ON	ON	ON	ON	ON	ON	ON
3 COINS 3 CREDITS	ON	ON	ON	ON	ON	ON	ON	ON
4 COINS 4 CREDITS	ON	ON	ON	ON	ON	ON	ON	ON
5 COINS 5 CREDITS	ON	ON	ON	ON	ON	ON	ON	ON
1 COIN 1 CREDIT	ON	ON	ON	ON	ON	ON	ON	ON
2 COINS 2 CREDITS	ON	ON	ON	ON	ON	ON	ON	ON
3 COINS 3 CREDITS	ON	ON	ON	ON	ON	ON	ON	ON
4 COINS 4 CREDITS	ON	ON	ON	ON	ON	ON	ON	ON
5 COINS 5 CREDITS	ON	ON	ON	ON	ON	ON	ON	ON

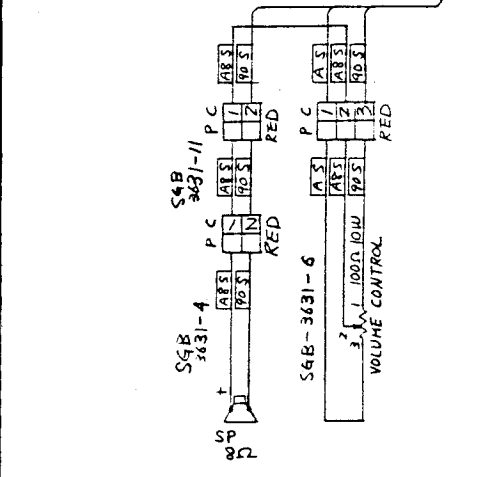
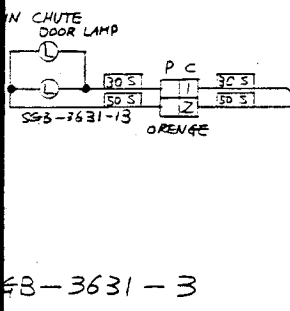
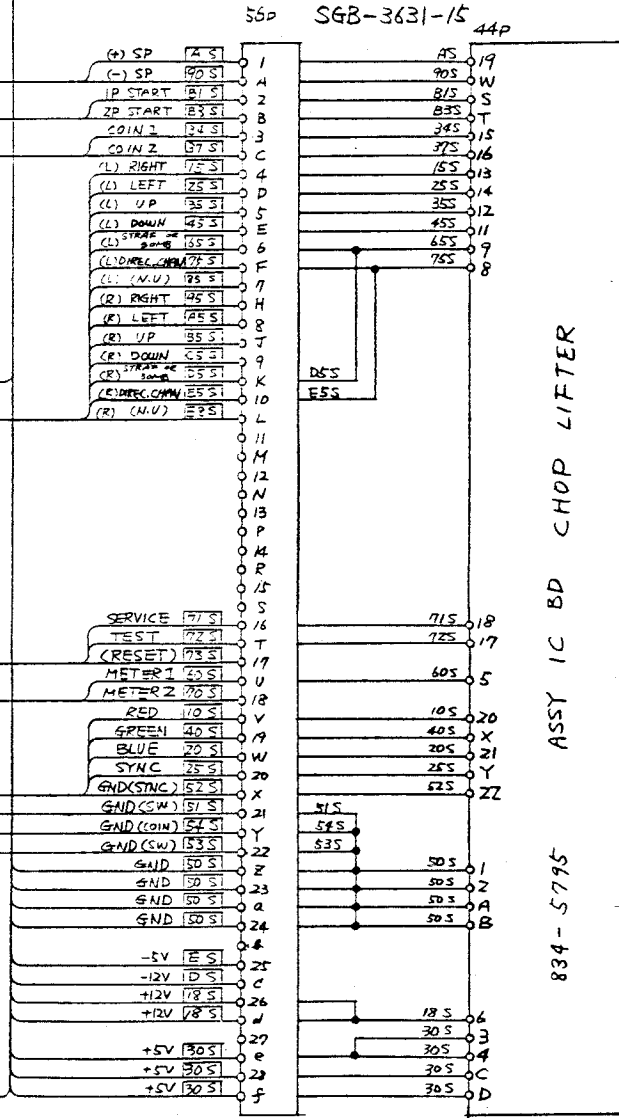
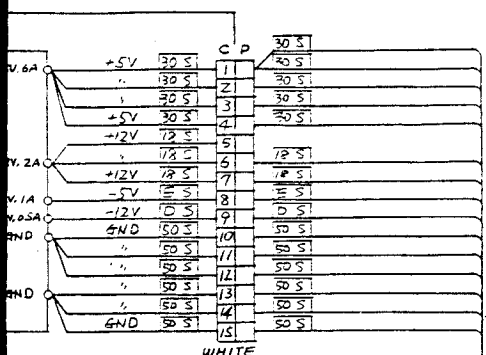
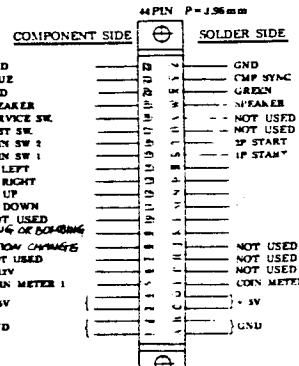
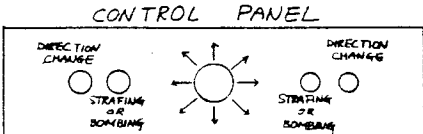
OPTION SWITCH SETTING	DIP SWITCH #B							
	1	2	3	4	5	6	7	8
TABLE UPRIGHT	OFF	ON						
ADVERT TISE	OFF	ON						
SOUND	OFF	ON						
PLAYER 3			OFF	OFF				
HELICOPTER 2			ON	OFF				
FREE 4			OFF	ON				
SCORE OF 20000, 70000			ON	ON				
ADDITIONAL 120000, 170000			ON	ON				
PLAYER 50000, 100000			ON	ON				
PLAYER 150000, 200000			ON	ON				
GAME DIFFICULTY								
EASY							OFF	
HARD							ON	



SUPPLY VOLTAGES & CURRENT	
VOLTAGE	CURRENT
DC5V	4.5 A
DC12V	0.25 A

UC-4000





	VOLTAGE	110V	200V	220V	230V	240V	120V
		W	W	W	W	W	W
STAND-BY							125
MAXIMUM							
POWER CONSUMPTION							
ALTERATION							
52	WHITE BLUE						CIRCLE IN THE SWITCH SYMBOLS INDICATOR OPERATION BY A MOTOR
51	WHITE RED						
50	WHITE						MAKE AND BREAK SWITCH
	EXAMPLES						
K	KARD WIRE (SOLID)						NORMALLY CLOSED SWITCH OPER WHEN ENERGIZED
L	LASSER WIRE						
J	JAMPER WIRE						NORMALLY OPEN SWITCH CLORED WHEN ENERGIZED
F	LIGHT GREEN						
D	PURPLE						SWITCH SYMBOLS
C	BROWN						
B	SKY BLUE						WHITE
A	PINK						
9	GRAY						GREEN
8	BLACK						
7	ORANGE						YELLOW
6	MAROON						
5	WHITE						RED
4	GREEN						
3	YELLOW						BLUE
2	BLACK						
1	RED						
COIL LOCATIONS		RELAY LOCATIONS		ABBREVIATIONS USED		WIRE COLOR CODE	
SEGA CHOP LIFTER EXPORT (AC 100~240V) 50/60 Hz							
DESCRIPTION							
T.W.G. CHART NO. 884-3							
SCHEMATIC DIAGRAM NO.							