

*MIDWAY*

# **STRIKE FORCE™**

## **OPERATIONS MANUAL**

including:

**Game Operation & Adjustment  
Game Testing & Problem Diagnosis  
Parts Information  
Reference Diagrams & Schematics**

MIDWAY MANUFACTURING  
3401 N. California Avenue  
Chicago, IL 60618



# The Saga of STRIKE FORCE

In the year 2020 the first alien contact is made. From the farthest reaches of the galaxy comes a distress call. The Saurians, an evil reptilian race bent on conquering the universe, are currently invading the human colonized Beta System. The Saurians mutate all life forms they encounter into slaves for their evil empire. The only hope for the colonists and, perhaps, all of mankind is an elite team of fighters able to respond to the initial invasion.

Each player controls a Strike Force composed of a rocket fighter and a team of space marines in their powered battle armor. They must travel throughout the planets of the Beta System, battling the Saurians and their vicious minions. Unfortunately, defeating the Saurians on the planets surface is not enough. The Saurian megastar, which brought the alien invaders, is circling the solar system launching dreadnaughts. These large dangerous motherships travel to the planets delivering a never-ending supply of invading Saurians. The players need to destroy the dreadnaughts to prevent the retaking of their hard won planets. Ultimately though, they must attempt the destruction of the Saurian Megastar "Apocalypse" to end the invasion and win on the Saurian Front.

## STRIKE FORCE Game Play

STRIKE FORCE is a one, or two-player game in which two players play simultaneously. Unlimited buy-ins are allowed at any time for either player. STRIKE FORCE is unique because it has unlimited open ended game play and an ultimate goal, which allows the players to win. Most games provide the player with a fixed series of encounters that do not change from game to game, STRIKE FORCE puts the player in charge of battling his/her way through a realistic environment. The player not only chooses where to go across a 3D- looking planetary surface, but also which weapon to use from an arsenal that accumulates as the game progresses. Once the Saurians are conquered on a planet, the player pilots his/her interplanetary shuttle to one of 22 different planets.

The Megastar is 40 screens long. The ultimate challenge of STRIKE FORCE is to chase down, enter, and get to the core of the enemy Megastar.

# **STRIKE FORCE**

# TABLE OF CONTENTS

## Section 1 Operation and Troubleshooting

<b>Safety</b>	1-2
<b>Set-up Procedure</b>	
Installation & Inspection	1-3
Location Requirements	1-3
Cabinet Assembly & Control Panel Diagram	1-4
<b>Servicing</b>	1-5
<b>Game Features</b>	
Start-up	1-7
Player Controls	1-7
<b>Game Operation</b>	
Control Switches	1-8
Control Switch Location Diagram	1-8
<b>Game Audits, Diagnostics &amp; Adjustments</b>	
Operation	1-9
Game Audits	1-9
Audit Table	1-9
Diagnostic Tests	1-10
RAM & ROM Tests	1-10
Music Tests	1-10
Screen Tests	1-10
Switch Tests	1-10
Burn-in Test	1-10
Game Adjustments	1-11
<b>Troubleshooting</b>	1-13

## Section 2 Parts Information

Cabinet & Speaker Parts	2-2
Lamp, PC Boards, Transformer & Control Panel	2-3
Monitor, Cables, & Manuals	2-4
Audio Board	2-5
CPU Board	2-6
Power Supply	2-8

## Section 3 Diagrams and Schematics

Audio Board Schematic	3-2
CPU Schematic	3-3
JAMMA Chart	3-19
Cabinet Wiring	3-20
Power Wiring & Transformer Chart	3-21
Interboard Wiring	3-22
Control Panel Wire Colors	3-23

**S E C T I O N**  
**one**

---

---

**Operation and Troubleshooting**

# Safety Notices

The following safety hints apply to all game operators and service personnel. Specific warnings and cautions will be found throughout this manual where they apply. We recommend that you read this page, and also all of Section 1, before preparing your game for play.

## WARNINGS

**AC POWER CONNECTION.** Before connecting the game to the AC power source, verify that the "line voltage selection chart" jumper wires are installed correctly for the line voltage in your area. For details, refer to Section 3.

**PROPERLY GROUND THE GAME.** To avoid electrical shocks, do not plug in the game until it has been inspected and properly grounded. MIDWAY games should only be plugged into a grounded 3-wire outlet. Shocks will also result, if the control panel is not properly grounded. After servicing any parts on the panel, assure that the ground wires are secure. Only then should you lock up the game.

**DISCONNECT POWER DURING REPAIRS.** To avoid electrical shock, disconnect the game from the AC power source before removing or repairing any part of the game. When removing or repairing the monitor, extra precautions must be taken to avoid electrical shock because high voltages may exist within the monitor circuitry and cathode ray tube (CRT) even after power has been disconnected. Do not touch internal parts of the display with your hands or metal objects! Always discharge the CRT. Attach one end of a large, well-insulated, 20-kV jumper to ground. Momentarily touch the free end of the grounded jumper to the anode by sliding it under the anode cap. Wait two minutes and discharge the anode again.

**USE THE PROPER FUSE.** To avoid equipment damage, use the replacement fuse which is specified in the parts list for this game. The replacement fuse must match the original fuse in fuse type, voltage rating, and current rating.

**HANDLE FLUORESCENT TUBE AND CRT WITH CARE.** If you drop a fluorescent tube or CRT and it breaks, it will implode! Shattered glass can fly eight feet or more from the implosion.

## CAUTION

**PROPERLY ATTACH ALL CONNECTORS.** *Make sure that the connectors on each printed circuit board are properly connected. If they do not slip on easily, do not force them. A reversed connector may damage your game and void the warranty. All connectors are keyed to fit specific pins on each board.*

---

---

# Setup Procedure

## Installation and Inspection

1. Remove the game from its shipping carton, and inspect the exterior of the cabinet for any signs of damage. Remove the shipping cleats from the bottom of the cabinet.
2. Remove keys from the taped coin return slot (or attached to joystick). Unlock and open the coin and cash box doors. (Leg levelers and spare parts are stored in the cash box.)
3. Locate the four threaded holes on the bottom of the cabinet (one in each corner), and install one leg leveler (with its hex nut) in each hole.
4. Stand the cabinet upright and make certain that it is in a stable position. Level the cabinet.
5. Unscrew (or unlock) and remove the rear doors/panels of the cabinet. Inspect the interior for any signs of damage. Check all major assemblies to assure that they are mounted securely.
6. Refer to the game's cabinet wiring diagram (Section 3), and check to see that all cable connectors are correctly secured and firmly seated. **DO NOT FORCE CONNECTORS.** Watch for damaged connectors and avoid making reversed connections.
7. Line Voltage Selection. Your game is designed to work on the line voltage where you are located. Determine the value of your line voltage with a meter. Then, check the power input wires to the main power supply transformer on your game to be sure they are connected to taps which correspond to your local line voltage. If necessary, reconnect the power input wires to the transformer in accordance with the Transformer Chart in Section 3.

If the line voltage in your area falls outside the upper or lower limits of the range of voltage inputs covered by the main power supply transformer, **DO NOT PLUG YOUR GAME IN** until you have contacted your distributor or the MIDWAY Service Department and obtained a solution to the problem. Otherwise, you could damage your game.

8. Lay the line cord (connected to the Power Chassis) in the slot along the bottom edge of the lower rear cabinet door/panel. Install the rear cabinet door/panel and screw (lock) securely. Close and lock the front coin and cash box doors.
9. Connect the line cord to a grounded (3-terminal) AC wall outlet.
10. Switch ON the game, using the ON/OFF switch located on the upper left rear of the cabinet, to verify proper operation.

## GAME LOCATION REQUIREMENTS

### Power

Domestic 115V @ 60 Hz  
Foreign 230V @ 50 Hz

### Temp.

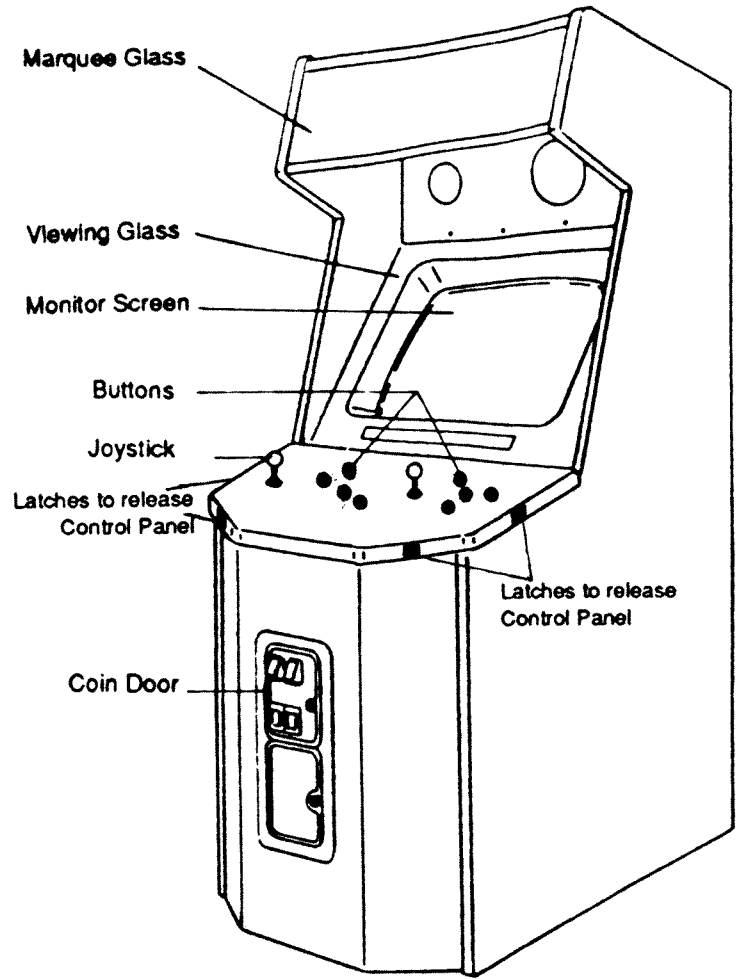
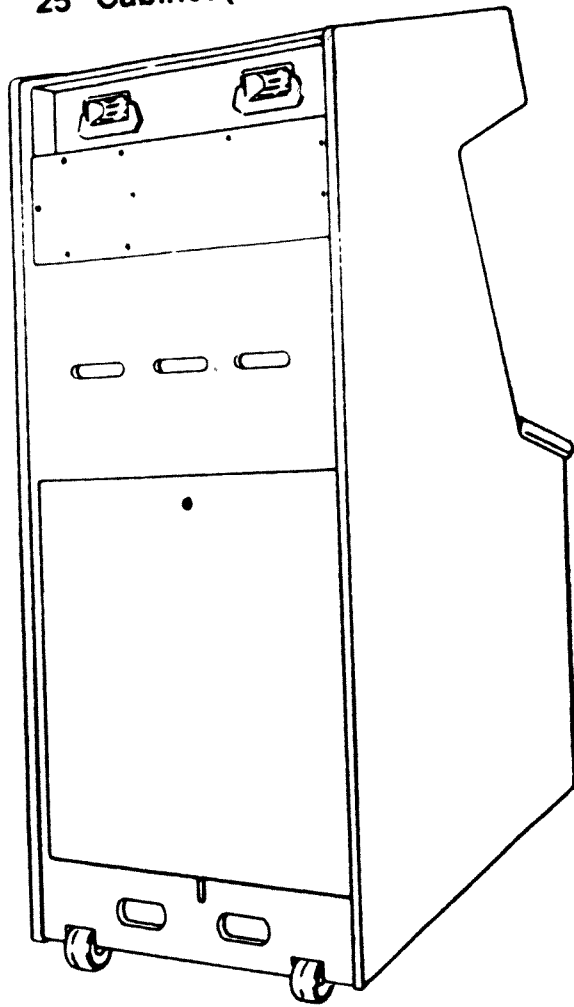
32° F to 100° F  
(0° C to 38° C)

### Humidity

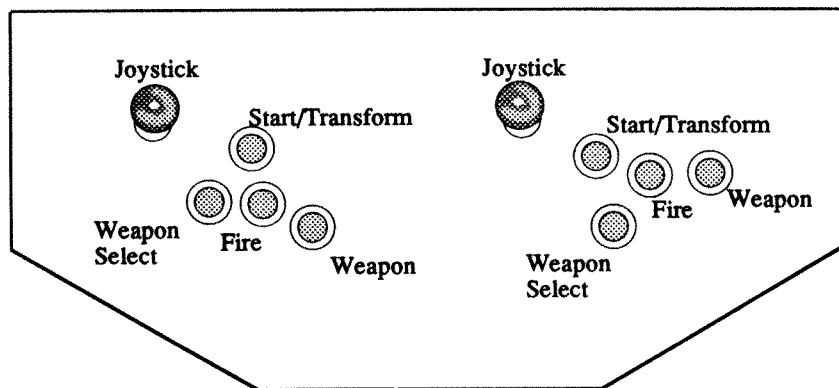
Not to exceed 95% relative.

25" Cabinet (Front View)

25" Cabinet (Rear View)



Cabinet Assembly



Control Panel Assembly



---

---

# Servicing

## ■ Servicing the Control Panel

Switch OFF power to the game. The control panel is held in place by latches (located on the left and right sides of the cabinet) which provide constant pressure on the strikes. The latches can be reached through the coin door opening. To release the latches, lift the latch handle and unhook the wire fasteners. Carefully use the joysticks to lift the control panel. Rest the panel on its support bracket, while working on it. To reinstall the control panel, check for proper cable connections, including the ground strap, and use the joysticks to lower it into position, avoiding pinched wires. Re-clamp the latches.

### **NOTE**

To remove the control panel for bench servicing, release the latches (located on the sides of the control panel) and lift the control panel, until it rests on its support bracket. Note, be careful not to reach directly through the control panel as you might damage the Monitor's remote controls board. Disconnect the cables and the ground strap. Lift the control panel out of the game cabinet.

## ■ Removal of Viewing Glass

Switch OFF power to the game, and open the control panel. Remove mountings at the bottom of the glass and remove the protective black plastic strip. Carefully lift the glass from its bottom groove and lift it clear of the cabinet.

## ■ Removal of Monitor Bezel

Switch OFF power to the game, and remove the viewing glass. Remove the bezel securing screws to free the monitor bezel.

## ■ Monitor Replacement

*Read the WARNINGS section thoroughly before beginning this procedure.*

Switch OFF power to the game. Open the upper rear door/panel. Remove the viewing glass and the monitor bezel. Completely disconnect the monitor from all of its cabling, including its chassis ground strap. Remove the four bolts securing the monitor's mounting flanges to its mounting panel. Pull the monitor carefully from the cabinet front.

### **CAUTION**

*The monitor DOES NOT contain an isolation transformer in its chassis (it is mounted instead in the Power Chassis Assembly located on the floor of the cabinet). When servicing the monitor on a test bench, YOU MUST ISOLATE THE MONITOR FROM THE LINE VOLTAGE WITH AN ISOLATION TRANSFORMER.*

### **CAUTION**

*While removing the four bolts, firmly support the monitor from the front of the CRT so that it will not slip.*

## WARNING

If you drop a fluorescent tube and it breaks, it will implode! Use care in handling.

### ■ Removal of the Marquee Glass

Switch OFF power to the game. Remove the screws in the black plastic strip on top of the cabinet. Remove the strip and carefully lift the glass. Store the glass carefully to prevent damage.

The fluorescent tube is now accessible for replacement. Remove plastic or cardboard lock, if necessary. Grasp the tube, give it a quarter turn, and remove it from its socket. Carefully place a new tube into the socket, and turn to reinstall.

### ■ Removal of the Fluorescent Light Assembly

Switch OFF power to the game. Remove the marquee glass. Disconnect the fluorescent light assembly from its power cable. Remove the screws fastening the assembly to the cabinet and lift out the assembly.

### ■ Removal of the Speakers

Switch OFF power to the game. Remove the upper rear cabinet door/panel, taking care to *not* damage the speaker enclosure seals. Disconnect the speakers from their cabling. Remove the nuts on the speaker mounting bolts. Remove the speakers. Because the speakers are mounted in an acoustical enclosure, carefully reinstall the seals upon completing any task in the speaker enclosure.

### ■ Volume Control, Test/Diagnostics Switch, and Service Credit Switch

Open the coin door to locate the game's volume control and Diagnostic switches on the small panel atop the cash box cover. The Volume Control is the white knob on left end of the panel. Turning the knob clockwise increases the sound level. The upper right switch on the bracket is the Test/Diagnostics Switch that enables activating the game's test mode. The lower right switch is the Service Credit Switch, which allows adding credits to a game for service testing without affecting the game's bookkeeping total.

---

---

# Game Features

## Start Up

Switch ON power to the game. A "rug" pattern appears on the CRT screen. When the "rug" pattern ends, the screen shows CHECKING SCRATCH RAMS, and then CHECKING ROMS. The next screen shows REVISION LEVEL, CMOS TEST OK and the COIN SETTING. The game then moves to the attract mode. After the proper coinage has been inserted, the game exits the attract mode and enters the play mode.

## Player Controls

Each player has an 8-way joystick and four buttons. The joystick controls the movement of the ship. The buttons are Start/Transform, Fire, Weapon and, Weapon Select.

- Each **START/TRANSFORM** button is used to start or continue a game. If a game is in progress, this button toggles the player between ship and turret modes. The ship is more mobile than the turret, but the turret has better firepower. During a 2-player game, if one player is the ship and the other player is the turret, the turret is docked onto the ship unless the player does a quick double-click on the START/TRANSFORM button when transforming.
- Each **FIRE** button is used to fire the player's standard weapon. When this button is held down, the weapon goes into rapid-fire mode. The Rapid Fire Counter is incremented by 100 each time a Rapid Fire Icon is picked up. The greater the Rapid Fire Counter value, the faster the weapon fires.
- Each **WEAPON** button is used to fire the special weapons in the player's arsenal. The player is awarded special weapons by starting or continuing a game, by finding them on the planet's surface or, by rescuing colonists. When two players are docked together, they are both awarded a picked up weapon. There are over twelve weapons to discover and master.
- Each **WEAPON SELECT** button is used to select weapons in the player's arsenal. Players accumulate weapons and use them as needed. The weapon currently being used is in a flashing box. Each time the WEAPON SELECT button is pressed, the current weapon moves to the end of the arsenal and the rest of the weapons are shifted one to the left. The game announces the name of the chosen weapon so the player knows what is selected without watching the arsenal. It's helpful to keep the sound level loud enough to hear the game's speech clearly.

**STRIKE FORCE is a one or two player game that allows two players to play simultaneously.**

### NOTE

When an error is detected during Start-up Tests, game start-up does not progress, and an error message appears on the screen.

---

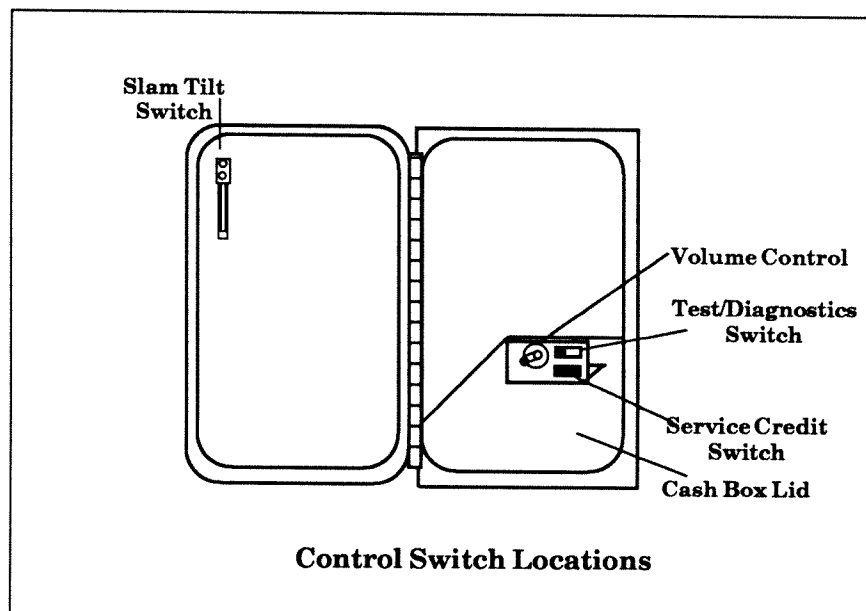
---

# Game Operation

**STRIKE FORCE** is a one- or two-player video game with a color monitor. From the player's perspective, the game has two modes of operation: Ready-to-Play and Play. For the owner/operator, the game has an additional mode of operation called Game Diagnostics and Adjustments.

## Control Switches

- The **SLAM TILT SWITCH** detects any forceful vibrations against the Coin Door. This eliminates pounding for free games.
- The **VOLUME CONTROL** allows increasing or decreasing the sound level of the game's music and speech. For greater earnings, set your game's sound level at its maximum.
- The **TEST/DIAGNOSTICS SWITCH** allows you to enter the Game's Diagnostics mode. Move the Test Switch left to enter the Game Diagnostics mode. To exit this mode, move the Test/Diagnostic Switch right.
- The **SERVICE CREDIT SWITCH** is a special-feature switch that provides credits during game testing without affecting the game's bookkeeping total.
- The **POWER INTERLOCK SWITCH** is a safety switch that ensures power to the game switches off during servicing. This switch is located inside the lower rear door/panel.



---

---

# Game Audits, Diagnostics & Adjustments

## Operation

All Game Audits and Diagnostics are accessible via the Test/Diagnostic Switch and the Service Credit Switch located inside the coin door. Game Adjustments are set or changed using the DIP switches located on the CPU Board.

## GAME AUDITS

To access the Audit Table, move the Test/Diagnostic switch (on the cashbox lid) to the left. To clear the Audits, move both joysticks toward the center of the Control Panel.

Note: Audits cannot be set; they can only be cleared.

To exit the Game Audit Table, move the Test/Diagnostic Switch to the right.

### AUDIT TABLE

Audit	Audit Value
Left Chute (# of Left Chute Coins)	0
Right Chute (# of Right Chute Coins)	0
Center Chute (# of Center Chute Coins)	0
Fourth Chute (# of Fourth Chute Coins)	0
Service Credits (# of Service Credit Coins)	0
Credits Played (# of Credits Played - sum of starts & continues)	0
Player 1 Starts (# of times Player1 started a Game)	0
Player 2 Starts (# of times Player 2 started a Game)	0
Player 1 Continues (# of times Player1 continued a Game)	0
Player 2 Continues (# of times Player 2 continued a Game)	0
One Player Seconds (# of seconds for one player game)	0
Two Player Seconds (# of seconds for two player game)	0
Plays to High Score Reset (# of plays without making H. S. until Reset)	0
Average Seconds per Credit (Average # of seconds played per Coin)	0
Burn-in Loops (# of Burn-in Loops completed)	0
Credits (# of unplayed Credits available)	0
Idle Minutes (# of Idle Minutes)	0
Wins (# of Games played to Completion; starbase destroyed)	0

## DIAGNOSTIC TESTS

To access the Tests/Diagnostic Mode, first move the Test/Diagnostic Switch to the left. The Audit Table is shown.

To exit the Test/Diagnostic Mode from any test, move the Test/Diagnostic Switch to the right.

### CPU Test

To enter the CPU Test from the Audit Table press the Player 2 Weapons Button.

The CPU Test allows the operator to check the game's memory RAM and program ROM chips. The screen shows the layout of the RAMs and ROMs on the CPU Board. A good chip turns green. A faulty chip turns red. If no error is found the test cycles back to the Audit Table.

### Burn-in Test

To access this test from the Audit Table, press the Player 1 Weapons Button.

The Burn-in Test repeats some of the Diagnostic Tests continually. When the Burn-In Test detects a error, the test stops. Use this test to detect intermittent problems that may not show up during the initial tests.

### NOTE

There are front-mounted monitor controls (beneath the monitor and within the Control Panel opening) for easier monitor adjustments.

Adjust the black level to just before the black portion turns gray. Adjust the contrast to just before the text starts to blur.

### Monitor Test

To access the Monitor Test from the Audit Table, press the Player 1 Start Button.

This test allows the operator to check the monitor operation. There are red, green, and blue screens provided for color adjustments, as well as a crosshatch pattern for alignment adjustments.

During the Monitor Test, the colors should appear sharp and clear. The crosshatch pattern fills the screen with a grid of lines and dots. The pattern should be clear, and the dots should be round.

### DIP Switch Test

To access the DIP Switch Test from the Monitor Test, press the Player 1 Start Button.

The DIP Switch Test allows the operator to check the CPU Board DIP Switch settings.

### Switch Test

To access the Switch Test from the DIP Switch Test, press the Player 1 Start Button.

The Switch Test allows the operator to check the switches. Pressing a switch causes the corresponding switch location on the screen to light. Release the switch, and the screen returns to normal.

## GAME ADJUSTMENTS

To change the Game Adjustments, use the DIP switches on the CPU.

The Adjustments allow the operator to change the game Pricing and Difficulty levels, among other game features. Use the following DIP Switch Tables to change the desired adjustment.

### DIP Switch 1

Difficulty	SW 1	SW 2	SW 3	SW 4	SW 5	SW 6	SW 7	SW 8
Level 1	Off	On	On					
Level 2	Off	Off	On					
Level 3	Off	On	Off					
Level 4*	Off	Off	Off					
Level 5	On	Off	Off					
Level 6	On	Off	On					
Level 7	On	On	Off					
Level 8	On	On	On					
<b>Ships per Credit</b>				Off				
3*				On				
4								
<b>Point per Extra Ship</b>					Off	On		
40,000					Off	Off		
50,000*					On	Off		
75,000					On	On		
100,000								
<b>Start/Continue</b>							Off	
1 credit start, 1 credit continue*							On	
2 credits start, 1 credit continue								
<b>Coin Meters</b>								Off
Meter 1 sums all switches								On
Meter 1=switch 1, (3); Meter 2=switch 2, (4)								
(UK Electronic Door-Meter 1 is #10 Pence units through all switches.)								

Note: \* denotes factory setting

## DIP Switch 2

	SW 1	SW 2	SW 3	SW 4	SW 5	SW 6	SW 7	SW 8
<b>Game Mode*</b>	Off							
<b>Test Mode</b>	On							
<b>Coin Modes for Chute 1</b>								
1 coin, 1 credit*		Off	Off	Off	Off			
1 coin, 2 credits		Off	Off	Off	On			
1 coin, 3 credits		Off	Off	On	Off			
1 coin, 4 credits		Off	Off	On	On			
1 coin, 5 credits		Off	On	Off	Off			
1 coin, 6 credits		Off	On	Off	On			
2 coins, 1 credit		Off	On	On	Off			
3 coins, 1 credit		Off	On	On	On			
4 coins, 1 credit		On	Off	Off	Off			
5 coins, 1 credit		On	Off	Off	On			
1 coin, 1 credit 2 coins, 3 credits		On	Off	On	Off			
1-2 coins, 1-2 credits 3 coins, 4 credits		On	Off	On	On			
1-3 coins, 1-3 credits 4 coins, 5 credits		On	On	Off	Off			
1-4 coins, 1-4 credits 5 coins, 6 credits		On	On	Off	On			
3 coins, 1 credit 5 coins, 2 credits		On	On	On	Off			
1 coin, 2 credits 2 coins, 5 credits		On	On	On	On			
<b>Coin Modes for Chute 2</b>								
1 coin, 1 credit*						Off	Off	Off
1 coin, 2 credits						Off	Off	On
1 coin, 3 credits						Off	On	Off
1 coin, 4 credits						Off	On	On
1 coin, 5 credits						On	Off	Off
1 coin, 6 credits						On	Off	On
UK Electronic Door chute 1 - 1 pound, 7 credits chute 2 - 50 pence, 3 credits chute 3 - 20 pence, 1 credit chute 4 - 10 pence, 1/2 credit						On	On	Off
Free Play						On	On	On

**Note: \* denotes factory setting**



---

---

# Troubleshooting

<b>Problem</b>	<b>Possible Solution</b>
NO PICTURE OR DISTORTED PICTURE.	Check for faulty CPU Board or monitor. Check for disconnected video signal cable.
TURN GAME ON & NOTHING HAPPENS	Check line fuse. Check for +5V DC at pins C, D, 3, and 4 of the JAMMA Connector.
NO SOUND	Check the speaker and speaker connection to pins L and 10 on JAMMA Connector. Check volume control setting. Check for +12V DC at pins F and 6 on the JAMMA Connector. Check interboard wiring from CPU Board to Sound Board.
MOVE JOYSTICK, AND OBJECTS DO NOT MOVE	Check for open wires between joystick and CPU Board. Check for contamination on joystick switch contacts and CPU Board pins. Check for proper ground.
PRESS CONTROL PANEL BUTTON AND NOTHING HAPPENS	Check for open wires between button and CPU Board. Check for contamination on CPU Board pins or button switch blade contacts. Check for proper ground.
NO CREDIT GIVEN WHEN COINS ARE INSERTED	Check DIP switch coin setting. Check for contamination on coin switch contacts. Check for an open wire between Coin Switch 1 and pin 16 on JAMMA Connector or Coin Switch 2 and pin T of JAMMA Connector.
TOO MANY CREDITS FOR NUMBER OF COINS INSERTED	Check Game Pricing setting. Check for a short between pins T & 16 on JAMMA Connector.
GAME STAYS IN THE TEST MODE.	Check that the Test Switch in the coin door is set to OFF.

# NOTES

**S E C T I O N**  
**two**

---

---

**Parts Information**

---

---

## Cabinet Hardware

Cabinet Assembly	A-14456-43313
Caster Wheel Assembly	B-13086
Leg Leveler Plate	01-9155
Leg Adjuster	08-7377
Back Door Assembly	B-13574
Lock Retainer	01-7264
Upper Door Lock Cam	01-8989
Rear Wood Door	11-934
Door Cam Lock	20-6542-TB
Line Voltage Cable Assembly	C-12773-4
Mtg Plt Toggle Assembly	A-9958
Interlock Spring Brkt Assy	B-12907
Line Voltage Cable	H-13555
Toggle Switch DPST	5640-10932-00
Interlock Cheat Switch	5643-09556-00
Coin Door	D-13250
Test Switch	A-13115
Coin Door Cable	H-13215
Coin Door USA	09-20000-V-1
12 pin "Z" Header	5791-12235-12
Glass Retainer Bracket	01-9607
Speaker Grille	01-9634
20" Vent Hole Cover	03-7602
Vent Hole Cover	03-7839
Marquee Retainer	03-8252-2
Lock Lamp	03-8327
Glass Edge Channel	03-8358
25" CRT Bezel	03-8387
Vent Hole Cover	03-8413
Speaker Wood Door	11-935
Toggle Latch	20-9347
Marquee	31-1613-42413
Glass CRT Cover	31-1552-43313
Screened Overlay	31-1627-43313

---

---

## Speakers

Piezo Speaker Assembly	B-13587
Piezo Speaker, 4", 50W	5555-12068-00
Piezo Speaker Cable	H-13557
Round Speaker, 8 ohm, 20W	5555-12015-00

---

---

## Fluorescent Lamp

Fluorescent Housing & Bracket	C-12679
Housing Mounting Brkt	01-9146
Light Fixture	20-9590
18" Fluorescent Bulb, 15 W	24-8809

---

---

## PC Boards

Y-Unit CPU Assembly	A-13234-43313
Power Supply Assembly	C-13253-1
Audio Sound Board Assembly	A-13971-43313

---

---

## Transformer Assembly

Power Pack Assembly	D-13252
Line Cord Assembly	A-13340
Power Transformer	A-13771
Power Pack Chassi Assy	C-13251
Power Pack Jumper Cable	H-13265
Line Filter Jumper Cable	H-13344
Transformer Jumper Cable	H-13378
Varistor, 130V, 10J	5017-09044-00
Line Filter, 5Amp	5102-08895-00

---

---

## Control Panel

Control Panel Assembly	A-14557
Button, Red	C-9214-4
Button, Purple	C-9214-22
Button, Yellow	C-9214-23
Joystick, Purple	20-9319-6
Joystick, Yellow	20-9319-4
Control Panel Bracket	01-9651
Latch Bracket	01-6994
Latch Bracket	01-9605
Switches	03-7614
Wood Control Panel	11-968
5/8 Palnut	20-9222
Screened Overlay	31-1627-43313

---

---

## Monitor

Monitor	5675-12787-00
---------	---------------

---

---

## Cables

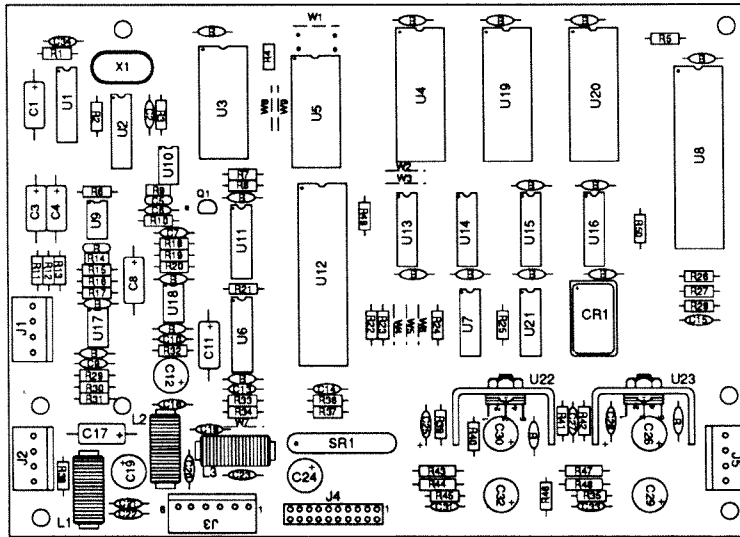
Switch/Power Cable	H-10217-4
Sound Board Jumper Cable	H-12758
Speaker Cable	H-13213
Coin Door Cable	H-13215
Sound/Power Speaker Cable	H-13257
Volumn Control Cable	H-13258-2
Power Pack Jumper Cable	H-13265
Line Filter Jumper Cable	H-13344
Transformer Jumper Cable	H-13378
Line Voltage Cable	H-13555
Piezo Speaker Cable	H-13557
Main Harness Cable	H-13583
Control Panel Cable	H-13945
Ground Jumper Cable	H-13953
20 pin Ribbon Cable	5795-10937-18

---

---

## Manuals

Monitor Manual	16-3000-103
Instruction Manual	16-42413-101



## A-13971-43313 Audio Board Assembly

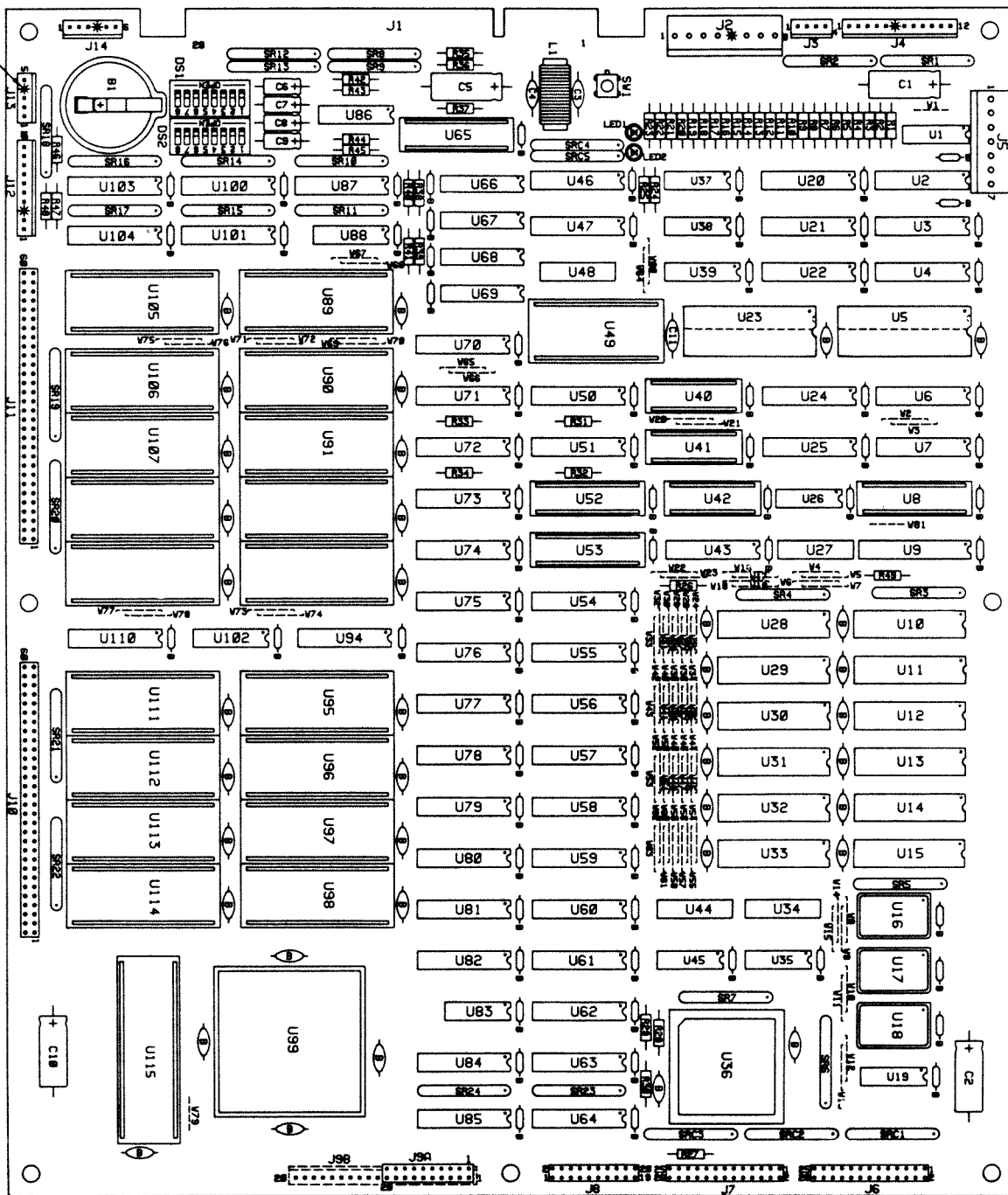
Part No.	Ckt Designator	Description	Part No.	Ckt Designator	Description
5766-12130-00		Bare P. C. Board	5010-10985-00	R14, R15	Resistor, 20K, 1/4w, 5%
5371-11087-00	U1	IC, D/A Conv, YM3012	5010-09034-00	R22-R24, R17, R34	Resistor, 10K, 1/4w, 5%
a) 5700-09006-00		Socket, IC, 16-pin (U1)	5010-09324-00	R6, R19, R20, R21	Resistor, 27K, 1/4w, 5%
5370-11086-00	U3	IC, Sound Processor, YM2151	5010-09162-00	R39	Resistor, 100K, 1/4w, 5%
a) 5700-09004-00		Socket, IC, 24-pin (U3)	5010-09331-00	R16	Resistor, 13K, 1/4W, 5%
5400-10320-00	U8	IC, $\mu$ Processor, MC68B09E	5013-09427-00	R13	Resistor, 4.99K $\Omega$ , 1/4W, 1%
a) 5700-08985-00		Socket, IC, 40-pin (U8)	5010-08772-00	R18	Resistor, 15K $\Omega$ , 1/4W, 5%
A-5343-43313-19	U4	IC, Audio ROM 1	5010-08824-00	R32	Resistor, 43K $\Omega$ , 1/4W, 5%
A-5343-43313-20	U19	IC, Audio ROM 2	5010-08846-00	R31	Resistor, 220K $\Omega$ , 1/4W, 5%
A-5343-43313-21	U20	IC, Audio ROM 3	5010-09219-00	R38	Resistor, 8.2K, 1/4W, 5%
a) 5700-10176-00		Socket, IC, 28-pin (U4, U19)	5010-10258-00	R40	Resistor, 1M, 1/4w, 5%
A-13970-1		Sub-assembly PCB	5010-09179-00	R10	Resistor, 3.3M, 1/4w, 5%
5370-09691-00	U6	IC, 55536, CVSD	5010-09333-00	R29	Resistor, 180K $\Omega$ , 1/4W, 5%
5371-09152-00	U11	IC, D/A Convtr, MC1408	5010-09342-00	R30	Resistor, 36K $\Omega$ , 1/4W, 5%
5430-10322-00	U12	IC, PIA, MC68B21	5010-09534-00	W2, W9, W11	Resistor, 0 $\Omega$ , 1/4w, 5%
5340-10139-00	U5	IC, RAM/S 5516-2 2Kx8	5046-09350-00	C9	Capacitor, 180pfd, 100V, $\pm$ 5%
5281-09487-00	U16, U7	IC, Dual D Flipflop, 74LS74	5048-10992-00	C10	Capacitor, 4700pfd, 50V, $\pm$ 10%
5281-10043-00	U13	IC, 74LS175	5046-09346-00	C7	Capacitor, 1200pfd, 50V, $\pm$ 5%
5281-09235-00	U21	IC, Triple NAND, 74LS10	5040-09365-00	C11	Capacitor, 1 $\mu$ fd, 63V, $\pm$ 10%
5370-09321-00	U9, U10, U17, U18	IC, Op Amp, MC1458	5040-09343-00	C1, C3, C4, C8, C17	Capacitor, 10 $\mu$ fd, 20v, $\pm$ 20%
5281-09215-00	U2	IC, Hex Inv, 74LS04	5040-10974-00	C12, C19, C24	Capacitor, 100 $\mu$ fd, 35v
5281-09246-00	U14	IC, 2-4 Dec, 74LS139	5040-09776-00	C26, C30	Capacitor, 470 $\mu$ fd, 16v; +50, -10%
5281-09745-00	U15	IC, Dual Mux, 74LS138	5040-12006-00	C29, C32	Capacitor, 1000 $\mu$ fd, 16v, 20%
5370-09156-00	U22, U23	IC, Audio Amp, TDA2002	5041-09243-00	C25, C28	Capacitor, 10 $\mu$ fd, 10v, $\pm$ 10%
a) 5705-09199-00		Heatsink, #6030B	5043-08980-00	C5, B (21)*	Capacitor, 0.01 $\mu$ fd, 50v, +80, -20%
b) 4006-01003-06		Mach. Screw, 6-32 x 3/8	5043-08996-00	C31, C33	Capacitor, 0.1 $\mu$ fd, 50v, $\pm$ 20%
c) 4406-01117-00		Nut, 6-32 Hex.	5043-09065-00	C13 - C15	Capacitor, 470 pfd, 50v, $\pm$ 20%
d) 4703-00007-00		Lockwasher, #6 Ext.	5043-09492-00	C2, C34	Capacitor, 100 pfd, 50v, $\pm$ 20%
5160-10269-00	Q1	Transistor, 2N3904, NPN	5043-09844-00	C6	Capacitor, 47 pfd, 50v, $\pm$ 20%
5060-10396-00	SP1	SIP 4.7K & 47Opfd, 8R8C	5043-09845-00	C16, C18, C20 - C23, C27	Capacitor, 1000 pfd, 50v, $\pm$ 20%
5010-09181-00	R44, R48	Resistor, 1.0 $\Omega$ , 1/2w, 5%	5520-09020-00	X1	Crystal, 3.58 MHz
5010-09161-00	R35, R45	Resistor, 2.2 $\Omega$ , 1/4w, 5%	5521-10931-00	CR1	Oscillator, 8 MHz
5010-09361-00	R43, R46, R47	Resistor, 220 $\Omega$ , 1/2w, 5%	5551-09822-00	L1 - L3	Inductor, 4.7 $\mu$ H, 3A
5010-09358-00	R41, R42	Resistor, 1K, 1/4w, 5%	5791-09437-00	J4	Connector, 20 pin, (Hdr), Rib. Cbl
5010-08998-00	R2, R3,	Resistor, 2.2K, 1/4w, 5%	5791-10862-04	J1, J2, J5	Connector, 4 pin (Hdr)
5010-08983-00	R7-R9	Resistor, 3.3K, 1/4w, 5%	5791-10862-06	J3	Connector, 6 pin (Hdr)
5010-08991-00	R1, R4, R5, R11, R12, R25 - R28, R33, R36, R37, R49, R50	Resistor, 4.7K, 1/4w, 5%	16-8850-310		P.C.B. I.D. Label
			20-9229		Thermal Compound
			5010-09086-00	R	Resistor, 6.8K, 1/4W, 5%

### NOTES:

- \* 21 capacitors (shown on diagram with "B" symbol) provide +5VDC filtering for ICs.
- All capacitors are ceramic, 50v, axial, unless otherwise noted.
- All resistors are 5%, 1/4w, Carbon Film, unless otherwise noted.

# Y-UNIT CPU

INDICATES  
LETTER PIN



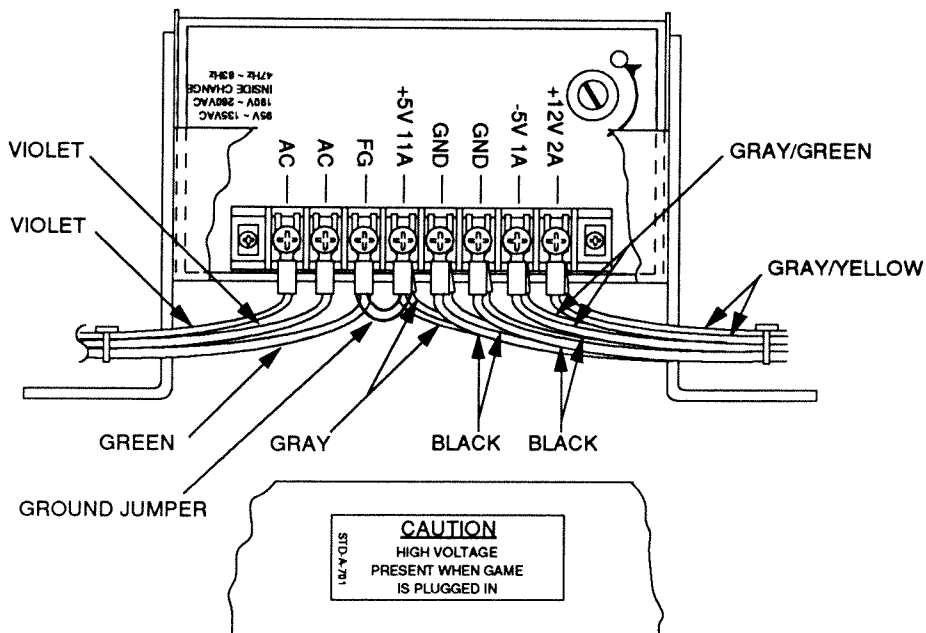
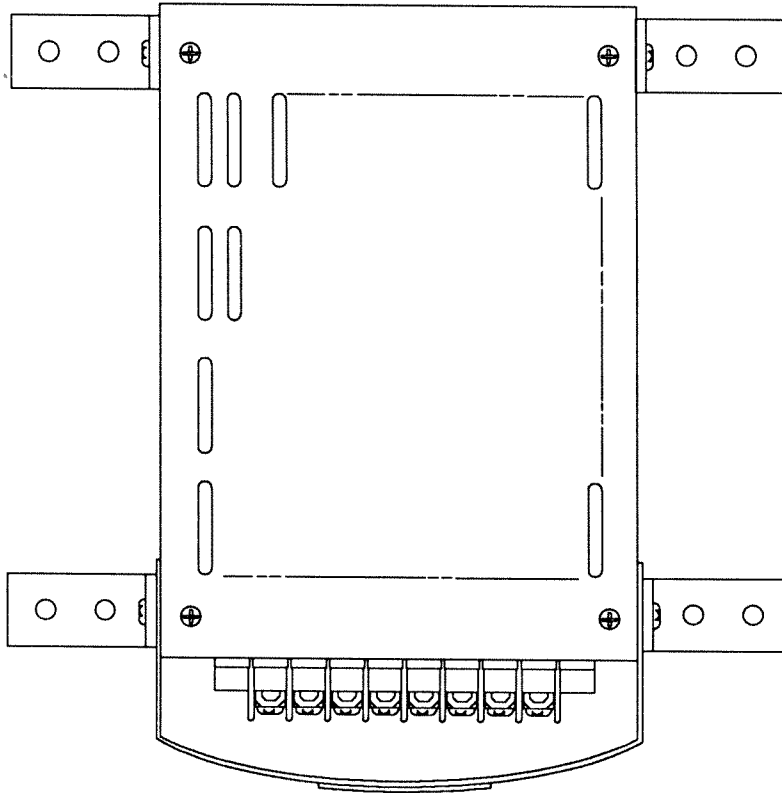


## A-13234-43313 Y-UNIT CPU BOARD ASSEMBLY

Part No.	Ckt.Designator	Description	Part No.	Ckt.Designator	Description
5770-12555-00		Bare PC Brd.	5043-08980-00	B	Cap. .01 $\mu$ fd 10V
5281-09737-00	U1	IC, 74LS 86	5040-08986-00	C1, C2, C5, C10	Cap. 100 $\mu$ fd 10V
5317-12211-00	U2, U20, U24, U43		5043-09845-00	C3, C4	Cap. .001 $\mu$ fd 10V
	U61, U62, U70	IC, 74ALS541	5041-09243-00	C6-C9	Cap. 10 $\mu$ fd 10V
5317-12212-00	U3, U6, U7, U21, U25	74ALS574	5043-8996-00	C11	Cap. .1 $\mu$ fd
	U50, U58, U63, U64		5019-12611-00	SR1, SR2, SR8	SIP, 470 $\Omega$ 5 Res.
	U71, U72, U74, U79, U84, U85			SR9, SR12, SR13	
5317-12208-00	U4, U22, U54-U57	74ALS245		SR18	
	U59, U60, U75-U78		5019-09362-00	SR3, SR4, SR6	SIP, 4.7K $\Omega$
	U80, U81, U94, U110			SR7, SR11, SR15	
5340-12242-00	U5, U23	IC, 8K x 8 S RAM		SR17, SR19-SR24	
5700-12047-00	U8, U52, U53, U65	24 pin Socket		SRC1-SRC3	
5340-12213-00	U10, U11, U28-U33	IC, 4461 VRAM	5019-10143-00	SR5	SIP, 470 $\Omega$ 9 Res.
5521-10421-00	U16	48 MHZ Xtal	5060-10396-00	SRC4, SRC5	SIP. 4.7K $\Omega$ 470pf
5521-10318-00	U17	24 MHZ Xtal		SRC10, SRC14	
5283-10468-00	U19, U45	IC, 74F74		SRC16	
5019-10849-00	U27, U34, U44, U48	100 $\Omega$ DIP Res.	5671-09019-00	LED1, LED 2	LED, Red
5317-12305-00	U35	IC, 74ALS00	5551-09822-00	L1	Inductor, 4.7UH
5700-12253-00	U36	68 pin Socket	5645-09025-00	DS1, DS2	DIP. Sw. 16 pin
5280-09309-00	U37	IC, 7407	5641-12551-00	SW1	Pushbutton Sw.
5281-09487-00	U38	IC, 74LS74	5881-12315-00	B1	Battery Holder
5434-12255-00	U39	IC, MAX691	5791-10862-08	J2	8 pin Connector
5700-09915-00	U40-U42	20 pin Socket	5791-12461-12	J4	12 pin Connector
5311-12287-00	U47, U46, U87, U100	IC, 74HC541	5791-10850-00	J6, J7	26 pin Ribbon Connector
	U101, U103, U104			J8	20 pin Ribbon Connector
5700-10176-00	U49	28 pin Socket	5791-09437-00	J8	20 pin Ribbon Connector
5311-12285-00	U51, U73, U82	IC, 74HC573		J12	10 pin Connector
5340-12014-00	U66-U69	IC, 4464 DRAM	5791-12461-10	U12-U15	24 pin Socket
5283-10552-00	U83	IC, 74F04	5700-12252-00		50 pin Connector
5370-12602-00	U86	IC, ULN2064B	5719-12461-05	J13	CPU Sub-assembly
5317-12023-00	U88	IC, 74ALS138	C-13235-2		IC, PLD Color RAM
5700-12088-00	U89-U93, U95-U98	32 pin Socket	A-5346-43313-1	U8	IC, TMS34010-50
	U105-U109, U111-U114		5400-12220-00	U36	IC, PLD Address Decoder
5700-12254-00	U99	144 pin Socket	A-5346-43313-2	U40	IC, PLD Video RAM
5317-12024-00	U102	IC, 74ALS139	A-5346-43313-3	U41	IC, PLD Local Control
5700-08985-00	U115	40 pin Socket	A-5346-43313-4	U42	IC 8Kx8 Static RAM 100ns
5010--08991-00	R1, R24, R27	Res. 4.7K $\Omega$ 5% 1/4W	5340-12558-00	U49	IC, PLD Video RAM Sequ.
5010-10204-00	R2, R7, R12	Res. 1K $\Omega$ 2% 1/4W	A-5346-43313-5	U52	IC, PLD Image ROM
5010-10205-00	R3, R8, R13	Res. 2K $\Omega$ 2% 1/4W	A-5346-43313-6	U53	IC, PLD Miscellaneous
5010-10000-00	R4, R9, R14	Res. 3.9K $\Omega$ 5% 1/4W	A-5346-43313-7	U65	IC, PLD, Autoerase
5010-09219-00	R5, R10, R15	Res. 8.2K $\Omega$ 5% 1/4W	A-5346-43313-8		IC, PLD, Local Controller
5010-08772-00	R6, R11, R16	Res. 15K $\Omega$ 5% 1/4W	A-5346-43313-10		IC, PLD, RAM Seq.
5010-09001-00	R23, R25	Res. 330 $\Omega$ 5% 1/4W	A-5346-43313-11		
5010-09036-00	R26, R29-R34	Res. 100 $\Omega$ 5% 1/4W			
5010-09416-00	R35-R37, R46-R48	Res. 470 $\Omega$ 5% 1/4W	A-5343-43313-1	U89	IC, Game EPROM
5010-08997-00	R38-R45	Res. 2.7 $\Omega$ 5% 1/4W	A-5343-43313-2	U90	IC, Game EPROM
5010-09534-00	W2, W8, W11, W12, W14, W21, W22, W24, W27, W28, W31, W32, W35, W37, W39, W41, W43, W44, W46, W48, W50, W52, W54, W56, W58, W60, W62, W66, W68, W69, W72, W74, W76, W78, W80	Res. 0 $\Omega$	A-5343-43313-3	U91	IC, Game EPROM
			A-5343-43313-6	U95	IC, Game EPROM
			A-5343-43313-7	U96	IC, Game EPROM
			A-5343-43313-8	U97	IC, Game EPROM
			A-5343-43313-9	U98	IC, Game EPROM
			5410-12239-00	U99	IC, Custom ASIC
			A-5343-43313-10	U105	IC, Game EPROM
			A-5343-43313-11	U106	IC, Game EPROM
			A-5343-43313-12	U107	IC, Game EPROM
			A-5343-43313-15	U111	IC, Game EPROM
			A-5343-43313-16	U112	IC, Game EPROM
			A-5343-43313-17	U113	IC, Game EPROM
			A-5343-43313-18	U114	IC, Game EPROM
			A-5343-43313-0	U115	IC, Game EPROM
			5880-11056-00	B1	Battery, Lithium 3V

# C-13253-1 POWER SUPPLY SWITCHER ASSEMBLY

Part Number	Description
20-9633	Power Supply, 85W
01-9254	Shield
16-8587-701	High Voltage Label

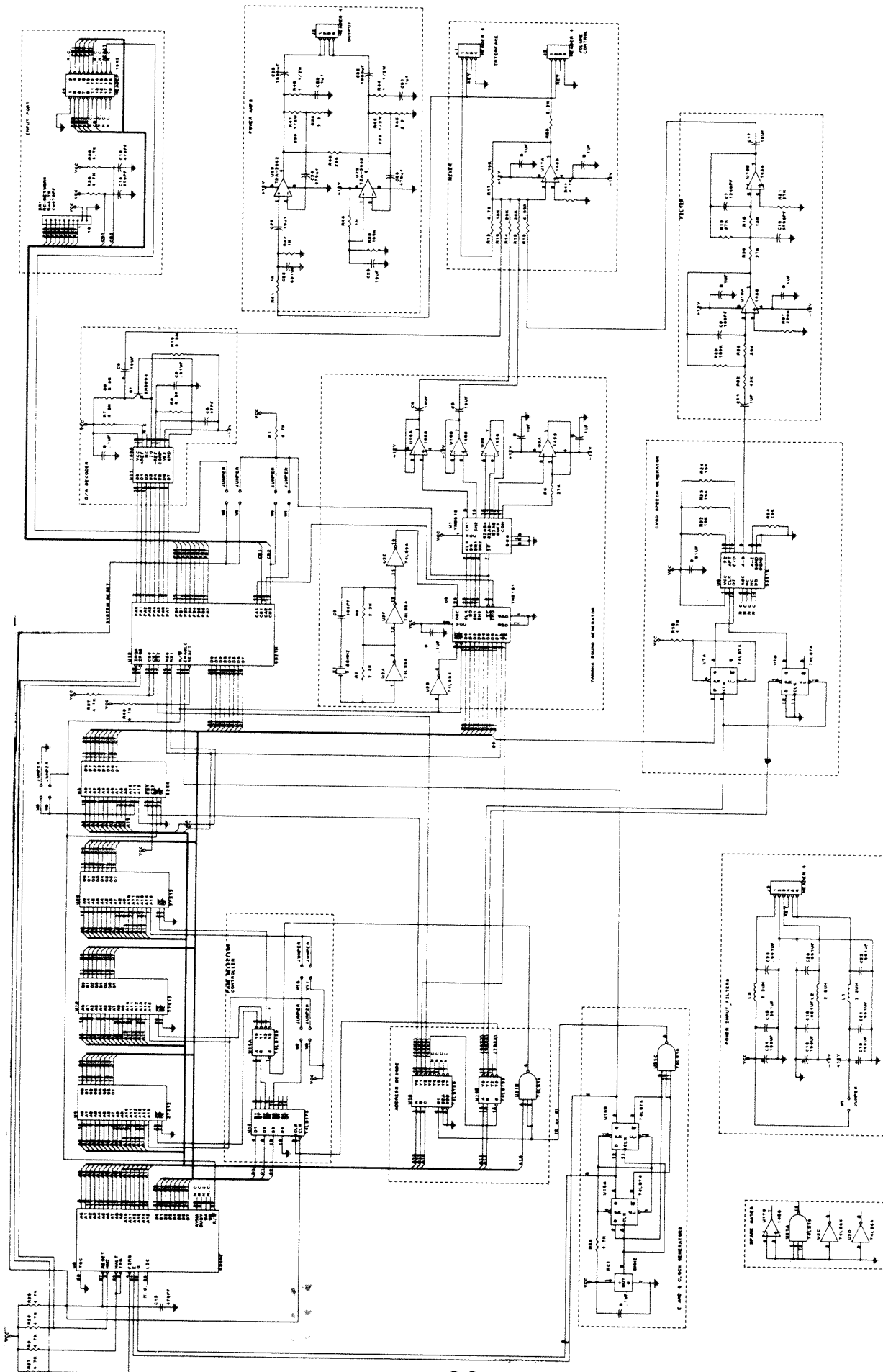


**S E C T I O N**  
**three**

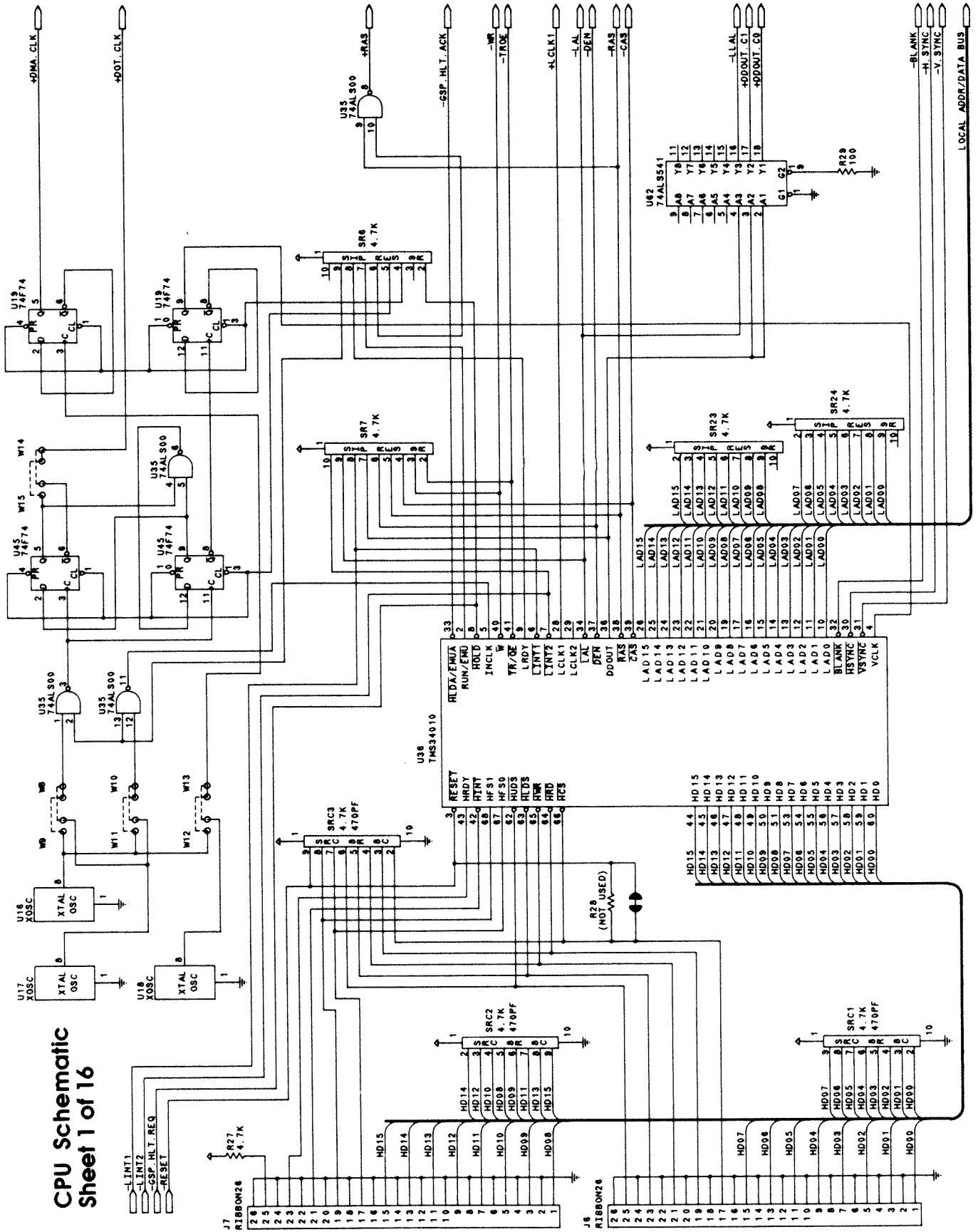
---

**Diagrams & Schematics**

# AUDIO SCHEMATIC

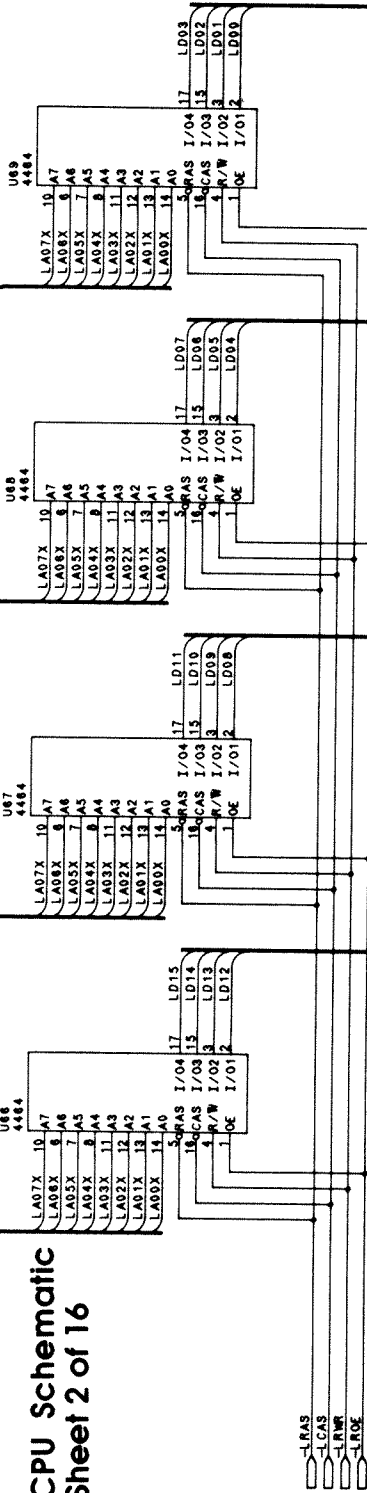


# CPU Schematic Sheet 1 of 16



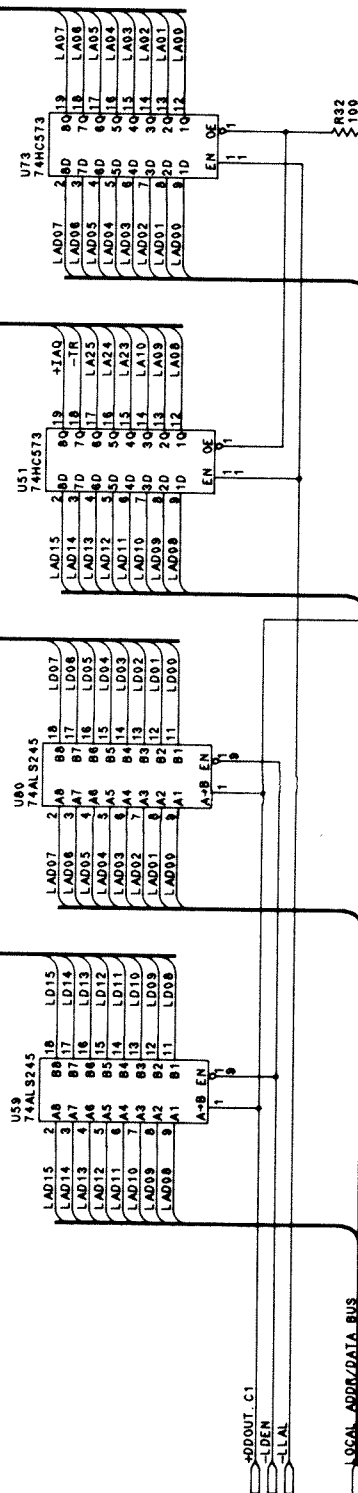
LOCAL\_ADDR\_BUS "X"

# CPU Schematic Sheet 2 of 16



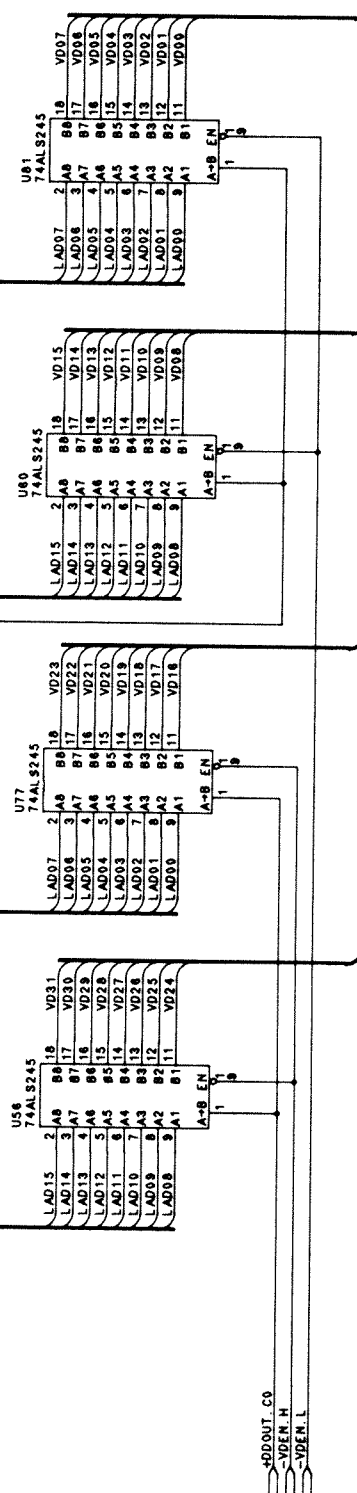
LOCAL\_ADDR\_BUS

LOCAL\_ADDR\_BUS



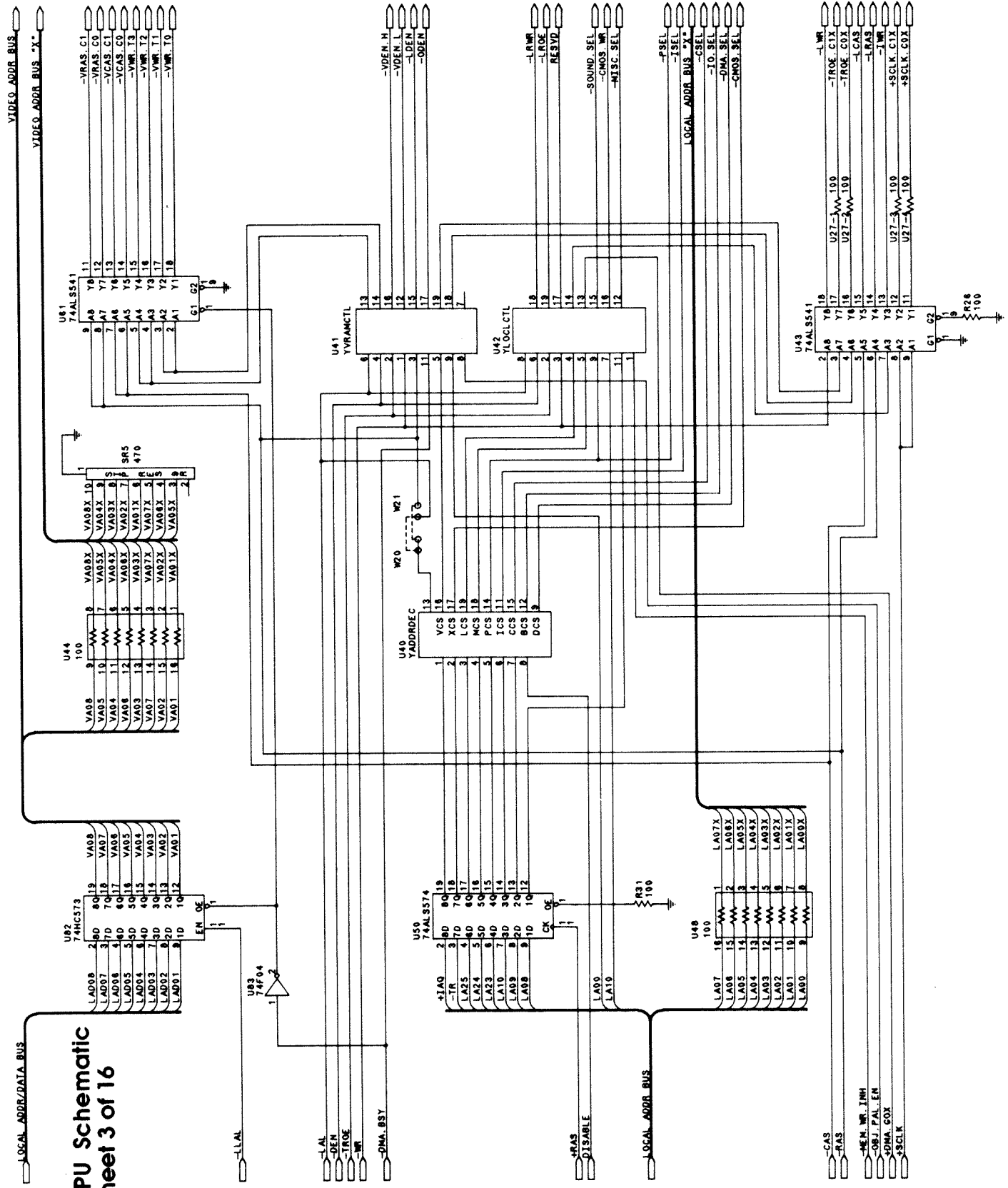
ADDOUT.C1  
LDEN  
LLAL

LOCAL\_ADDR/DATA\_BUS

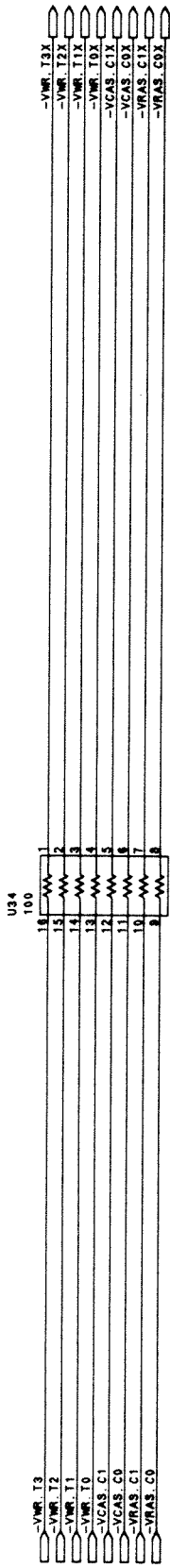


ADDOUT.C0  
VDEN.H  
VDEN.L

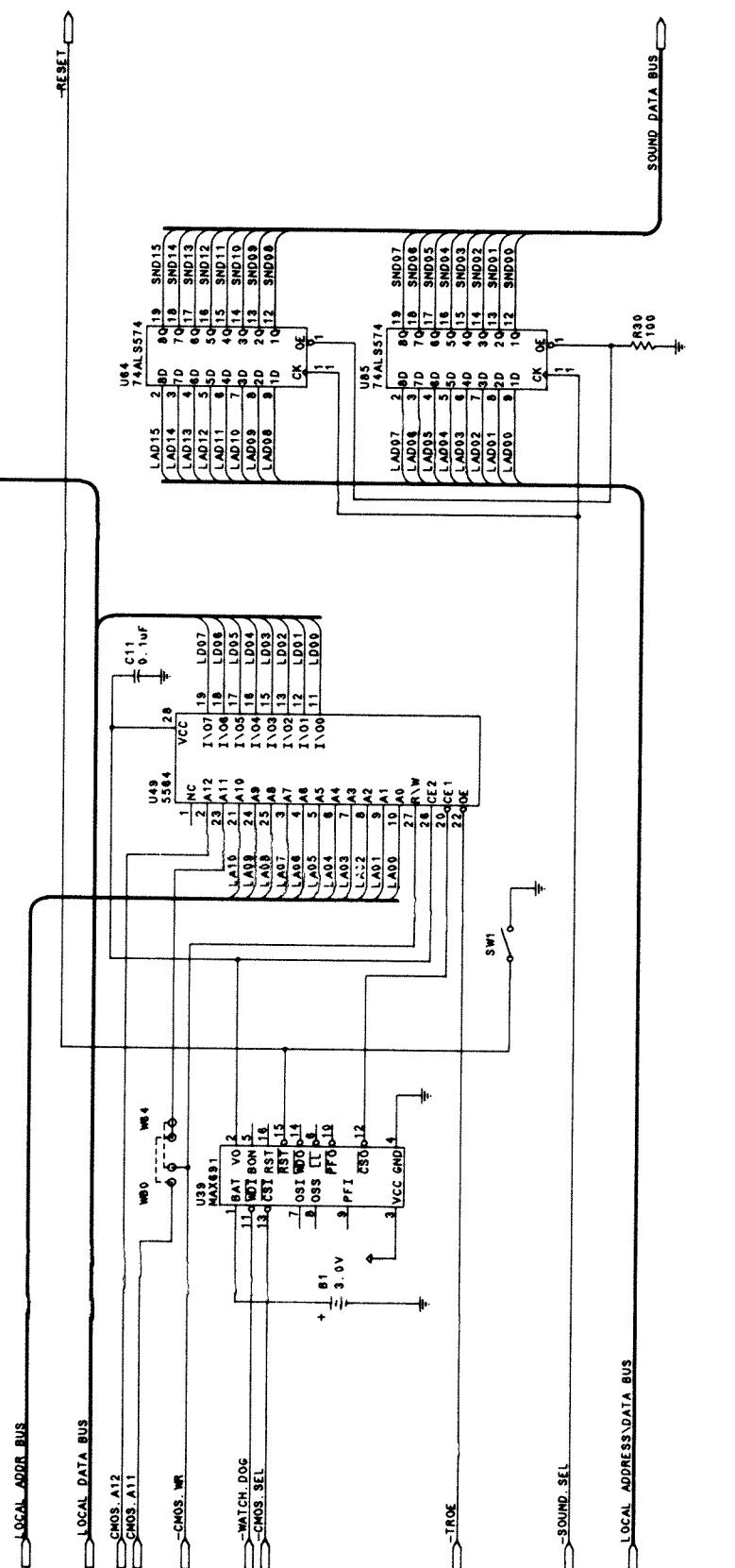
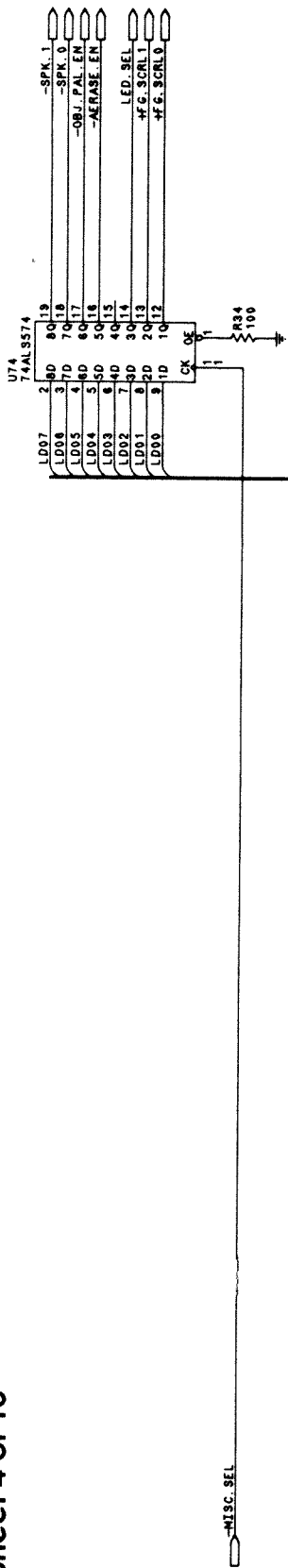
VIDEO\_DATA\_BUS



**CPU Schematic  
Sheet 3 of 16**



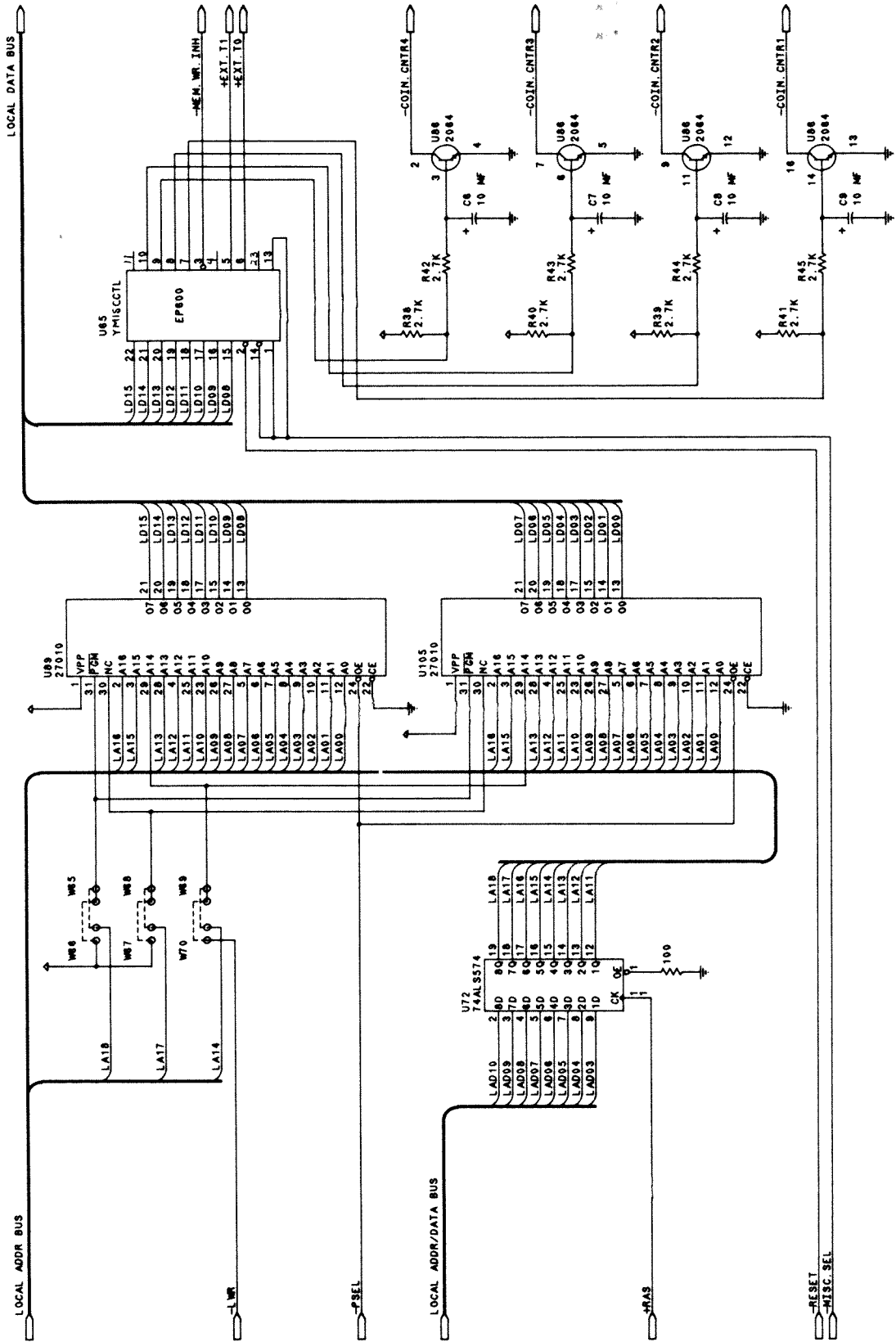
### CPU Schematic Sheet 4 of 16





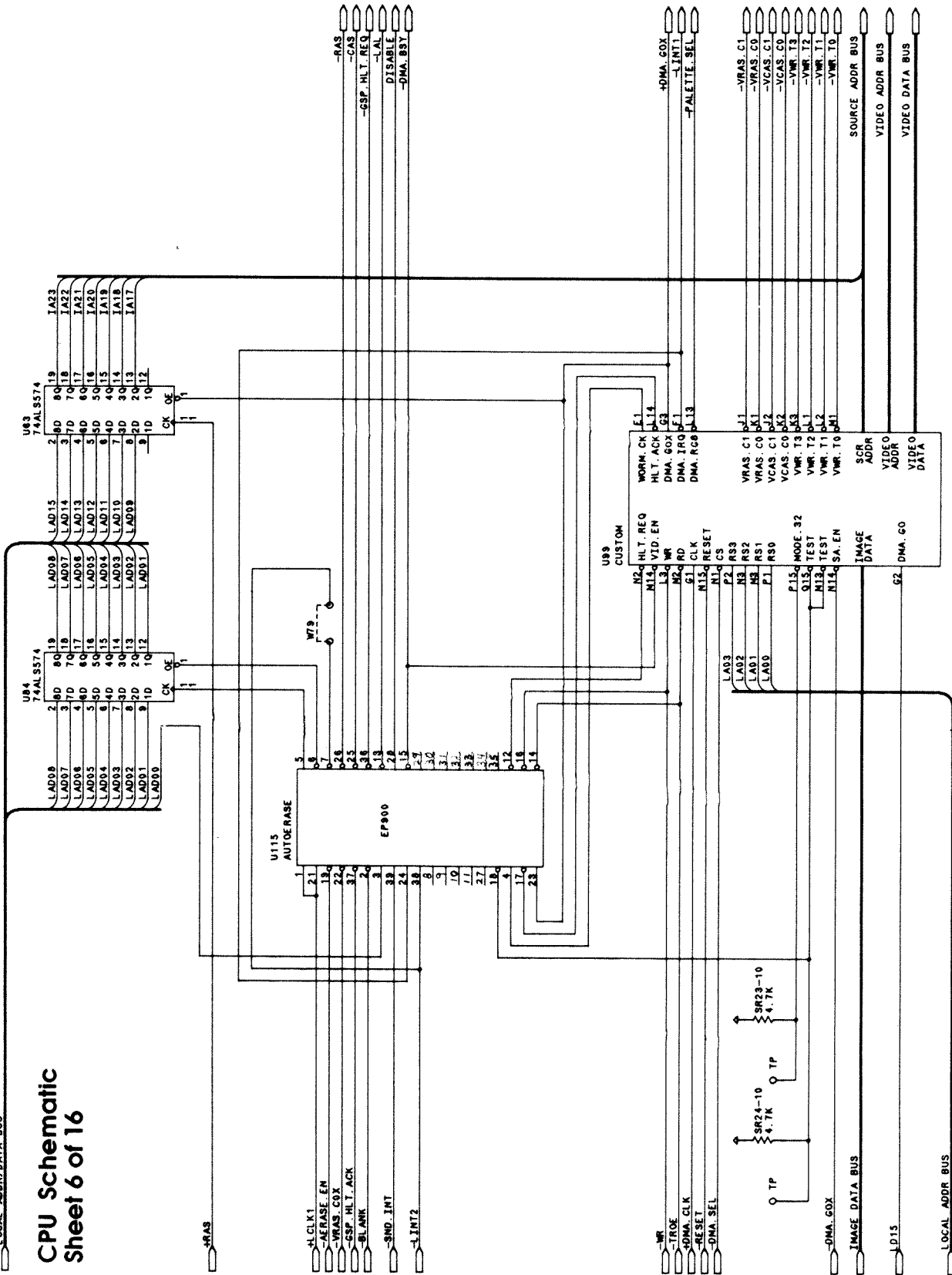
# CPU Schematic Sheet 5 of 16

PROGRAM MEMORY



LOCAL ADDR/DATA BUS

# CPU Schematic Sheet 6 of 16



LOCAL DATA BUS

# CPU Schematic Sheet 7 of 16

-DDOUT.CO

LOCAL ADDR BUS

IMAGE ADDR BUS

-IRAS

-DMA.COX

-I.WR

-DEN

-ISEL

-DMA.SEL

IMAGE DATA BUS

IMAGE ADDR BUS

-DMA.COX

-IROE.T3H

-IROE.T2H

-IROE.T1H

-IROE.T0H

-IROE.T3L

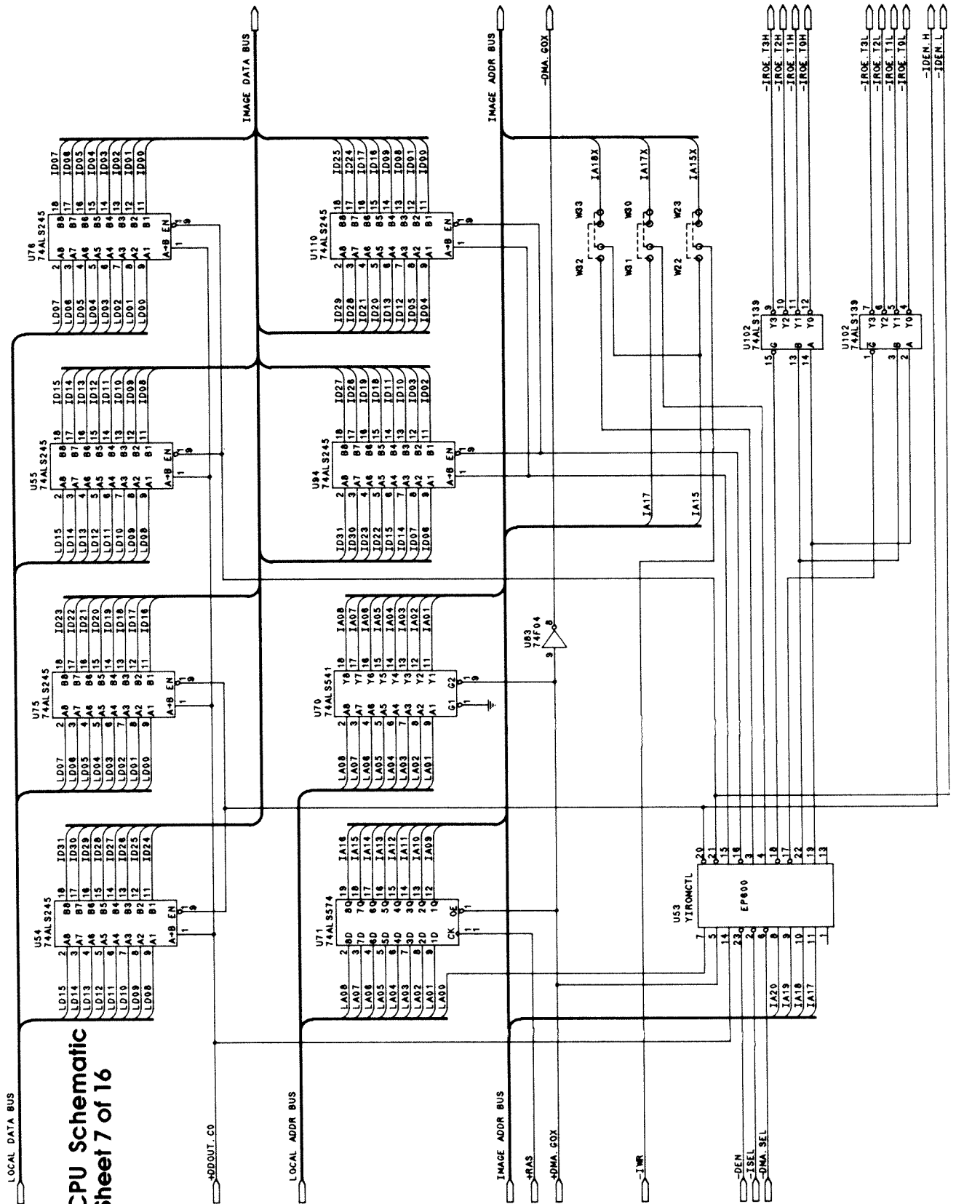
-IROE.T2L

-IROE.T1L

-IROE.T0L

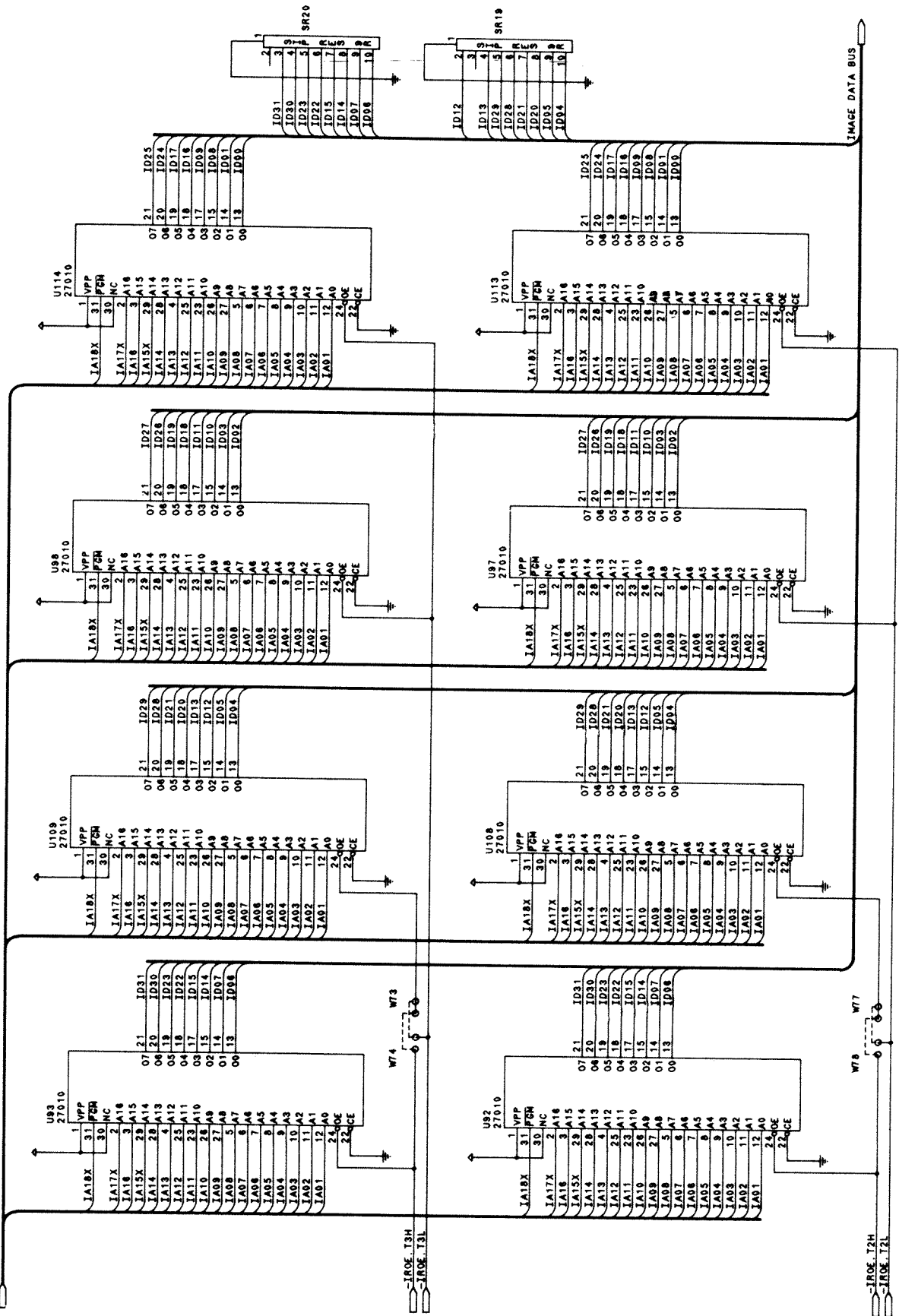
-IDEN.H

-IDEN.L



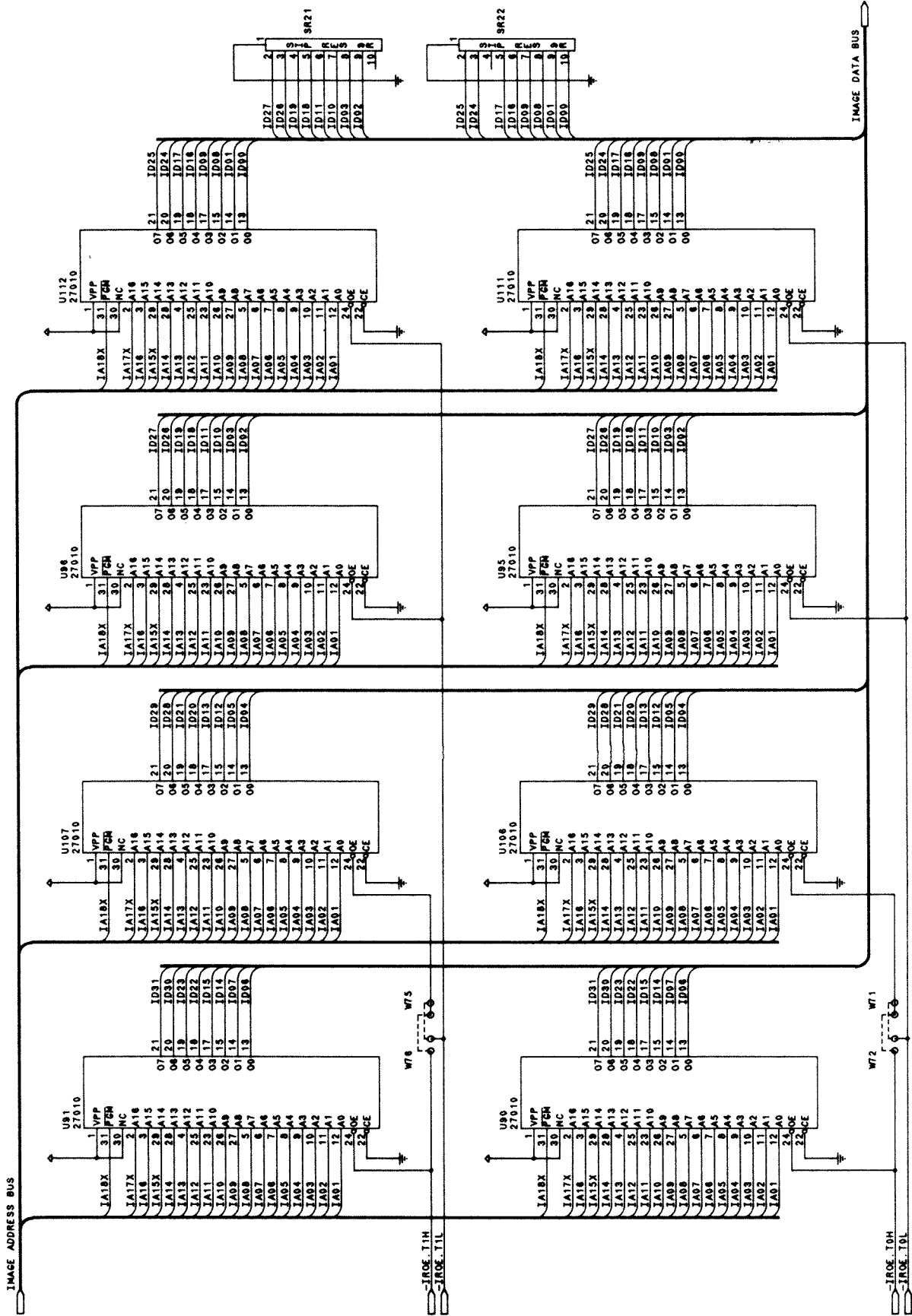
# CPU Schematic Sheet 8 of 16

IMAGE ADDRESS BUS

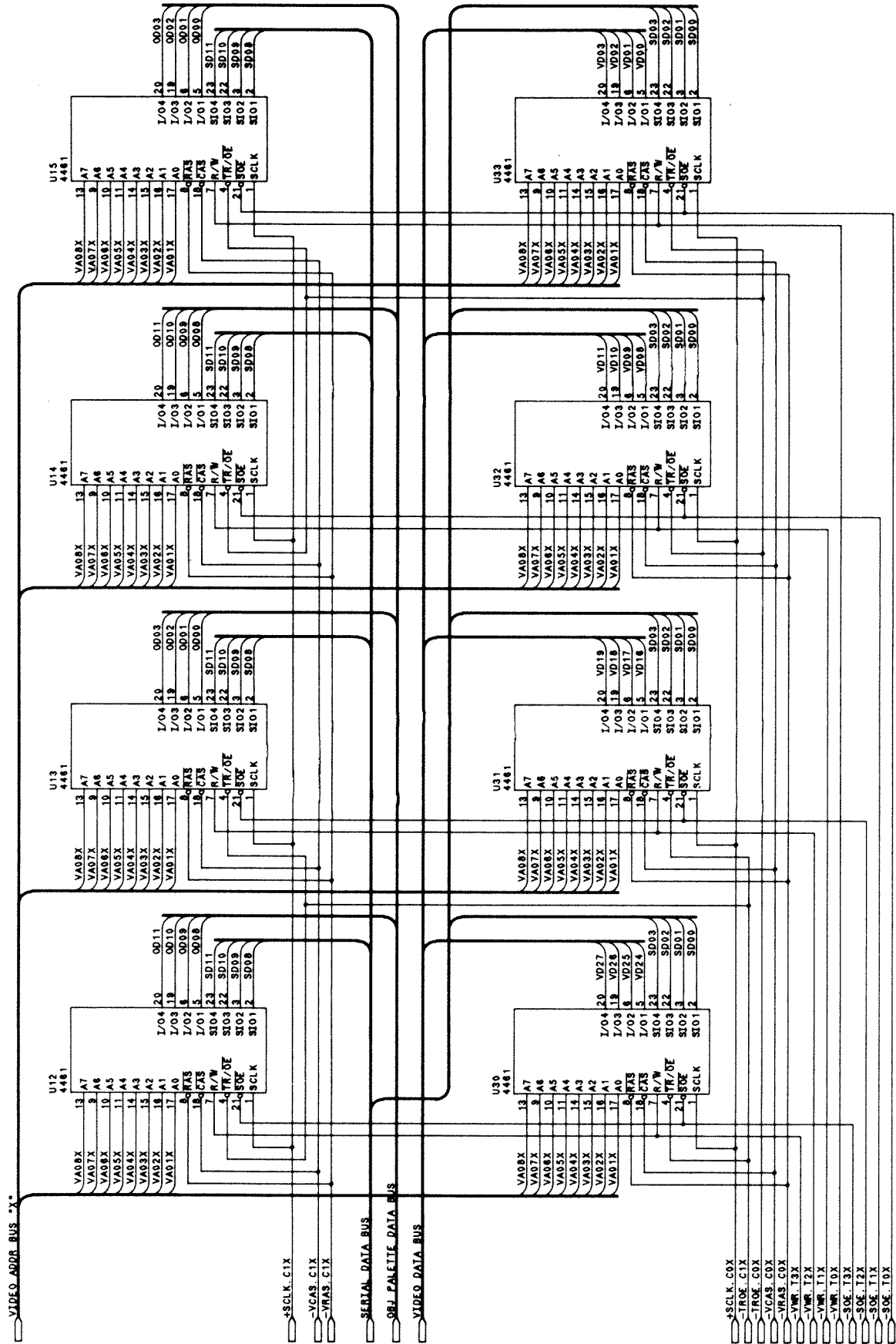


CPU Schematic  
Sheet 9 of 16

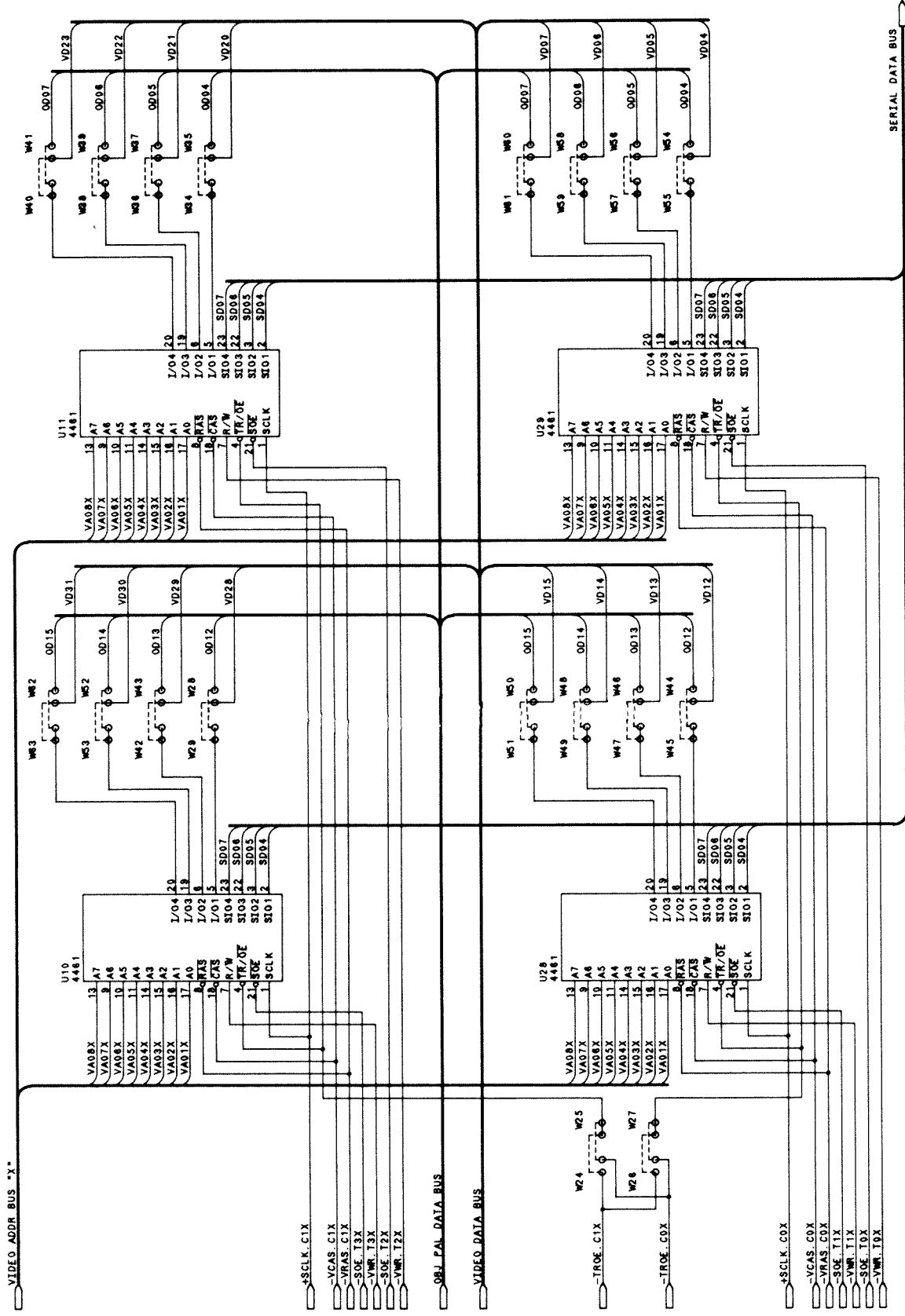
IMAGE MEMORY



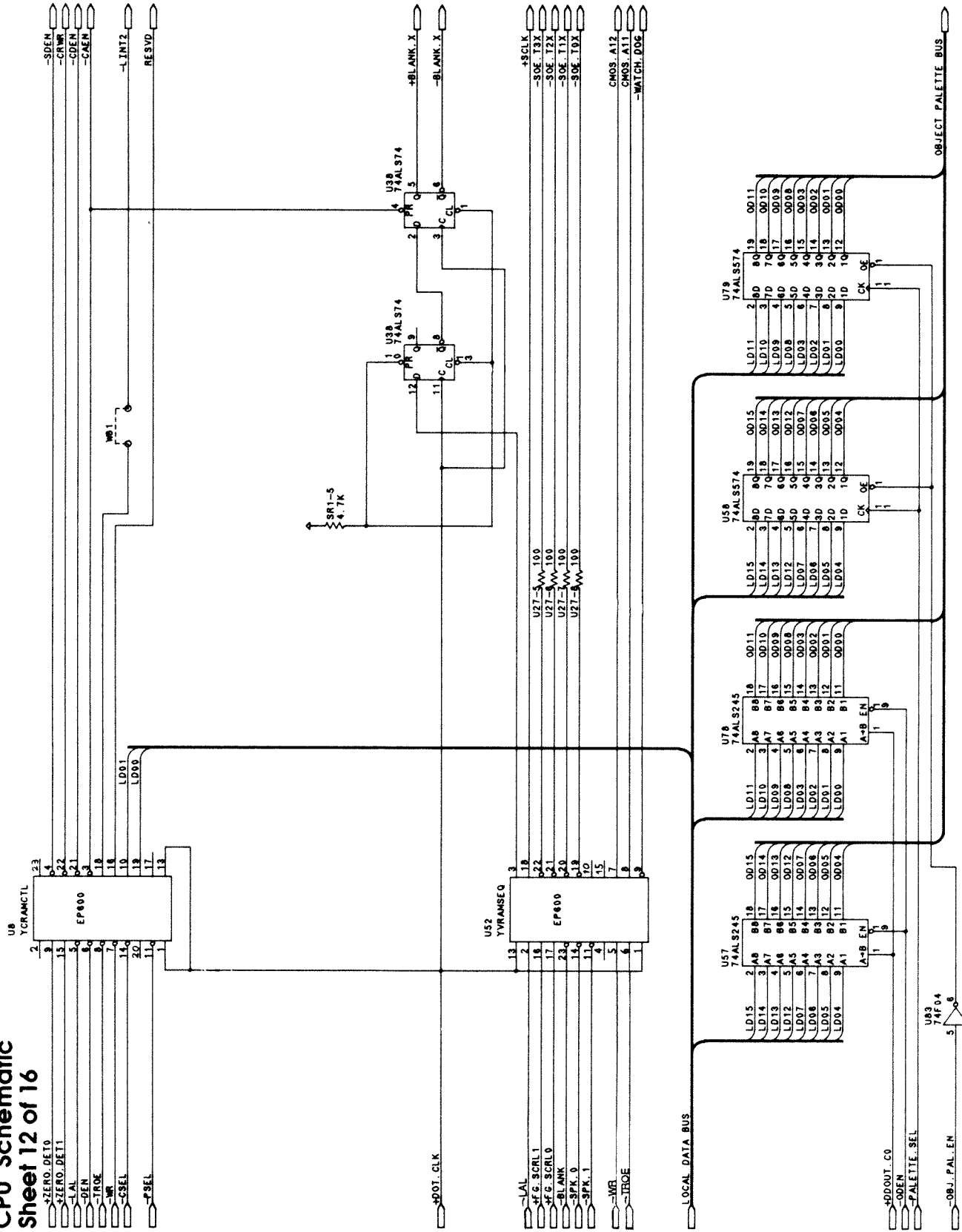
# CPU Schematic Sheet 10 of 16



# CPU Schematic Sheet 11 of 16

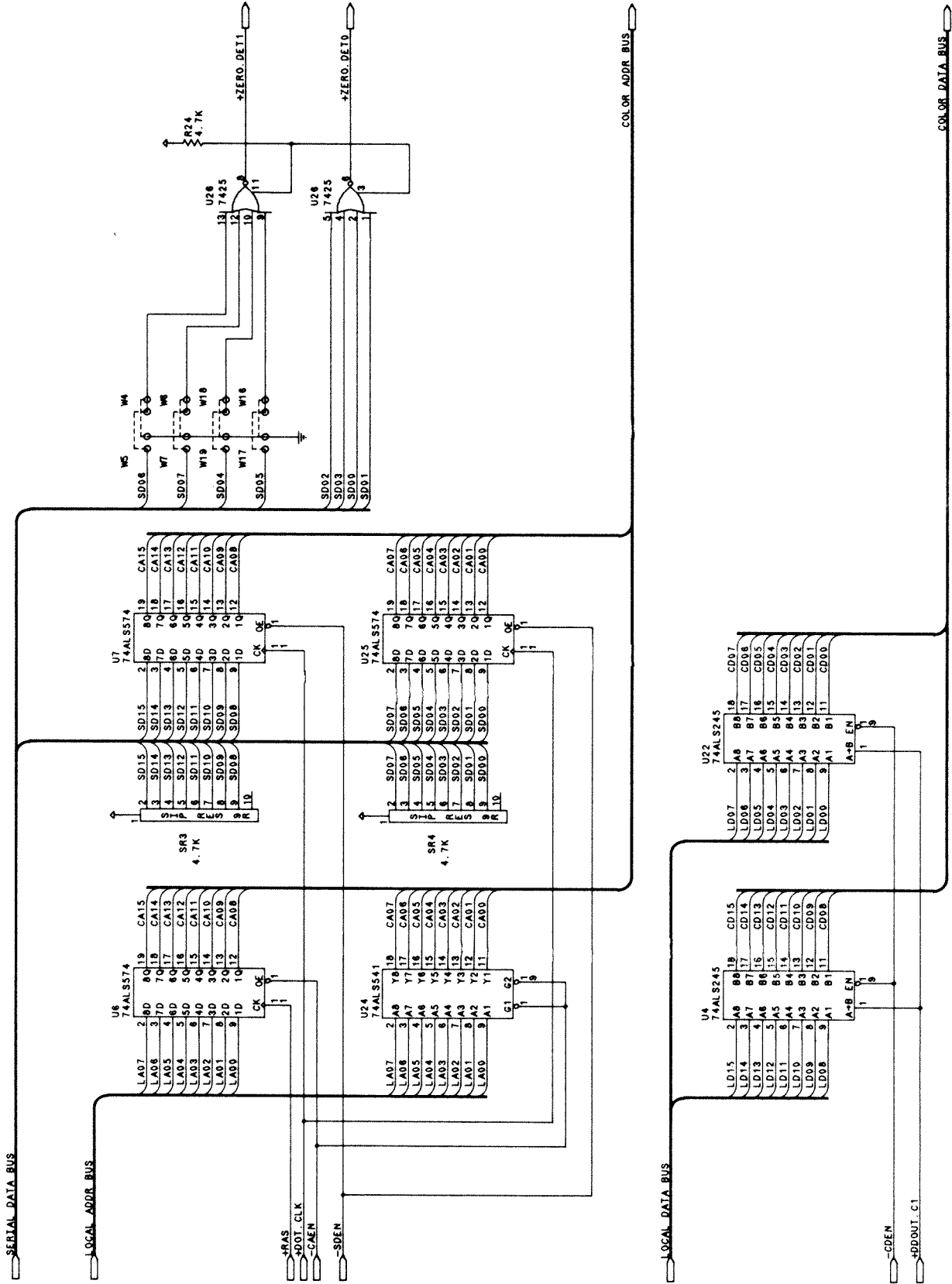


# CPU Schematic Sheet 12 of 16

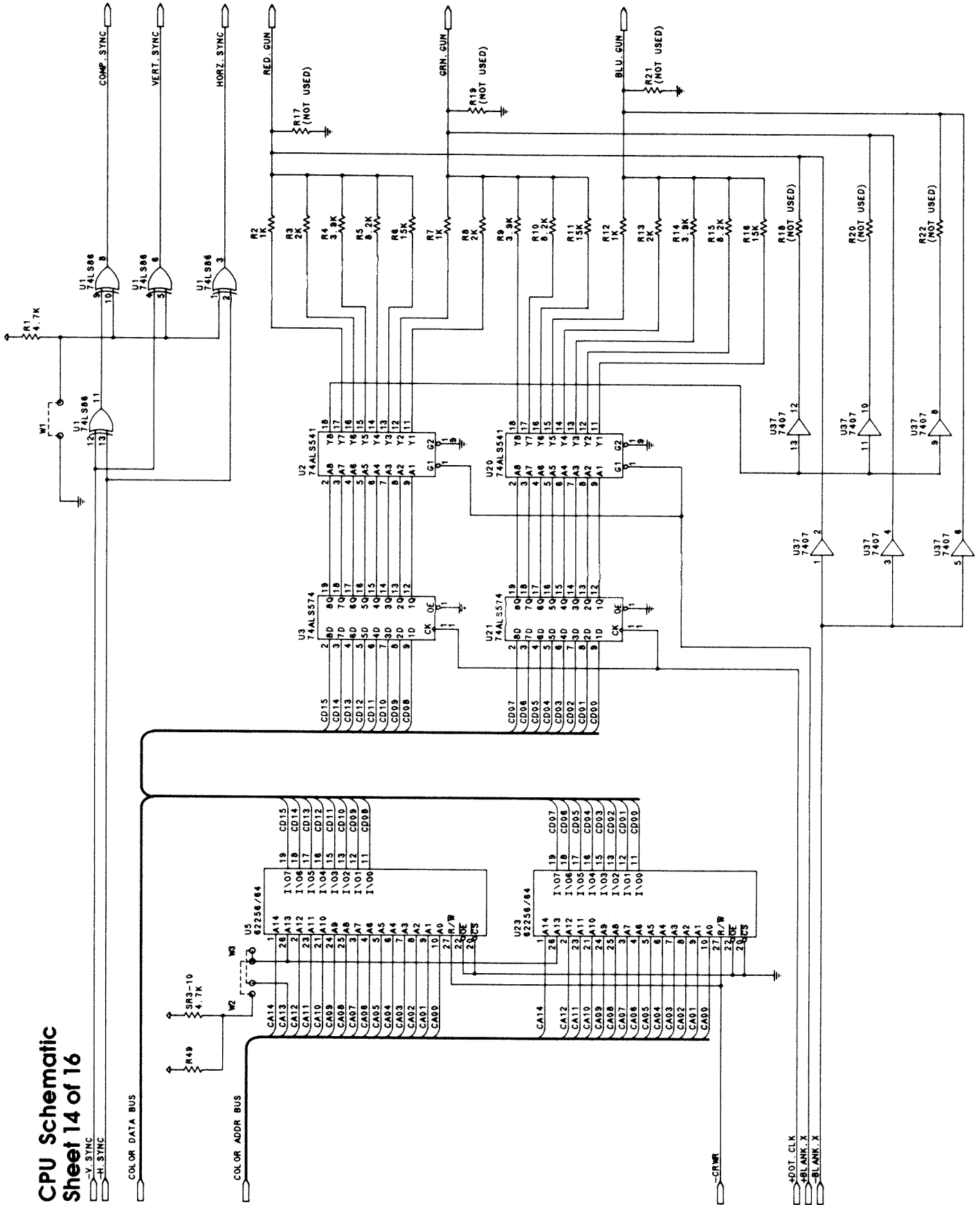




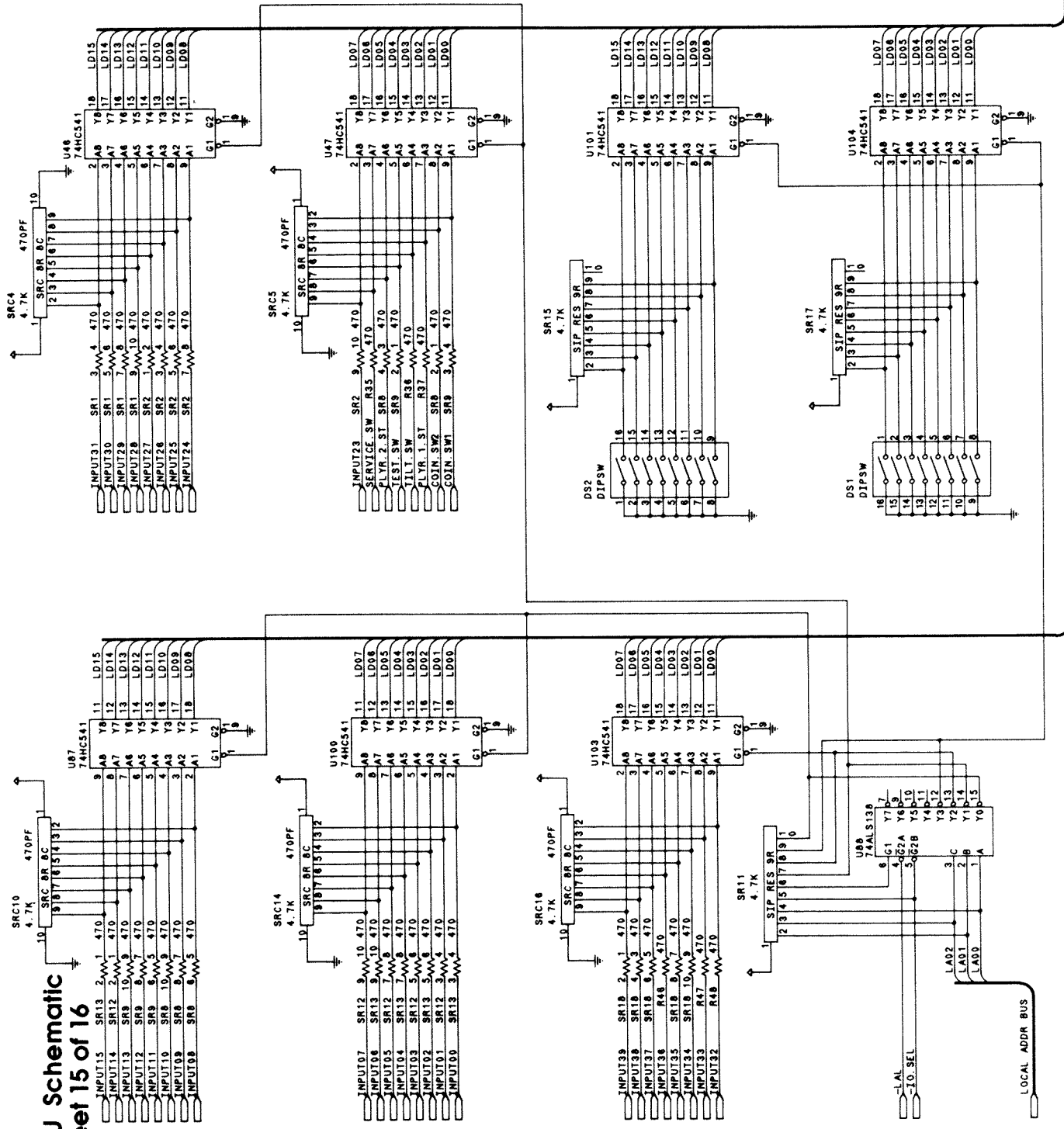
# CPU Schematic Sheet 13 of 16



# CPU Schematic Sheet 14 of 16

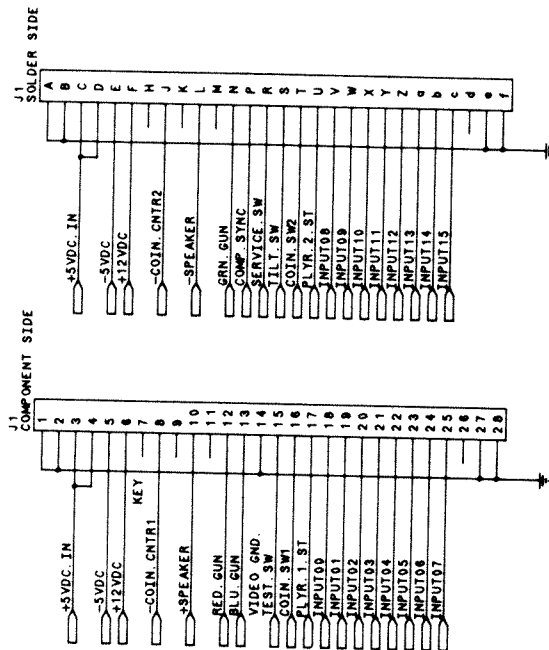


# CPU Schematic Sheet 15 of 16

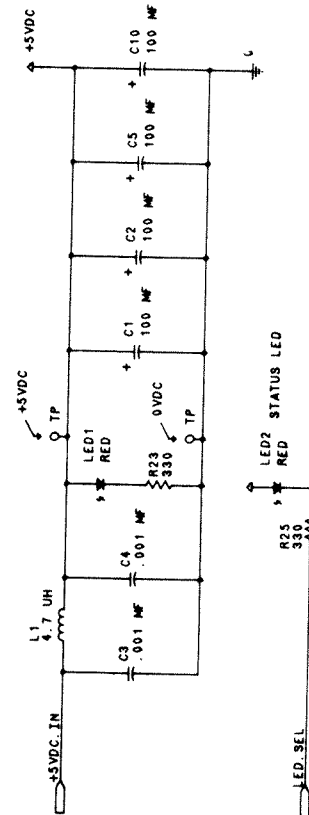
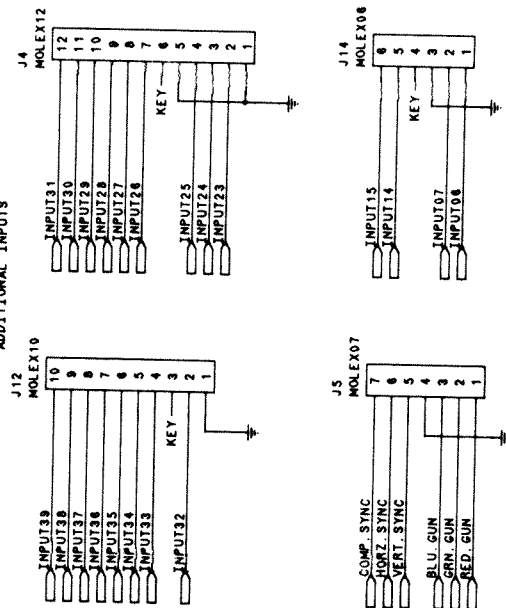


# CPU Schematic Sheet 16 of 16

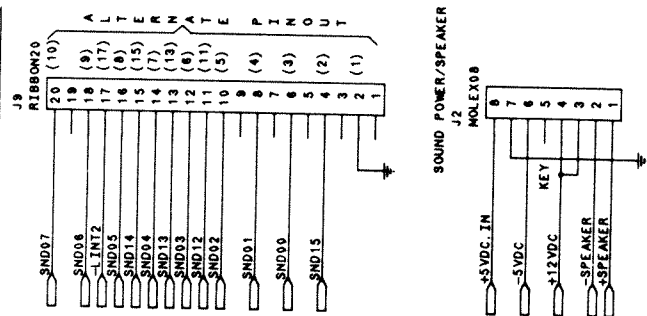
## JANNA INTERFACE



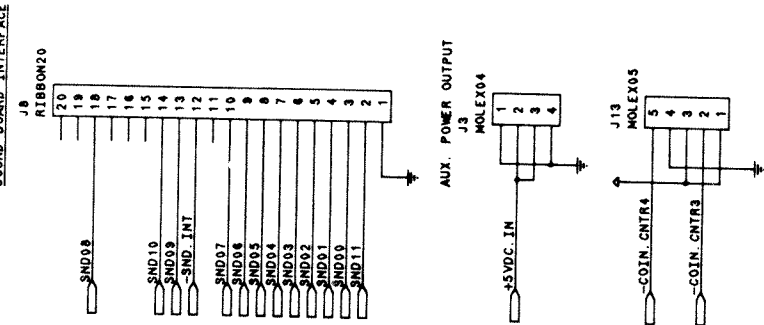
## ADDITIONAL INPUTS



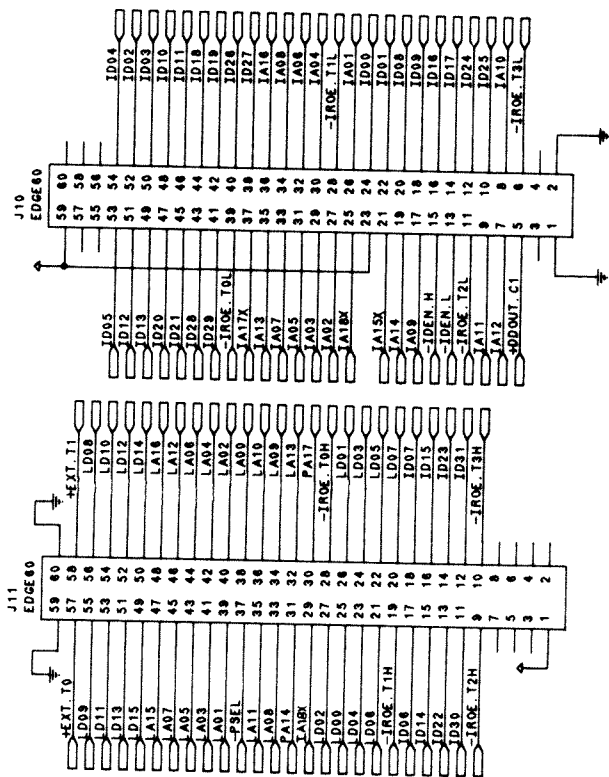
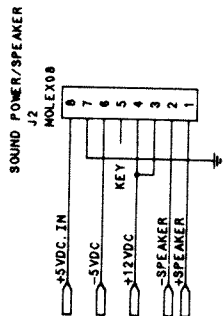
## INTERLUPT INTERFACE



## SOUND BOARD INTERFACE



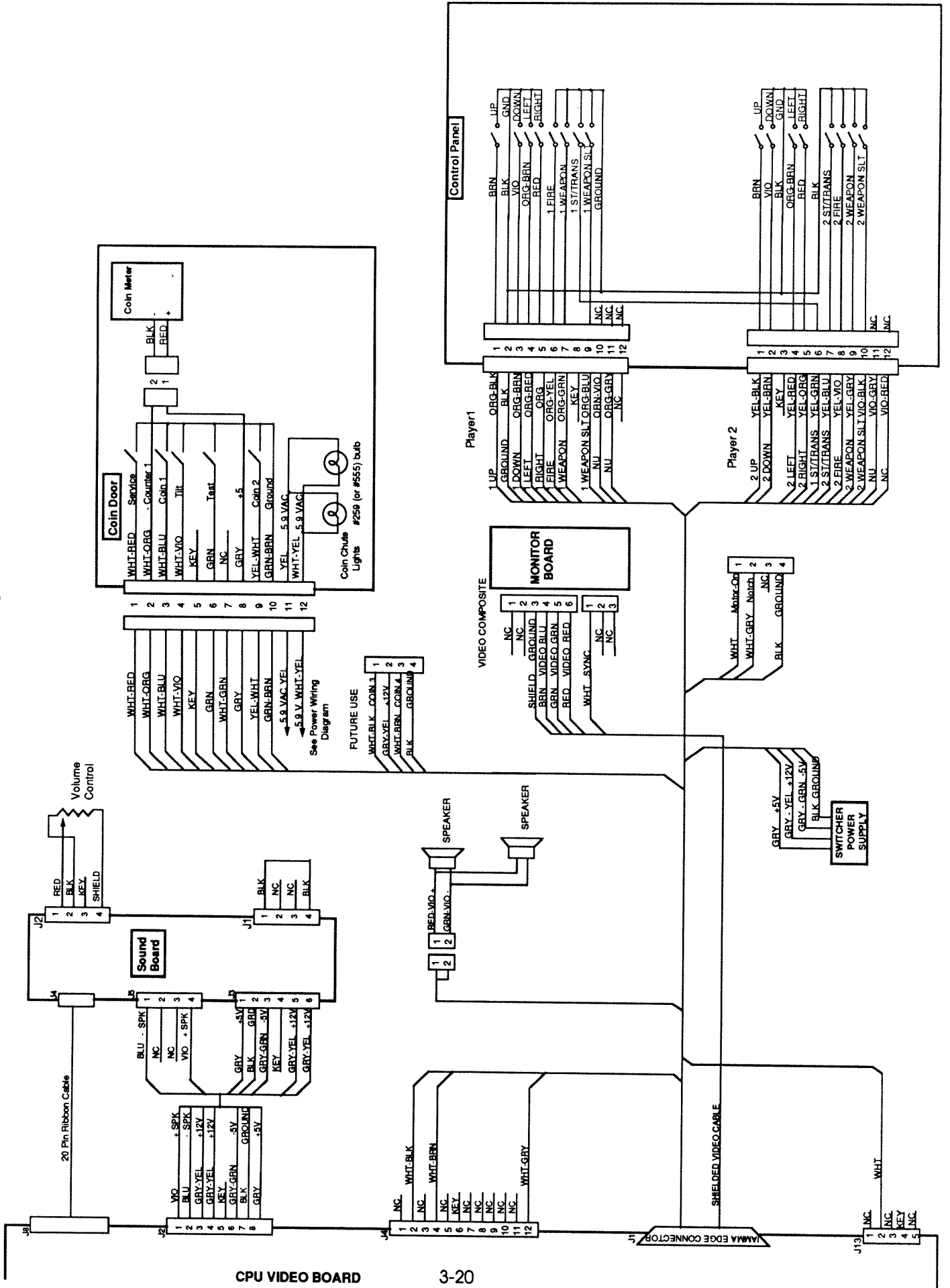
## SOUND POWER/SPEAKER



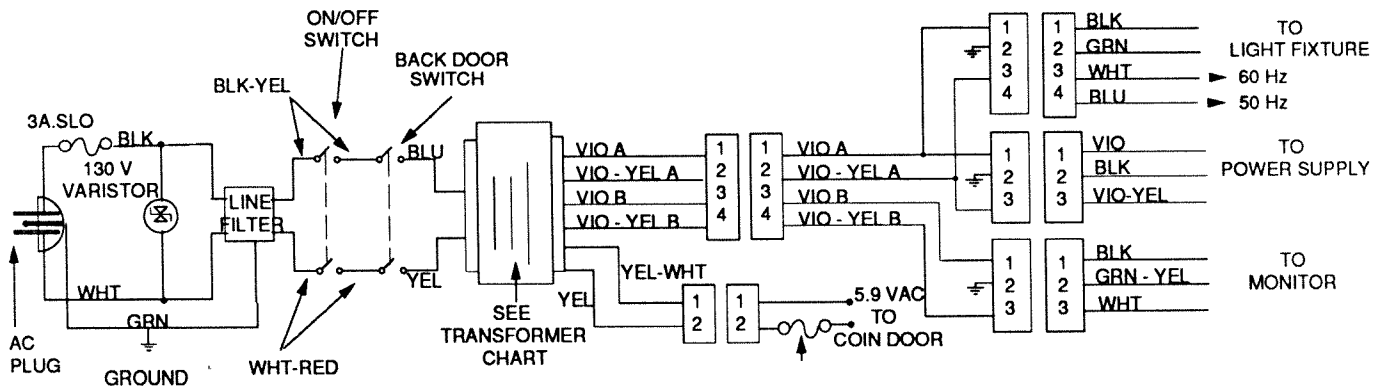
## JAMMA Chart

FUNCTION	WIRE COLOR	PIN	PIN	WIRE COLOR	FUNCTION
Ground	Blk	1	A	Blk	Ground
Ground	Grn-Brn	2	B	Blk	Ground
+5 Volts DC	Gry	3	C	Gry	+5 Volts DC
+5 Volts DC	Gry	4	D	Gry	+5 Volts DC
-5 Volts DC	Gry-Grn	5	E	Gry-Grn	-5 Volts DC
+12 Volts DC	Gry-Yel	6	F	Gry-Yel	+12 Volts DC
	Key	7	H	Key	
Counter 1	Wht-Orn	8	J	Wht-Grn	Counter 2
	NC	9	K	NC	
Speaker (+)	Red-Vio	10	L	Grn-Vio	Speaker (-)
	NC	11	M	NC	
Video Red	Red	12	N	Grn	Video Grn
Video Blue	Brn	13	P	Wht	Video Sync
Video Grd	Shield	14	R	Wht-Red	Service Credit
Test	Grn	15	S	Wht-Vio	Slam Tilt
1 Coin (Left)	Wht-Blu	16	T	Yel-Wht	2 Coin (Right)
1 Start/Transform	Yel-Grn	17	U	Yel-Blu	2 Start/Transform
1 Up Move	Org-Blk	18	V	Yel-Blk	2 Up Move
1 Down Move	Org-Brn	19	W	Yel-Brn	2 Down Move
1 Left Move	Org-Red	20	X	Yel-Red	2 Left Move
1 Right Move	Org	21	Y	Yel-Org	2 Right Move
1 Fire	Org-Yel	22	Z	Yel-Vio	2 Fire
1 Weapon	Org-Grn	23	a	Yel-Gry	2 Weapon
1 Weapon Select	Org-Blu	24	b	Vio-Blk	2 Weapon Select
Not Used	Org-Vio	25	c	Vio-Brn	Not Used
NC	Org-Gry	26	d	Vio-Red	NC
	NC	27	e	NC	
Ground	Blk	28	f	Blk	Ground

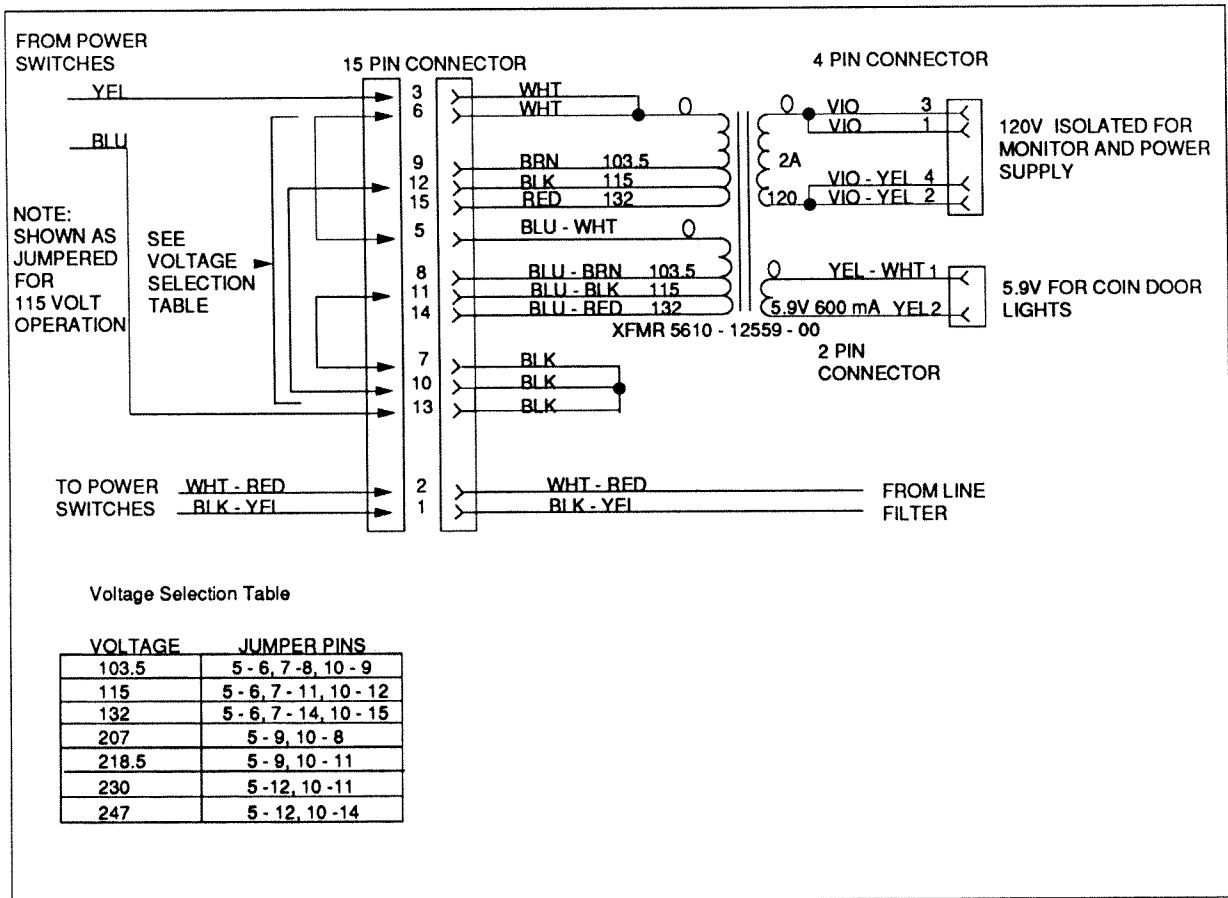
# CABINET WIRING



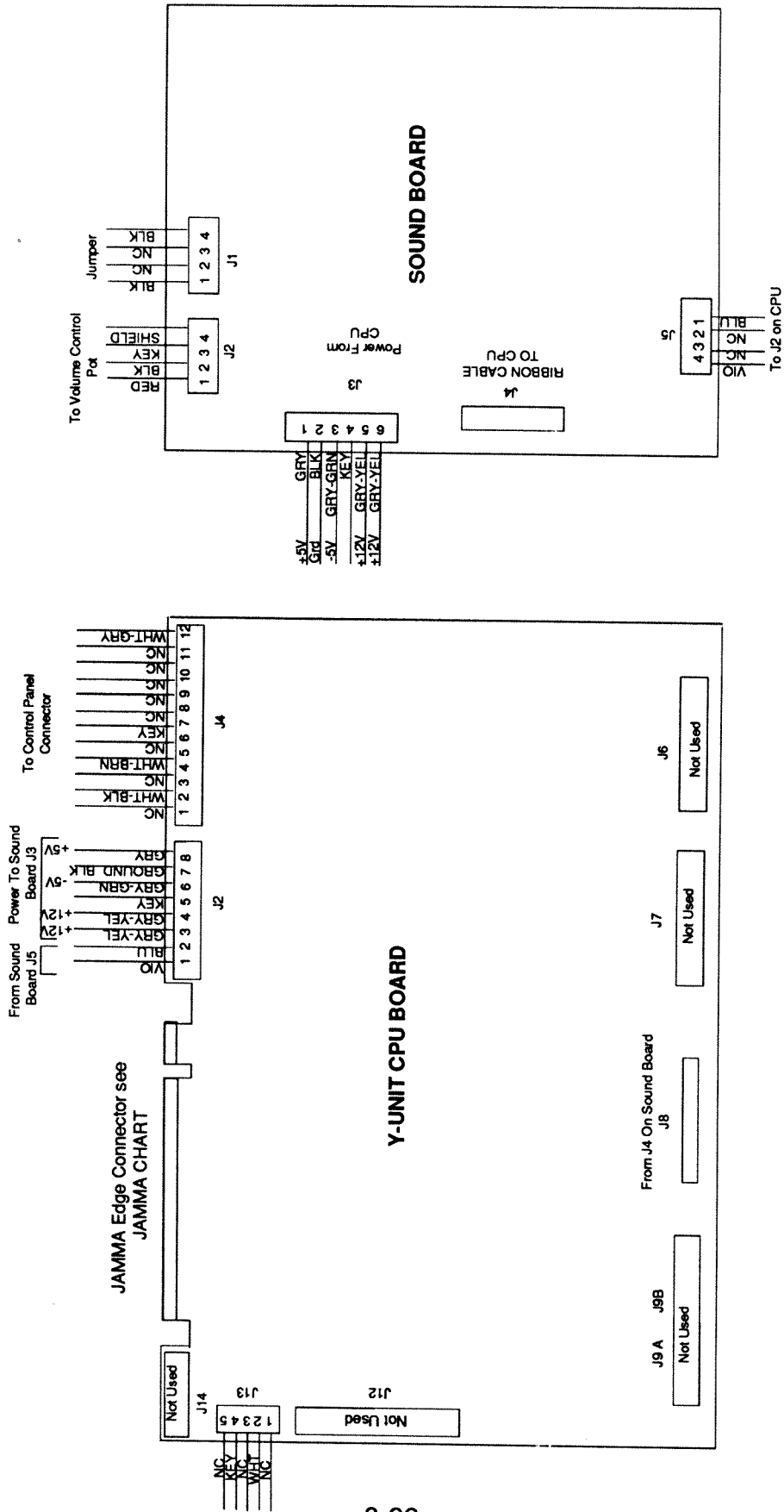
## POWER WIRING DIAGRAM



## TRANSFORMER CHART



# INTERBOARD WIRING





---

---

## Control Panel Wire Colors

### Player 1

Start/Transform  
Yellow-Green  
Black

Move Up  
Brown  
Black

Move Down  
Violet  
Black

Move Left  
Orange-Brown  
Black

Move Right  
Red  
Black

Fire  
Orange-Yellow  
Black

Weapon  
Orange-Green  
Black

Weapon Select  
Orange-Blue  
Black

### Player 2

Start/Transform  
Yellow-Blue  
Black

Move Up  
Brown  
Black

Move Down  
Violet  
Black

Move Left  
Orange-Brown  
Black

Move Right  
Red  
Black

Fire  
Yellow-Violet  
Black

Weapon  
Yellow-Gray  
Black

Weapon Select  
Violet-Black  
Black

# NOTES

## Inserted Jumpers

### Audio Board

W2
W9
W11

### CPU Video Board

W2, W8, W11, W12
W14, W21, W22, W24
W27, W28, W31, W32
W35, W37, W39, W41
W43, W44, W46, W48
W50, W52, W54, W56
W58, W60, W62, W66
W68, W69, W72, W74
W76, W78, W80

## **WARNINGS & NOTICES**

### **Warning**

**USE OF NON-MIDWAY PARTS OR CIRCUIT MODIFICATIONS MAY CAUSE SERIOUS INJURY OR EQUIPMENT DAMAGE! USE ONLY MIDWAY AUTHORIZED PARTS.**

\* For safety and reliability, substitute parts and modifications are not recommended.

\* Substitute parts or modifications may void FCC type acceptance.

\* This game is protected by Federal copyright, trademark and patent laws. Unauthorized modifications may be illegal under Federal law. This also applies to MIDWAY logos, designs, publications and assemblies. Moreover, facsimiles of MIDWAY equipment (or any feature thereof) may be illegal under federal law, regardless of whether or not such facsimiles are manufactured with MIDWAY components.

### **Warning**

This equipment generates, uses and can emit radio frequency energy and, if not installed properly and used according to the directions in this manual, may cause interference to radio communications. It has been tested and found to comply with the limits for a Class A computing device pursuant to Subpart J of part 15 of FCC rules which are designed to provide reasonable protection against such interference when operated in a commercial environment. Operation of this equipment in a residential area is likely to cause interference to radio communications, in which the user, at his or her own expense, will be required to take whatever measures may be needed to correct the interference.

### **Warning**

Prevent shock hazard and assure proper game operation. Only plug this game into a properly grounded outlet. Do not use a cheater plug to defeat the power cord's grounding pin. Do not cut off the ground pin.

### **Notice**

When MIDWAY ships a game, it is in compliance with FCC regulations. Your sticker is proof. If the sticker is missing or damaged, legal repercussions to the owner or distributor of the game may result. If your game does not contain an FCC sticker, call MIDWAY immediately.

### **Notice**

No part of this publication may be reproduced by any mechanical, photographic, or electronic process, or in the form of a phonographic recording, nor may be transmitted, or otherwise copied for public or private use, without permission from the publisher.

Entire contents of this manual COPYRIGHT 1991 MIDWAY MANUFACTURING ALL RIGHTS RESERVED

**For Service:  
Call your Authorized MIDWAY Distributor.**

**MIDWAY Manufacturing  
3401 N. CALIFORNIA AVE.  
CHICAGO, ILLINOIS 60618**