

1 ST PRINTING

**SEGA<sup>®</sup>**  
***Super***  
***Monaco GP***  
**OWNERS MANUAL**



**SEGA ENTERPRISES, INC**

MANUAL NO. 420-5905-03

## TABLE OF CONTENTS

|     |  |         |
|-----|--|---------|
|     | INTRODUCTION TO THE OWNER'S MANUAL.....                          | 2       |
| 1.  | HANDLING PRECAUTIONS.....  | 2       |
| 2.  | PREVENTION OF COUNTERFEITING AND CONVERSION.....                 | 3       |
| 3.  | PRECAUTIONS CONCERNING THE PLACE OF<br>INSTALLATION.....         | 4       |
| 4.  | NAME OF PARTS.....   | 5 - 6   |
| 5.  | HANDLING THE FRESNEL LENS.....                                   | 7       |
| 6.  | REMOVING THE SHIFT LEVER UNIT AND REPLACING THE<br>SWITCH.....   | 9       |
| 7.  | STEERING HANDLE VR ADJUSTMENTS.....                              | 12      |
| 8.  | REMOVING THE ACCELERATOR/BRAKE UNIT AND<br>ADJUSTING THE VR..... | 13      |
| 9.  | DESCRIPTION OF 19 INCH MONITOR.....                              | 14      |
| 10. | SERVICE SWITCHES.....  | 15      |
| 11. | DIP SWITCH SETTING.....  | 16      |
| 12. | TEST MODES.....  | 17      |
| 13. | ROM LOCATIONS.....   | 26      |
| 14. | PARTS LIST.....  | 28 - 54 |
| 15. | WIRING DIAGRAM.....  | 55 - 56 |

### UPRIGHT TYPE SPECIFICATIONS

|                       |                   |
|-----------------------|-------------------|
| INSTALLATION SPACE... | : 40.6 IN. X 25.2 |
| HEIGHT.....           | : 74 IN.          |
| POWER.....            | : 155 WATTS       |
| C.R.T.....            | : 19 INCH         |
| WEIGHT.....           | : 286 LBS.        |

NOTE: DESCRIPTIONS HEREIN CONTAINED MAY BE SUBJECT TO IMPROVEMENT CHANGES WITHOUT NOTICE



## INTRODUCTION OF THE OWNER'S MANUAL

SEGA ENTERPRISES, LTD., supported by its high electronic technology of LSIs, microprocessors, etc. an a wealth of experience, has for more than 30 years been supplying various innovative and popular game machines to the world market. This OWNER'S manual is intended to provide detailed comments together with all the necessary information covering the operation in general of electronic assemblies, electromechanicals servicing control, spare parts, etc. as regards the **SUPER MONACO GP** a new SEGA product. The manual is intended for those who have knowledge of electricity and technical expertise especially in ICs, CRTs, microprocessors, etc. Carefully read so as to acquire sufficient knowledge before working on the machine. Should there be a malfunction, non-technical personnel should under no circumstance touch the interior system.

### I. HANDLING PRECAUTIONS

When installing or inspecting, be very careful of the following points and pay attention to ensure that the player can enjoy the game safely.

- o Be sure to turn the power off before turning on the machine.
- o To insert or pull out the plug quickly is dangerous.
- o It is necessary to make sure that the power cord or the grounding wire is not exposed on the road, etc. in a manner so as to be dangerous. Make sure that grounding connections are made safely at the position where specified.
- o Do not use any fuse that does not meet the specified rating.
- o Make complete connections for the IC board and other connectors. Insufficient insertion is very dangerous.

Also, for the IC board circuit inspections, only the logic tone is allowed. The use of a tester is not permitted, so be careful in this regard. After confirming that there are no irregularities, turn the power ON.

## 2. PREVENTION OF COUNTERFEITING AND CONVERSION

### LABELLING

To prevent counterfeits and conversions, the following labels are put on all the SEGA products. When handling such goods, be sure to confirm the labels. They are used to prevent illegal acts such as the unauthorized copying of the products and the printed circuit boards thereof or carrying on business by manufacturing similar merchandise or by converting, selling or using such products or printed circuit boards.

The following seal is put on the machines manufactured by SEGA.

### ORIGINAL SEAL



### COPYRIGHT NOTICE

This SEGA product has the copyright notice as follows:

© SEGA 1989

This signifies that this work was disclosed in 1989 and is the property of SEGA ENTERPRISES, LTD.

### 3. PRECAUTIONS CONCERNING THE PLACE OF INSTALLATION

The **SUPER MONACO GP** is an indoor game machine. Absolutely do not install it outside. Even indoors, avoid installing in places mentioned below so as to ensure proper usage:

- o Places subject to rain or water leakage, or condensation due to humidity.
- o In the proximity of an indoor swimming pool and/or shower.
- o Places subject to direct sunlight.
- o Places subject to heat sources from heating units, etc., or hot air.
- o Vicinity of highly inflammable/volatile chemicals or hazardous matter.
- o Sloped surfaces.
- o Vicinity of anti-disaster facilities such as fire exits and fire extinguishers.
- o Places subject to any type of violent impact.
- o Dusty places.

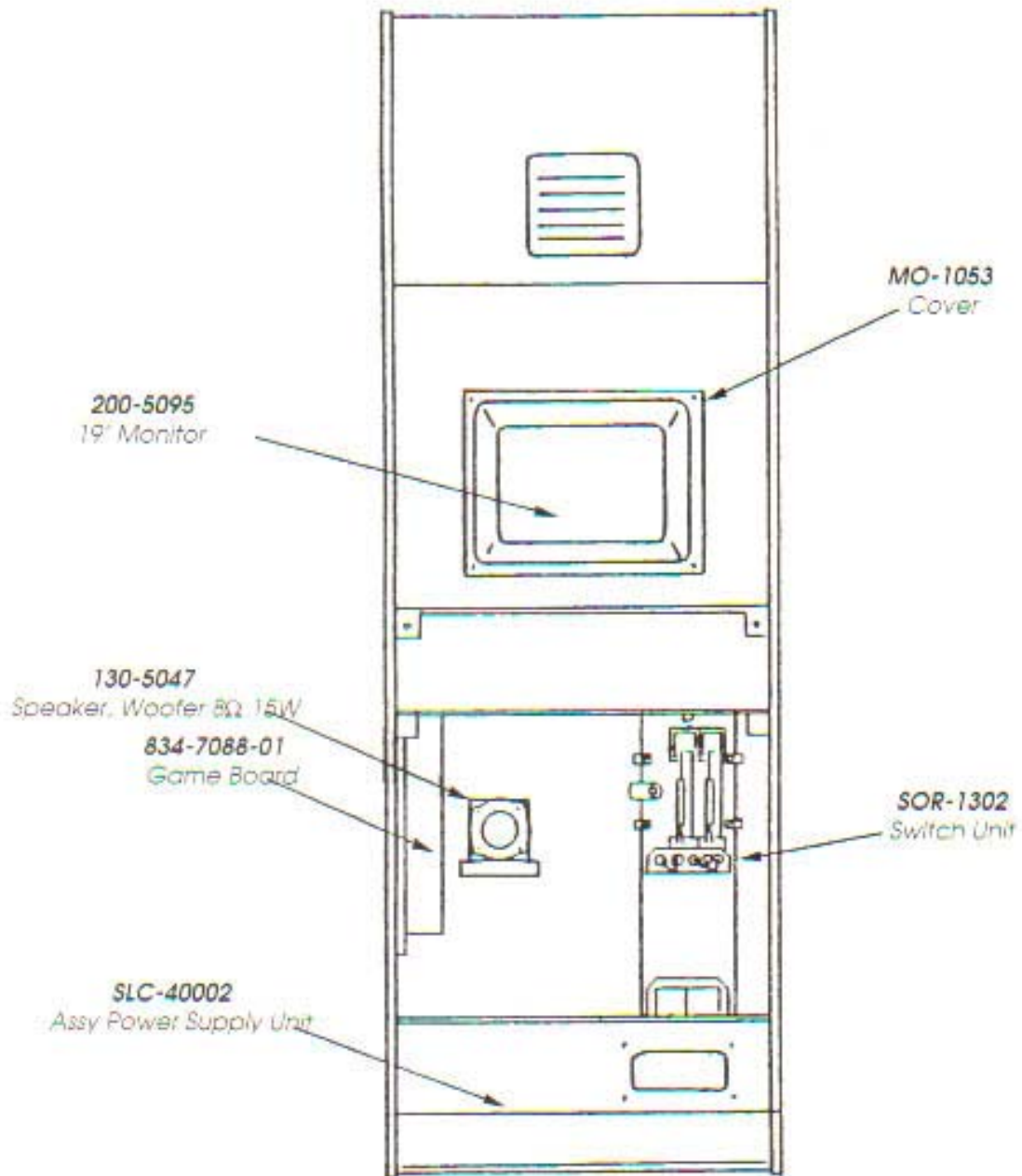
4. NAME OF PARTS - I



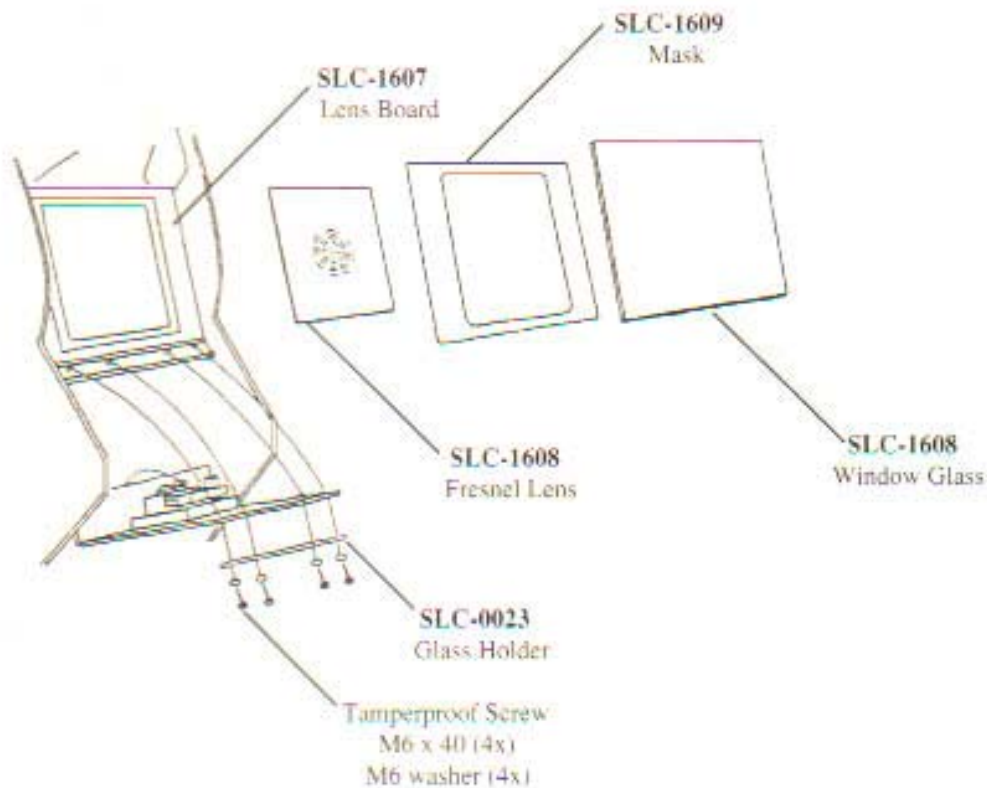


Super Monaco GP

**NAME OF PARTS - 2**



## 5. HANDLING THE FRESNEL LENS



### (1) REMOVING THE FRESNEL LENS

Remove the GLASS HOLDER (SLC-0023) by taking off the four M6 x 40 TAMPER PROOF SCREWS.

The WINDOW GLASS (SLC-1608), MASK (SLC-1609), and FRESNEL LENS (SLC-1068) can be removed by opening the CONTROL PANEL. The FRESNEL LENS is inserted in the LENS BOARD (SLC-1607). Pay careful attention so as not to cause damage to the lens mentioned above.

### (2) FRESNEL LENS CLEANING, ETC.

When dust, etc. adheres to the FRESNEL LENS, remove them by lightly wiping it off, using a soft cloth such as gauze, etc. with chemical detergent or alcohol being applied, and then wring it out thoroughly (when a chemical detergent is used for wiping, lightly wipe it off again with a soft cloth after applying water to it and wringing it out completely). At this time, the adhered dust can easily be removed by wiping the FRESNEL LENS surface (convexed, concaved) along the arc.



### (3) INSTALLING THE FRESNEL LENS

When installing the FRESNEL LENS, pay careful attention so that the surface (convexed, concaved) is positioned towards you, in the procedure opposite to that used when it was disassembled.

### (4) FRESNEL LENS HANDING PRECAUTIONS

When the FRESNEL LENS is subject to extremely hot temperatures, it deforms due to its properties, therefore, you should keep it away from heating equipment such as heaters, etc.

This LENS warps when it is located at places where the temperature and humidity are extremely high, therefore, pay careful attention to this point.

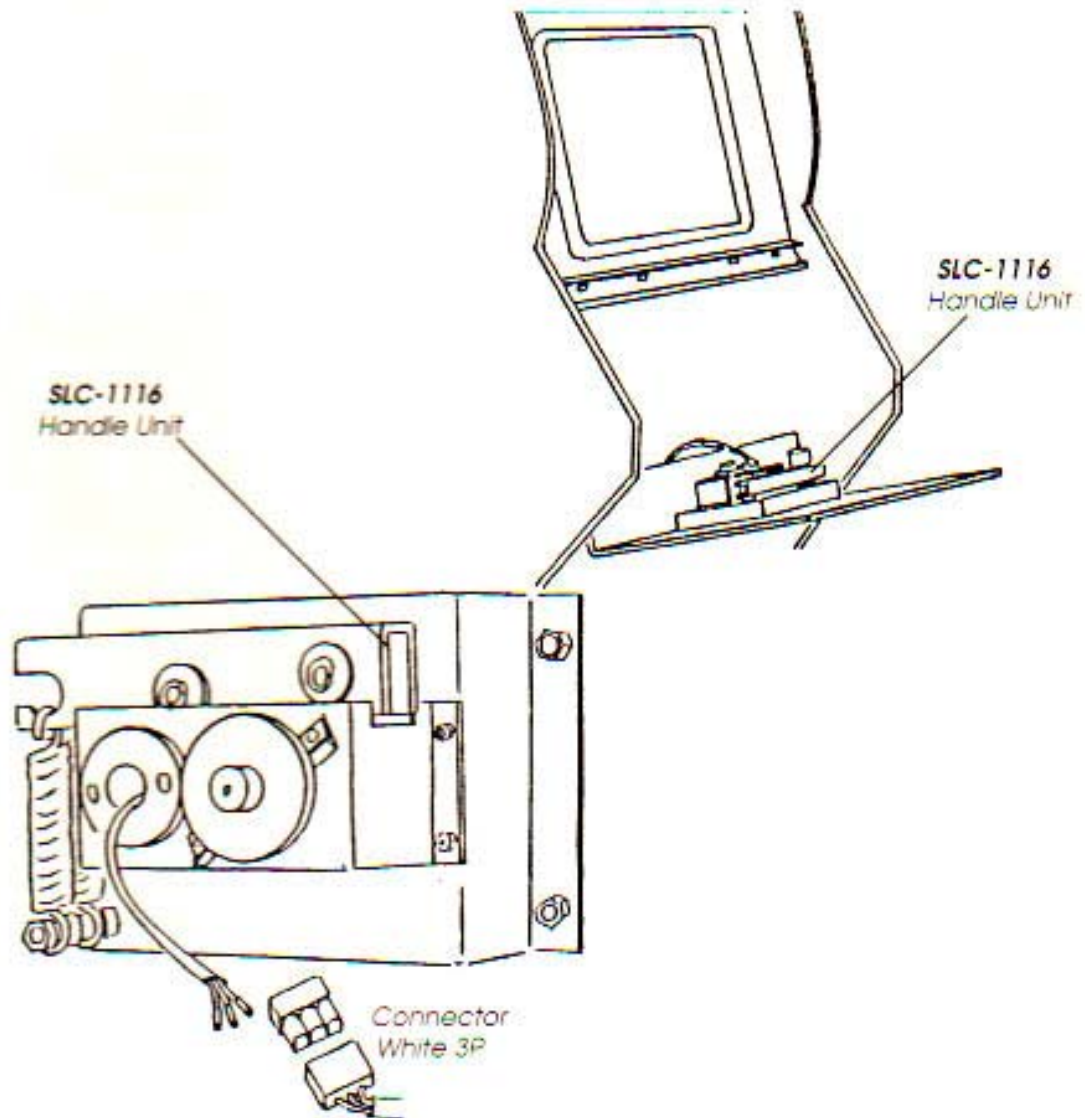
Since the LENS surface can easily be damaged, do not rub it with hard items such as a brush, etc.

Do not wipe the LENS with a cloth containing volatile matter such as thinner, gasoline, insecticide, etc. (using said matter may cause the LENS to be cracked even in a location that has a regular room temperature).

## 6. REMOVING THE SHIFT LEVER UNIT AND REPLACING THE SWITCH

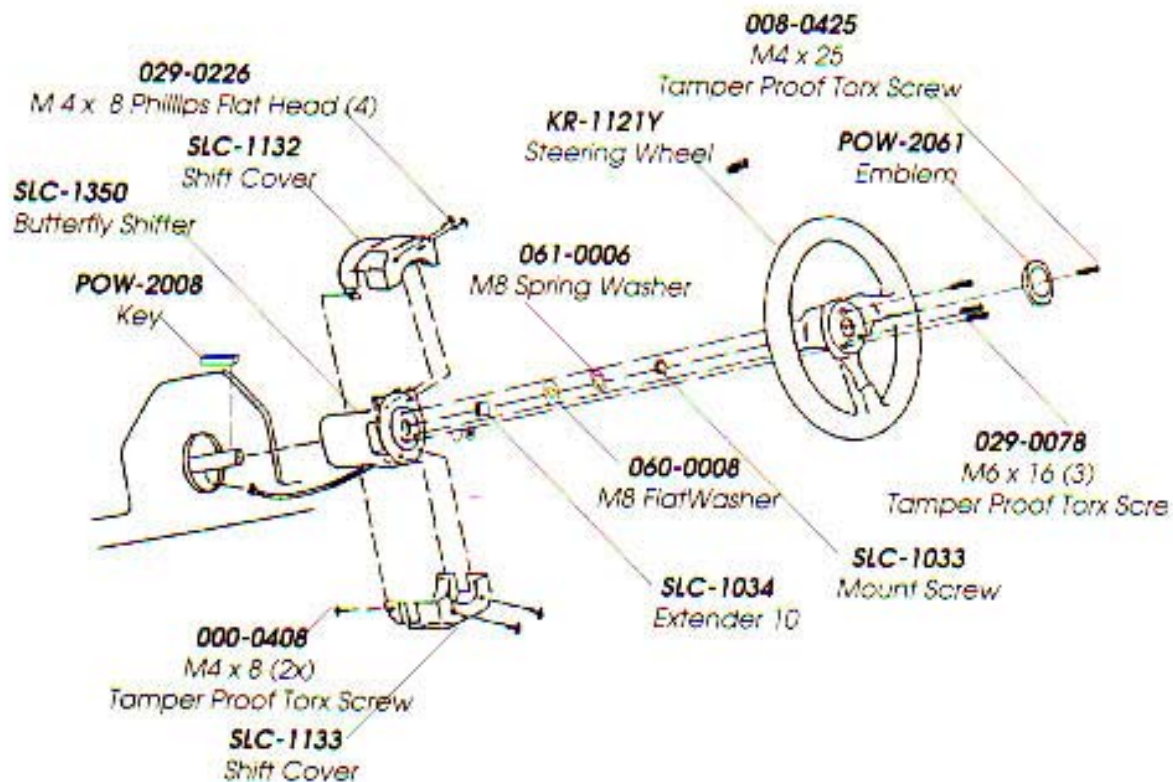
### REMOVING THE SHIFT UNIT

- (1) Open the CONTROL PANEL (refer to 5. HANDLING THE FRESNEL LENS).
- (2) Disconnect the CONNECTOR (white 3P) of the wire (gray) which comes out of the HANDLE UNIT (SLC-1116) and also disconnect the CONNECTOR PINS, in the manner as shown.



## Super Monaco GP

- (3) Take off the EMBLEM ( POW-2061 ) by taking out the M4 TAMPER PROOF SCREW,
- (4) Remove the STEERING HANDLE ( KR-1121Y ) by taking off the three M6 CAP SCREWS,
- (5) Remove the two SHIFT COVERS ( SLC-1132, SLC-1133 ) by taking off the two M4 TAMPER PROOF SCREWS, and the four M4 FLAT SCREWS.
- (6) Remove the MOUNT SCREW ( SLC-1033 ) and take out the SHIFT LEVER UNIT ( SLC-1350 ).



### - CAUTION -

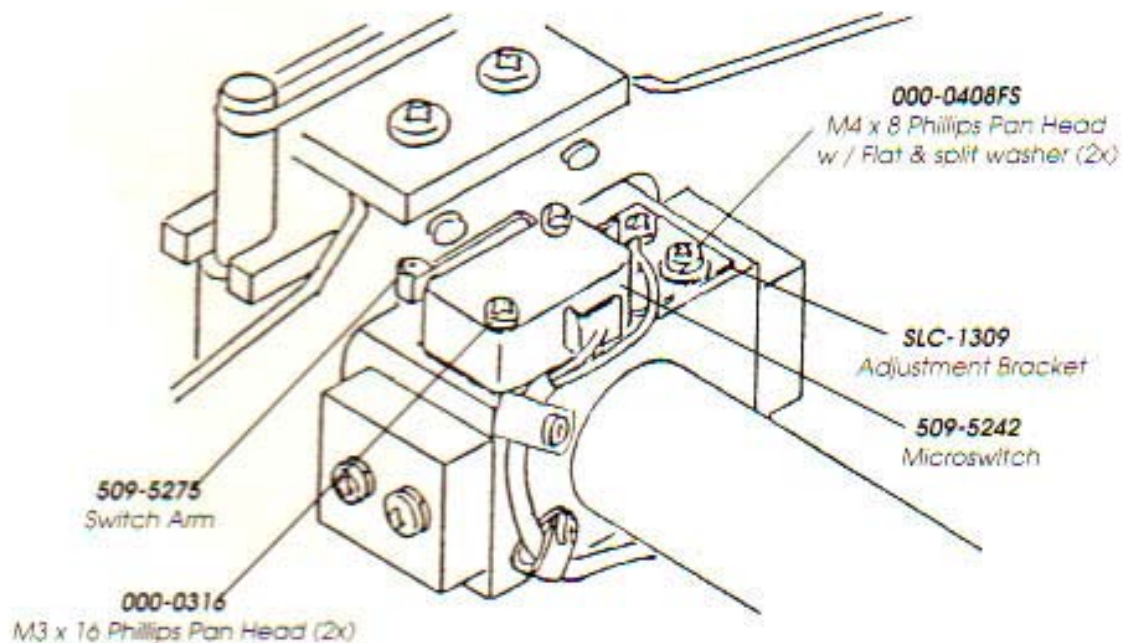
The STEERING HANDLE portion tends to be subject to great shock, causing the screws to be come loose, therefore, be sure to securely tighten them.

Also, when fastening the HEX SKT H CAP SCREWS, apply a 180 kgf. cm torque.



## REPLACING THE MICROSWITCH

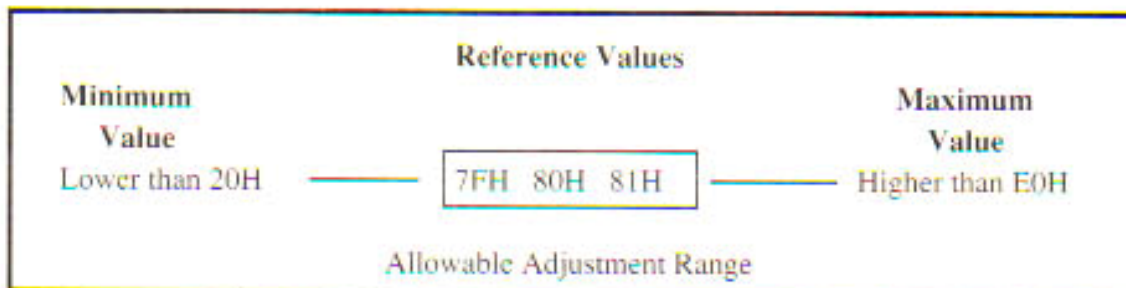
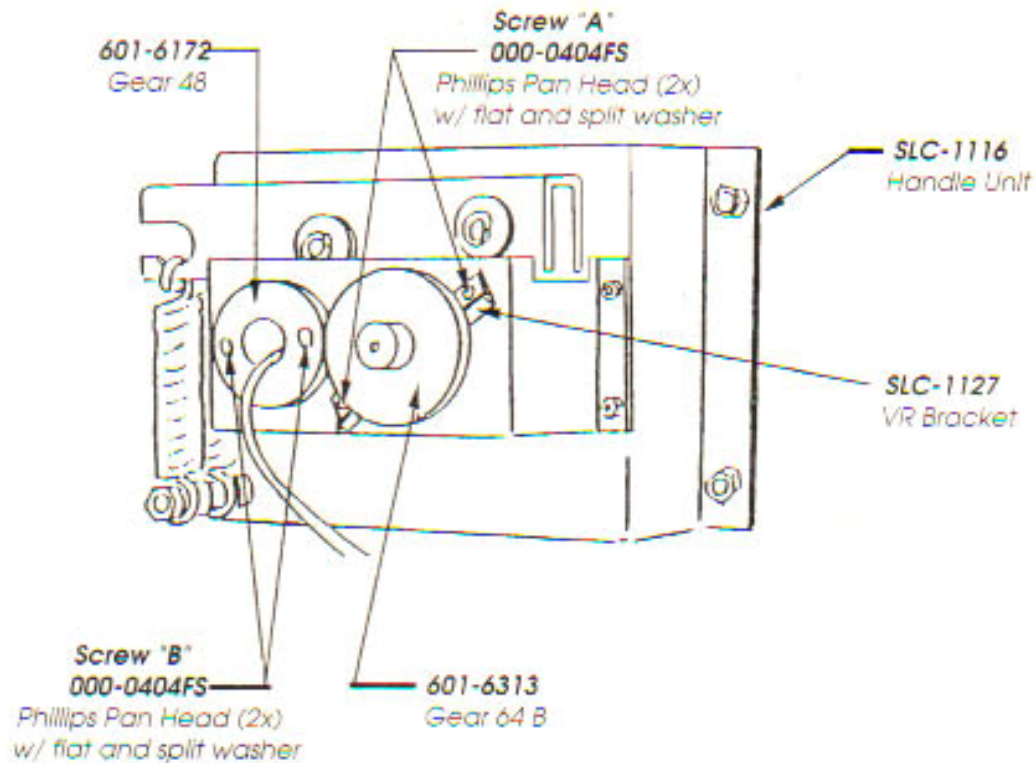
- (1) Remove the **SHIFT COVER** (SLC-1132, SLC-1133) in the same manner as when taking out the **SHIFT LEVER UNIT**.
- (2) The **MICROSWITCHES** can be taken out by removing the wire's soldering and taking off the two **M3 SCREWS** from each **MICROSWITCH**.
- (3) The **MICROSWITCHES** fine adjustments can be made by loosening the two **M4 SCREWS** and moving the **ADJUSTMENT BRACKET** (SLC-1309).



## 7. STEERING HANDLE VR ADJUSTMENTS

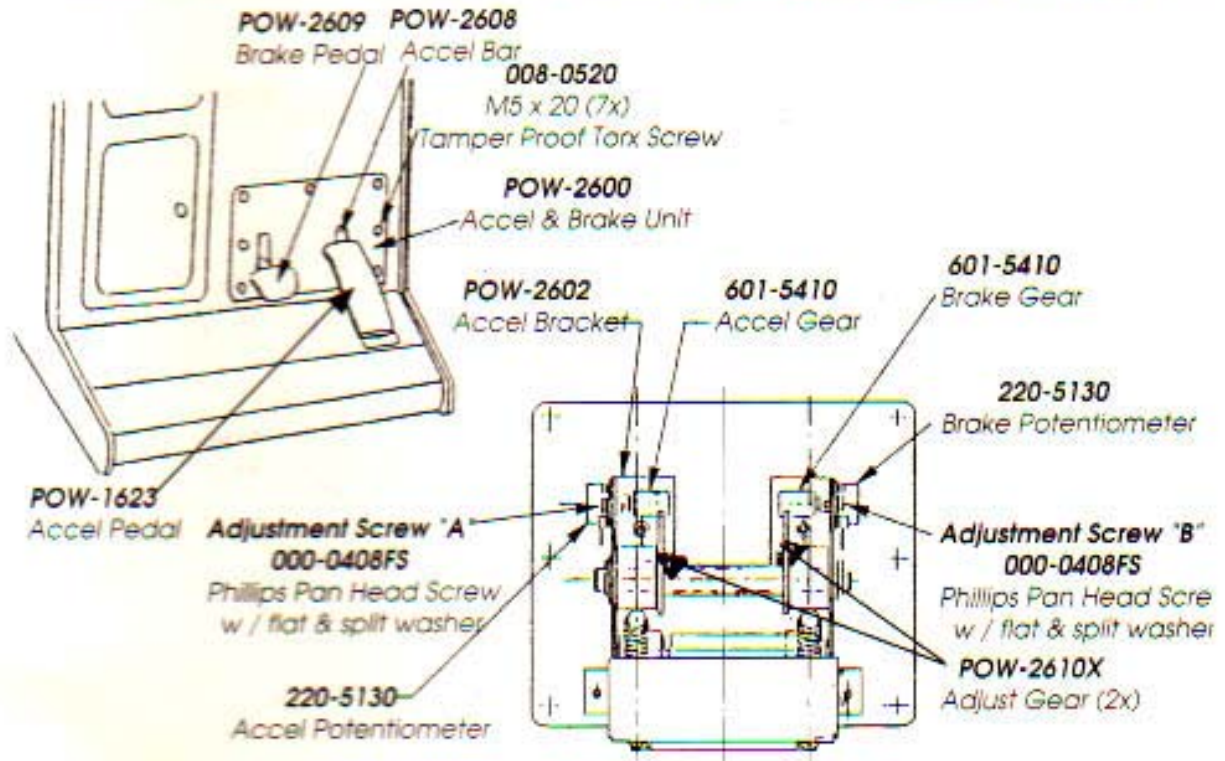
VR adjustments will be made in the TEST MODE'S INPUT TEST screen.

- (1) Loosen the two SCREWS "A" (M4 X 8) of the VR BRACKET (SLC-1127), turn GEAR "A", and make sure that the on-screen numerical value becomes approximately 80H. When loosening the screws, adjust the gear backlash.
- (2) Next, loosen the NUT (M6) and two SCREWS "B" (M4 X 8) which secure GEAR "B", turn GEAR "B" and make fine adjustments to  $80H \pm 1$ .



## 8. REMOVING THE ACCELERATOR / BRAKE UNIT AND ADJUSTING THE VR

To remove the accelerator/brake unit, take off the seven M5 TAMPER PROOF SCREWS.



### ADJUSTING THE ACCELERATOR/BRAKE

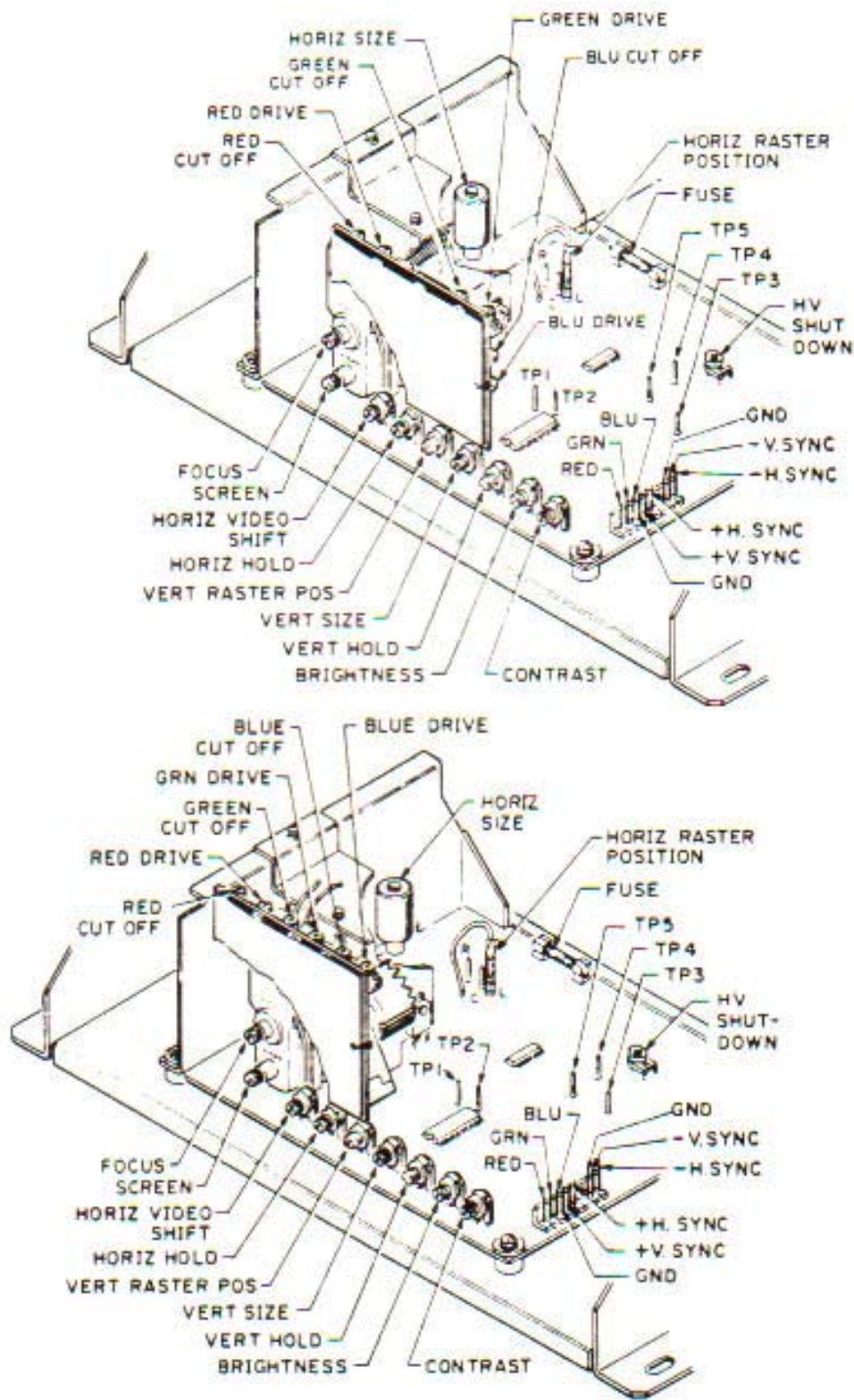
Make adjustments of the accelerator/brake by using the following procedure: Perform the V.R. numerical adjustments in the test mode's INPUT TEST screen.

- (1) Loosen SCREW "A" of the VR BRACKET, turn GEAR "A" and make sure that the on-screen numerical value becomes approximately 20H. When fastening the screw, adjust the gear backlash.
- (2) Then, loosen SCREW "B", turn GEAR "B" and make time adjustments to  $20H \pm 4$ .

|                            |  | Reference Values                    |     |     |     |     |     |     |         |           |           |
|----------------------------|--|-------------------------------------|-----|-----|-----|-----|-----|-----|---------|-----------|-----------|
| ACCELERATOR                |  | 1CH                                 | 1DH | 1EH | 1FH | 20H | 21H | 22H | 23H     | 24H       | (OVERCOH) |
| BRAKE                      |  | 1CH 1DH 1EH 1FH 20H 21H 22H 23H 24H |     |     |     |     |     |     | Maximum | (OVERCOH) |           |
| Allowable adjustment range |  |                                     |     |     |     |     |     |     |         |           |           |

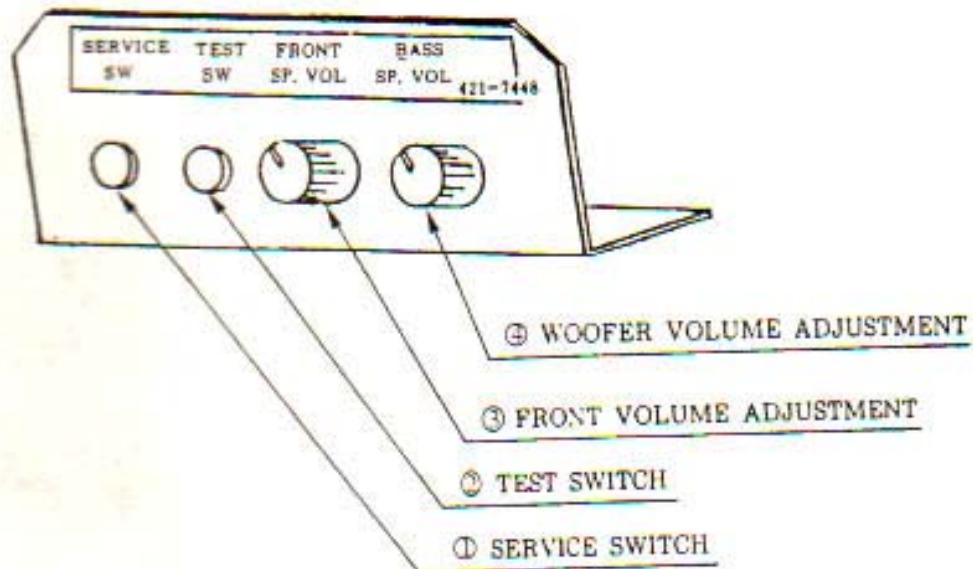


### 9. DESCRIPTION OF 19 INCH MONITOR



## 10. SERVICE SWITCHES

Open the COIN CHUTE DOOR, and the following SERVICE SWITCHES' layout will appear:



- (1) SERVICE SWITCH..... Used for the purpose of servicing and increasing the credits without registering on the meter (this allows you to check the game).
- (2) TEST SWITCH.....For the operation of this switch, see SELF-TEST.
- (3) VOLUME ADJUSTMENT.....Used for adjusting the volume of the speaker.
- (4) WOOFER VOLUME ADJUSTMENT .....Used for adjusting the volume of the WOOFER SPEAKER.



### 11. DIP SWITCH SETTING

| COIN / CREDIT OPTION SWITCH SETTING |  | DIP SW A   |     |     |     |            |     |     |     |
|-------------------------------------|--|------------|-----|-----|-----|------------|-----|-----|-----|
| OPTION                              |  | 1          | 2   | 3   | 4   | 5          | 6   | 7   | 8   |
| 1 COIN 1 CREDIT                     |  | OFF        | OFF | OFF | OFF | OFF        | OFF | OFF | OFF |
| 1 COIN 2 CREDITS                    |  | ON         | OFF | OFF | OFF | ON         | OFF | OFF | OFF |
| 1 COIN 3 CREDITS                    |  | OFF        | ON  | OFF | OFF | OFF        | ON  | OFF | OFF |
| 1 COIN 4 CREDITS                    |  | ON         | ON  | OFF | OFF | ON         | ON  | OFF | OFF |
| 1 COIN 5 CREDITS                    |  | OFF        | OFF | ON  | OFF | OFF        | OFF | ON  | OFF |
| 1 COIN 6 CREDITS                    |  | ON         | OFF | ON  | OFF | ON         | OFF | ON  | OFF |
| 2 COINS 1 CREDIT                    |  | OFF        | ON  | ON  | OFF | OFF        | ON  | ON  | OFF |
| 3 COINS 1 CREDIT                    |  | ON         | ON  | ON  | OFF | ON         | ON  | ON  | OFF |
| 4 COINS 1 CREDIT                    |  | OFF        | OFF | OFF | ON  | OFF        | OFF | OFF | ON  |
| 2 COINS 3 CREDITS                   |  | ON         | OFF | OFF | ON  | ON         | OFF | OFF | ON  |
| 2 COINS 1 CREDIT                    |  | OFF        | ON  | OFF | ON  | OFF        | ON  | OFF | ON  |
| 4 COINS 2 CREDITS                   |  |            |     |     |     |            |     |     |     |
| 5 COINS 3 CREDITS                   |  |            |     |     |     |            |     |     |     |
| 6 COINS 4 CREDITS                   |  |            |     |     |     |            |     |     |     |
| 2 COINS 1 CREDIT                    |  | ON         | ON  | OFF | ON  | ON         | ON  | OFF | ON  |
| 4 COINS 3 CREDITS                   |  |            |     |     |     |            |     |     |     |
| 1 COIN 1 CREDIT                     |  | OFF        | OFF | ON  | ON  | OFF        | OFF | ON  | ON  |
| 2 COINS 2 CREDITS                   |  |            |     |     |     |            |     |     |     |
| 3 COINS 3 CREDITS                   |  |            |     |     |     |            |     |     |     |
| 4 COINS 4 CREDITS                   |  |            |     |     |     |            |     |     |     |
| 5 COINS 6 CREDITS                   |  |            |     |     |     |            |     |     |     |
| 1 COIN 1 CREDIT                     |  | ON         | OFF | ON  | ON  | ON         | OFF | ON  | ON  |
| 2 COINS 2 CREDITS                   |  |            |     |     |     |            |     |     |     |
| 3 COINS 3 CREDITS                   |  |            |     |     |     |            |     |     |     |
| 4 COINS 5 CREDITS                   |  |            |     |     |     |            |     |     |     |
| 1 COIN 1 CREDIT                     |  | OFF        | ON  | ON  | ON  | OFF        | ON  | ON  | ON  |
| 2 COINS 3 CREDITS                   |  |            |     |     |     |            |     |     |     |
| FREE PLAY                           |  | ON         | ON  | ON  | ON  | ON         | ON  | ON  | ON  |
|                                     |  | COIN SW #1 |     |     |     | COIN SW #2 |     |     |     |



| GAME OPTION SWITCH SETTINGS         |         | DIP SW B |     |     |     |     |     |     |     |
|-------------------------------------|---------|----------|-----|-----|-----|-----|-----|-----|-----|
| OPTION                              |         | 1        | 2   | 3   | 4   | 5   | 6   | 7   | 8   |
| ID NUMBER WHEN LINKING MACHINES     | 1       | OFF      | OFF | OFF |     |     |     |     |     |
|                                     | 2       | ON       | OFF | OFF |     |     |     |     |     |
|                                     | 3       | OFF      | ON  | OFF |     |     |     |     |     |
|                                     | 4       | ON       | ON  | OFF |     |     |     |     |     |
|                                     | 5       | OFF      | OFF | ON  |     |     |     |     |     |
|                                     | 6       | ON       | OFF | ON  |     |     |     |     |     |
|                                     | 7       | OFF      | ON  | ON  |     |     |     |     |     |
|                                     | 8       | ON       | ON  | ON  |     |     |     |     |     |
| THE NUMBER OF MACHINES TO BE LINKED | 1       |          |     |     | OFF | OFF | OFF |     |     |
|                                     | 2       |          |     |     | ON  | OFF | OFF |     |     |
|                                     | 3       |          |     |     | OFF | ON  | OFF |     |     |
|                                     | 4       |          |     |     | ON  | ON  | OFF |     |     |
|                                     | 5       |          |     |     | OFF | OFF | ON  |     |     |
|                                     | 6       |          |     |     | ON  | OFF | ON  |     |     |
|                                     | 7       |          |     |     | OFF | ON  | ON  |     |     |
|                                     | 8       |          |     |     | ON  | ON  | ON  |     |     |
| CABINET TYPE                        | DLX     |          |     |     |     |     |     | OFF | OFF |
|                                     | COCKPIT |          |     |     |     |     |     | ON  | OFF |
|                                     | UPRIGHT |          |     |     |     |     |     | OFF | ON  |
|                                     | DLX     |          |     |     |     |     |     | ON  | ON  |

IN CASE YOU DON'T LINK THE MACHINES PLEASE ADJUST DIP SWITCH NO. 1 - 6 TO OFF

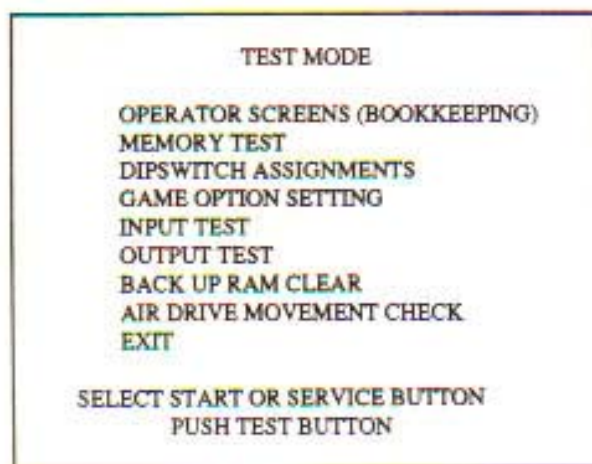


## 12. TEST MODE

This test mainly checks the operation of game PCB's, discovers defects if any, and also checks monitor colors and audio quality. In addition, this test mode includes the item in which game setting changes are made.

### A. SELECTION OF TEST ITEM

1. Push the TEST SW button to display the test menu.



2. Press the SERVICE SW or START SW to move the ">" mark downward. Bring the arrow to the desired test item and push the TEST SW again.
3. To end the test, bring the ">" to EXIT and push the TEST SW.

**B. EXPLANATION OF EACH TEST**

**1. OPERATOR SCREENS (BOOKKEEPING)**

This allows for **BOOKKEEPING** of the number of game plays, game time, etc. Push the **START SW** to proceed to the next page. This page refers to the **BOOKKEEPING** of the number of coins and credits.

| BOOKKEEPING     |   | PAGE 1      |
|-----------------|---|-------------|
| COIN CHUTE 1    | ① | 1238        |
| COIN CHUTE 2    | ② | 10          |
| COIN CREDITS    | ③ | 620         |
| SERVICE CREDITS | ④ | 1916        |
| TOTAL CREDITS   | ⑤ | 2536        |
| TOTAL TIME      | ⑥ | 7D10H06M14S |

- ① Number of coins put in COIN CHUTE 1.
- ② Number of coins put in COIN CHUTE 2.
- ③ Number of credits based on the number of coins put in.
- ④ Credits registered through the use of the SERVICE SW.
- ⑤ Total of ③ and ④.
- ⑥ Total time during which the machine was energized.

This page refers to **BOOKKEEPING** of the number of games, and scores.

| BOOKKEEPING       |   | PAGE 2      |
|-------------------|---|-------------|
| GAME REPORT       |   |             |
| TOTAL GAMES       | ① | 1076        |
| TOP SCORE         | ② | 107295      |
| LOWEST SCORE      | ③ | 5352        |
| AVERAGE SCORE     | ④ | 41483       |
| TOTAL GAME TIME   | ⑤ | 2D10H25M02S |
| LONGEST GAME TIME | ⑥ | 07M24S      |
| AVERAGE GAME TIME | ⑦ | 03M15S      |

- ① Number of games
- ② High score
- ③ Lowest score
- ④ Average score
- ⑤ Total game time out of the period during which the machine was energized.
- ⑥ Longest game time
- ⑦ Average game time

This page indicates BOOKKEEPING of the game time classification/number of games.

| BOOKKEEPING |             | PAGE 3 |
|-------------|-------------|--------|
| ①           | TIME REPORT | ②      |
| - 1.0       | MINUTE      | 5      |
| 1.0 - 1.5   | MINUTE      | 28     |
| 1.5 - 2.0   | MINUTE      | 4      |
| 2.0 - 2.5   | MINUTE      | 3      |
| 2.5 - 3.0   | MINUTE      | 40     |
| 3.0 - 3.5   | MINUTE      | 31     |
| 3.5 - 4.0   | MINUTE      | 2      |
| 4.0 - 4.5   | MINUTE      | 3      |
| 4.5 - 5.0   | MINUTE      | 6      |
| OVER 5.0    | MINUTE      | 8      |

① Time classification

② Number of games

This page shows BOOKKEEPING of the game contents.

| BOOKKEEPING           |   | PAGE 4 |
|-----------------------|---|--------|
| TRANSMISSION          |   | ②      |
| AUTOMATIC SHIFT ①     |   | 851    |
| MANUAL SHIFT ③        |   | 1181   |
| MANUAL SHIFT ④        |   | 56     |
| COURSE LEVEL          |   |        |
| LEVEL 1 ⑤             | ⑥ | 956    |
| LEVEL 2 ⑦             |   | 120    |
| FASTEST PRACTICE TIME |   |        |
| AUTOMATIC SHIFT       | ⑧ | 29" 30 |
| MANUAL SHIFT          | ⑨ | 31" 46 |

① Automatic Shift

② Number of games

③ 4-speed manual shift

④ 7-speed manual shift

⑤ The first race

⑥ Number of games

⑦ The second race

⑧ Preliminary race's best time by using the automatic shift

⑨ Preliminary race's best time by using the manual shift



This page refers to BOOKKEEPING of the Preliminary race's game time classification/number of games.

| BOOKKEEPING            |   | PAGE 5 |
|------------------------|---|--------|
| ① PRACTICE TIME REPORT |   |        |
| - 28 SECONDS           |   | 2      |
| 28 - 29 "              | ② | 4      |
| 29 - 30 "              |   | 33     |
| 30 - 31 "              |   | 22     |
| 31 - 32 "              |   | 40     |
| 32 - 33 "              |   | 50     |
| 33 - 34 "              |   | 6      |
| 34 - 35 "              |   | 8      |
| 35 - 36 "              |   | 9      |
| 36 - 37 "              |   | 10     |
| 37 - 38 "              |   | 13     |
| 38 - 39 "              |   | 11     |
| 39 - 40 "              |   | 22     |
| 40 - 41 "              |   | 5      |
| 41 - 42 "              |   | 7      |
| 42 - 43 "              |   | 13     |
| 43 - 44 "              |   | 13     |
| 44 - 45 "              |   | 45     |
| OVER 45 SECONDS        |   | 45     |

① Time classification

② Number of games

DRIVER'S POINT RANKING

| RANK | D. POINT | GRID | 1ST RACE    | 2ND RACE    | DRIVER | T.M. |
|------|----------|------|-------------|-------------|--------|------|
| 1ST  | 2134     | PP   | 1-3' 12" 47 | 5-3' 28" 00 | OGU    | 7S   |
| 2ND  | 1876     | 2    | 3-3' 20" 54 | -----       | KOM    | 4S   |
| 3RD  |          | 4    |             |             |        | AT   |
| 4TH  |          | 12   |             |             |        |      |
| 5TH  |          |      |             |             |        |      |
| 6TH  |          |      |             |             |        |      |
| 7TH  |          |      |             |             |        |      |
| 8TH  |          |      |             |             |        |      |
| 9TH  |          |      |             |             |        |      |

①      ②      ③      ④      ⑤      ⑥

## 2. MEMORY TEST

Checks the game PCB's MEMORY IC'S AND CUSTOM IC's. "GOOD" means the IC is satisfactory. If any malfunctioning of the IC's exists, "BAD" will be indicated.

| MEMORY TEST    |      |        |      |        |      |
|----------------|------|--------|------|--------|------|
| ROMS TEST      |      |        |      |        |      |
| IC 20          | BAD  | IC 29  | GOOD | IC 58  | GOOD |
| IC 63          | GOOD |        |      |        |      |
| RAMS TEST      |      |        |      |        |      |
| IC 22          | GOOD | IC 23  | GOOD | IC 31  | GOOD |
| IC 32          | GOOD | IC 38  | GOOD | IC 39  | GOOD |
| IC 55          | GOOD | IC 56  | GOOD | IC 60  | GOOD |
| IC 61          | GOOD | IC 125 | GOOD | IC 126 | GOOD |
| IC 132         | GOOD | IC 133 | GOOD | IC 134 | GOOD |
| IC 135         | GOOD | IC 150 | GOOD | IC 151 | GOOD |
| CUSTOM IC TEST |      |        |      |        |      |
| IC 30          | GOOD | IC 41  | GOOD | IC 107 | GOOD |
| IC 108         | GOOD |        |      |        |      |

## 3. DIP SWITCH ASSIGNMENTS

Indicates the status of DIP SWITCHES A and B. For details, refer to the DIP SWITCH page.

| DIPSWITCH ASSIGNMENTS |         |     |          |         |     |     |     |     |
|-----------------------|---------|-----|----------|---------|-----|-----|-----|-----|
| DIP SW A              | 8       | 7   | 6        | 5       | 4   | 3   | 2   | 1   |
|                       | OFF     | OFF | OFF      | OFF     | OFF | OFF | OFF | OFF |
| DIP SW B              | 8       | 7   | 6        | 5       | 4   | 3   | 2   | 1   |
|                       | OFF     | OFF | OFF      | OFF     | OFF | OFF | OFF | OFF |
| COIN MODE             |         |     |          |         |     |     |     |     |
| COIN CHUTE 1          | 2 COINS |     | 1 CREDIT |         |     |     |     |     |
| COIN CHUTE 2          | 2 COINS |     | 1 CREDIT |         |     |     |     |     |
| NETWORK MODE          |         |     |          |         |     |     |     |     |
| TOTAL MACHINES        |         |     |          | 1       |     |     |     |     |
| MACHINE ID NUMBER     |         |     |          | 1       |     |     |     |     |
| CABINET TYPE          |         |     |          | UPRIGHT |     |     |     |     |

#### 4. GAME OPTION SETTING

Performs the setting of the game contents.

- ① **PLAY MODE . . . . . SINGLE PLAY**  
Signifies that the machine functions independently.
- ② **GAME DIFFICULTY**  
The game's overall difficulty level can be set to any one of the following:  
**EASY/NORMAL/HARD/VERY HARD.**
- ③ **QUALIFICATION LIMIT**  
The Preliminary race's qualification time can be set (the time can be set to 40 ~ 55 seconds).
- ④ **IF OVER LIMIT**  
Either **GAME OVER** or **RESTART** from the 16th position can be preset in the case where the player exceeds the Preliminary Qualification time.
- ⑤ **AWARD SUPER LICENSE**  
This is for the purpose of future expansion.
- ⑥ **PLAYER'S PATH CORRECTION**  
The car's steering adjustment can be set to **VERY LIGHT/LIGHT/MEDIUM/STRONG.**
- ⑦ **ADVERTISE SOUND**  
**ON/OFF** of the sound effects emitted during the time in which the game is not played, can be set. However, even if this setting is off, the title music only will continue to play.

| GAME OPTION SETTING      |             |
|--------------------------|-------------|
| PLAY MODE . . . . .      | SINGLE PLAY |
| GAME DIFFICULTY          | NORMAL      |
| QUALIFICATION LIMIT      | 45 SECONDS  |
| IF OVER LIMIT            | 16TH START  |
| AWARD SUPER LICENSE      | YES         |
| PLAYER'S PATH CORRECTION | MEDIUM      |
| ADVERTISE SOUND          | ON          |



### 5. INPUT TEST

Indicates the status of each switch and potentiometer.

| INPUT TEST   |                |
|--------------|----------------|
| TEST ①       |                |
| SERVICE      |                |
| START        |                |
| SHIFT DOWN   | ON ②           |
| SHIFT UP     |                |
| COIN CHUTE 1 |                |
| COIN CHUTE 2 |                |
| ③            |                |
| HANDLE       |                |
| 80 ④ FF      | .....■..... 00 |
| ACCELE       |                |
| 20 00        | .....■..... FF |
| BRAKE        |                |
| 20 00        | .....■..... FF |

- ① SW items
- ② Status (ON/OFF)
- ③ Potentiometer items
- ④ Present value (hexadecimal)

### 6. OUTPUT TEST

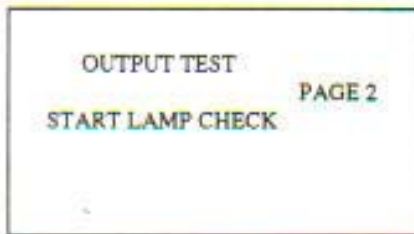
Checks the operation of the START LAMP, monitor adjustments, and audio quality. When this test item is selected, the following will first be displayed on the screen:

- ① RED                      Brightens starting from the left towards the right.
- ② GREEN
- ③ BLUE
- ④ WHITE

To proceed to the next page, press the START SW.

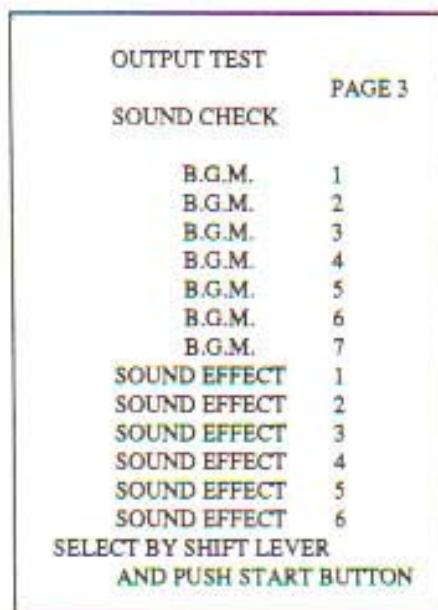
| OUTPUT TEST  |        |
|--------------|--------|
|              | PAGE 1 |
| C.R.T. CHECK |        |
| ①            |        |
| ②            |        |
| ③            |        |
| ④            |        |

In this page, the START SW lamp goes ON and OFF.



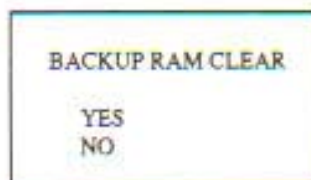
To display the next page, press the START SW.

In this page, the sound check can be performed. By using the SHIFT SW, bring the ">" mark to the desired test item and push the START SW. There are 8 items of B.G.M., 11 SOUND EFFECTs, 22 VOICEs, and 6 SOUND CONTROLs.



## 7. BACKUP RAM CLEAR

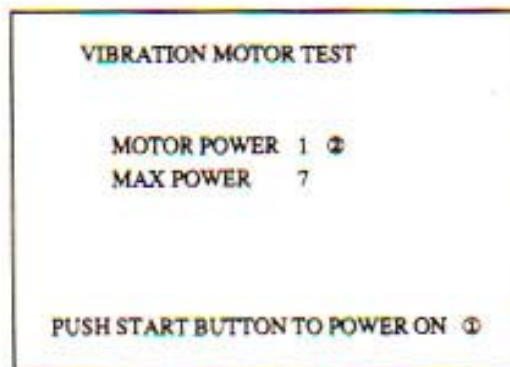
BOOKKEEPING DATA can be cleared by pushing the START SW, bringing ">" to YES (when not clearing, to "NO") and pushing the TEST SW.



## 8. AIR DRIVE MOVEMENT CHECK

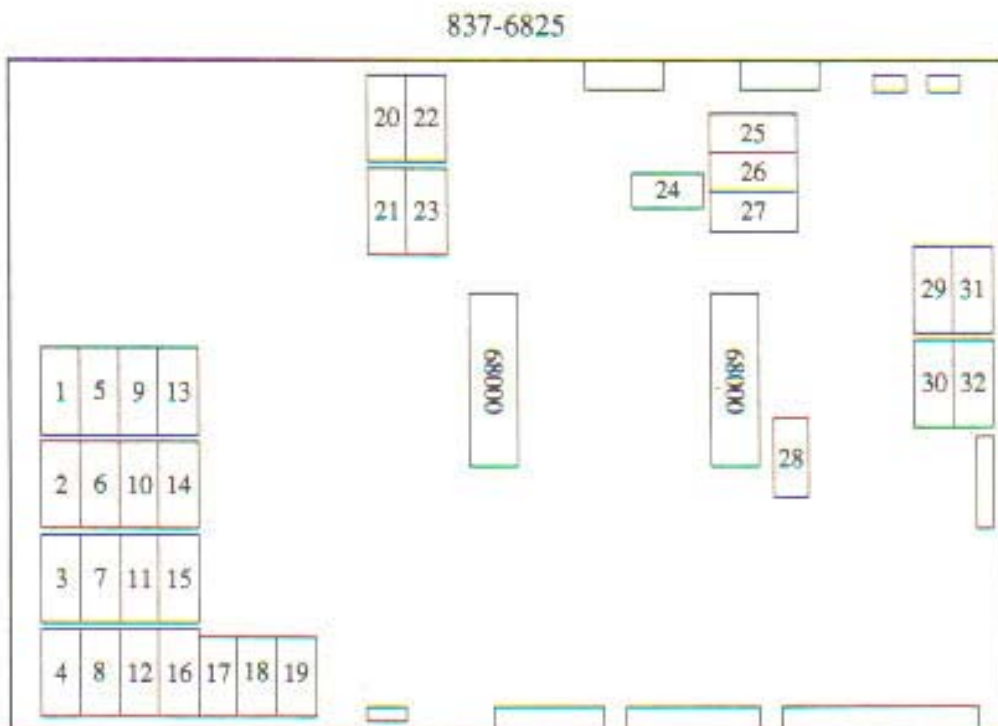
The VIBRATION MOTOR function can be checked.

- ① By pushing the START SW, the MOTOR power can be turned ON and OFF.
- ② By using the SHIFT LEVER, the MOTOR revolutions can be changed to 7 speeds (steps).



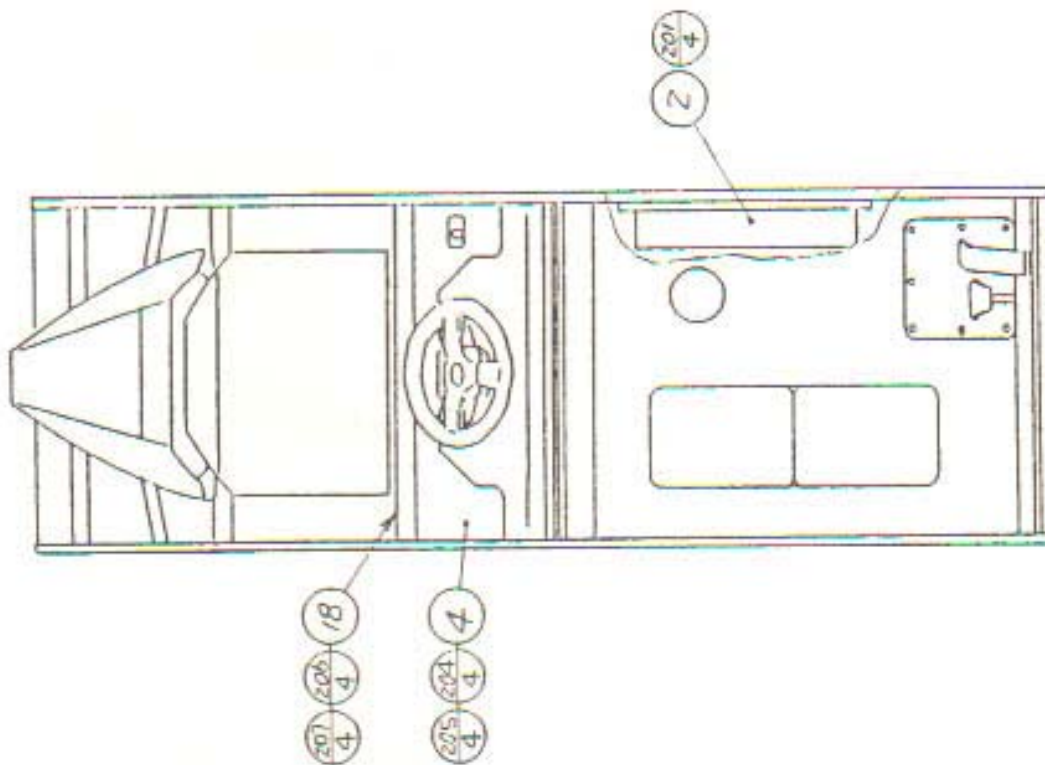
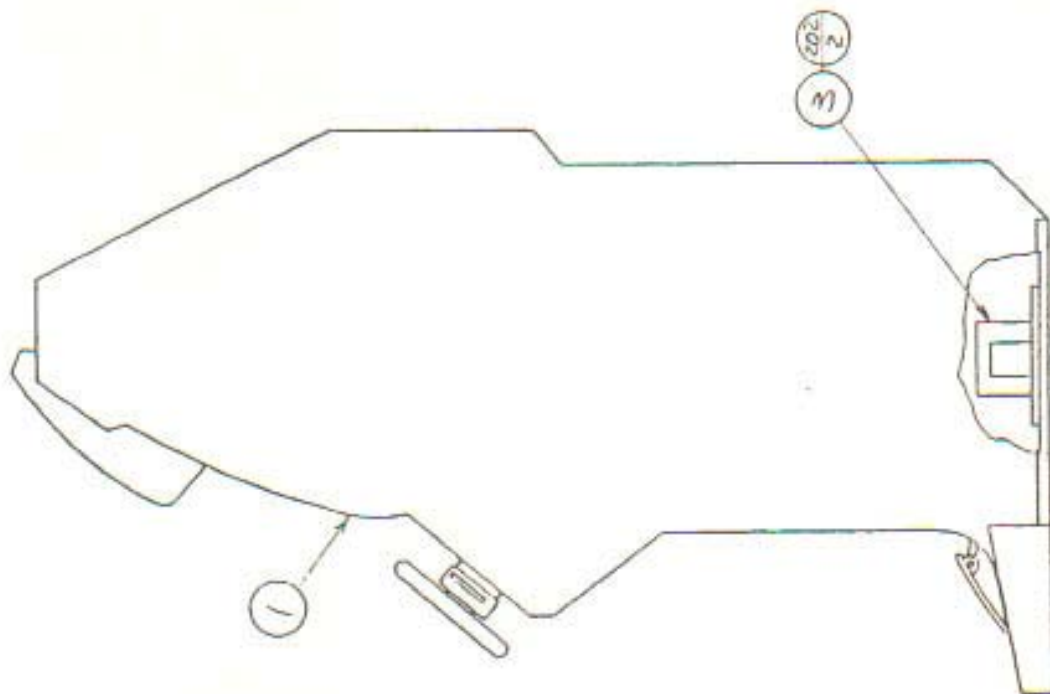


13. ROM LOCATIONS (834-7088-01 GAME BD SUPER MONACO GP U/R)



|    |                         |        | 837-7088-01 | 837-7088-03 |
|----|-------------------------|--------|-------------|-------------|
|    | MAIN WORK               | IC No. | 837-6825    |             |
| 1  | OBJECT<br>(1M-20)       | IC 93  | EPR-12413   | "           |
| 2  |                         | IC 97  | EPR-12414   | "           |
| 3  |                         | IC 101 | EPR-12415   | "           |
| 4  |                         | IC 105 | EPR-12416   | "           |
| 5  |                         | IC 92  | EPR-12417   | "           |
| 6  |                         | IC 96  | EPR-12418   | "           |
| 7  |                         | IC 100 | EPR-12419   | "           |
| 8  |                         | IC 104 | EPR-12420   | "           |
| 9  |                         | IC 91  | EPR-12421   | "           |
| 10 |                         | IC 95  | EPR-12422   | "           |
| 11 |                         | IC 99  | EPR-12423   | "           |
| 12 |                         | IC 103 | EPR-12424   | "           |
| 13 |                         | IC 90  | EPR-12425   | "           |
| 14 |                         | IC 94  | EPR-12426   | "           |
| 15 |                         | IC 98  | EPR-12427   | "           |
| 16 |                         | IC 102 | EPR-12428   | "           |
| 17 | FIX<br>(512K-20)        | IC 154 | EPR-12429   | "           |
| 18 |                         | IC 153 | EPR-12430   | "           |
| 19 |                         | IC 152 | EPR-12431   | "           |
| 20 | MAIN PROGRAM<br>(1M-20) | IC 58  | EPR-12561A  | EPR-12563   |
| 21 |                         | IC 63  | EPR-12562A  | EPR-12564   |
| 22 |                         | IC 57  | NOT USE     | "           |
| 23 |                         | IC 62  | NOT USE     | "           |
| 24 | SOUND PROGRAM (512K)    | IC 17  | EPR-12436   | "           |
| 25 | SOUND DATA<br>(1M-25)   | IC 11  | EPR-12437   | "           |
| 26 |                         | IC 12  | EPR-12438   | "           |
| 27 |                         | IC 13  | EPR-12439   | "           |
| 28 | ROAD                    | IC 40  | NOT USE     | "           |
| 29 | SUB PROGRAM<br>(1M-20)  | IC 21  | NOT USE     | "           |
| 30 |                         | IC 30  | NOT USE     | "           |
| 31 |                         | IC 20  | EPR-12574A  | EPR-12576   |
| 32 |                         | IC 29  | EPR-12575A  | EPR-12577   |
|    |                         |        |             |             |

TOP ASSY MONACO GP U/R USA (SLC-00002)

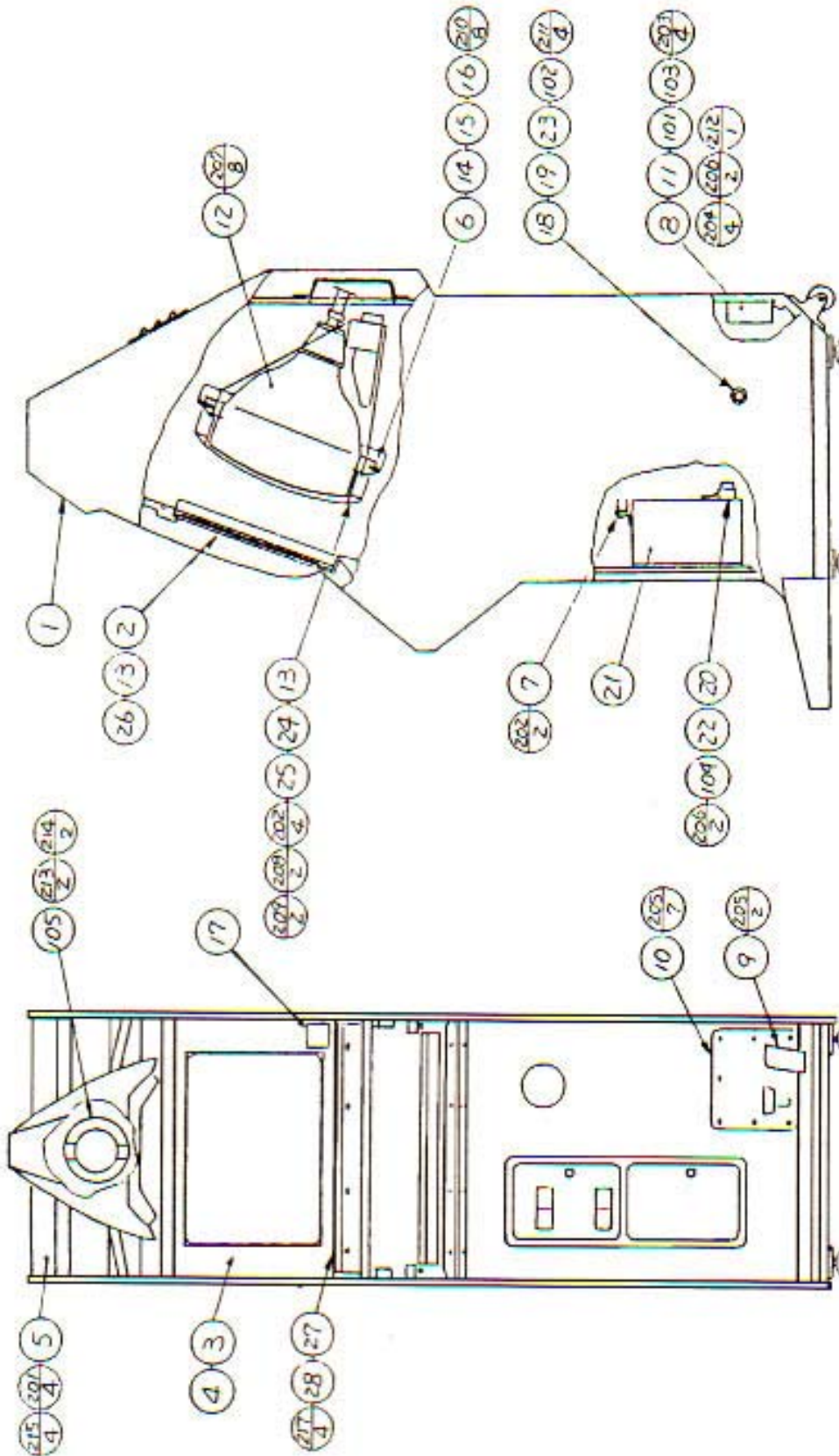




**TOP ASSY SUPER MONACO GP U/R USA (SLC-00002)**

| <u>ITEM NO.</u> | <u>PART NO.</u> | <u>DESCRIPTION</u>                    |
|-----------------|-----------------|---------------------------------------|
| 1               | SLC-10002       | ASSY CABINET U/R USA                  |
| 2               | SLC-0025        | GAME BD UNIT U/R                      |
| 3               | SLC-40002       | ASSY PWR SPLY                         |
| 4               | SLC-11002       | ASSY CONTROL PANEL                    |
| 5               | 420-5905-03     | OWNERS MANUAL SUPER MONACO GP U/R ENG |
| 6               | 421-5800-102X   | ORIGINAL SEAL SUPER MONACO GP         |
| 7               | 421-6120        | STICKER SEGA USA                      |
| 8               | 421-6709        | STICKER SERVICE INSTR ENG             |
| 9               | SGB-1035X       | KEY BAG                               |
| 10              | 421-6594        | STICKER SERIAL NO INFO                |
| 11              | 421-6671        | STICKER DANGER HIGH VOLTAGE           |
| 12              | 117-5123        | NAME PLATE ELEC SPEC USA              |
| 13              | 421-6642-91     | ADJUST INSTR SH COLOR DISPLAY         |
| 14              | 421-7449        | ADJUST INSTR SHEET SUPER MONACO GP    |
| 15              | 421-6119-91     | STICKER FCC                           |
| 16              | SGM-2675        | POLYETHYLENE BAG                      |
| 17              | SGM-3640        | POLYETHYLENE COVER                    |
| 18              | SLC-0023        | GLASS HOLDER                          |
| 19              | 540-0006-01     | WRENCH FOR TAMP PRF SCR DUAL TYPE M4  |
| 20              | 540-0007-01     | WRENCH FOR TAMP PRF SCR DUAL TYPE M5  |
| 21              | 540-0015-01     | WRENCH FOR TAMP PRF SCR DUAL TYPE M6  |
| 201             | 000-0408-FS     | M SCR PH W/FS M4X8                    |
| 202             | 000-0430-FS     | M SCR PH W/FS M4X30                   |
| 203             | 046-0001        | SCR NAIL THH STNLS 1.5X16             |
| 204             | 030-0625        | HEX BOLT M6x25                        |
| 205             | 060-0006        | FLT WSHR M6                           |
| 206             | 029-0084        | TMP PRF SCR BH                        |
| 207             | 069-0028        | FLT WSHR BLK 6.2—15X1.2               |

ASSY CABINET U/R USA (SLC-10002)



## ASSY CABINET U/R USA (SLC-10002)

| <u>ITEM NO.</u> | <u>PART NO.</u> | <u>DESCRIPTION</u>               |
|-----------------|-----------------|----------------------------------|
| 1               | SLC-1600        | ASSY SUB CABI U/R USA            |
| 2               | SLC-1607        | LENS BOARD                       |
| 3               | SLC-1608        | WINDOW GLASS                     |
| 4               | SLC-1609        | MASK                             |
| 5               | SLC-1610        | NOSE COVER                       |
| 6               | POW-1619        | SPACER                           |
| 7               | SOR-1302        | SW UNIT                          |
| 8               | POW-1621        | AC CORD STOCKER                  |
| 9               | POW-1623        | ASSY ACCEL PEDAL                 |
| 10              | POW-2600        | ASSY ACCEL & BRAKE               |
| 11              | YZ-1040         | COVER PLATE                      |
| 12              | 200-5095        | ASSY CLR DISPL 19 TYPE           |
| 13              | SLC-1092        | TV MASK 20                       |
| 14              | AB-0023         | BRACKET TV                       |
| 15              | 280-5112        | BUSH FOR TV                      |
| 16              | 280-5113        | COLLAR FOR TV                    |
| 17              | 421-7308-02     | DENOMINATION SHEET 1 GAME 2x25c  |
| 18              | 105-0064        | BRACKET MAIN SW                  |
| 19              | 509-0049        | SW STOPPER                       |
| 20              | RA-1016         | METER BRACKET                    |
| 21              | KR-1607X        | CASH BOX                         |
| 22              | 421-6591-01     | STICKER COIN METER               |
| 23              | 421-6672        | STICKER MAIN SW PUSH ON PUSH OFF |
| 24              | SLC-1081        | MASK HOLDER BRACKET A            |
| 25              | SLC-1084        | MASK HOLDER BRACKET              |
| 26              | SLC-1068        | FRESNEL LENS                     |
| 27              | SLC-1603        | HOLDER BRACKET                   |



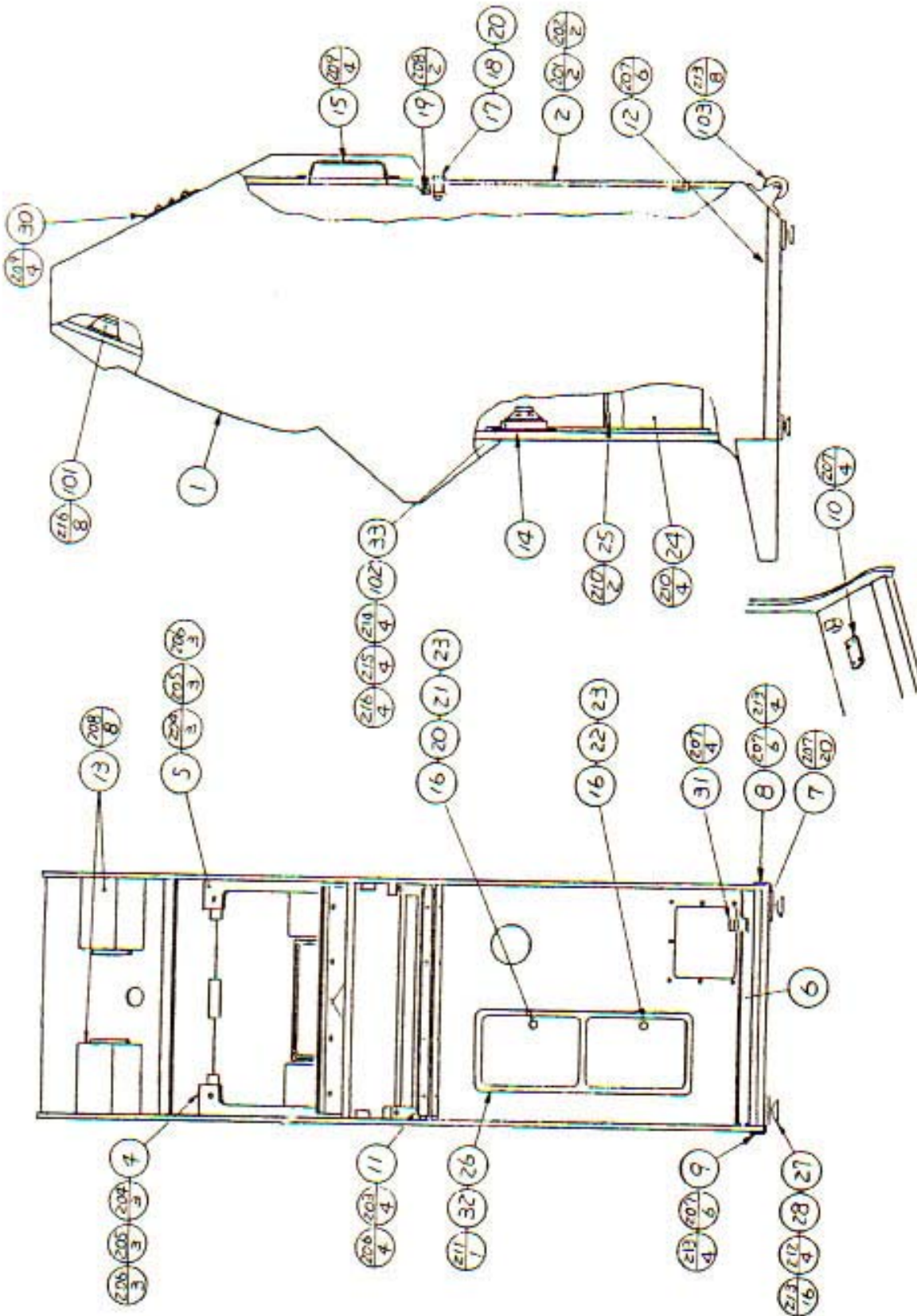
**ASSY CABINET U/R USA (SLC-10002) CONTINUED ...**

| <u>ITEM NO.</u> | <u>PART NO.</u> | <u>DESCRIPTION</u>        |
|-----------------|-----------------|---------------------------|
| 28              | YZ- 1042        | SPACER                    |
| 101             | 600-0110        | CABLE & PLUG ASSY W/EARTH |
| 102             | 509-0039        | SW PB TYPE                |
| 103             | 280-0418        | BUSHING STRAIN RELIEF 8.3 |
| 104             | 220-5064        | MAG CNTR 6 DIG DC 5V      |
| 105             | 390-5273        | ASSY FLUOR. LIGHT 20W     |
| 201             | 008-0425        | TMP PRF SCR TH M4x25      |
| 202             | 000-0408-FS     | M SCR PH W/FS M4X8        |
| 203             | 031-0425-B      | CRG BLT BLK M4X25         |
| 204             | 051-0004        | FLG NUT M4                |
| 205             | 008-0520        | TMP PRF SCR TH M5x20      |
| 206             | 010-0408-F      | S-TITE SCREW W/F M4X8     |
| 207             | 000-0525-S      | M SCR PH W/S M5X25        |
| 208             | 029-0047        | M SCR PH BLK M4X10        |
| 209             | 069-0024        | FLT WSHR BLK M4           |
| 210             | 000-0508-S      | M SCR PH W/S M5X8         |
| 211             | 005-3113-F      | W SCR RH WF 3.1X13        |
| 212             | 000-0416-FS     | M SCR PH W/FS M4x16       |
| 213             | 005-3520        | W SCR RH 3.5x20           |
| 214             | 060-0004        | FLT WSHR M4               |
| 216             | 008-0416        | TMP PRF SCR TH M4X16      |
| 217             | 030-0625        | HEX BLT M6X25             |
| 301             | 600-5832-1      | CONN JST 11P              |
| 302             | 600-5832-2      | CONN 1/0                  |
| 303             | 600-5832-6      | CONN JST 5P & AMP 2P, 3P  |
| 307             | 280-5126        | CORD CLAMP 25             |
| 308             | 280-5009        | CORD CLAMP 21             |

## ASSY CABINET U/R USA (SLC-10002) CONTINUED ...

| <u>ITEM NO.</u> | <u>PART NO.</u> | <u>DESCRIPTION</u>    |
|-----------------|-----------------|-----------------------|
| 309             | 280-5008        | CORD CLAMP 15         |
| 310             | 280-0425        | CORD CLAMP 10         |
| 311             | 280-0419        | HARNESS LUG           |
| 314             | SGB-3957-2      | WIRE HARN AC UNIT     |
| 315             | SGB-3957-3      | WIRE HARN VOL. EXT.   |
| 316             | SGB-3957-4      | WIRE HARN 12V EXT.    |
| 317             | SGB-3957-5      | WIRE HARN MOTOR EXT   |
| 318             | SGB-3957-7      | WIRE HARN BASS SP     |
| 319             | SGB-3957-8      | WIRE HARN FRONT SP    |
| 320             | SGB-3957-9      | WIRE HARN AC EXT      |
| 320             | 601-0460        | PLASTIC TIE BELT 85MM |
| 321             | SGB-3957-11     | WIRE HARN FL          |
| 322             | SGB-3957-14     | WIRE HARN COIN METER  |
| 323             | SGB-3957-15     | WIRE HARN COIN SW     |
| 324             | SGB-3957-16     | WIRE HARN EARTH EXT   |
| 325             | SGB-3957-17     | WIRE HARN EARTH       |

ASSY SUB CABI U/R USA (SLC-1600)





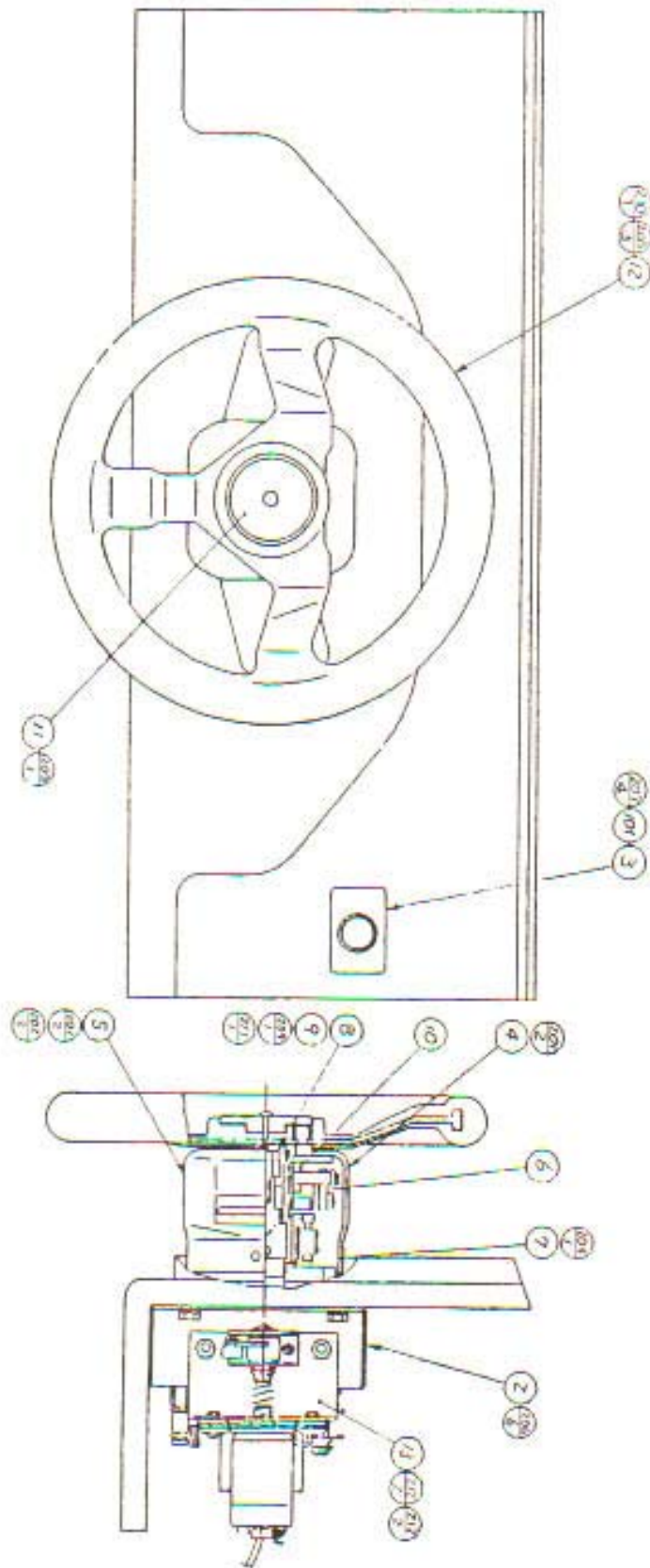
**ASSY SUB CABI U/R USA (SLC-1600)**

| <u>ITEM NO.</u> | <u>PART NO.</u> | <u>DESCRIPTION</u>           |
|-----------------|-----------------|------------------------------|
| 1               | SLC-1601        | WOODEN CABINET               |
| 2               | SLC-1602        | BACK DOOR                    |
| 4               | POW-1604        | TV MOUNTING BRACKET          |
| 5               | POW-1605        | TV MOUNTING BRACKET RIGHT    |
| 6               | POW-1606        | FLOOR MAT                    |
| 7               | KR-1602X        | SUPPORT BRACKET              |
| 8               | KR-1609         | BRACKET UNDER RIGHT          |
| 9               | KR-1610         | BRACKET UNDER LEFT           |
| 10              | KR-1611         | PLATE                        |
| 11              | POW-1607        | HINGE 596                    |
| 12              | SLC-1604        | SUPPORT BRACKET SIDE         |
| 13              | SLC-1605        | SPEAKER NET                  |
| 14              | SLC-1606        | DUCT LID                     |
| 15              | M0-1053         | COVER                        |
| 16              | DP-1167         | TNG LKG                      |
| 17              | DP-1148X        | LKG TNG                      |
| 18              | 117-0062        | PLATE LOCK RETAINER          |
| 19              | 117-5098        | TNG RETAINER PLATE           |
| 20              | 220-5253        | MAGNETIC LOCK MASTER W/O KEY |
| 21              | 220-5254        | KEY MASTER FOR 20-5253       |
| 22              | 220-5046-91     | MAGNETIC LOCK W/KEYS         |
| 23              | HN-1050         | SPACER RING                  |
| 24              | KR-1606Y        | COVER CASH BOX               |
| 25              | KR-1608         | LOCK BRACKET                 |
| 26              | 109-0045        | KEY HOLDER                   |
| 27              | 601-0455        | LEG ADJUSTER                 |
| 28              | TI-1079         | LEG ADJUSTER BRACKET         |

ASSY SUB CABI USA (SLC-1600) CONTINUED ...

| <u>ITEM NO.</u> | <u>PART NO.</u> | <u>DESCRIPTION</u>             |
|-----------------|-----------------|--------------------------------|
| 30              | UP-1018         | AIR VENT                       |
| 31              | POW-1610        | RUBBER SPACER                  |
| 32              | 220-5128-01     | ASSY COIN CHUTE 2 DOOR 25¢     |
| 33              | SLC-1612        | SPEAKER HOLDER                 |
| 101             | 130-5041        | SPEAKER 8 OHM 15W 10cm W/C MAG |
| 102             | 130-5047        | WOOFER 6 OHM 15W 10CM          |
| 103             | 601-6151-01     | CASTER                         |
| 201             | 000-0550        | M SCR PH M5x50                 |
| 202             | 060-0005        | FLT WSHR M5                    |
| 203             | 030-0625        | HEX BOLT M6x25                 |
| 204             | 031-0630-B      | CRG BLT BLK M6x30              |
| 205             | 050-0006        | HEX NUT M6                     |
| 206             | 060-0006        | FLT WSHR M6                    |
| 207             | 046-0001        | SCR NAIL THH STNLS 1.5x16      |
| 208             | 005-3113-F      | W SCR RH W/F 3.1x13            |
| 209             | 008-0416        | TMP PRF SCR TH M4x16           |
| 210             | 000-0408-FS     | M SCR PH W/FS M4x8             |
| 211             | 000-0306-F      | M SCR PH W/F M3x6              |
| 212             | 059-0007        | HEX NUT 3/8-16                 |
| 213             | 030-0525-FS     | HEX BOLT W/FS M5x25            |
| 214             | 005-3530        | W SCR PH 3.5x30                |
| 215             | 060-0004        | FLT WSHR M4                    |
| 216             | 000-0416-FS     | M SCR PH W/FS M4x16            |

ASSY CONTROL PANEL (SLC-1200)





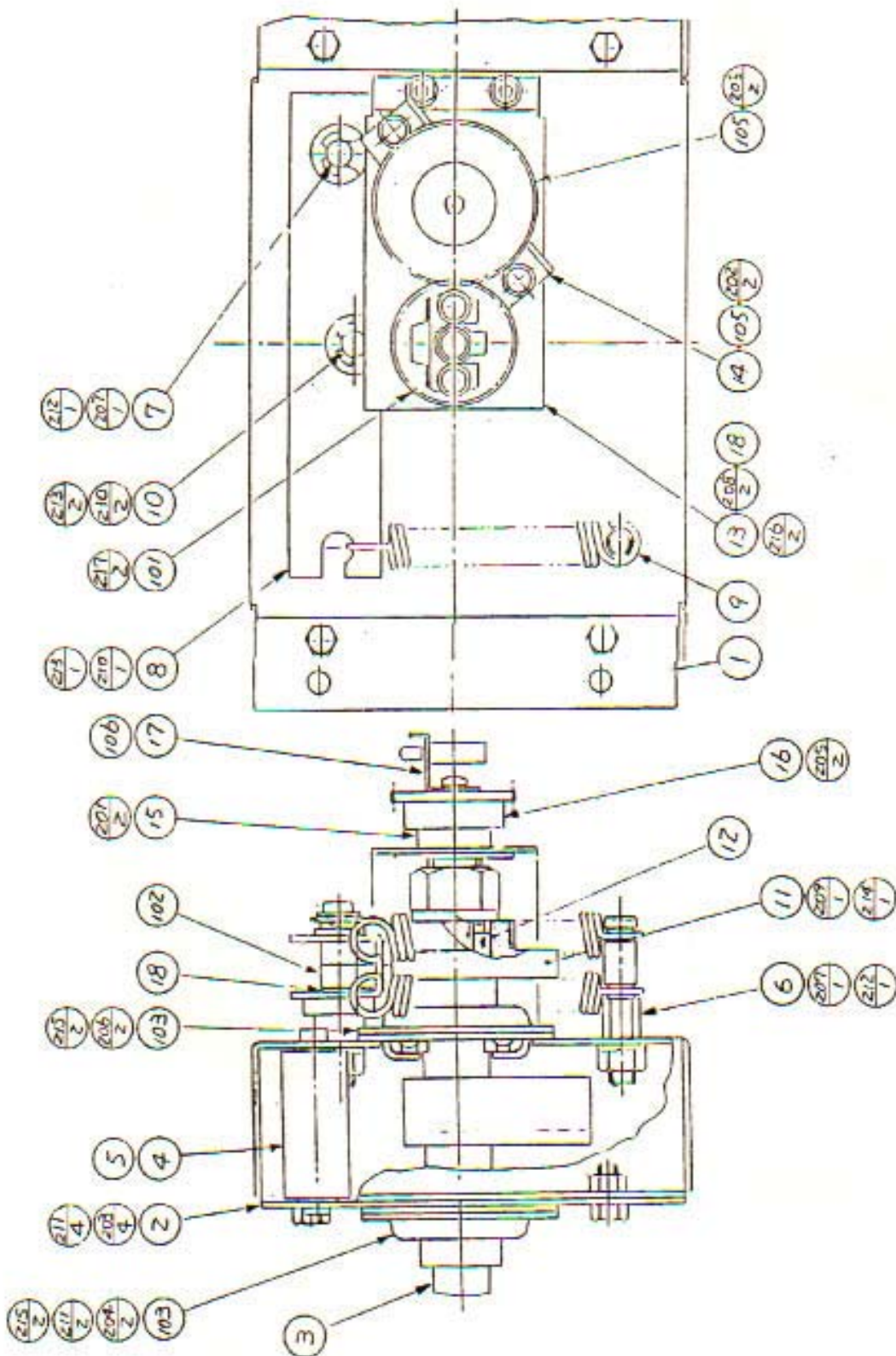
**ASSY CONTROL PANEL (SLC-11002)**

| <u>ITEM NO.</u> | <u>PART NO.</u> | <u>DESCRIPTION</u>           |
|-----------------|-----------------|------------------------------|
| 1               | SLC-1129        | CONTROL PANEL BASE           |
| 2               | SLC-1116        | HANDLE UNIT                  |
| 3               | SLC-1136        | SW PLATE                     |
| 4               | SLC-1132        | SHIFT COVER UPPER            |
| 5               | SLC-1133        | SHIFT COVER LOWER            |
| 6               | SLC-1350        | ASSY BUTTERFLY SHIFT         |
| 7               | SLC-1131        | COLLAR                       |
| 8               | SLC-1033        | MOUNT SCREW                  |
| 9               | SLC-1034        | EXTENDER 10                  |
| 10              | POW-2008        | KEY                          |
| 11              | POW-2061        | EMBLEM PLATE                 |
| 12              | KR-1121Y        | STEERING HANDLE 270          |
| 13              | SLC-5100        | ASSY VIBRATION               |
| 101             | 509-5218        | PUSH BTN SW 1T YELLOW W/LAMP |
| 201             | 029-0226        | M SCR FH BLK M4X8            |
| 202             | 008-0408        | TMP PRF SCR TH M4X8          |
| 203             | 008-0425        | TMP PRF SCR TH M4x25         |
| 204             | 028-0014        | SET SCR HEX SKT CP UNBR M4X4 |
| 205             | 029-0259        | HEX SKT H CAP SCR M6X14      |
| 206             | 030-0620        | HEX BLT M6X20                |
| 207             | 051-0004        | FLG NUT M4                   |
| 209             | 060-0008        | FLT WSHR M8                  |
| 210             | 061-0006        | SPR WSHR M6                  |
| 211             | 061-0008        | SPR WSHR M8                  |
| 212             | 050-0004        | HEX NUT M4                   |
| 213             | 054-0004        | U NUT M4                     |
| 301             | SGB-3957-13     | WIRE HARN START SW           |

## ASSY CONTROL PANEL (SLC-11002) CONTINUED ...

| <u>ITEM NO.</u> | <u>PART NO.</u> | <u>DESCRIPTION</u> |
|-----------------|-----------------|--------------------|
| 302             | 280-5009        | CORD CLAMP 21      |
| 303             | 280-0419        | HARNESS LUG        |

HANDLE UNIT (SLC-1116)





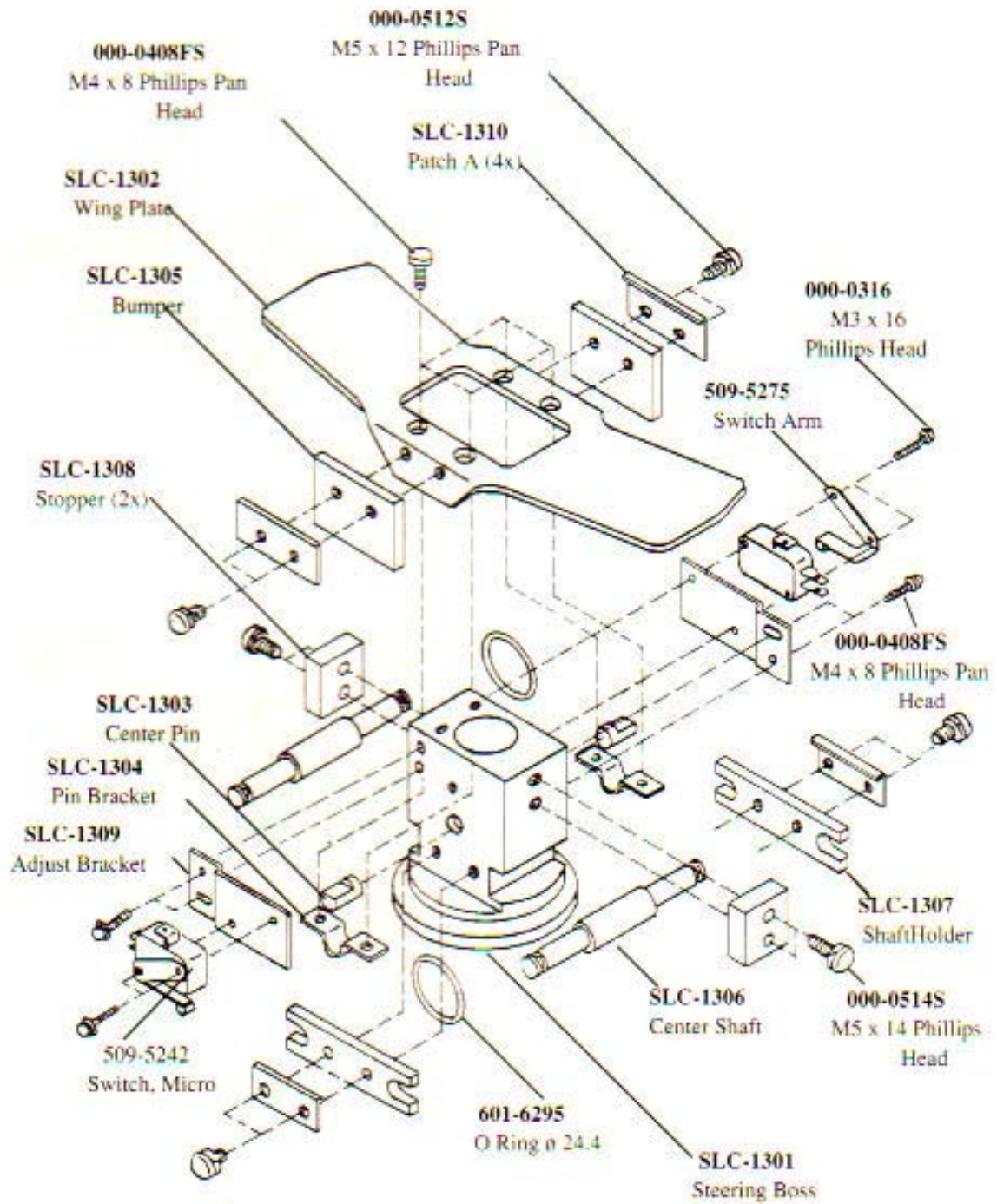
**HANDLE UNIT (SLC-1116)**

| <u>ITEM NO.</u> | <u>PART NO.</u> | <u>DESCRIPTION</u>      |
|-----------------|-----------------|-------------------------|
| 1               | SLC-1117        | HANDLE BASE             |
| 2               | SLC-1118        | LID HANDLE BASE         |
| 3               | SLC-1135        | STEERING SHAFT          |
| 4               | SLC-1120        | STOPPER RUBBER          |
| 5               | SLC-1121        | STOPPER SHAFT           |
| 6               | SLC-1122        | HOOK SPRING             |
| 7               | SLC-1123        | SWING ARM SHAFT         |
| 8               | SLC-1124        | SWING ARM               |
| 9               | SLC-1125        | EXT SPRING              |
| 10              | SOR-2112        | BEARING SHAFT           |
| 11              | SOR-2114        | CAM                     |
| 12              | SOR-2115        | KEY 5x10                |
| 13              | SLC-1126        | VR BASE                 |
| 14              | SLC-1127        | VR BRACKET              |
| 15              | SLC-1128        | GUIDE RING              |
| 16              | SLC-1130        | ADJUST RING             |
| 17              | SLC-1108        | WIRE HOLDER             |
| 18              | SOR-2113        | SPACER                  |
| 101             | 601-6172        | GEAR 48                 |
| 102             | 100-5018        | BALL BEARING 8          |
| 103             | 100-5096        | BEARING 17              |
| 104             | 220-5130        | VOL CONT B-5 K OHM      |
| 105             | 601-6313        | GEAR 64 B               |
| 106             | 280-5123-1S     | LOCKING ADJUST CLAMP 1S |
| 107             | 601-6329        | RUBBER GROMMET          |
| 201             | 000-0406-S      | M SCR PH W/S M4X6       |
| 202             | 000-0406-FS     | M SCR PH W/FS M4X6      |

**ASSY HANDLE UNIT (SLC-1116) CONTINUED ...**

| <u>ITEM NO.</u> | <u>PART NO.</u> | <u>DESCRIPTION</u>           |
|-----------------|-----------------|------------------------------|
| 203             | 030-0612        | HEX BLT M6X12                |
| 204             | 039-0005        | HEX BLT M6X16                |
| 205             | 028-0019        | SET SCR HEX SKT CP UNBR M4X8 |
| 206             | 050-0006        | HEX NUT M6                   |
| 207             | 050-0008        | HEX NUT M8                   |
| 208             | 054-0004        | U NUT M4                     |
| 209             | 059-0022        | HEX NUT M16                  |
| 210             | 060-0008        | FLT WSHR M8                  |
| 211             | 061-0006        | SPR WSHR M6                  |
| 212             | 061-0008        | SPR WSHR M8                  |
| 213             | 065-0007        | E RING 7mm                   |
| 214             | 069-0060        | SPR WSHR M16                 |
| 215             | 060-0006        | FLT WSHR M6                  |

**ASSY BUTTERFLY SHIFT (SLC-1350)**

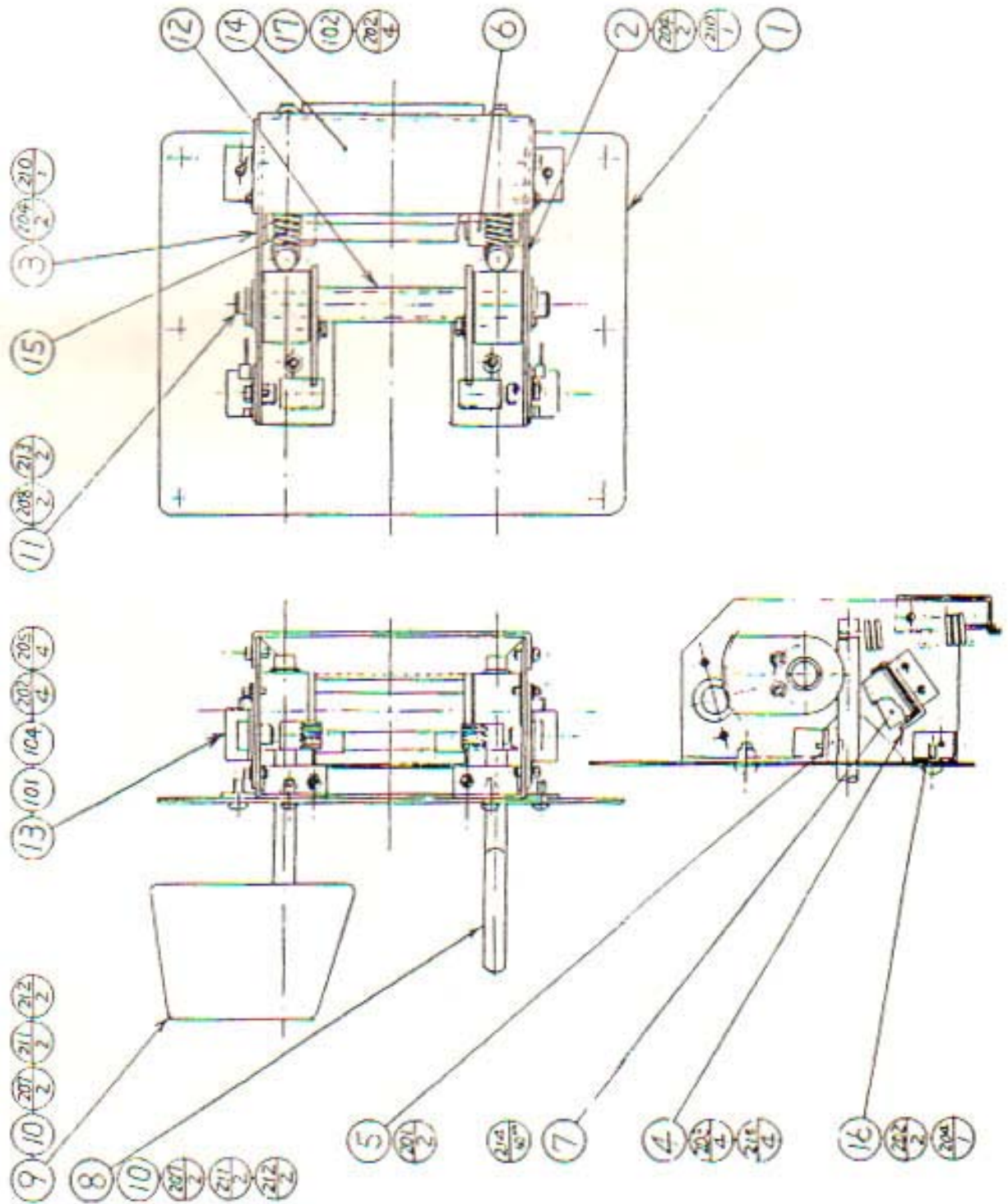




**ASSY BUTTERFLY SHIFT (SLC-1350)**

| <u>ITEM NO.</u> | <u>PART NO.</u> | <u>DESCRIPTION</u>   |
|-----------------|-----------------|----------------------|
| 1               | SLC-1301        | STEERING BOSS        |
| 2               | SLC-1302        | WING PLATE           |
| 3               | SLC-1303        | CENTER PIN           |
| 4               | SLC-1304        | PIN BRACKET          |
| 5               | SLC-1305        | BUMPER               |
| 6               | SLC-1306        | CENTER SHAFT         |
| 7               | SLC-1307        | SHAFT HOLDER         |
| 8               | SLC-1308        | STOPPER              |
| 9               | SLC-1309        | ADJUST BRACKET       |
| 10              | SLC-1310        | PATCH A              |
| 101             | 509-5242        | SW MICRO TYPE        |
| 102             | 509-5275        | SW ACTUATOR          |
| 103             | 601-6295        | O RING 24.4          |
| 104             | 280-5124-03     | NYLON CLAMP NK03     |
| 201             | 000-0316        | M SCR PH W/S M3x16   |
| 202             | 000-0408-FS     | M SCR PH W/FS M4X8   |
| 203             | 000-0512-S      | M SCR PH W/S M5x12   |
| 204             | 000-0514-S      | M SCR PH W/S M5X14   |
| 205             | 000-0312-FS     | M SCR PH W/FS M3X12  |
| 301             | 600-5819-25     | WIRE HARN SHIFT SW B |

ASSY ACCEL & BRAKE (POW-2600)



**ASSY ACCEL & BRAKE (POW-2600)**

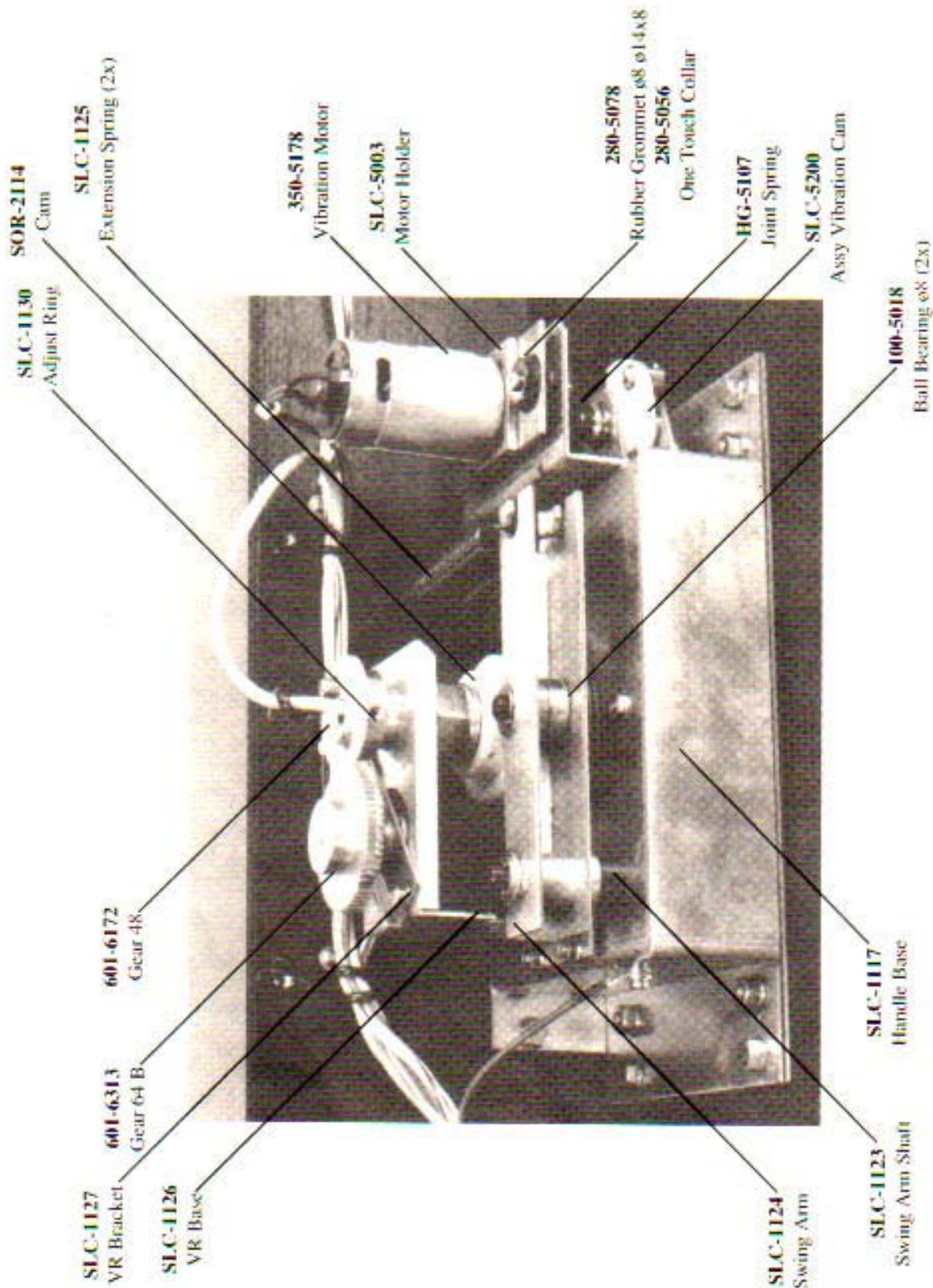
| <u>ITEM NO.</u> | <u>PART NO.</u> | <u>DESCRIPTION</u>          |
|-----------------|-----------------|-----------------------------|
| 1               | POW-2601        | LID, FRONT PLATE            |
| 2               | POW-2602        | ACCEL BRACKET               |
| 3               | POW-2603        | BRAKE BRACKET               |
| 4               | POW-2604        | STOPPER BRACKET             |
| 5               | POW-2605        | STOPPER A                   |
| 6               | POW-2606        | STOPPER B                   |
| 7               | POW-2607        | STOPPER C                   |
| 8               | POW-2608        | ACCEL BAR                   |
| 9               | POW-2609        | BRAKE PEDAL                 |
| 10              | POW-2610X       | ADJUST GEAR                 |
| 11              | POW-2611        | CENTER SHAFT                |
| 12              | POW- 2612       | COLLAR                      |
| 13              | POW-2613        | VR PLATE                    |
| 14              | POW-2614        | SPRING BRACKET              |
| 15              | POW-2615        | EXTENSION SPRING            |
| 16              | POW-2616        | COVER BRACKET               |
| 17              | 600-5741-08     | WIRE HARN ACCEL EARTH       |
| 101             | 220-5130        | VOL CONT B-5 K OHM          |
| 102             | 280-0419        | HARNES LUG                  |
| 103             | 601-0460        | TIE BELT                    |
| 104             | 601-5410        | GEAR 15, 6                  |
| 201             | 000-0314-F      | M SCR PH W/F M3X14          |
| 202             | 000-0408-FS     | M SCR PH W/FS M4X8          |
| 203             | 000-0510        | M SCR PH M5X10              |
| 204             | 029-0152        | TMP PRF SCR TH CHROME M5x12 |
| 205             | 028-0002        | SET SCR PH SPCL M3x6        |
| 207             | 030-0410        | HEX BLT M4x10               |



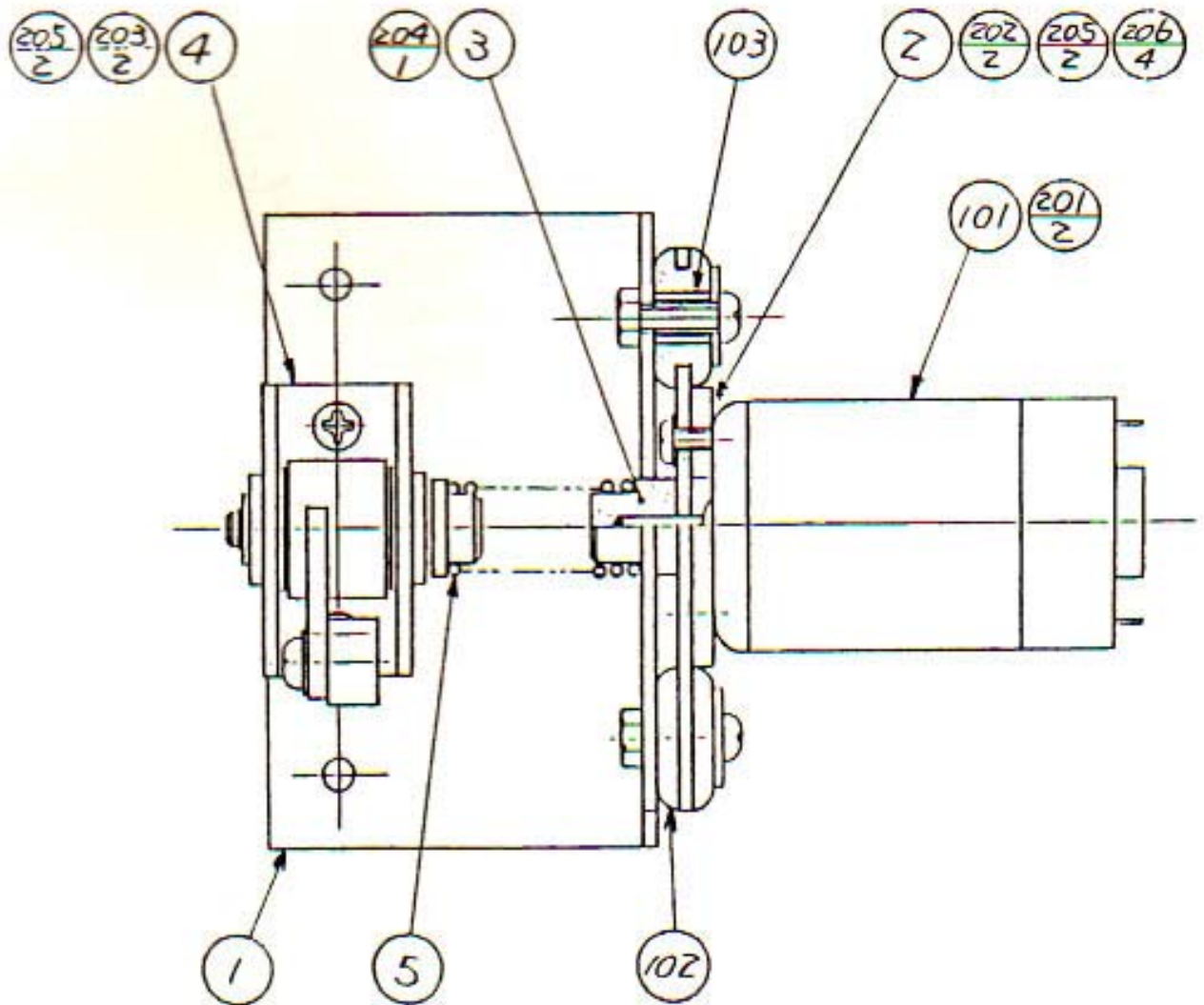
**ASSY ACEL & BRAKE (POW-2600) CONTINUED ...**

| <u>ITEM NO.</u> | <u>PART NO.</u> | <u>DESCRIPTION</u>   |
|-----------------|-----------------|----------------------|
| 208             | 045-0007        | COT PIN 3x30         |
| 210             | 054-0005        | COT PIN M5           |
| 211             | 060-0004        | FLT WSHR M4          |
| 212             | 061-0004        | SPR WSHR M4          |
| 213             | 069-0020        | FLT WSHR M12         |
| 216             | 061-0005        | SPR WSHR M5          |
| 301             | SGB-3909-05     | WIRE HARN ACCEL UNIT |

### STEERING ASSY CONTROL



ASSY VIBRATION (SLC-5100)

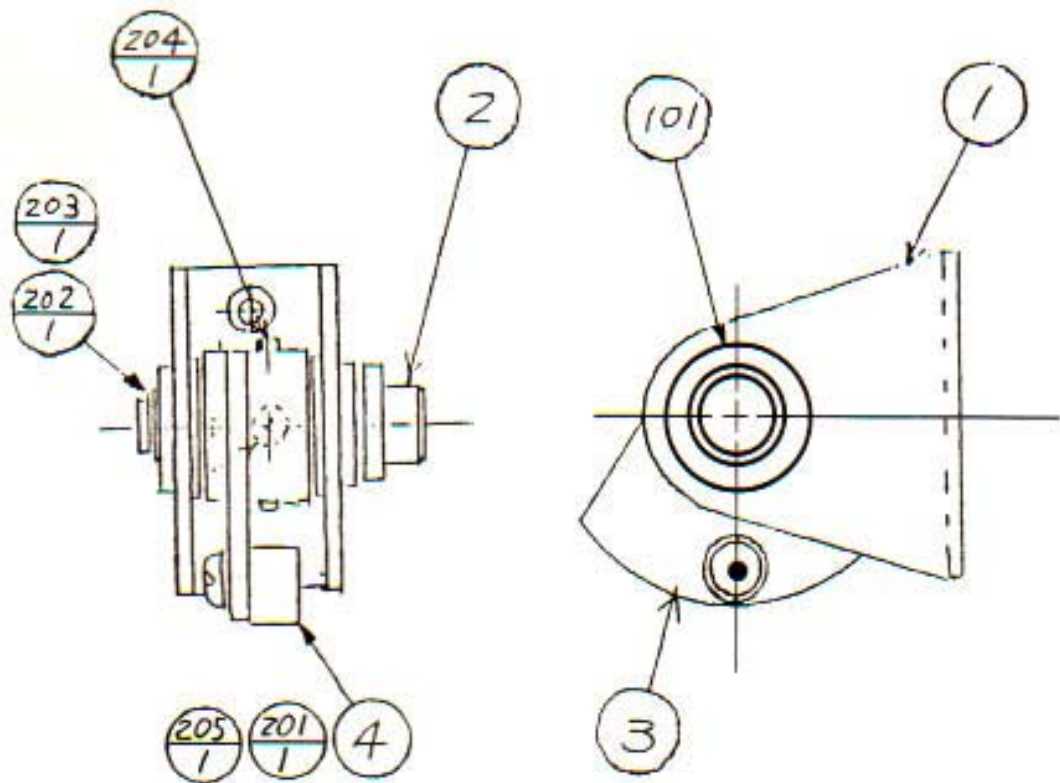




**ASSY VIBRATION (SLC-5100)**

| <u>ITEM NO.</u> | <u>PART NO.</u> | <u>DESCRIPTION</u>           |
|-----------------|-----------------|------------------------------|
| 1               | SLC-5001        | MOUNT BRACKET                |
| 2               | SLC-5003        | MOTOR HOLDER U/R             |
| 3               | SLC-5004        | BOSS                         |
| 4               | SLC-5200        | ASSY VIBRATION CAM           |
| 5               | HG-5107         | JOINT SPRING                 |
| 101             | 350-5187        | MOTOR DC24V                  |
| 102             | 280-5078        | RUBBER GROMMET 8x14x8        |
| 103             | 280-5056        | ONE TOUCH COLLAR L=7.5       |
| 201             | 000-0308-S      | M SCR PH W/S M3x8            |
| 202             | 000-0420-S      | M SCR PH W/S M4x20           |
| 203             | 000-0410        | M SCR FH M4x10               |
| 204             | 028-0001        | SET SCR HEX SKT CP UNBR M3x4 |
| 205             | 054-0004        | U-NUT M4                     |
| 206             | 069-0007        | FLT WSHR 4.4-16x1.6          |
| 301             | SGB-3957-6      | WIRE HARN MOTOR              |

ASSY VIBRATION CAM (SLC-5200)



**ASSY VIBRATION CAM (SLC-5200)**

| <u>ITEM NO.</u> | <u>PART NO.</u> | <u>DESCRIPTION</u>           |
|-----------------|-----------------|------------------------------|
| 1               | HG-5103         | BEARING FRAME                |
| 2               | HG-5104         | SHAFT                        |
| 3               | HG-5105         | CAM                          |
| 4               | SLC-5005        | WEIGHT                       |
| 101             | 100-5041        | BEARING NSK F688 ZZ          |
| 201             | 010-0410-F      | S-TITE SCR PH W/F M4x10      |
| 202             | 069-0053        | FLT WSHR SPECIAL 6.8-9.5x0.6 |
| 203             | 065-0005        | E RING 5mm                   |
| 204             | 045-0017        | SPRING PIN UNBR 4x24         |
| 205             | 028-0001        | SET SCR HEX SKT CP UNBR M3x4 |

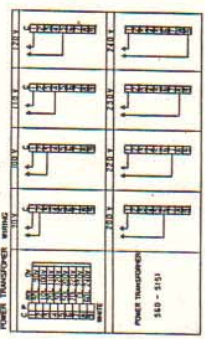
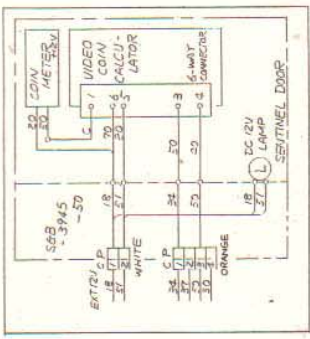
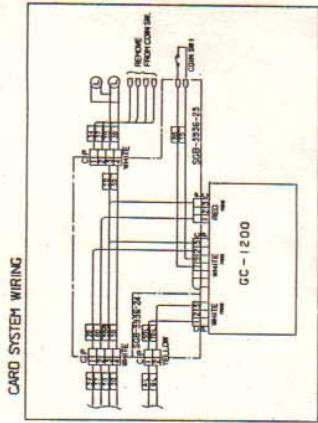
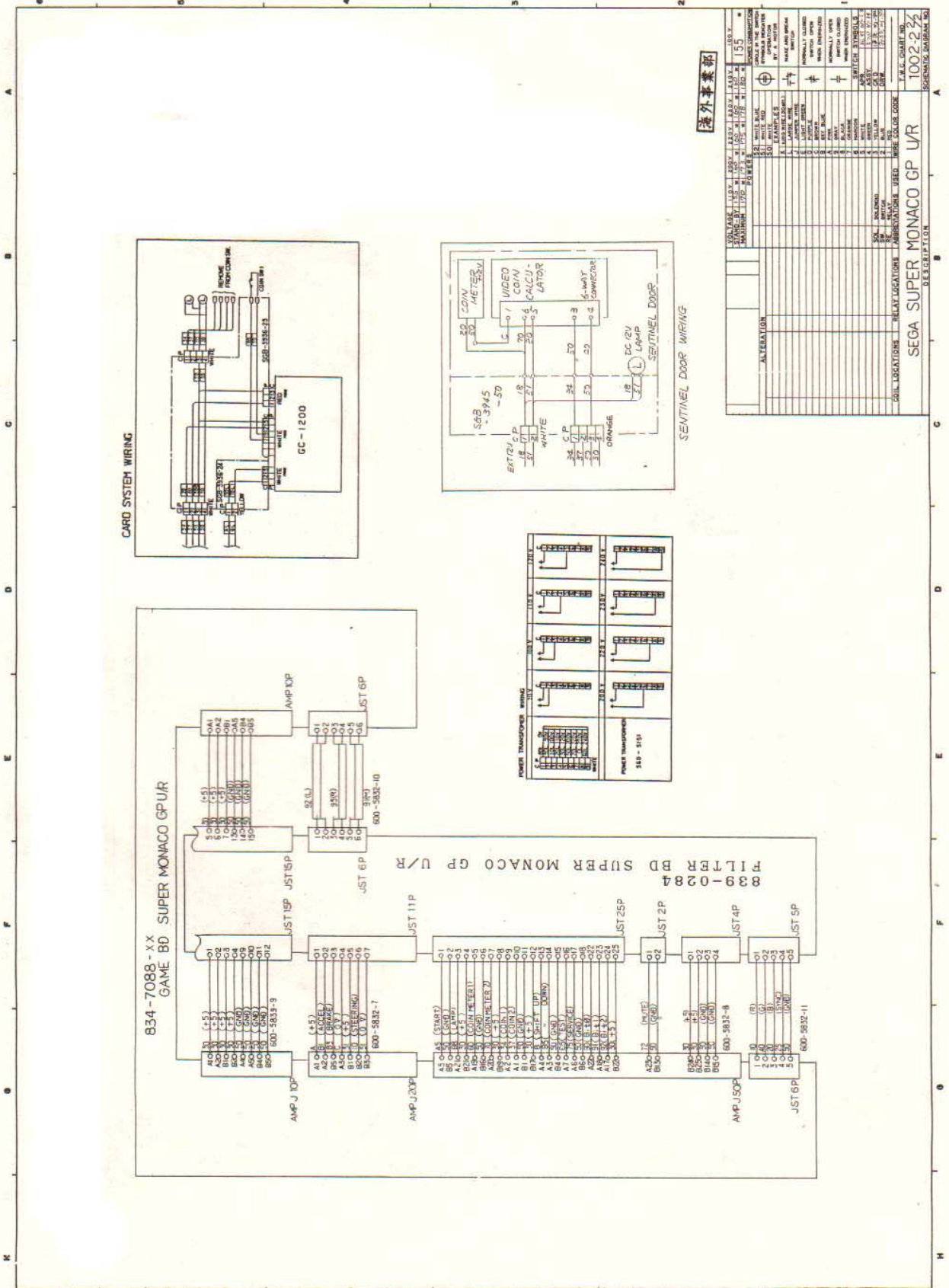




**ASSY PWR SPLY U/R (SLC-40002)**

| <u>ITEM NO.</u> | <u>PART NO.</u> | <u>DESCRIPTION</u>                          |
|-----------------|-----------------|---|
| 1               | SLC-4003        | WOODEN BASE                                 |
| 2               | 421-7496        | STICKER FUSE INSTR                          |
| 101             | 560-5151        | PWR XFMR 120V 18.5V 5V, 30V 1.6A, 120V 1.5A |
| 102             | 400-5089        | SW REGU 90-240V +5V 12A                     |
| 103             | 601-6227        | PWR AMP W/SW REGU 12V, 5A                   |
| 104             | 601-6228        | PWR AMP FOR SUPER WOOFER                    |
| 106             | 270-5020        | NOISE FILTER AC 250V 6A                     |
| 107             | 117-5167        | TERMINAL 5P-2PX2 SHORT                      |
| 108             | 514-0064        | FU HLDR 2P W/COVER                          |
| 109             | 514-0040        | FU 4A 6.4x30MM                              |
| 110             | 514-0034        | FU 5A 6.4X30MM                              |
| 111             | 400-5103        | VARIABLE REGU DC 0-24V                      |
| 113             | 280-0419        | HARNESS LUG                                 |
| 114             | 280-5126        | CORD CLAMP 25                               |
| 201             | 000-0516-F5     | M SCR PH W/FS M5X16                         |
| 202             | 005-3113-F      | W SCR RH W/F 3.1X13                         |
| 203             | 029-0173        | W SCR RH 2.7X25                             |
| 204             | 010-0320-F      | S-TITE SCR PH W/F M3X20                     |
| 205             | 005-3116        | W SCR RH 3.1x16                             |
| 206             | 005-3520        | W SCR RH 3.5x20                             |
| 301             | 600-5832-3      | CONN JST 21P & F187x10                      |
| 302             | 600-5832-4      | CONN JST 4P & MOLEX 7P                      |
| 302             | 600-5832-5      | CONN AUDIO                                  |
| 305             | SGB-3957-1      | WIRE HARN PWR SPLY                          |
| 306             | 280-0419        | HARNESS LUG                                 |
| 307             | 601-0460        | PLASTIC TIE BELT 85MM                       |

WIRING DIAGRAM (D -2/2)

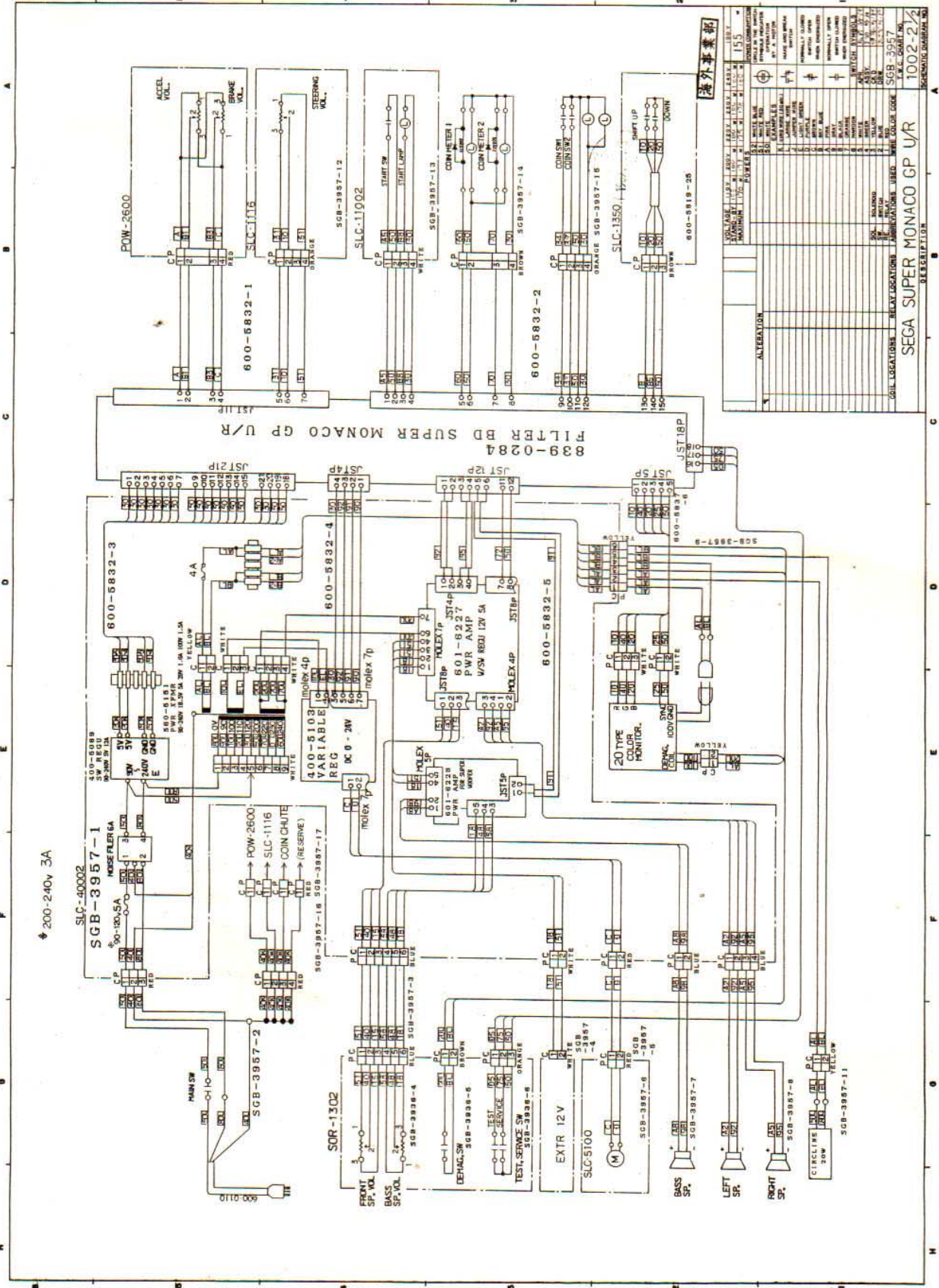


海外事業部

| NO. | DESCRIPTION   | REVISION | DATE       | BY         |
|-----|---------------|----------|------------|------------|
| 1   | INITIAL ISSUE |          | 1978.11.16 | Y. MATSUDA |
| 2   | REVISION      |          | 1979.01.18 | Y. MATSUDA |
| 3   | REVISION      |          | 1979.03.15 | Y. MATSUDA |
| 4   | REVISION      |          | 1979.04.18 | Y. MATSUDA |
| 5   | REVISION      |          | 1979.05.18 | Y. MATSUDA |
| 6   | REVISION      |          | 1979.06.18 | Y. MATSUDA |
| 7   | REVISION      |          | 1979.07.18 | Y. MATSUDA |
| 8   | REVISION      |          | 1979.08.18 | Y. MATSUDA |
| 9   | REVISION      |          | 1979.09.18 | Y. MATSUDA |
| 10  | REVISION      |          | 1979.10.18 | Y. MATSUDA |
| 11  | REVISION      |          | 1979.11.18 | Y. MATSUDA |
| 12  | REVISION      |          | 1979.12.18 | Y. MATSUDA |
| 13  | REVISION      |          | 1980.01.18 | Y. MATSUDA |
| 14  | REVISION      |          | 1980.02.18 | Y. MATSUDA |
| 15  | REVISION      |          | 1980.03.18 | Y. MATSUDA |
| 16  | REVISION      |          | 1980.04.18 | Y. MATSUDA |
| 17  | REVISION      |          | 1980.05.18 | Y. MATSUDA |
| 18  | REVISION      |          | 1980.06.18 | Y. MATSUDA |
| 19  | REVISION      |          | 1980.07.18 | Y. MATSUDA |
| 20  | REVISION      |          | 1980.08.18 | Y. MATSUDA |
| 21  | REVISION      |          | 1980.09.18 | Y. MATSUDA |
| 22  | REVISION      |          | 1980.10.18 | Y. MATSUDA |
| 23  | REVISION      |          | 1980.11.18 | Y. MATSUDA |
| 24  | REVISION      |          | 1980.12.18 | Y. MATSUDA |
| 25  | REVISION      |          | 1981.01.18 | Y. MATSUDA |
| 26  | REVISION      |          | 1981.02.18 | Y. MATSUDA |
| 27  | REVISION      |          | 1981.03.18 | Y. MATSUDA |
| 28  | REVISION      |          | 1981.04.18 | Y. MATSUDA |
| 29  | REVISION      |          | 1981.05.18 | Y. MATSUDA |
| 30  | REVISION      |          | 1981.06.18 | Y. MATSUDA |
| 31  | REVISION      |          | 1981.07.18 | Y. MATSUDA |
| 32  | REVISION      |          | 1981.08.18 | Y. MATSUDA |
| 33  | REVISION      |          | 1981.09.18 | Y. MATSUDA |
| 34  | REVISION      |          | 1981.10.18 | Y. MATSUDA |
| 35  | REVISION      |          | 1981.11.18 | Y. MATSUDA |
| 36  | REVISION      |          | 1981.12.18 | Y. MATSUDA |
| 37  | REVISION      |          | 1982.01.18 | Y. MATSUDA |
| 38  | REVISION      |          | 1982.02.18 | Y. MATSUDA |
| 39  | REVISION      |          | 1982.03.18 | Y. MATSUDA |
| 40  | REVISION      |          | 1982.04.18 | Y. MATSUDA |
| 41  | REVISION      |          | 1982.05.18 | Y. MATSUDA |
| 42  | REVISION      |          | 1982.06.18 | Y. MATSUDA |
| 43  | REVISION      |          | 1982.07.18 | Y. MATSUDA |
| 44  | REVISION      |          | 1982.08.18 | Y. MATSUDA |
| 45  | REVISION      |          | 1982.09.18 | Y. MATSUDA |
| 46  | REVISION      |          | 1982.10.18 | Y. MATSUDA |
| 47  | REVISION      |          | 1982.11.18 | Y. MATSUDA |
| 48  | REVISION      |          | 1982.12.18 | Y. MATSUDA |
| 49  | REVISION      |          | 1983.01.18 | Y. MATSUDA |
| 50  | REVISION      |          | 1983.02.18 | Y. MATSUDA |
| 51  | REVISION      |          | 1983.03.18 | Y. MATSUDA |
| 52  | REVISION      |          | 1983.04.18 | Y. MATSUDA |
| 53  | REVISION      |          | 1983.05.18 | Y. MATSUDA |
| 54  | REVISION      |          | 1983.06.18 | Y. MATSUDA |
| 55  | REVISION      |          | 1983.07.18 | Y. MATSUDA |
| 56  | REVISION      |          | 1983.08.18 | Y. MATSUDA |
| 57  | REVISION      |          | 1983.09.18 | Y. MATSUDA |
| 58  | REVISION      |          | 1983.10.18 | Y. MATSUDA |
| 59  | REVISION      |          | 1983.11.18 | Y. MATSUDA |
| 60  | REVISION      |          | 1983.12.18 | Y. MATSUDA |
| 61  | REVISION      |          | 1984.01.18 | Y. MATSUDA |
| 62  | REVISION      |          | 1984.02.18 | Y. MATSUDA |
| 63  | REVISION      |          | 1984.03.18 | Y. MATSUDA |
| 64  | REVISION      |          | 1984.04.18 | Y. MATSUDA |
| 65  | REVISION      |          | 1984.05.18 | Y. MATSUDA |
| 66  | REVISION      |          | 1984.06.18 | Y. MATSUDA |
| 67  | REVISION      |          | 1984.07.18 | Y. MATSUDA |
| 68  | REVISION      |          | 1984.08.18 | Y. MATSUDA |
| 69  | REVISION      |          | 1984.09.18 | Y. MATSUDA |
| 70  | REVISION      |          | 1984.10.18 | Y. MATSUDA |
| 71  | REVISION      |          | 1984.11.18 | Y. MATSUDA |
| 72  | REVISION      |          | 1984.12.18 | Y. MATSUDA |
| 73  | REVISION      |          | 1985.01.18 | Y. MATSUDA |
| 74  | REVISION      |          | 1985.02.18 | Y. MATSUDA |
| 75  | REVISION      |          | 1985.03.18 | Y. MATSUDA |
| 76  | REVISION      |          | 1985.04.18 | Y. MATSUDA |
| 77  | REVISION      |          | 1985.05.18 | Y. MATSUDA |
| 78  | REVISION      |          | 1985.06.18 | Y. MATSUDA |
| 79  | REVISION      |          | 1985.07.18 | Y. MATSUDA |
| 80  | REVISION      |          | 1985.08.18 | Y. MATSUDA |
| 81  | REVISION      |          | 1985.09.18 | Y. MATSUDA |
| 82  | REVISION      |          | 1985.10.18 | Y. MATSUDA |
| 83  | REVISION      |          | 1985.11.18 | Y. MATSUDA |
| 84  | REVISION      |          | 1985.12.18 | Y. MATSUDA |
| 85  | REVISION      |          | 1986.01.18 | Y. MATSUDA |
| 86  | REVISION      |          | 1986.02.18 | Y. MATSUDA |
| 87  | REVISION      |          | 1986.03.18 | Y. MATSUDA |
| 88  | REVISION      |          | 1986.04.18 | Y. MATSUDA |
| 89  | REVISION      |          | 1986.05.18 | Y. MATSUDA |
| 90  | REVISION      |          | 1986.06.18 | Y. MATSUDA |
| 91  | REVISION      |          | 1986.07.18 | Y. MATSUDA |
| 92  | REVISION      |          | 1986.08.18 | Y. MATSUDA |
| 93  | REVISION      |          | 1986.09.18 | Y. MATSUDA |
| 94  | REVISION      |          | 1986.10.18 | Y. MATSUDA |
| 95  | REVISION      |          | 1986.11.18 | Y. MATSUDA |
| 96  | REVISION      |          | 1986.12.18 | Y. MATSUDA |
| 97  | REVISION      |          | 1987.01.18 | Y. MATSUDA |
| 98  | REVISION      |          | 1987.02.18 | Y. MATSUDA |
| 99  | REVISION      |          | 1987.03.18 | Y. MATSUDA |
| 100 | REVISION      |          | 1987.04.18 | Y. MATSUDA |



WIRING DIAGRAM (D -1/2)



海外業務部

| 品名               | 数量 | 場所  | 説明               |
|------------------|----|-----|------------------|
| ACCELERATOR      | 1  | 100 | ACCELERATOR      |
| ALTERNATION      | 1  | 100 | ALTERNATION      |
| COIN METER 1     | 1  | 100 | COIN METER 1     |
| COIN METER 2     | 1  | 100 | COIN METER 2     |
| COIN SW          | 1  | 100 | COIN SW          |
| COIN SWZ         | 1  | 100 | COIN SWZ         |
| START SW         | 1  | 100 | START SW         |
| START LAMP       | 1  | 100 | START LAMP       |
| WRITE            | 1  | 100 | WRITE            |
| STEERING VOL.    | 1  | 100 | STEERING VOL.    |
| BRAKE VOL.       | 1  | 100 | BRAKE VOL.       |
| ACCEL VOL.       | 1  | 100 | ACCEL VOL.       |
| SHIFT UP         | 1  | 100 | SHIFT UP         |
| SHIFT DOWN       | 1  | 100 | SHIFT DOWN       |
| TEST SERVICE SW  | 1  | 100 | TEST SERVICE SW  |
| TEST SERVICE SWZ | 1  | 100 | TEST SERVICE SWZ |
| DEFUAL SW        | 1  | 100 | DEFUAL SW        |
| EXTR 12V         | 1  | 100 | EXTR 12V         |
| LEFT SP.         | 1  | 100 | LEFT SP.         |
| RIGHT SP.        | 1  | 100 | RIGHT SP.        |
| CIRCUITRY        | 1  | 100 | CIRCUITRY        |

SEGA SUPER MONACO GP U/R  
1002-2/2  
SCHEMATIC DIAGRAM NO.



COIN/CREDIT OPTION SWITCH SETTING

DIP SW A

| OPTION     |           | 1   | 2   | 3   | 4          | 5   | 6   | 7   | 8   |
|------------|-----------|-----|-----|-----|------------|-----|-----|-----|-----|
| 1 COIN     | 1 CREDIT  | OFF | OFF | OFF | OFF        | OFF | OFF | OFF | OFF |
| 1 COIN     | 2 CREDITS | ON  | OFF | OFF | OFF        | ON  | OFF | OFF | OFF |
| 1 COIN     | 3 CREDITS | OFF | ON  | OFF | OFF        | OFF | ON  | OFF | OFF |
| 1 COINS    | 4 CREDIT  | ON  | ON  | OFF | OFF        | ON  | ON  | OFF | OFF |
| 1 COINS    | 5 CREDIT  | OFF | OFF | ON  | OFF        | OFF | OFF | ON  | OFF |
| 1 COINS    | 6 CREDIT  | ON  | OFF | ON  | OFF        | ON  | OFF | ON  | OFF |
| 2 COINS    | 1 CREDIT  | OFF | ON  | ON  | OFF        | OFF | ON  | ON  | OFF |
| 3 COINS    | 1 CREDIT  | ON  | ON  | ON  | OFF        | ON  | ON  | ON  | OFF |
| 4 COINS    | 1 CREDIT  | OFF | OFF | OFF | ON         | OFF | OFF | OFF | ON  |
| 2 COINS    | 3 CREDITS | ON  | OFF | OFF | ON         | ON  | OFF | OFF | ON  |
| 2 COINS    | 1 CREDIT  |     |     |     |            |     |     |     |     |
| 4 COINS    | 2 CREDITS | OFF | ON  | OFF | ON         | OFF | ON  | OFF | ON  |
| 5 COINS    | 3 CREDITS |     |     |     |            |     |     |     |     |
| 6 COINS    | 4 CREDITS |     |     |     |            |     |     |     |     |
| 2 COINS    | 1 CREDIT  | ON  | ON  | OFF | ON         | ON  | ON  | OFF | ON  |
| 4 COINS    | 3 CREDITS |     |     |     |            |     |     |     |     |
| 1 COIN     | 1 CREDIT  |     |     |     |            |     |     |     |     |
| 2 COINS    | 2 CREDITS | OFF | OFF | ON  | ON         | OFF | OFF | ON  | ON  |
| 3 COINS    | 3 CREDITS |     |     |     |            |     |     |     |     |
| 4 COINS    | 4 CREDITS |     |     |     |            |     |     |     |     |
| 5 COINS    | 6 CREDITS |     |     |     |            |     |     |     |     |
| 1 COIN     | 1 CREDIT  |     |     |     |            |     |     |     |     |
| 2 COINS    | 2 CREDITS | ON  | OFF | ON  | ON         | ON  | OFF | ON  | ON  |
| 3 COINS    | 3 CREDITS |     |     |     |            |     |     |     |     |
| 4 COINS    | 5 CREDITS |     |     |     |            |     |     |     |     |
| 1 COIN     | 1 CREDIT  | OFF | ON  | ON  | ON         | OFF | ON  | ON  | ON  |
| 2 COINS    | 3 CREDITS |     |     |     |            |     |     |     |     |
| FREE PLAY  |           | ON  | ON  | ON  | ON         | ON  | ON  | ON  | ON  |
| COIN SW #1 |           |     |     |     | COIN SW #2 |     |     |     |     |

GAME OPTION SWITCH SETTING

DIP SW B

| OPTION  |          | 1   | 2   | 3   | 4   | 5   | 6   | 7   | 8   |
|---|----------|-----|-----|-----|-----|-----|-----|-----|-----|
| 通信時の<br>ID<br>NUMBER<br>YOUR ID NUMBER<br>WHEN LINKING        | 1        | OFF | OFF | OFF |     |     |     |     |     |
|   | 2        | ON  | OFF | OFF |     |     |     |     |     |
|   | 3        | OFF | ON  | OFF |     |     |     |     |     |
|   | 4        | ON  | ON  | OFF |     |     |     |     |     |
|   | 5        | OFF | OFF | ON  |     |     |     |     |     |
|   | 6        | ON  | OFF | ON  |     |     |     |     |     |
|   | 7        | OFF | ON  | ON  |     |     |     |     |     |
|   | 8        | ON  | ON  | ON  |     |     |     |     |     |
| 通信時の<br>接続台数<br>THE NUMBER OF<br>THE MACHINES<br>TO BE LINKED | 1        |     |     |     | OFF | OFF | OFF |     |     |
|   | 2        |     |     |     | ON  | OFF | OFF |     |     |
|   | 3        |     |     |     | OFF | ON  | OFF |     |     |
|   | 4        |     |     |     | ON  | ON  | OFF |     |     |
|   | 5        |     |     |     | OFF | OFF | ON  |     |     |
|   | 6        |     |     |     | ON  | OFF | ON  |     |     |
|   | 7        |     |     |     | OFF | ON  | ON  |     |     |
|   | 8        |     |     |     | ON  | ON  | ON  |     |     |
| CABINET<br>TYPE   | DX       |     |     |     |     |     |     | OFF | OFF |
|   | COCKPIT  |     |     |     |     |     |     | ON  | OFF |
|   | UP_RIGHT |     |     |     |     |     |     | OFF | ON  |
|   | DX       |     |     |     |     |     |     | ON  | ON  |

通信時以外は、1から6までは、全てOFFとする。

IN CASE OF YOU DON'T LINK THE MACHINES  
PLEASE ADJUST DIPSW No.#1 TO No.#6 ALL OFF

**SEGA ENTERPRISES, INC. (USA)**

2149 Paragon Drive

San Jose, CA 95131

Tel. (408) 435-0201

©SEGA 1989