

342



SUPER CONTRA™

INSTRUCTION MANUAL

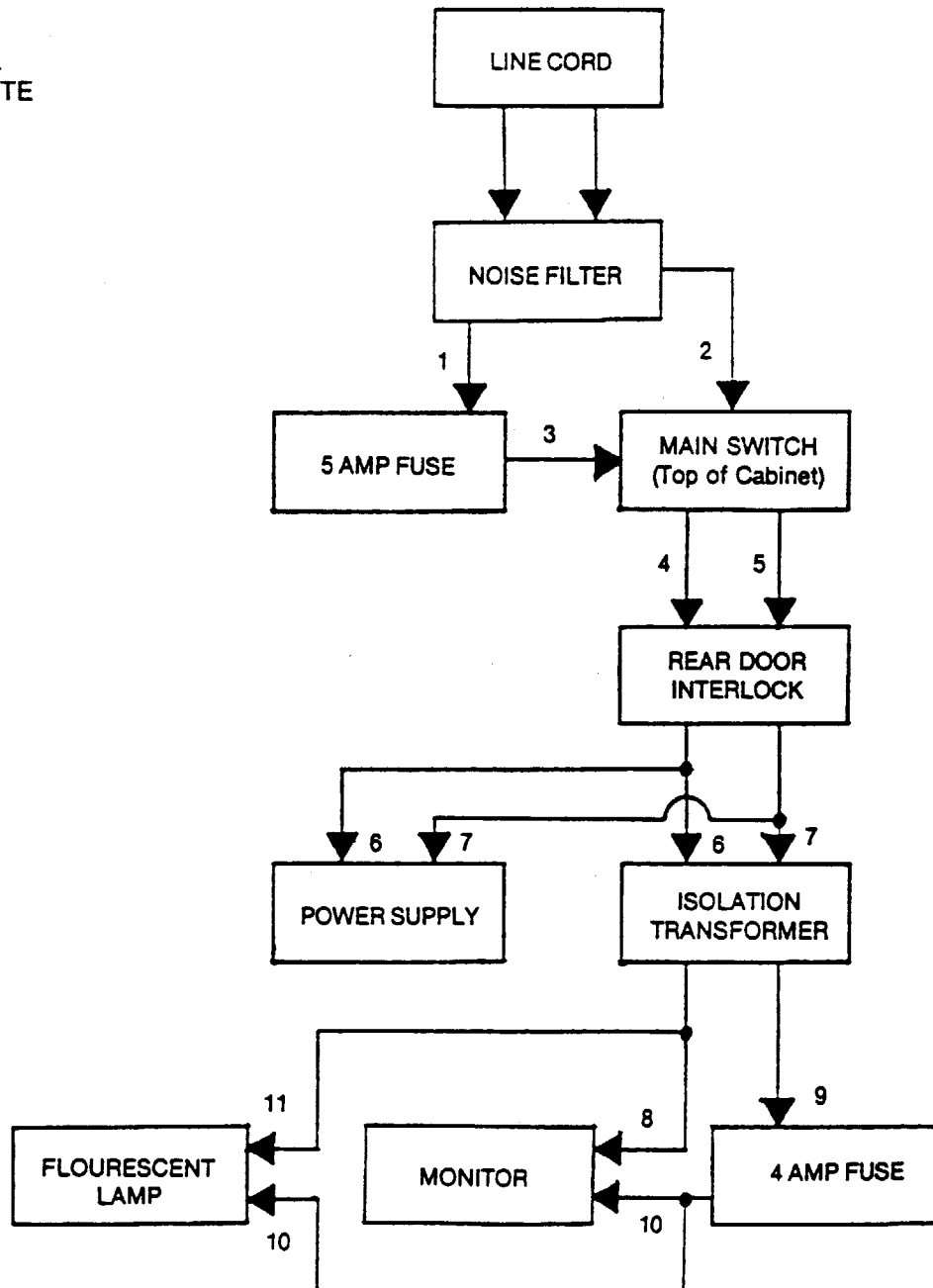
SUPER CONTRA™ is a registered trademark of Konami Inc. © 1988 Konami Inc.
 *KONAMI® is a trademark of Konami Industry Co., Ltd.*

TABLE OF CONTENTS

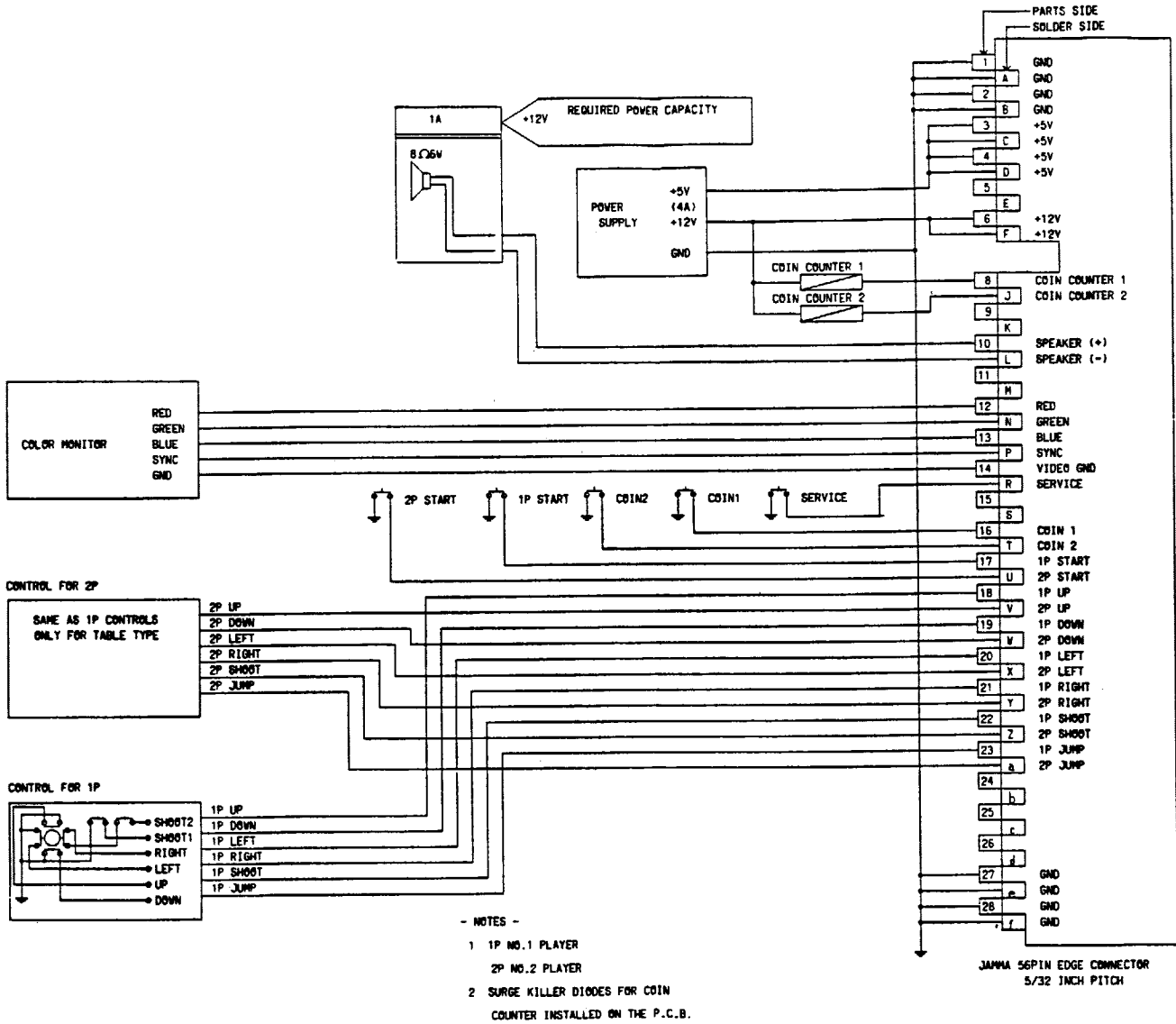
| | Page | | Page |
|----------------------|------|---------------------------|------|
| Wiring Harness | 1 | Dip Switch Settings | 4 |
| AC Flow Chart | 2 | Coin Door Assembly | 5-8 |
| Wiring Diagram | 3 | | |

SUPER CONTRA: AC FLOW CHART

1. GREEN/YELLOW
2. BLACK
3. RED
4. BLUE
5. BROWN
6. RED/BLACK
7. BLACK/WHITE
8. WHITE
9. GREEN
10. VIOLET
11. ORANGE



SUPER CONTRA: WIRING DIAGRAM



DIP SWITCH SETTINGS

DIP SWITCH NO. 1 SETTINGS

1. COIN 1

| SW | 1 | 2 | 3 | 4 | COIN | PLAY |
|----|-----|-----|-----|-----|----------|------|
| • | OFF | OFF | OFF | OFF | 1 | 1 |
| | ON | OFF | | | 1 | 2 |
| | OFF | ON | | | 1 | 3 |
| | ON | ON | | | 1 | 4 |
| | OFF | OFF | ON | OFF | 1 | 5 |
| | ON | OFF | | | 1 | 6 |
| | OFF | ON | | | 1 | 7 |
| | ON | ON | | | 2 | 1 |
| | OFF | OFF | OFF | ON | 2 | 3 |
| | ON | OFF | | | 2 | 5 |
| | OFF | ON | | | 3 | 1 |
| | ON | ON | | | 3 | 2 |
| | OFF | OFF | ON | ON | 3 | 4 |
| | ON | OFF | | | 4 | 1 |
| | OFF | ON | | | 4 | 3 |
| | ON | ON | | | FREEPLAY | |

FREEPLAY: You can play game without coins.

DIP SWITCH NO. 2 SETTINGS

1. THE NUMBER OF PLAYER'S LIFE

| SW | 1 | 2 | NUMBER |
|----|-----|-----|--------|
| • | OFF | OFF | 2 |
| | ON | OFF | 3 |
| | OFF | ON | 5 |
| | ON | ON | 7 |

2. CHANGE OF TABLE/UPRIGHT

| SW | 3 | TYPE |
|----|-----|---------|
| • | OFF | TABLE |
| | ON | UPRIGHT |

3. BONUS LIFE

| SW | 4 | 5 | BONUS LIFE |
|----|-----|-----|---------------------------------|
| • | OFF | OFF | At 30,000 pts. and 200,000 pts. |
| | ON | | At 50,000 pts. and 300,000 pts. |
| | OFF | ON | At 30,000 pts. only |
| | ON | ON | At 50,000 pts. only |

4. DIFFICULTY OF THE GAME

| SW | 6 | 7 | DIFFICULTY |
|----|-----|-----|----------------|
| • | OFF | OFF | EASY |
| | ON | OFF | NORMAL |
| | OFF | ON | DIFFICULT |
| | ON | ON | VERY DIFFICULT |

2. COIN 2

| SW | 5 | 6 | 7 | 8 | COIN | PLAY |
|----|-----|-----|-----|-----|------|------|
| • | OFF | OFF | OFF | OFF | 1 | 1 |
| | ON | OFF | | | 1 | 2 |
| | OFF | ON | | | 1 | 3 |
| | ON | ON | | | 1 | 4 |
| | OFF | OFF | ON | OFF | 1 | 5 |
| | ON | OFF | | | 1 | 6 |
| | OFF | ON | | | 1 | 7 |
| | ON | ON | | | 2 | 1 |
| | OFF | OFF | OFF | ON | 2 | 3 |
| | ON | OFF | | | 2 | 5 |
| | OFF | ON | | | 3 | 1 |
| | ON | ON | | | 3 | 2 |
| | OFF | OFF | ON | ON | 3 | 4 |
| | ON | OFF | | | 4 | 1 |
| | OFF | ON | | | 4 | 3 |
| | ON | ON | | | VOID | |

5. SOUND IN ATTRACTIVE MODE

| SW | 8 | SOUND |
|----|-----|-------|
| • | OFF | OFF |
| | ON | ON |

DIP SWITCH NO.3 SETTINGS

1. VIDEO SCREEN FLIP

| SW | 1 | VIDEO SCREEN (Monitor) |
|----|-----|------------------------|
| • | OFF | NORMAL |
| | ON | UPSIDE DOWN |

2. CHANGE OF MODE

| SW | 3 | MODE |
|----|-----|------------|
| • | OFF | GAME MODE |
| | ON | CHECK MODE |

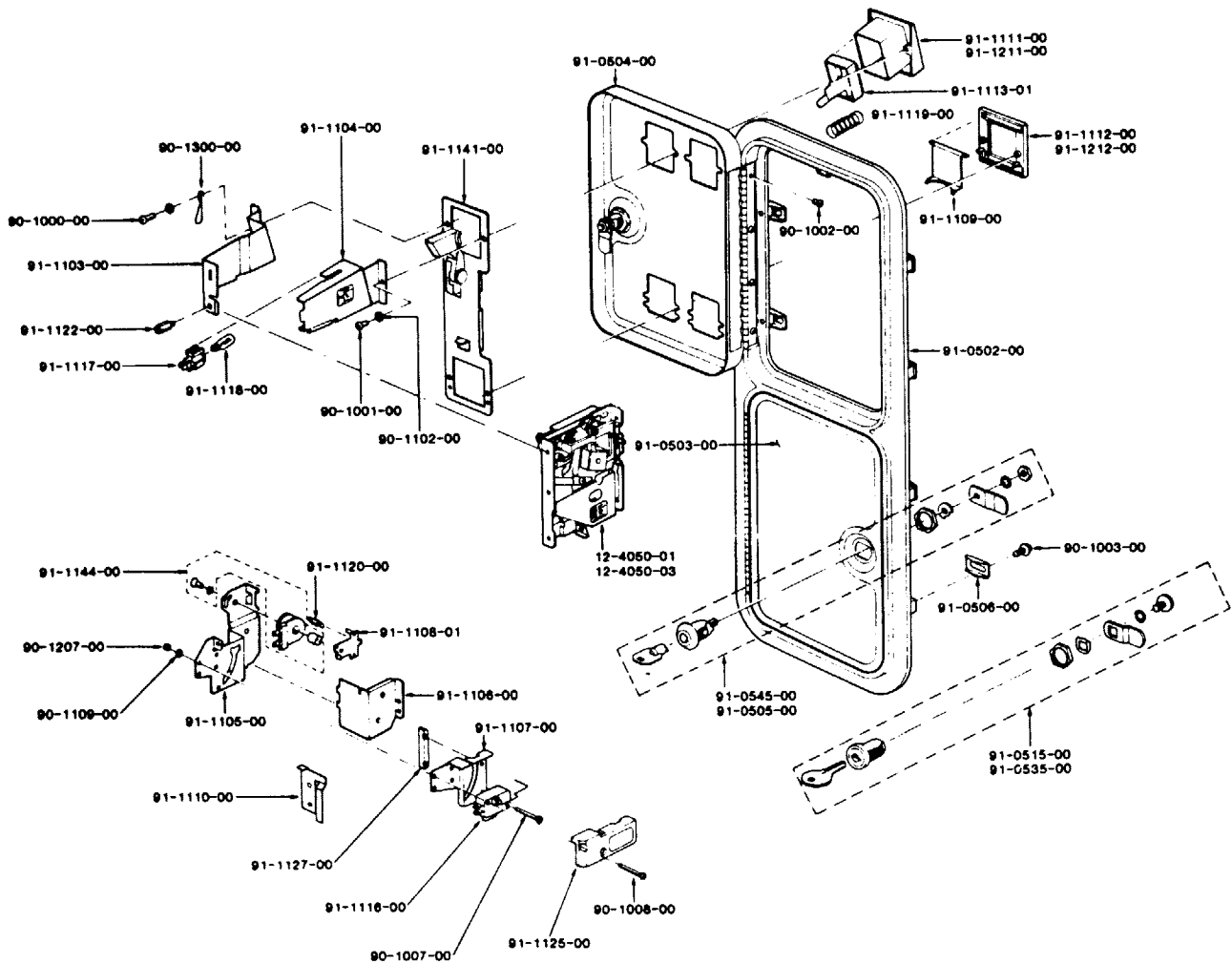
3. CONTINUATION

| SW | 4 | 1 PLAYER PLAY | 2 PLAYER PLAY |
|----|-----|---------------|--------------------------|
| • | OFF | Up to 3 times | Up to twice altogether |
| | ON | Up to 5 times | Up to 4 times altogether |

SW2 is not used.

- Shows recommended settings

COMPLETE COIN DOOR ASSEMBLY EXPLODED VIEW

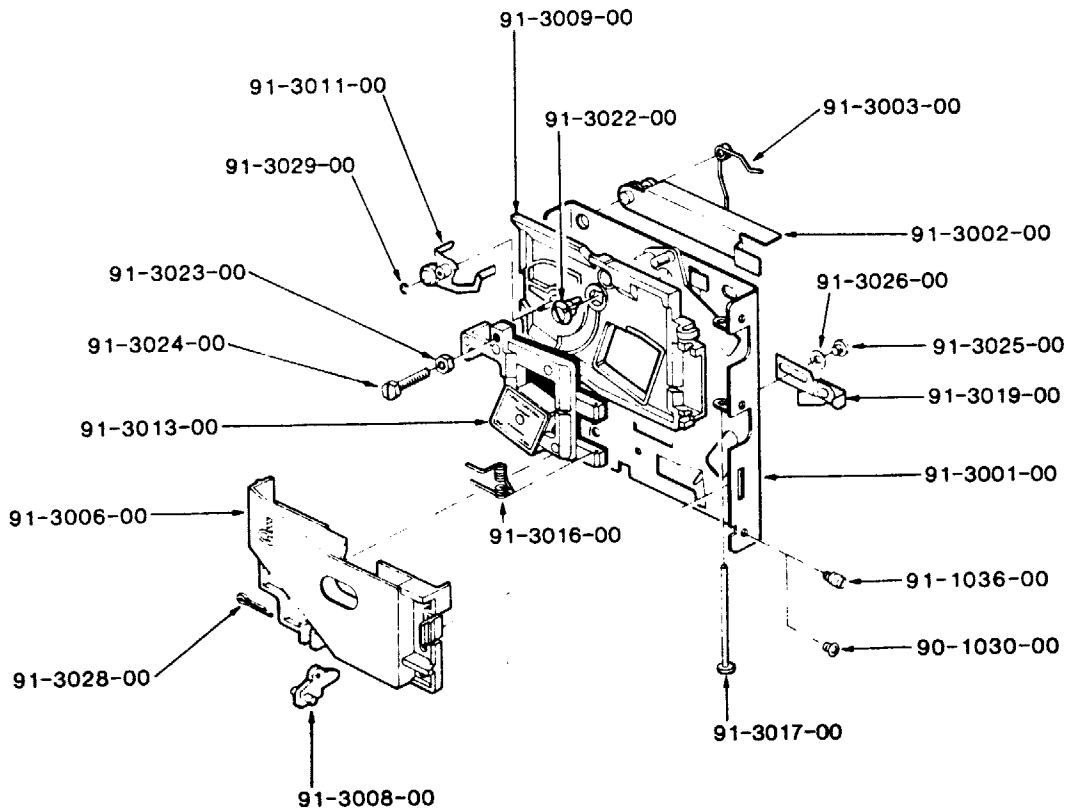


PARTS LIST

| | | | | | | | |
|------------|---|------------|---------------------------------------|------------|---------------------------------|------------|--|
| 12-4050-01 | S-10 Acceptor Body U.S. 25* | 90-1102-00 | Washer for Bezel Screw | 91-1103-00 | Coin Inlet Lamp Side | 91-1119-00 | Button Spring |
| 12-4050-03 | S-10 Acceptor Body Canadian 25* | 90-1207-00 | Nut for Microswitch Mounting Screw | 91-1104-00 | Coin Inlet Cover Side | 91-1120-00 | Lockout Spring |
| 20-4177-00 | Plastic Cash Box | 90-1300-00 | Keyhook | 91-1105-00 | Reject Cup Side Plate | 91-1122-00 | Retaining Screw for Acceptor Body |
| 20-4179-00 | Steel Enclosure | 91-0502-00 | Zinc Die Cast Frame | 91-1106-00 | Reject Cup Base Plate | 91-1125-00 | Clear Plastic Cover for Microswitch |
| 22-1400-00 | Locking Bar | 91-0503-00 | Lower Door | 91-1107-00 | Microswitch Bracket | 91-1127-00 | Plastic Switch Adjuster |
| 24-1150-00 | Wire Harness | 91-0504-00 | Upper Door | 91-1108-01 | Lockout Flap U.S. 25* | 91-1141-00 | Base Plate With Pivot and Stud |
| 90-1000-00 | Keyhook Bezel Screw | 91-0505-00 | Round Lock and Cam Assembly | 91-1109-00 | Reject Flap | 91-1144-00 | 6 Volt DC Lockout Coil Assembly |
| 90-1001-00 | Bezel Screw | 91-0506-00 | Clamp | 91-1110-00 | Metal Switch Adjuster | 91-1211-00 | Zinc Plated Button Bezel |
| 90-1002-00 | Hinge Screw | 91-0515-00 | Flat Lock and Cam Assembly | 91-1111-00 | Black Button Bezel | 91-1212-00 | Zinc Plated Reject Bezel |
| 90-1003-00 | Clamp Screw | 91-0535-00 | Flat Lock and Cam Assembly | 91-1112-00 | Black Reject Bezel | | |
| 90-1007-00 | Flat Head Microswitch Mounting Screw | 91-0545-00 | Round Lock and Cam Assembly | 91-1113-01 | Entry/Reject Button U.S. 25* | | |
| 90-1008-00 | Panhead Microswitch Mounting Screw | | | 91-1116-00 | Microswitch (Black End Arm) | | |
| | | | | 91-1117-00 | Lampholder | | |
| | | | | 91-1118-00 | 6 V Wedge Base Lamp | | |

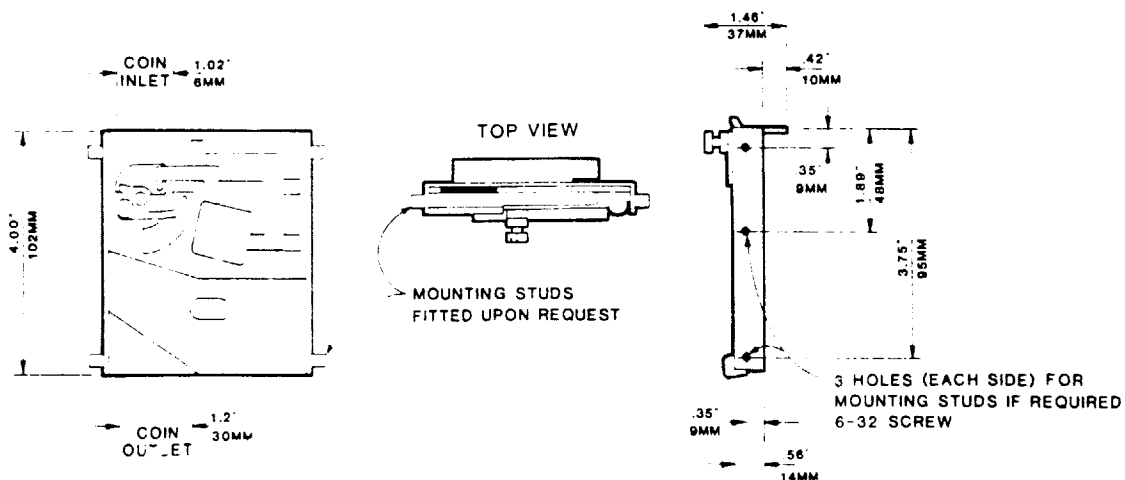
Gold Mech

Engineering Data and Parts List



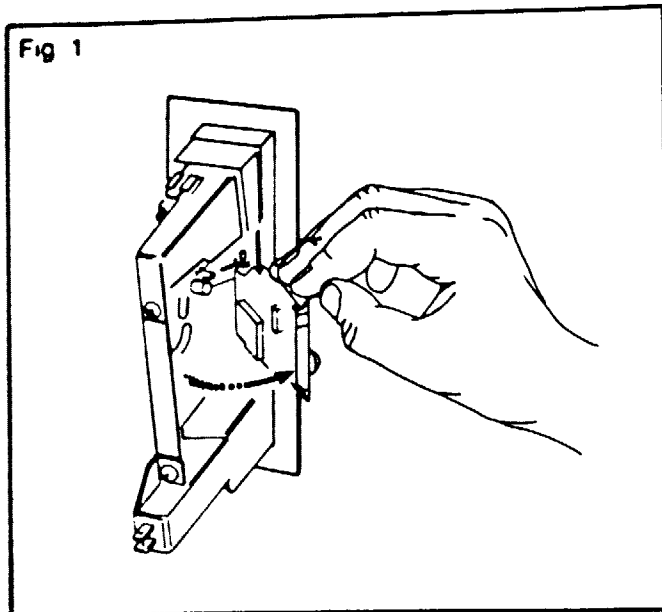
PARTS LIST

| | | |
|---|--------------------------------------|---|
| 90-1030-00 Retaining Screw (#6-32"x.250") | 91-3009-00 Gate | 91-3023-00 Locknut-Magnet Holder |
| 91-1036-00 Mounting Stud | 91-3011-00 Cradle | 91-3024-00 Screw-Magnet Holder |
| 91-3001-00 Back Plate | 91-3013-00 Magnet Holder with Magnet | 91-3025-00 Screw Separator |
| 91-3002-00 Reject Lever | 91-3016-00 Gate Spring | 91-3026-00 Washer |
| 91-3003-00 Reject Lever Spring | 91-3017-00 Gate Pin | 91-3028-00 Cotter Pin for Anti-stringing Device |
| 91-3006-00 Cover Plate | 91-3019-00 Separator | 91-3029-00 E-Clip for Cradle |
| 91-3008-00 Anti-Stringing Device | 91-3022-00 Diameter Adjustment | |



Gold Mech: Service Information

CLEANING and CARE of the MECHANISM



The magnet that is fitted to the mechanism, should be kept clean from foreign particles. The magnet can be cleaned by swinging the gate open. (as shown in Fig. 1.) Remove metal filings from the magnet by guiding the point of a screwdriver along the edges of the magnet, such that the filings cling to the screwdriver.

The mechanism can be cleaned by immersing in water using a small brush to clean the mechanism. Rinse the mechanism with boiling water and dry with compressed air.

Note:

Since the Gold Mech relies on coins passing the magnet at a constant speed, the rejector must be free of dirt and grease which may slow down the coins. Do not lubricate the acceptor with oil as this slows down coins.

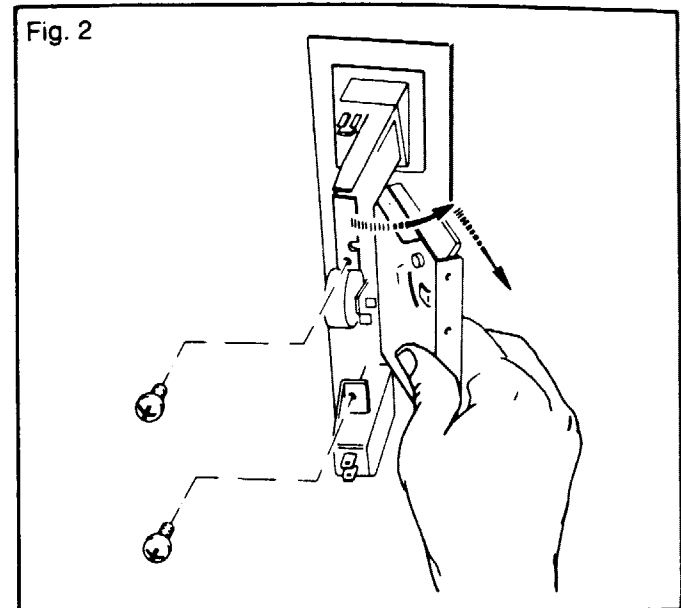
If the above procedures are not successful, check for worn, bent or damaged parts and replace where necessary.

Coin Switch

The coin switch comes in two different spring tensions—identified by the color of the plastic boss at the wire's pivot point.

Red: Light tension—U.S. 25¢

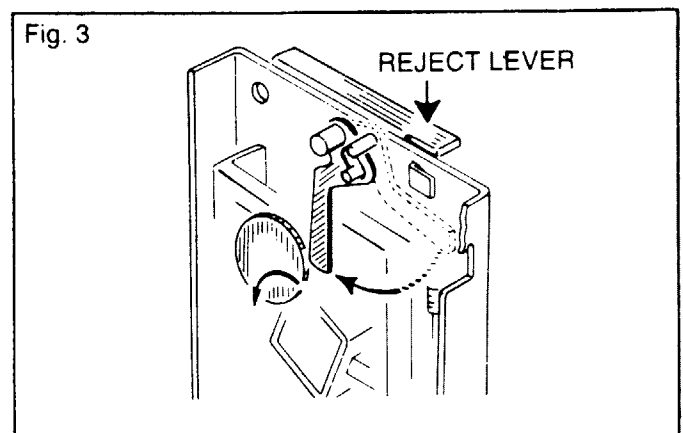
White: Heavy tension—heavy foreign coins



Removal of Mechanism

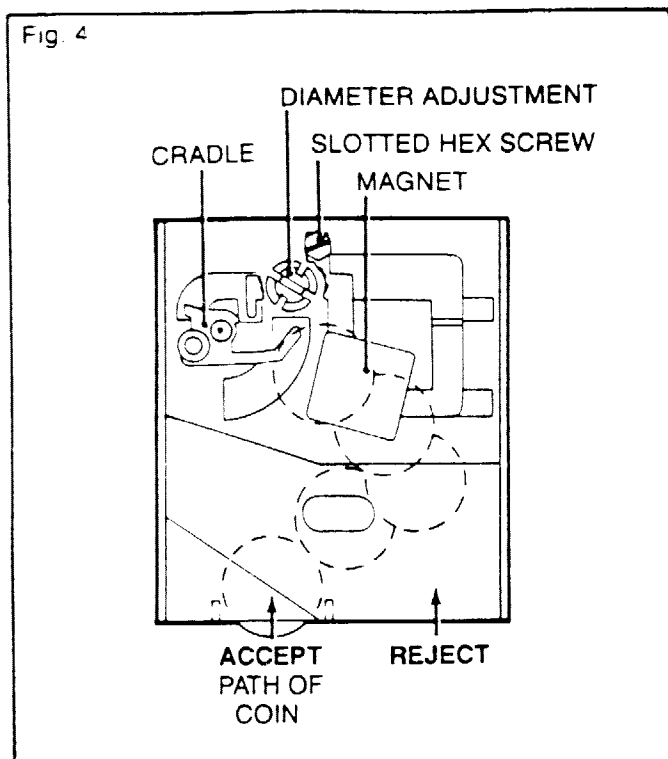
To remove the coin selector: Unscrew the two screws (as SHOWN IN Fig. 2)—swing rear of selector body away from the lock-out side and withdraw.

The Gold Mech Acceptors are designed to require a minimum of maintenance and field adjustment. Coins are checked by diameter and thickness, weight, metal content, bounce, and for ferromagnetic coins such as nickel and steel, a rim test is also used.

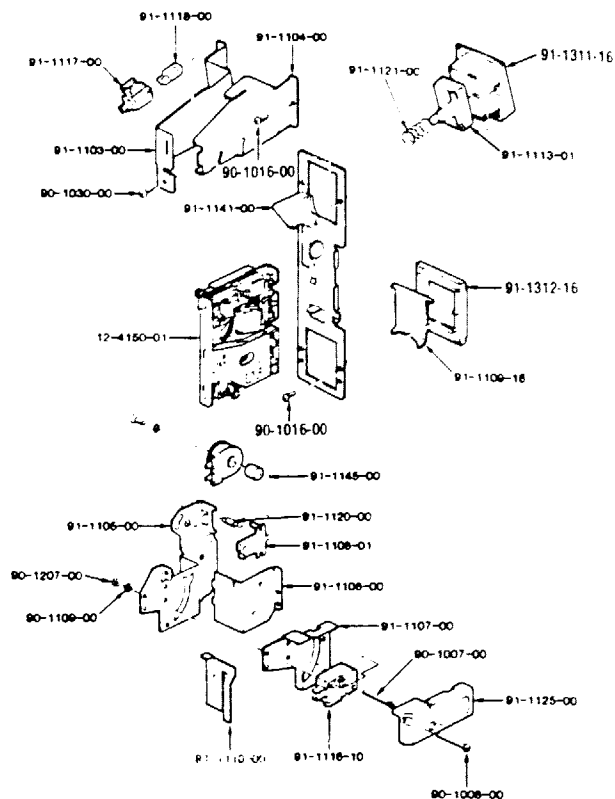


The Magnet

Coins that are too thick will fail to pass between the magnet and the backplate of the mechanism; and will be cleared by the magnet wiper when the reject lever is actuated. (Fig. 3)



Base Plate Assembly for Coin Doors and Front Plates



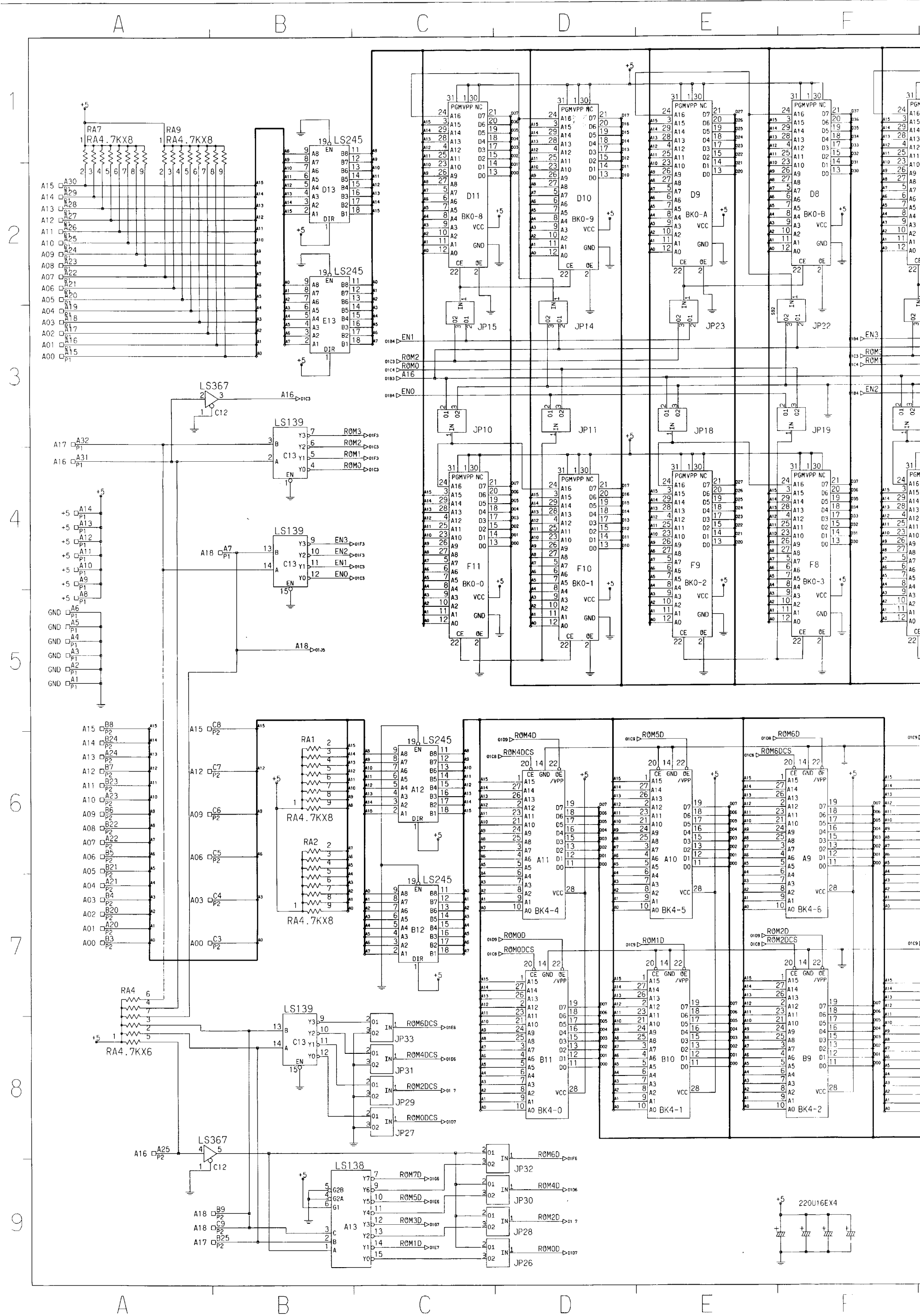
The first check on the coin is at the entry slot which prevents the entry of grossly oversize and bent coins. The next test is at the cradle. When the correct coin falls into the cradle, the cradle tips and the coin is delivered to the magnet check. Under-diameter coins fall between the legs of the cradle and are returned to reject. Under-weight coins fail to tip the cradle and can be returned to reject by pressing the reject lever.

Adjustment

The Gold Mech Acceptors are factory adjusted for optimum performance. If more critical adjustments are desired, or if the unit has been disassembled, the following adjustment procedure is suggested. (Fig. 4)

1. Ensure that the mechanism is in an upright and level position.
2. Loosen the hex locking screw on the magnet holder and unscrew the slotted hex screw.
3. Place a true U.S. 25° coin in the mechanism. Turn the diameter adjustment (Fig. 4) clockwise until the coin falls into the cradle. The cradle should tip and the coin come to rest on the side of the magnet. Turn the slotted hex screw clockwise until the coin just clears the magnet. Give this screw a further ½ turn clockwise for optimum clearance and tighten the locknut.

| Part Number | Description |
|-------------|--------------------------------------|
| 12-4150-01 | Gold Mech Acceptor |
| 90-1000-00 | Keyhook Bezel Screw |
| 90-1007-00 | Flat Head Microswitch Mounting Screw |
| 90-1008-00 | Pan Head Microswitch Mounting Screw |
| 90-1016-00 | CPJS/Bezel Screw |
| 90-1030-00 | Mounting Screw for Gold Mech |
| 90-1032-00 | Bezel/Hinge Screw PZ |
| 90-1109-00 | Lock Washer for Microswitch Assembly |
| 90-1207-00 | Nut for Microswitch Mounting Screw |
| 91-1103-00 | Coin Inlet Lamp Side |
| 91-1104-00 | Coin Inlet Cover Side |
| 91-1105-00 | Reject Cup Side Plate |
| 91-1106-00 | Reject Cup Base Plate |
| 91-1107-00 | Microswitch Bracket |
| 91-1108-00 | Lockout Flap U.S. 25° |
| 91-1109-16 | Reject Flap |
| 91-1110-00 | Metal Switch Adjuster |
| 91-1113-01 | Entry/Reject Button U.S. 25° |
| 91-1116-10 | Microswitch (Red End Arm) |
| 91-1117-00 | Lampholder |
| 91-1118-00 | GV Wedge Base Lamp |
| 91-1120-00 | Lockout Spring |
| 91-1121-00 | Button Spring |
| 91-1125-00 | Clear Plastic Cover for Microswitch |
| 91-1141-00 | Base Plate w/Pivot Coil |
| 91-1145-00 | 12V DC Lockout Coil |
| 91-1311-16 | Black Nylon Button Bezel |
| 91-1312-16 | Black Nylon Reject Bezel |



1

2

3

4

5

6

7

8

9

A

B

C

D

E

F

A

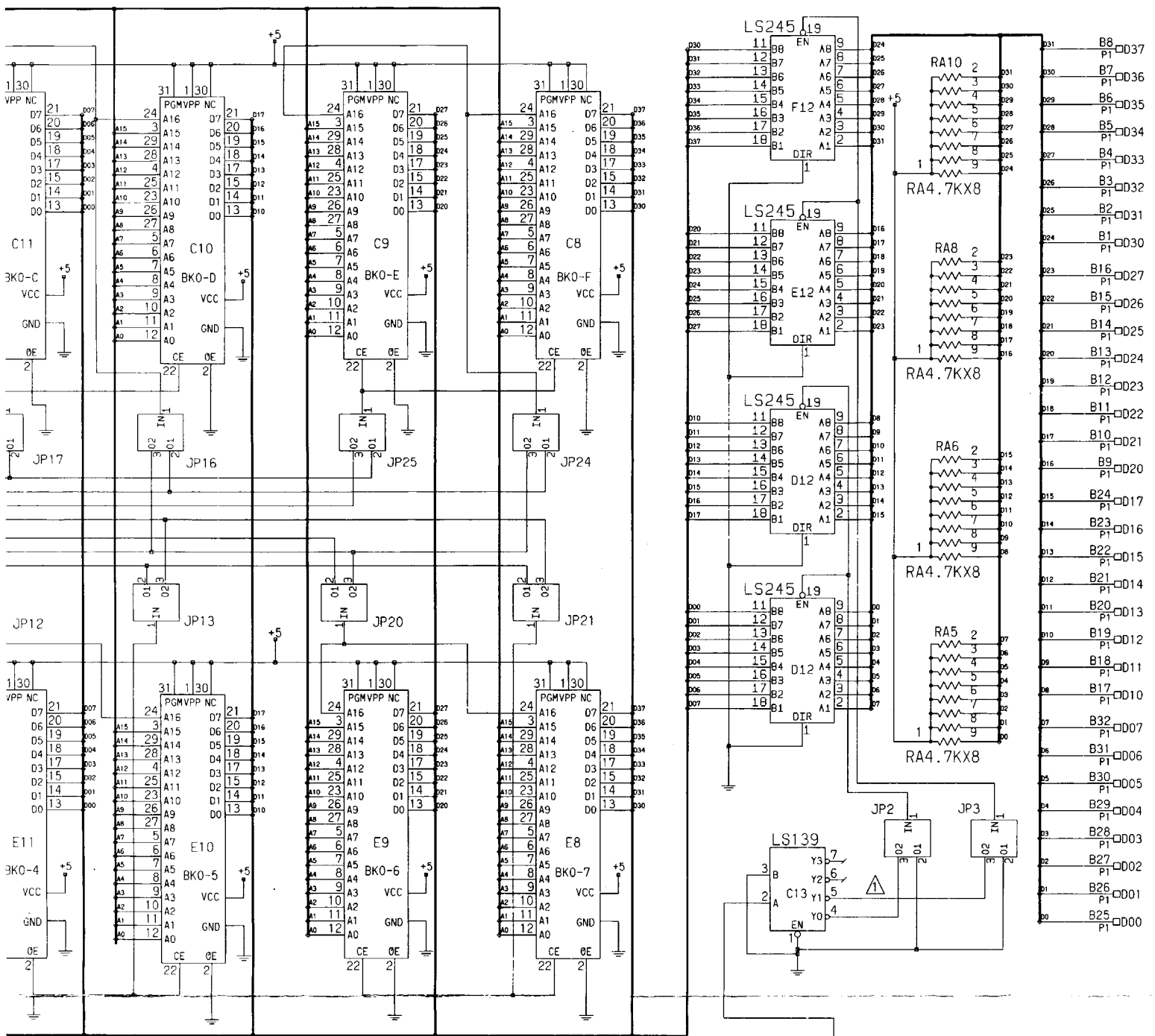
B

C

D

E

F

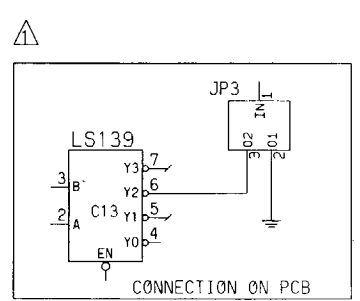
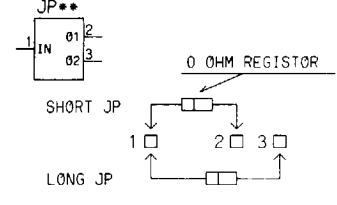


- NOTE -

- +5 VCC +5V
- ⊥ GND
- P1 □ CN1: DIN64PIN PLUG
- P2 □ CN2: DIN64PIN PLUG OR DIN48PIN PLUG
- P3 □ CN3: DIN64PIN PLUG
- P4 □ CN4: DIN64PIN PLUG

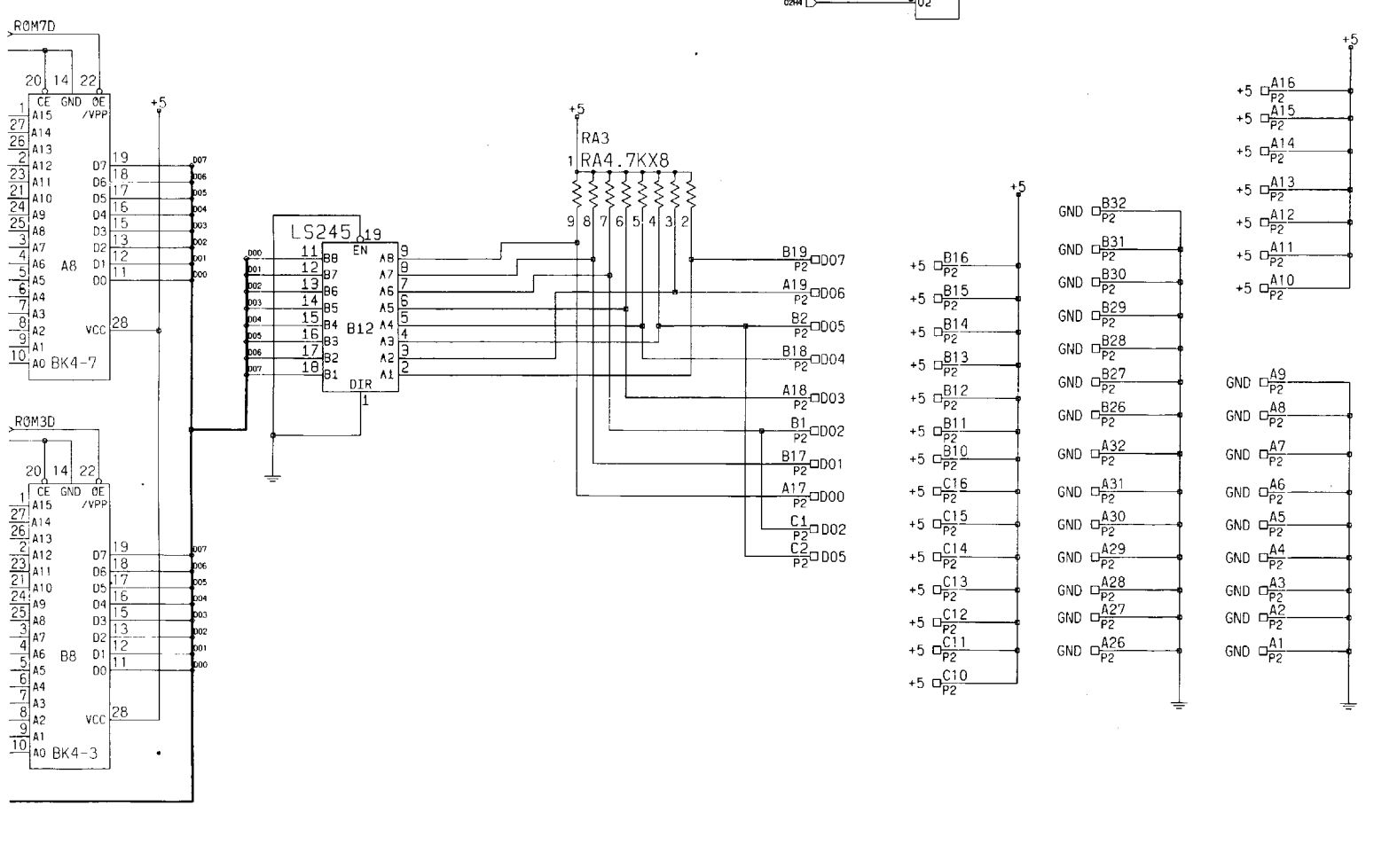
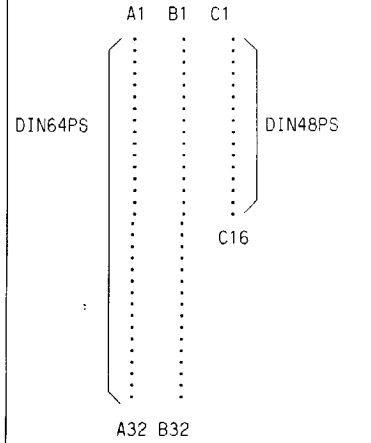
KIND OF CAPACITOR
E: ELECTROLYTIC

HOW TO USE JUMPER



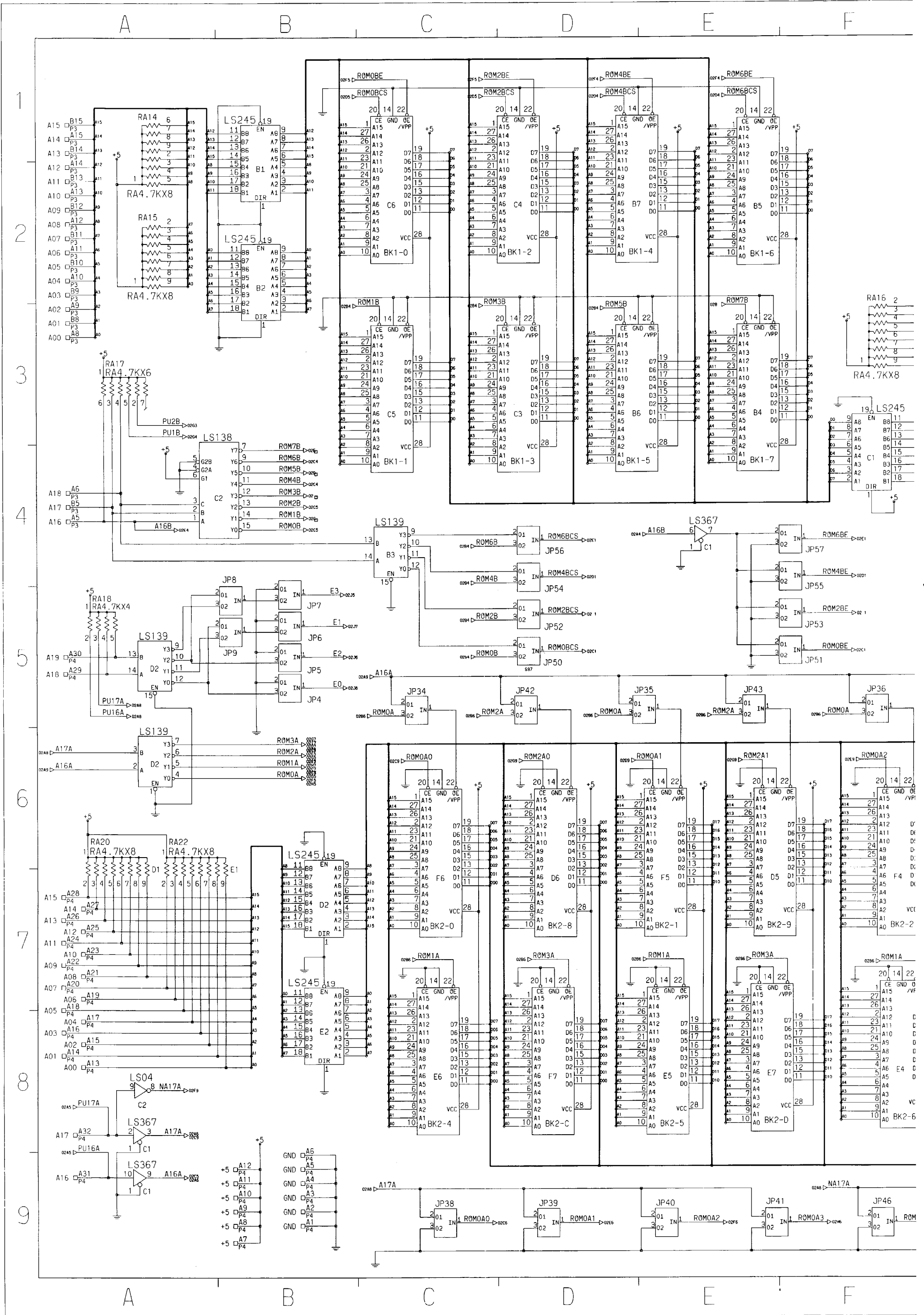
• IF YOU USE THE 16BIT LOAD . THEN YOU MUST TO REPAIR THIS CONNECTION

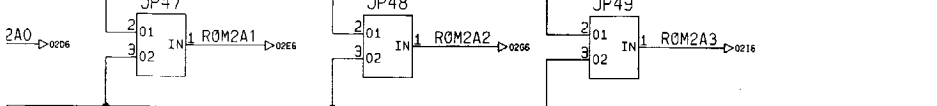
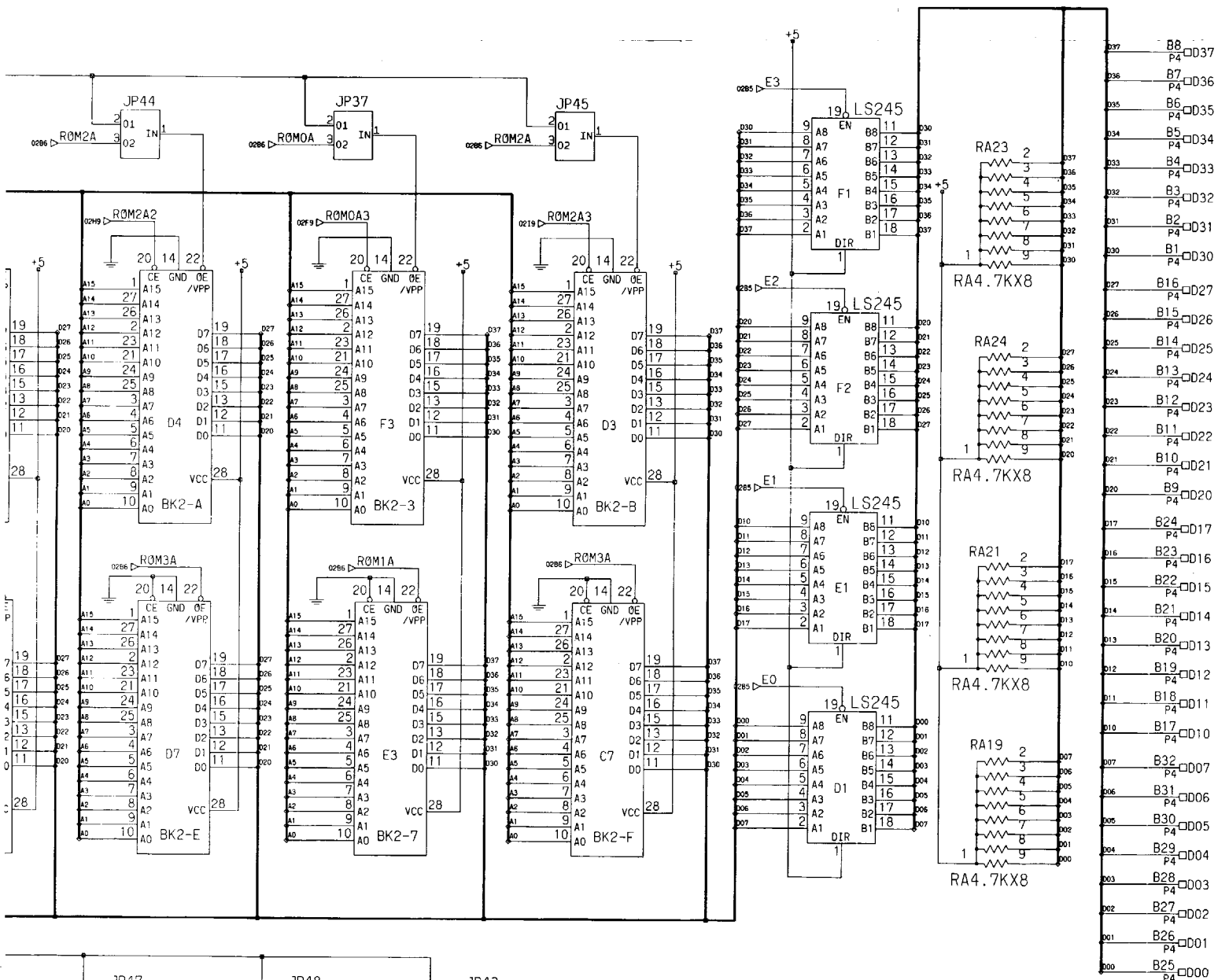
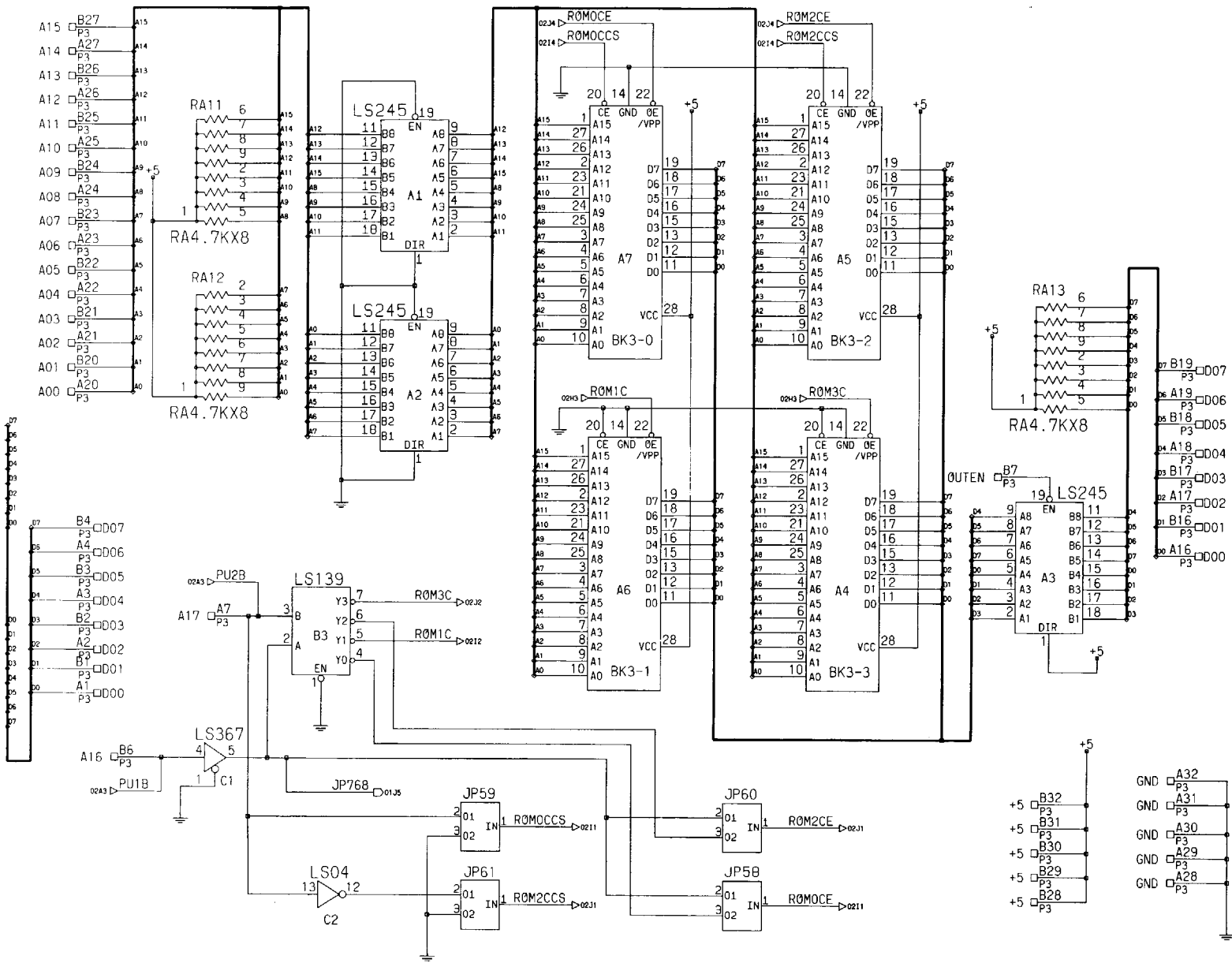
HOW TO USE P2 (CN2)



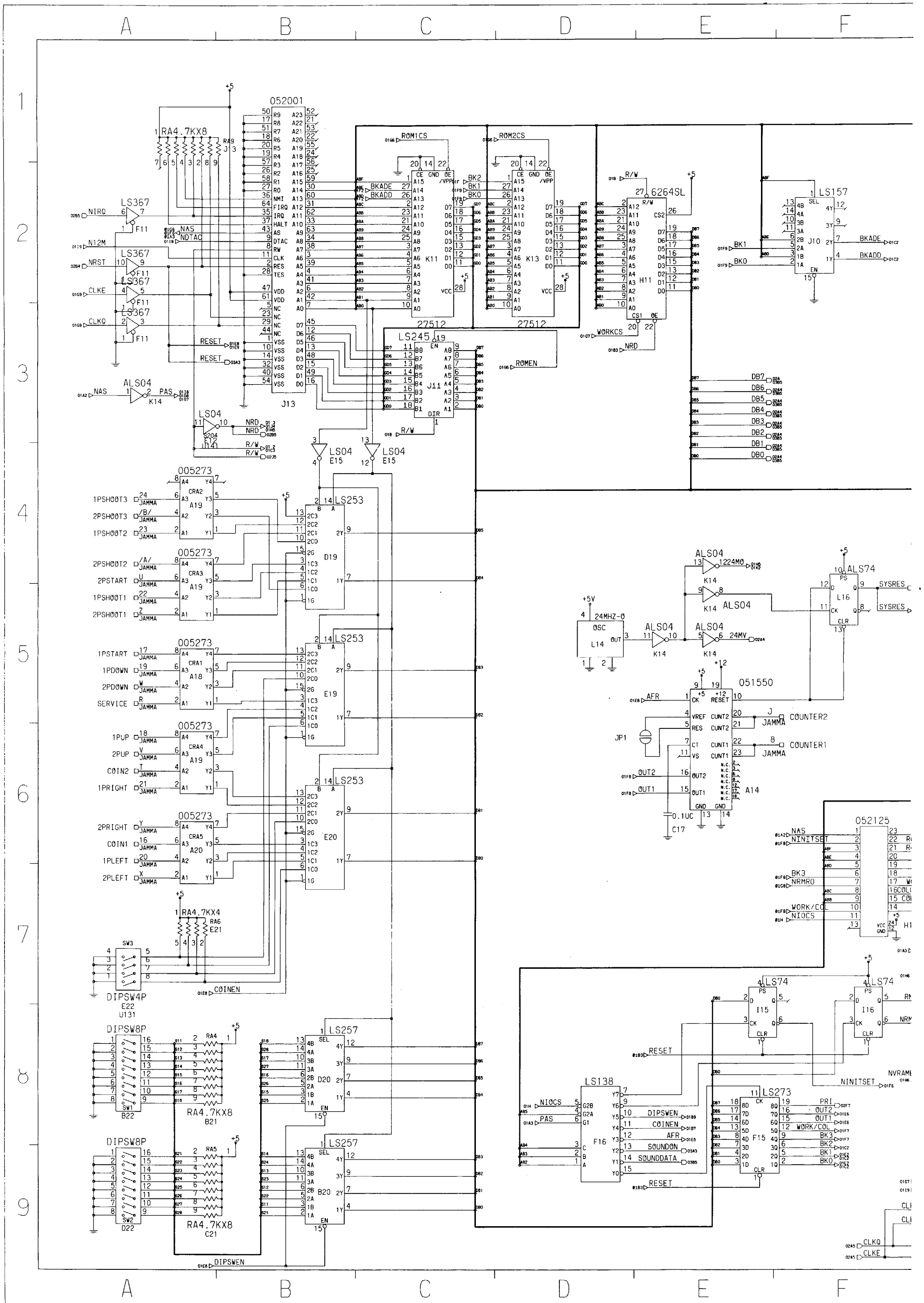
SUPER CONTRA

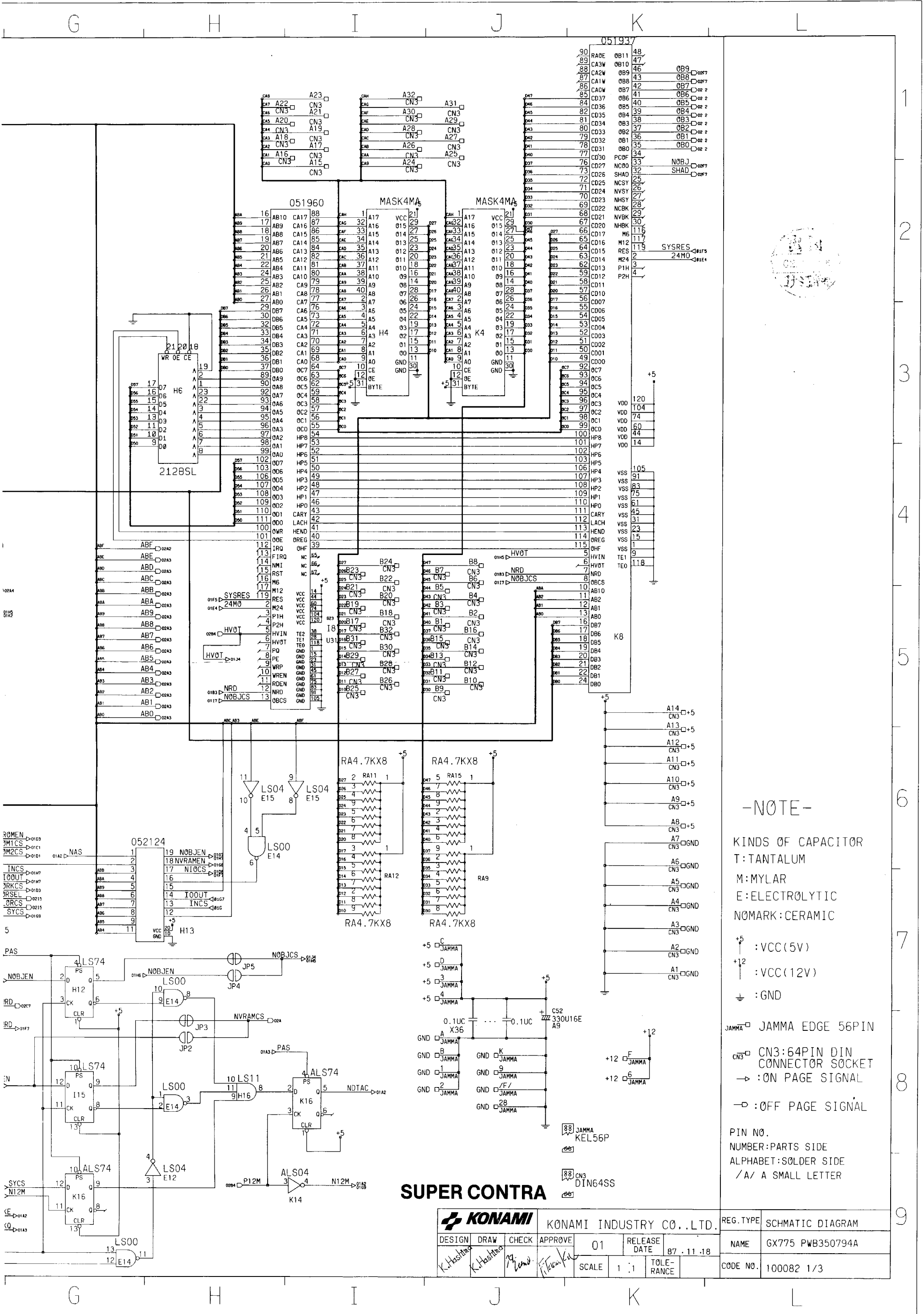
| | | | | | | | |
|-----------|-------------|-------|---------|---------------------------|---------------|-----------|-------------------------|
| | | | | KONAMI INDUSTRY CO., LTD. | | REG. TYPE | SCHEMATIC DIAGRAM |
| DESIGN | DRAW | CHECK | APPROVE | RELEASE DATE | | NAME | ROM BOARD 34M PWB350958 |
| S. YASUDA | T. MATSUURA | | | SCALE 1:1 | TOLE-RANCE A1 | CODE NO. | 100087 1/2 |





| | | | | | | | |
|---------------|-------------|----------------|----------------|---------------------------|---------------|----------------------------|-------------------|
| KONAMI | | | | KONAMI INDUSTRY CO., LTD. | | REG. TYPE | SCHEMATIC DIAGRAM |
| DESIGN | DRAW | CHECK | APPROVE | RELEASE DATE | NAME | ROM BOARD 34M PWB350958 | |
| S. YASUDA | T. MATSUURA | <i>R. Uchi</i> | <i>H. Uchi</i> | SCALE 1:1 | TOLE-RANCE A1 | CODE NO. | 100087 2/2 |





-NOTE-

KINDS OF CAPACITOR
T:TANTALUM
M:MYLAR
E:ELECTROLYTIC
NOMARK:CERAMIC

+5 : VCC(5V)
+12 : VCC(12V)
⊥ : GND

JAMMA □ JAMMA EDGE 56PIN
CN3 □ CN3:64PIN DIN CONNECTOR SOCKET
→ : ON PAGE SIGNAL
⇝ : OFF PAGE SIGNAL

PIN NO.
NUMBER:PARTS SIDE
ALPHABET:SOLDER SIDE
/A/ A SMALL LETTER

SUPER CONTRA

| | | | | | | | |
|---------------|-----------|----------|----------|--------------------------|--------------|------------|---------------------|
| KONAMI | | | | KONAMI INDUSTRY CO.,LTD. | | REG. TYPE | SCHMATIC DIAGRAM |
| DESIGN | DRAW | CHECK | APPROVE | 01 | RELEASE DATE | NAME | GX775 PWB350794A |
| K.Hashino | K.Hashino | M. Iwano | T. Iwano | SCALE | 1:1 | DATE | 87.11.18 |
| | | | | SCALE | 1:1 | TOLE-RANCE | CODE NO. 100082 1/3 |

A B C D E F

1

2

3

4

5

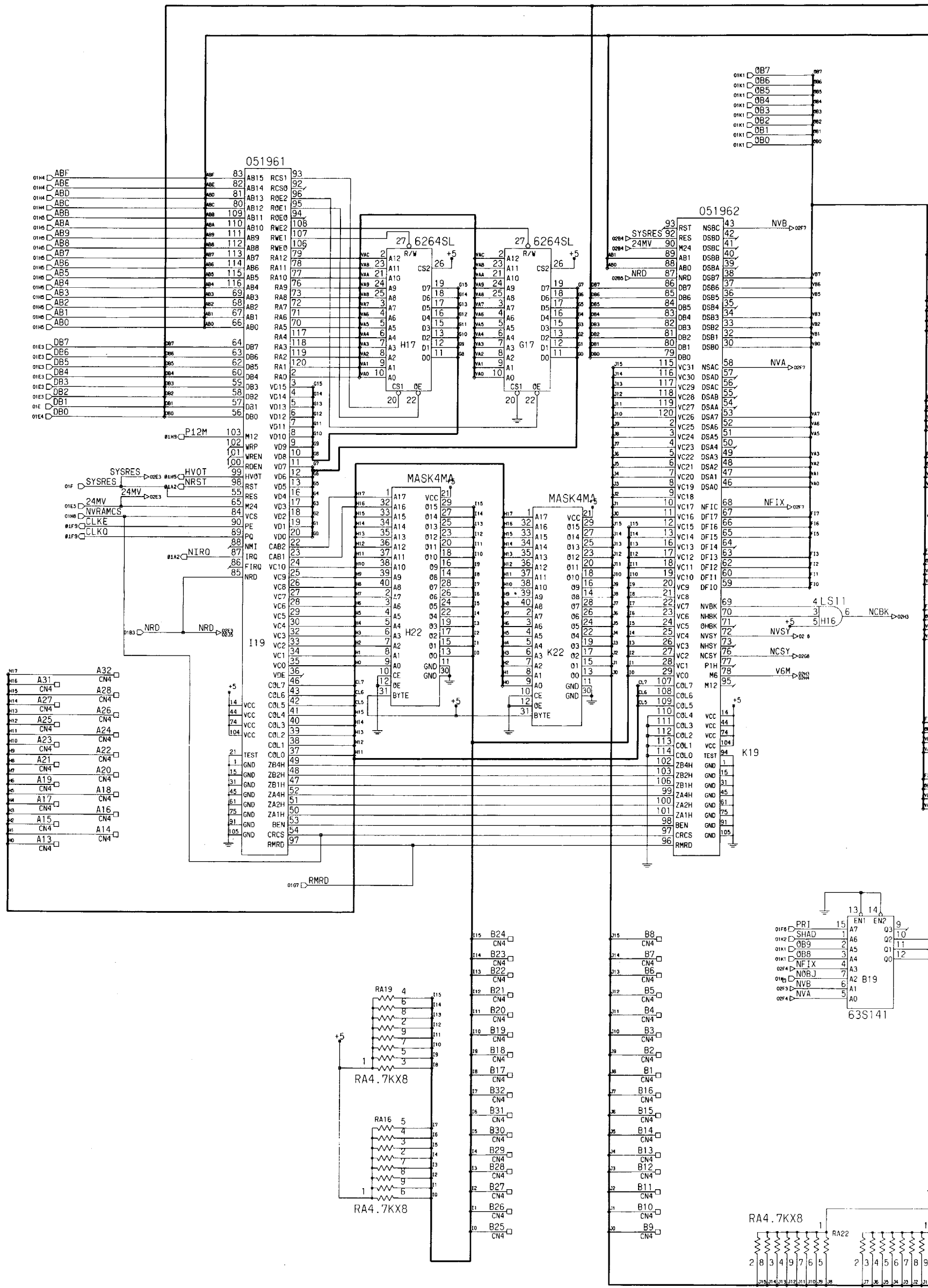
6

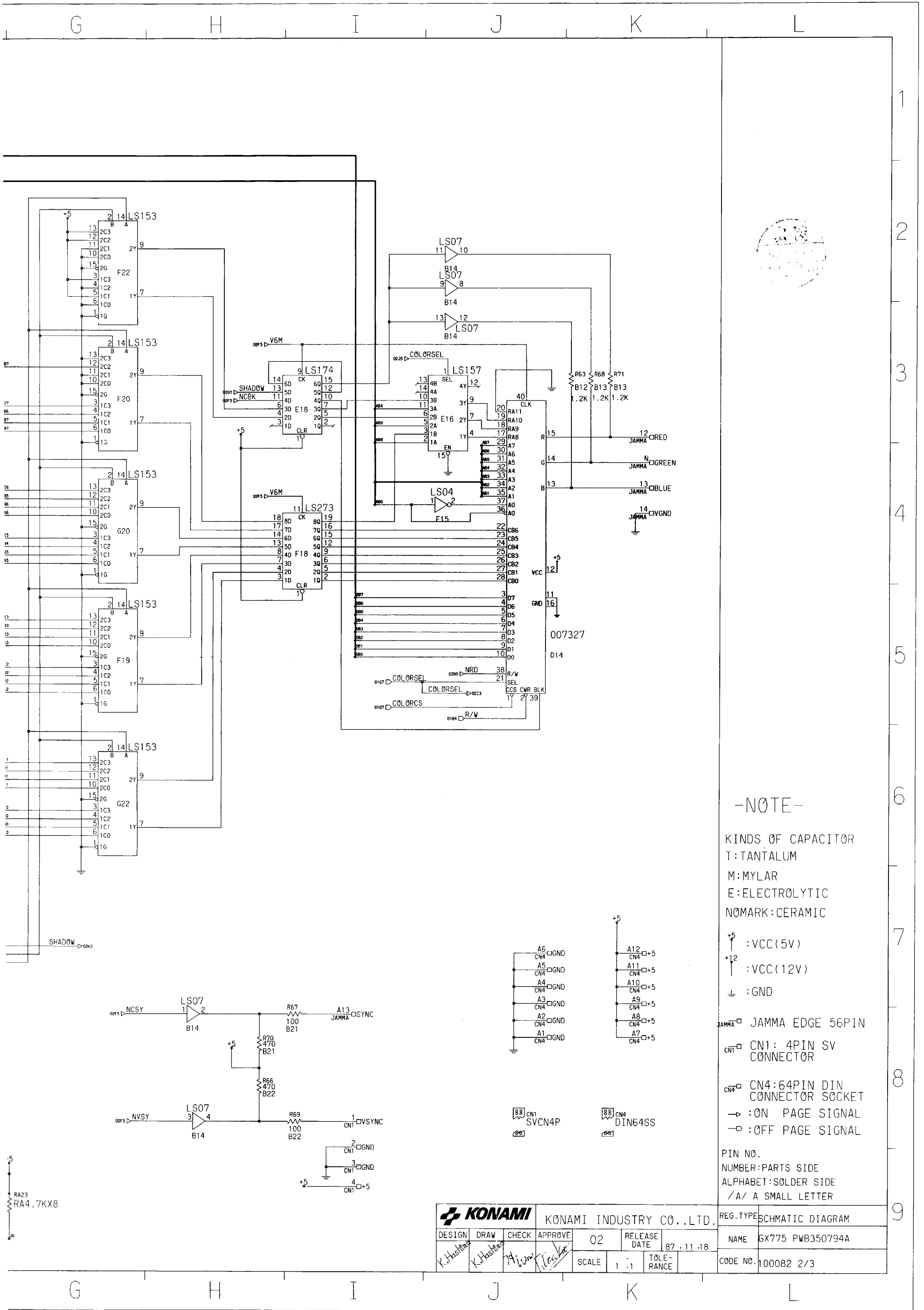
7

8

9

A B C D E F





-NOTE-

KINDS OF CAPACITOR
 T:TANTALUM
 M:MYLAR
 E:ELECTROLYTIC
 NØMARK:CERAMIC

+5 :VCC(5V)
 +12 :VCC(12V)
 ⚡ :GND

JAMMA □ JAMMA EDGE 56PIN

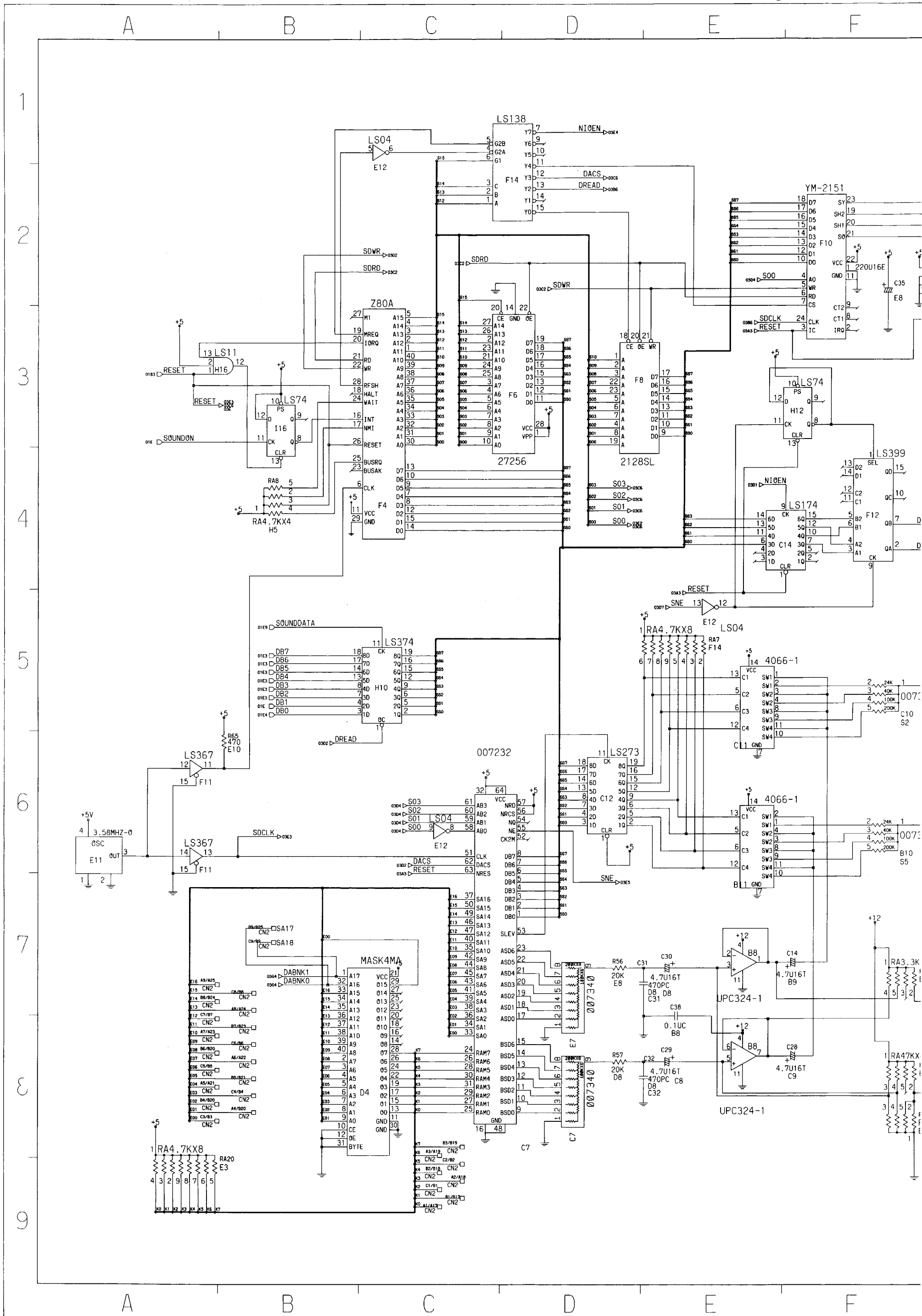
CNT □ CN1: 4PIN SV CONNECTOR

CN4 □ CN4:64PIN DIN CONNECTOR SOCKET

→ :ON PAGE SIGNAL
 □ :OFF PAGE SIGNAL

PIN NO.
 NUMBER:PARTS SIDE
 ALPHABET:SOLDER SIDE
 /A/ A SMALL LETTER

| | | | | | | | | |
|---------------|------|-------|---------|--------------------------|--------------|------------|-----------|------------------|
| KONAMI | | | | KONAMI INDUSTRY CO.,LTD. | | | REG. TYPE | SCHMATIC DIAGRAM |
| DESIGN | DRAW | CHECK | APPROVE | 02 | RELEASE DATE | 87.11.18 | NAME | GX775 PWB350794A |
| | | | SCALE | | 1:1 | TOLE-RANCE | CODE NO. | 100082 2/3 |



USER INFORMATION
WARNING
F. C. C. REGULATION COMPLIANCE

THIS KIT IS INTENDED FOR USE ONLY ON COIN-OPERATED VIDEO GAMES MANUFACTURED AFTER OCTOBER 1, 1983 WHICH HAVE BEEN VERIFIED FOR COMPLIANCE WITH REQUIREMENTS IN PART 15 OF F.C.C. RULES FOR A CLASS A COMPUTING DEVICE.

IMPROPER CONNECTION OF THIS KIT OR CONNECTION TO ANY OTHER GAME NOT SO MANUFACTURED OR VERIFIED FOR COMPLIANCE MAY CAUSE UNACCEPTABLE INTERFERENCE TO RADIO AND T.V. RECEPTION, REQUIRING THE OPERATOR TO TAKE WHATEVER STEPS ARE NECESSARY TO CORRECT THE INTERFERENCE.

THE P.C. BOARD CAGE SUPPLIED WITH THIS CONVERSION KIT MUST BE UTILIZED AND TERMINATED TO GROUND AT THE TIME OF INSTALLATION.



815 Mittel Drive, Wood Dale, Illinois 60191
Telephone: (312) 595-1443, Telex: 6871385 KONAM UW, Fax: (312) 595-2973