

SEGA[®]

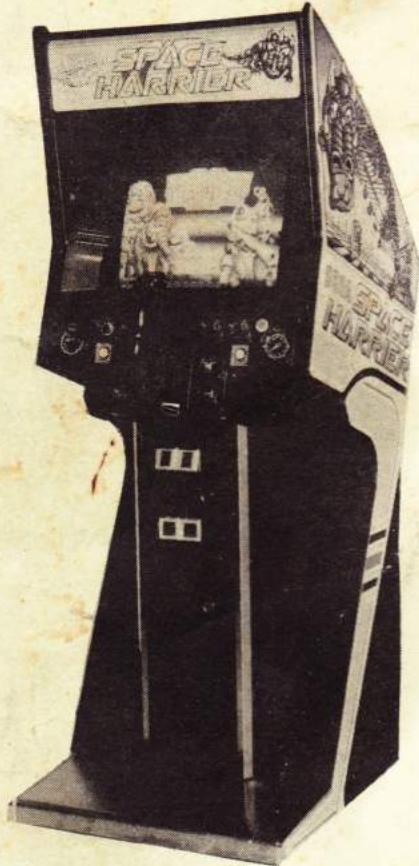
SPACE HARRIER

OWNER'S MANUAL

SIT-DOWN TYPE



UPRIGHT TYPE



SEGA ENTERPRISES, LTD.

TABLE OF CONTENTS

INTRODUCTION OF THE OWNER'S MANUAL	1
1. HANDLING PRECAUTIONS	1
2. PREVENTION OF COUNTERFEITING AND CONVERSION	2
3. PRECAUTIONS CONCERNING THE PLACE OF INSTALLATION	3
4. NAME OF PARTS	4
5. ADJUSTMENT OF THE SADDLE UNIT (SIT-DOWN TYPE)	5
6. REMOVING THE CONTROL UNIT	6
7. ASSEMBLING THE HANDLE UNIT	7
8. REPLACEMENT AND ADJUSTMENT OF THE CONTROL UNIT'S VR (VARIABLE RESISTOR)	8~9
9. EPROM / ROM LOCATION	10~11
10. DIP SWITCH SETTING	12
11. SELF-TESTING	13~19
12. PARTS CATALOG	20~45
13. SCHEMATIC DIAGRAM (SIT-DOWN TYPE)	46
14. SCHEMATIC DIAGRAM (UPRIGHT TYPE)	47

SIT-DOWN TYPE

SPECIFICATIONS

INSTALLATION SPACE	: 660 mm (26 in.) W×1483~1633 mm (58.4 in.~64.3 in.) D
HEIGHT	: 1570 mm (61.8 in.)
POWER	: 230 W
C. R. T.	: 20"
WEIGHT	: 120 kg (264.6 lbs)

UPRIGHT TYPE

SPECIFICATIONS

INSTALLATION SPACE	: 660 mm (26 in.) W×920 mm (36.2 in.) D
HEIGHT	: 1790 mm (70.5 in.)
POWER	: 230 W
C. R. T.	: 20"
WEIGHT	: 110 kg (242.5 lbs)

NOTE

- o Descriptions herein contained may be subject to improvement changes without notice.

INTRODUCTION OF THE OWNER'S MANUAL

SEGA ENTERPRISES, LTD., supported by its high electronic technology of LSIs, microprocessors, etc. and a wealth of experience, has for more than 30 years been supplying various innovative and popular game machines to the world market. This OWNER'S manual is intended to provide detailed comments together with all the necessary information covering the operation in general of electronic assemblies, electromechanicals, servicing control, spare parts, etc. as regards the SPACE HARRIER, a new SEGA product. The manual is intended for those who have knowledge of electricity and technical expertise especially in ICs, CRTs, microprocessors, etc. Carefully read so as to acquire sufficient knowledge before working on the machine. Should there be a malfunction, non-technical personnel should under no circumstance touch the interior system.

1. HANDLING PRECAUTIONS

When installing or inspecting, be very careful of the following points and pay attention to ensure that the player can enjoy the game safely.

- o Be sure to turn the power off before working on the machine.
- o To insert or pull out the plug quickly is dangerous.
- o It is necessary to make sure that the power cord or the grounding wire is not exposed on the road, etc. in a manner so as to be dangerous. Make sure that grounding connections are made safely at the position where so specified.
- o Do not use any fuse that does not meet the specified rating.
- o Make complete connections for the IC board and other connectors. Insufficient insertion is very dangerous.

Also, for the IC board circuit inspections, only the logic tone is allowed. The use of a tester is not permitted so be careful in this regard. After confirming that there are no irregularities, turn the power ON.

2. PREVENTION OF COUNTERFEITING AND CONVERSION

LABELLING

To prevent counterfeits and conversions, the following labels are put on all the SEGA products. When handling such goods, be sure to confirm the labels. They are used to prevent illegal acts such as the unauthorized copying of the products and the printed circuit boards thereof or carrying on business by manufacturing similar merchandise or by converting, selling or using such products or printed circuit boards.

ORIGINAL SEAL

The following seal is put on the machines manufactured by SEGA.



LICENCE SEAL

The following seal is put on the kits, such as the printed circuit boards, of SEGA products.



COPYRIGHT NOTICE

This SEGA product has the copyright notice as follows:

© SEGA 1985

This signifies that this work was disclosed in 1985 and is the property of SEGA ENTERPRISES, LTD.

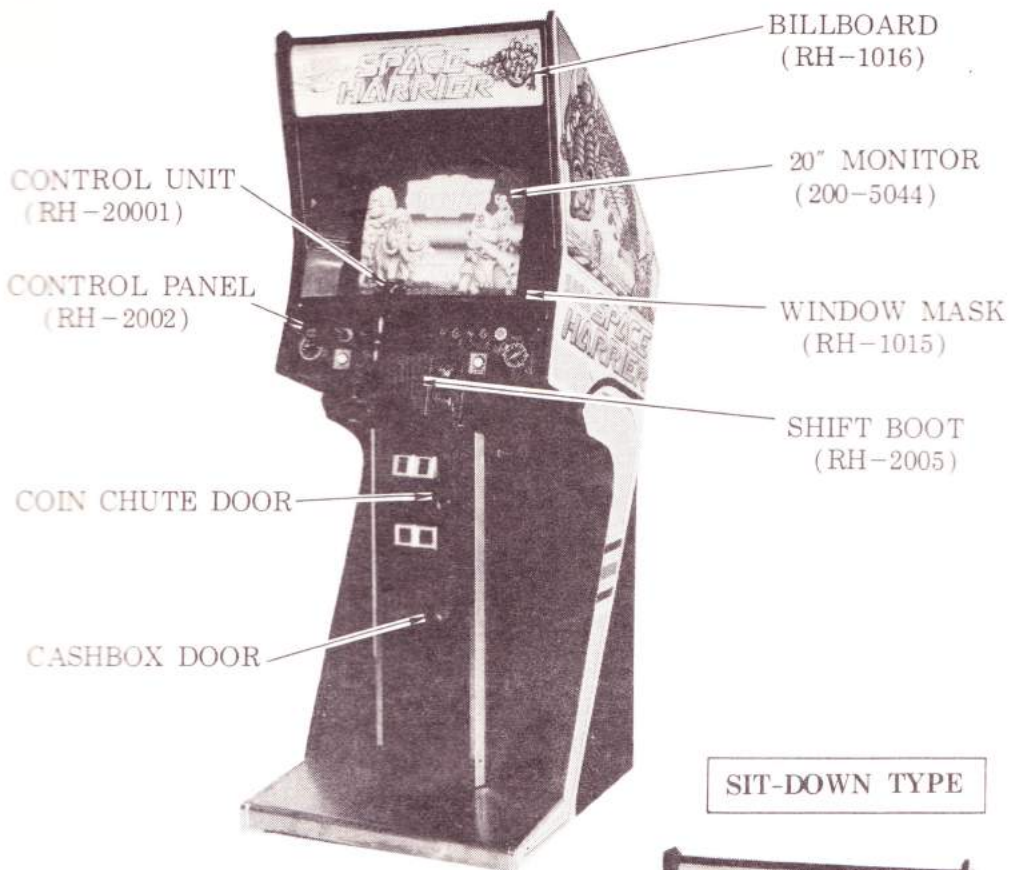
3. PRECAUTIONS CONCERNING THE PLACE OF INSTALLATION

The SPACE HARRIER is an indoor game machine. Absolutely do not install it outside. Even indoors, avoid installing in places mentioned below so as to ensure proper usage:

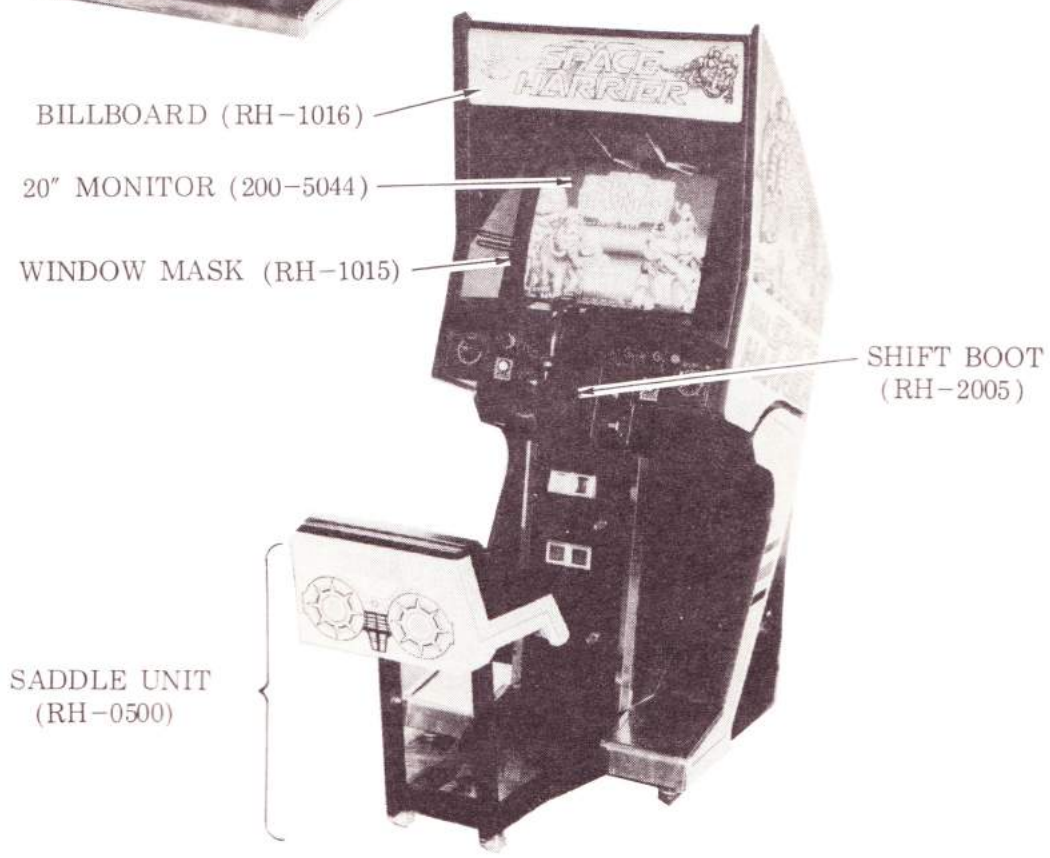
- o Places subject to rain or water leakage, or condensation due to humidity.
- o In the proximity of an indoor swimming pool and/or shower.
- o Places subject to direct sunlight.
- o Places subject to heat sources from heating units, etc., or hot air.
- o Vicinity of highly inflammable/volatile chemicals or hazardous matter.
- o Sloped surfaces.
- o Vicinity of anti-disaster facilities such as fire exits and fire extinguishers.
- o Places subject to any type of violent impact.
- o Dusty places.

4. NAME OF PARTS

UPRIGHT TYPE

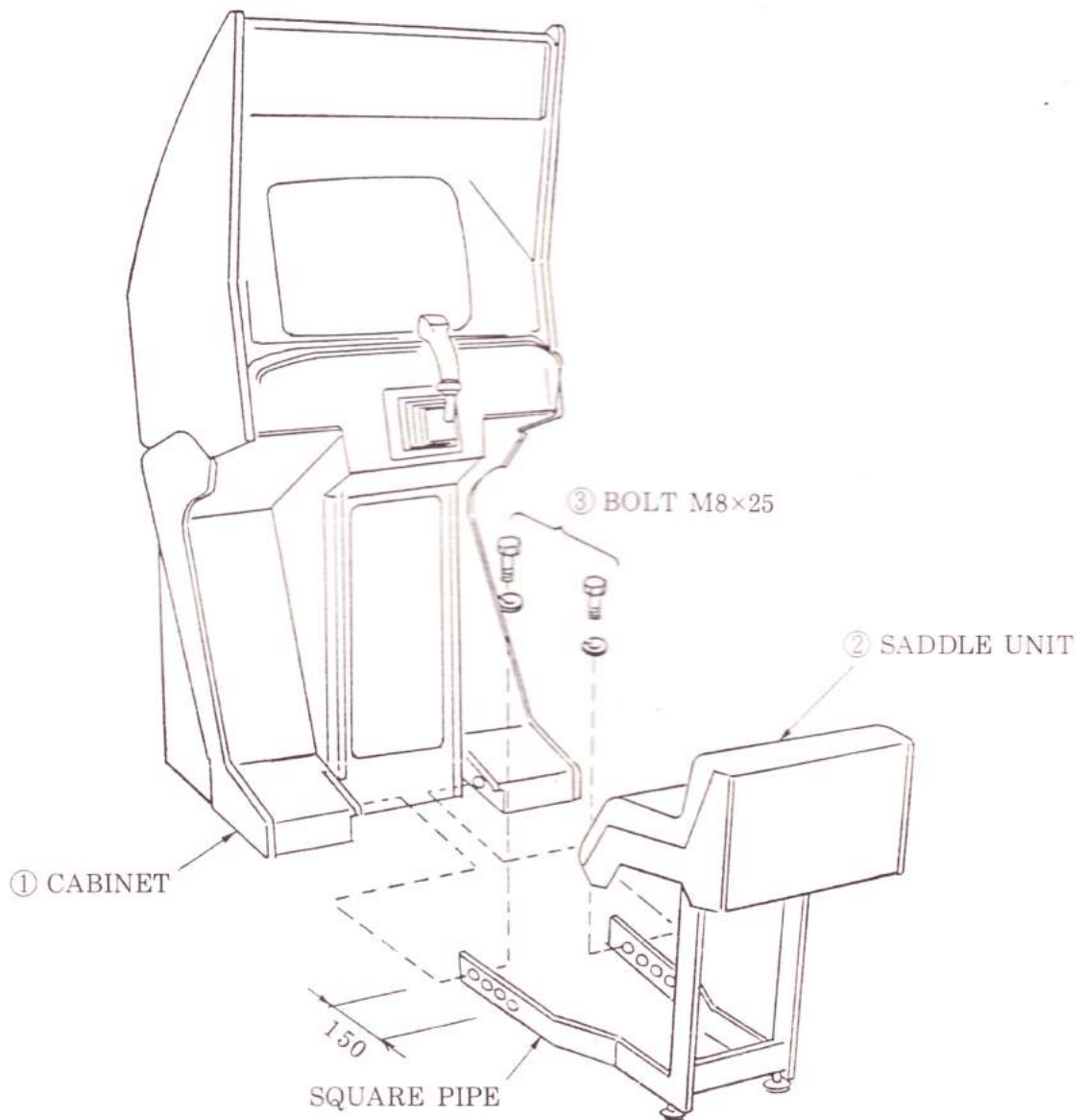


SIT-DOWN TYPE



5. ADJUSTMENT OF THE SADDLE UNIT (SIT-DOWN TYPE)

The saddle installation position can be adjusted within a maximum range of 150 mm.

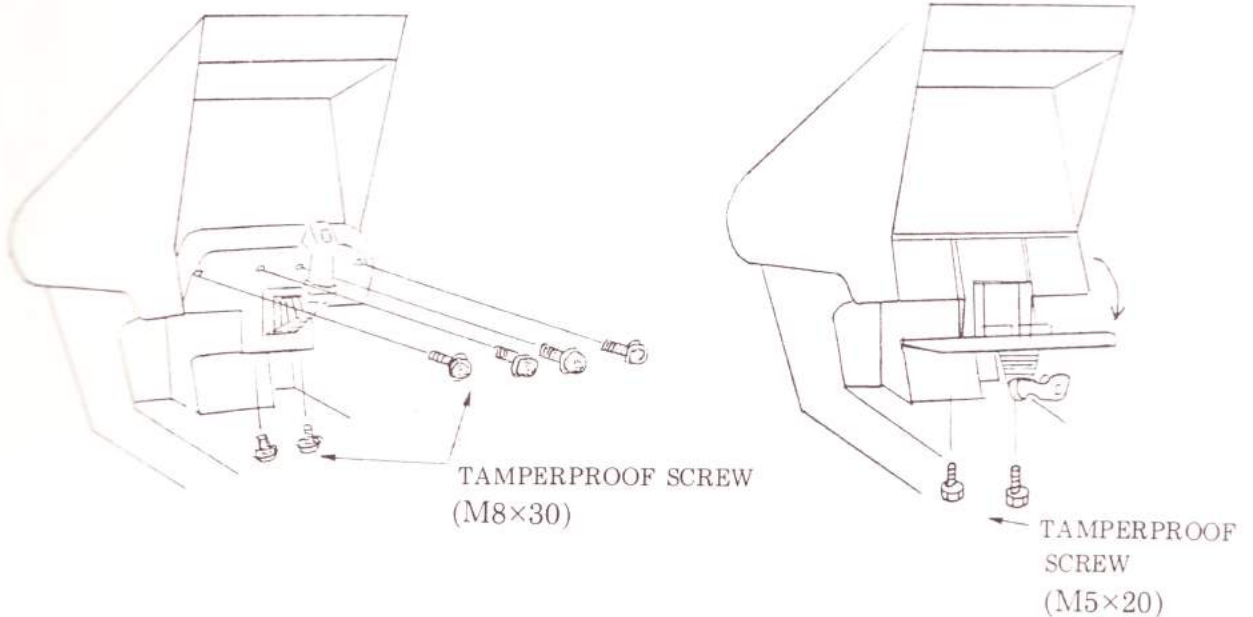


ADJUSTMENT PROCEDURE

1. Remove 2 bolts ③ that secure the main cabinet ① and saddle unit ②.
2. Change the square pipe's insertion position and then fasten the pipe.
3. The saddle installation position in relation to the cabinet can be changed in 4 steps.

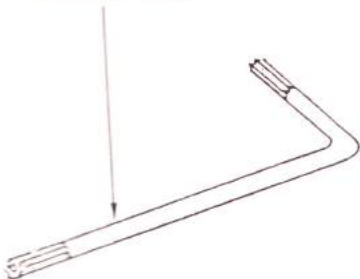
6. REMOVING THE CONTROL UNIT

- o Take off 3 tamperproof screws M5 x 20 and 6 tamperproof screws M8 x 30 to remove the control unit from the cabinet.
- o Next open it towards you.
- o The VR (variable resistor(s)) and the lamp(s) can then be replaced.
- o When closing the unit, be careful so as not to catch the wires, etc.

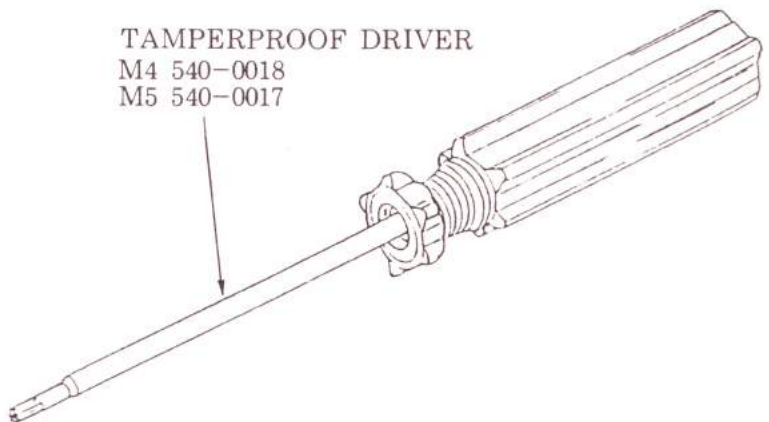


TOOLS

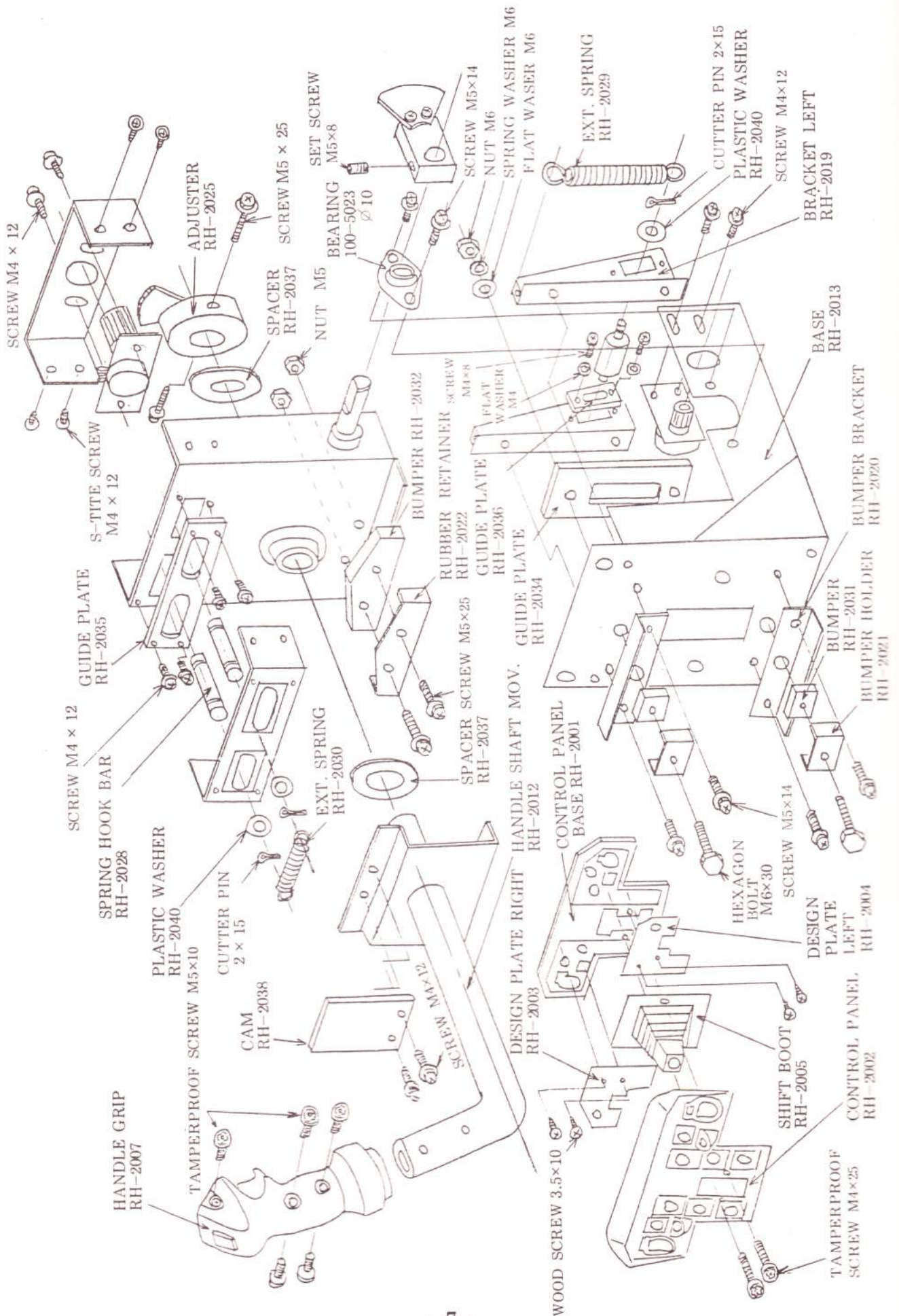
TAMPERPROOF WRENCH
M4 540-0006
M5 540-0007
M8 540-0009



TAMPERPROOF DRIVER
M4 540-0018
M5 540-0017



7. ASSEMBLING THE HANDLE UNIT

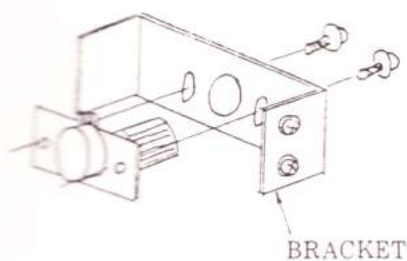


8. REPLACEMENT AND ADJUSTMENT OF THE CONTROL UNIT'S VR (VARIABLE RESISTOR)

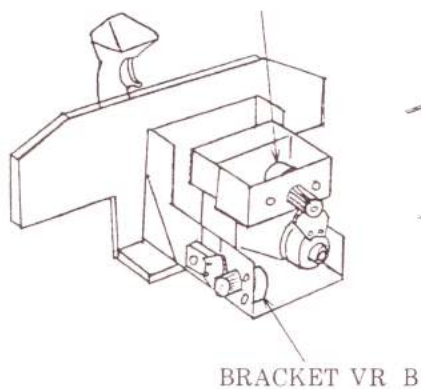
o REPLACEMENT OF VR

Take off the 2 screws that secure the bracket.

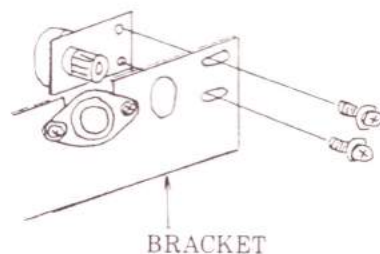
VR A
(Left and right)



VR A
(Left and right)

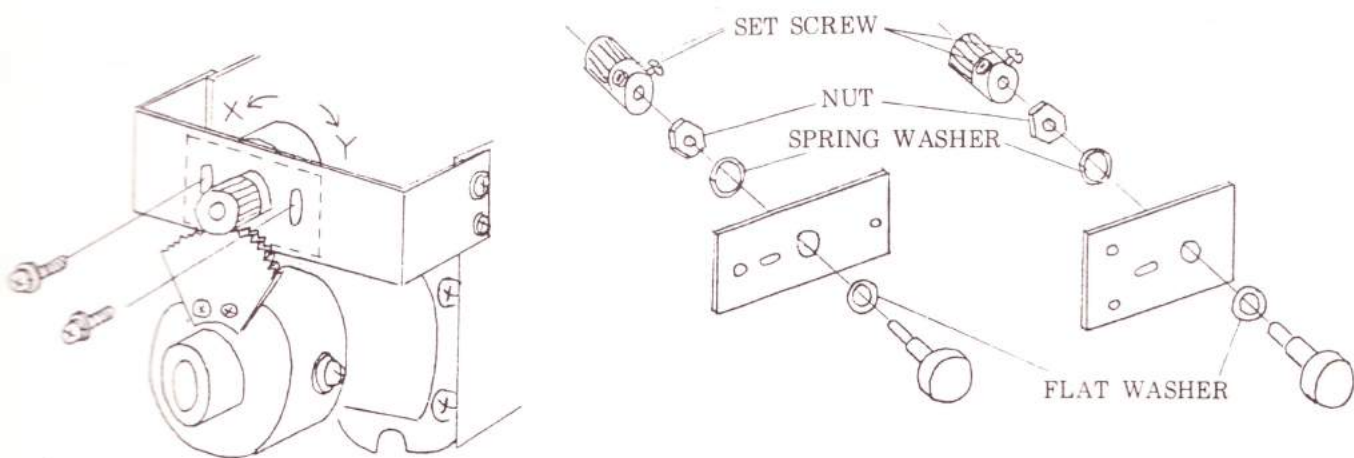


Volume B
(Upper and lower)

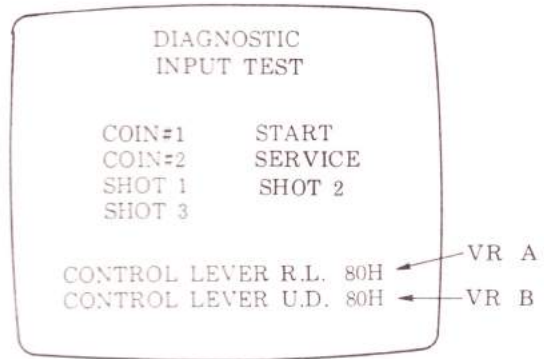
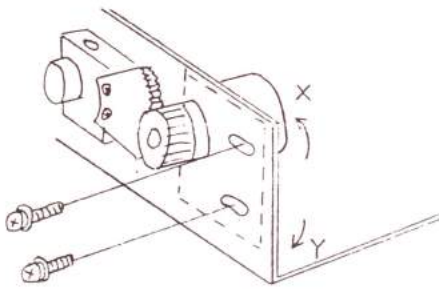


o VR ADJUSTMENTS

When replacing the VR, make adjustments as follows:



- o Release the 2 set screws that secure the gear, remove the nut and spring washer, and replace the VR.



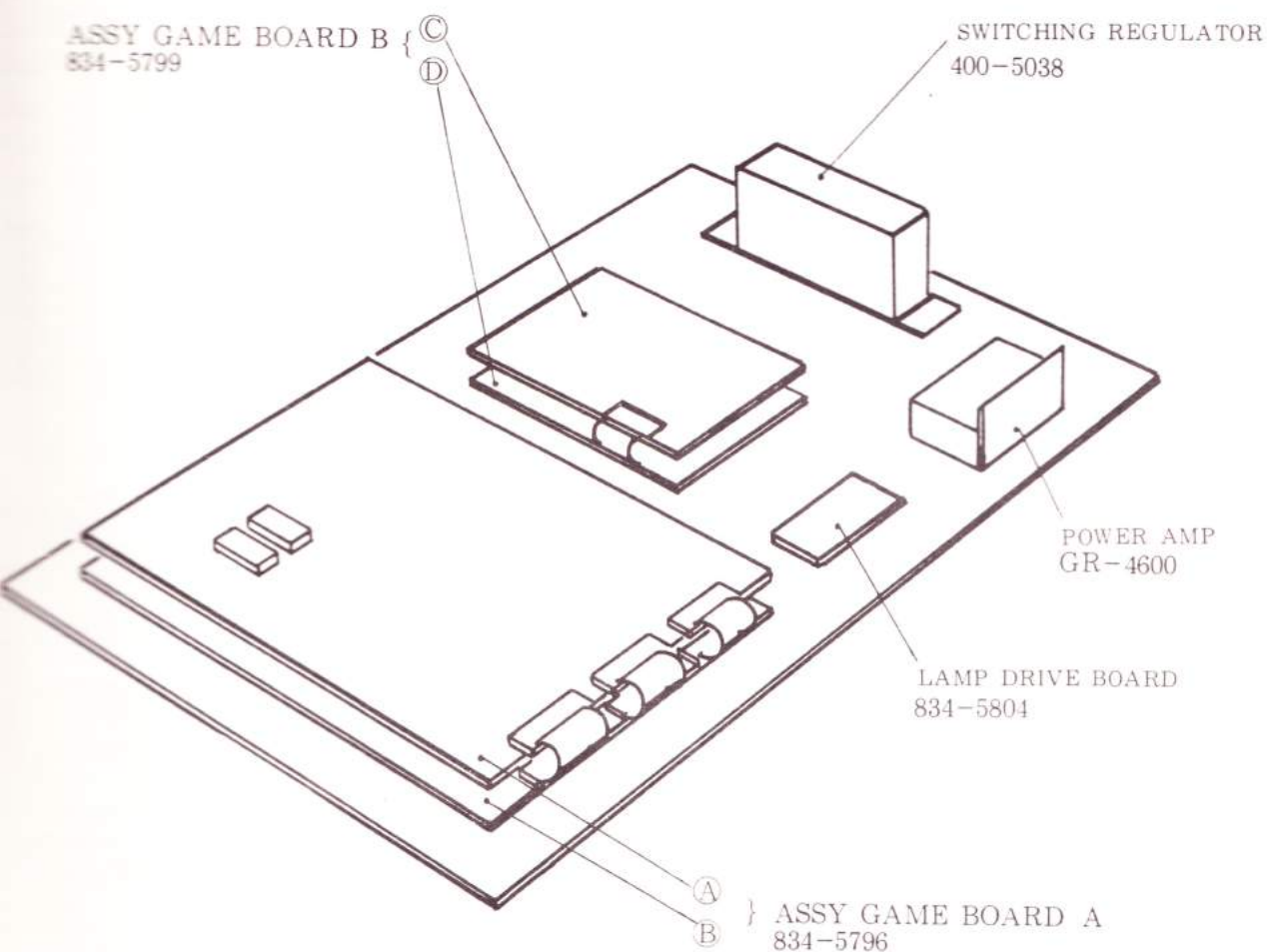
1. Show the above display in the SELF-TEST MODE.
2. Bring the control lever to the center position, release the bracket fastening screws, and then turn the bracket to the X or Y direction.
3. Secure the BRACKET when the variables are within the range as shown in the test mode.
4. Fasten the bumper in a manner so that the maximum variable is less than 25H and over DBH when the control lever is moved to the right, left, forward and backward in the test mode.

VARIABLE'S ADJUSTMENT RANGE

7C 7D 7E 7F 80H 81H 82H 83H 84H

----Make adjustment in this range----

3. EPROM / ROM LOCATION

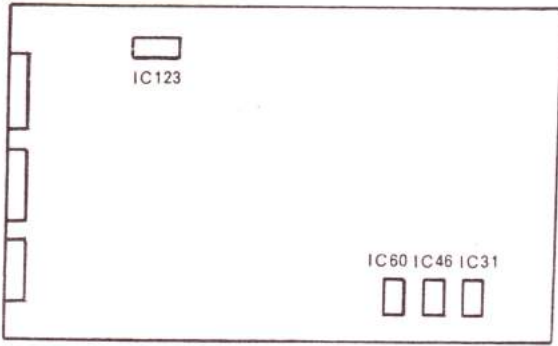


ASSY POWER SUPPLY & BOARD (RH-4100)

A ASSY CPU BD 834-5797

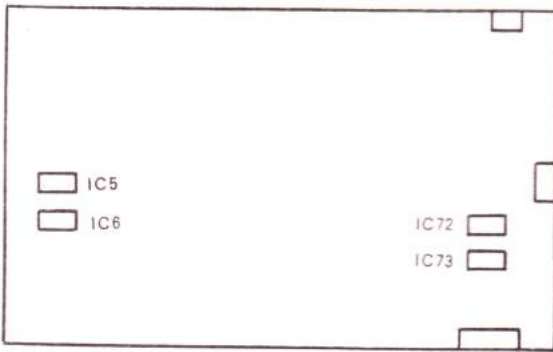
	IC LOCATIONS	NUMBERS	MAIN FUNCTIONS
1	IC 2	EPR - 7181	Road Character
2	IC 54	EPR - 7182	SubProgram
3	IC 67	EPR - 7183	SubProgram
4	IC 84	EPR - 7184	Main Program
5	IC 85	EPR - 7185	"
6	IC 86	EPR - 7186	"
7	IC 87	EPR - 7187	"
8	IC 97	EPR - 7188	"
9	IC 98	EPR - 7189	"
10	IC 99	EPR - 7190	"
11	IC100	EPR - 7191	"

(B) ASSY CONTROL BD 834-5798



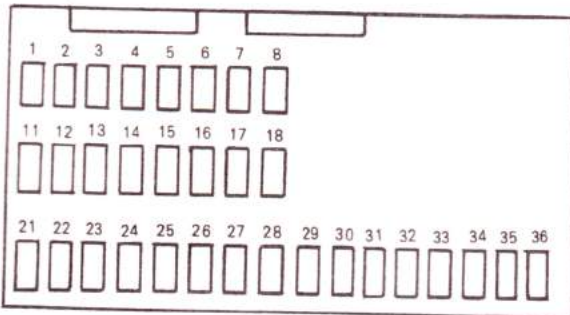
	IC LOCATIONS	NUMBERS	MAIN FUNCTIONS
1	IC 31	EPR-7196	Fixed Scroll Character
2	IC 46	EPR-7197	"
3	IC 60	EPR-7198	"
4	IC123	EPR-6844	Zoom Data

(C) ASSY SOUND BD 834-5903



	IC LOCATIONS	NUMBERS	MAIN FUNCTIONS
1	IC 5	EPR-7231	Sound Data
2	IC 6	EPR-7232	"
3	IC 72	EPR-7233	Sound Program
4	IC 73	EPR-7234	"

(D) ASSY ROM BD 834-5800



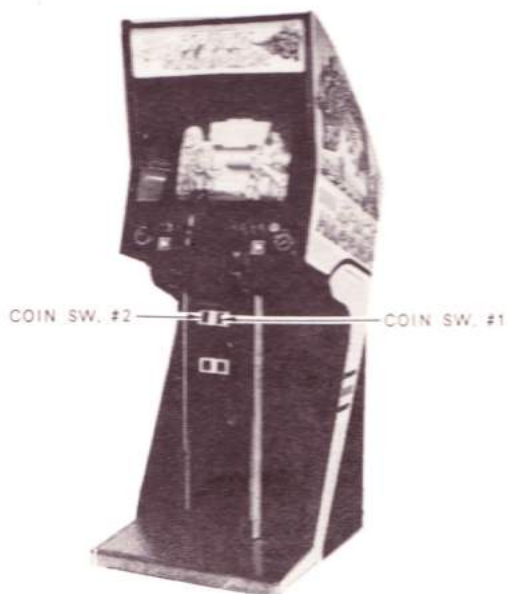
	IC LOCATIONS	NUMBERS	MAIN FUNCTIONS
1	IC 1	EPR-7199	Scenery Figures
2	IC 2	EPR-7200	
3	IC 3	EPR-7201	
4	IC 4	EPR-7202	
5	IC 5	EPR-7203	
6	IC 6	EPR-7204	
7	IC 7	EPR-7205	
8	IC 8	EPR-7206	
9	IC 11	EPR-7207	
10	IC 12	EPR-7208	
11	IC 13	EPR-7209	
12	IC 14	EPR-7210	
13	IC 15	EPR-7211	
14	IC 16	EPR-7212	
15	IC 17	EPR-7213	
16	IC 18	EPR-7214	
17	IC 21	EPR-7215	
18	IC 22	EPR-7216	
19	IC 23	EPR-7217	
20	IC 24	EPR-7218	
21	IC 25	EPR-7219	
22	IC 26	EPR-7220	
23	IC 27	EPR-7221	
24	IC 28	EPR-7222	
25	IC 29	EPR-7223	
26	IC 30	EPR-7224	
27	IC 31	EPR-7225	
28	IC 32	EPR-7226	
29	IC 33	EPR-7227	
30	IC 34	EPR-7228	
31	IC 35	EPR-7229	
32	IC 36	EPR-7230	

III. DIP SWITCH SETTING

○ GAME PRICE SETTING

DIP SW #1

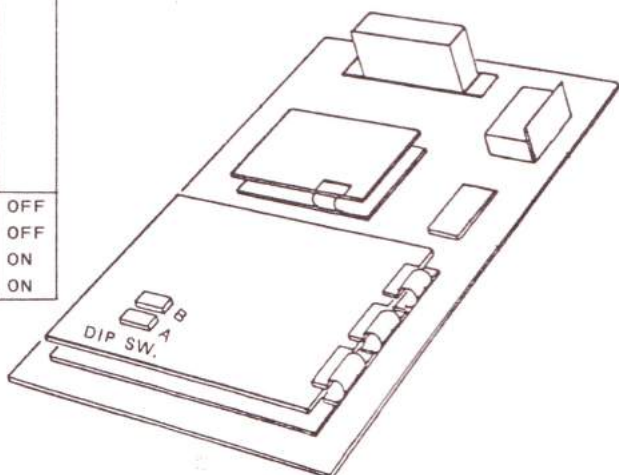
OPTION	1	2	3	4	5	6	7	8
1 COIN 1 CREDIT	OFF	OFF	OFF	OFF	OFF	OFF	OFF	OFF
1 COIN 2 CREDITS	ON	OFF	OFF	OFF	ON	OFF	OFF	OFF
1 COIN 3 CREDITS	OFF	ON	OFF	OFF	OFF	ON	OFF	OFF
1 COIN 4 CREDITS	ON	ON	OFF	OFF	ON	ON	OFF	OFF
1 COIN 5 CREDITS	OFF	OFF	ON	OFF	OFF	OFF	ON	OFF
1 COIN 6 CREDITS	ON	OFF	ON	OFF	ON	OFF	ON	OFF
2 COINS 1 CREDIT	OFF	ON	ON	OFF	OFF	ON	ON	OFF
3 COINS 1 CREDIT	ON	ON	ON	OFF	ON	ON	ON	OFF
4 COINS 1 CREDIT	OFF	OFF	OFF	ON	OFF	OFF	OFF	ON
2 COINS 3 CREDITS	ON	OFF	OFF	ON	ON	OFF	OFF	ON
2 COINS 1 CREDIT	OFF	ON	OFF	ON	OFF	ON	OFF	ON
4 COINS 2 CREDITS								
5 COINS 3 CREDITS								
3 COINS 4 CREDITS								
2 COINS 1 CREDIT	ON	ON	OFF	ON	ON	ON	OFF	ON
4 COINS 3 CREDITS								
1 COIN 1 CREDIT								
2 COINS 2 CREDITS	OFF	OFF	ON	ON	OFF	OFF	ON	ON
3 COINS 3 CREDITS								
4 COINS 4 CREDITS								
5 COINS 6 CREDITS								
1 COIN 1 CREDIT	ON	OFF	ON	ON	ON	OFF	ON	ON
2 COINS 2 CREDITS								
3 COINS 3 CREDITS								
4 COINS 5 CREDITS								
1 COIN 1 CREDIT	OFF	ON	ON	ON	OFF	ON	ON	ON
2 COINS 3 CREDITS								
1 COIN 1 CREDIT	ON	ON	ON	ON	ON	ON	ON	ON
	COIN SW #1				COIN SW #2			



○ OPTION SWITCH SETTING

COIN SW #B

OPTION	1	2	3	4	5	6	7	8
TYPE MOVING	OFF							
SELECT SIT-DOWN	ON							
ADVERTISE	OFF							
SOUND	ON	OFF						
NUMBER OF PLAYERS	3		OFF	OFF				
	2		ON	OFF				
	4		OFF	ON				
	5		ON	ON				
SCORE OF ADD. PLAYERS	5 MILLION				OFF			
	7 MILLION				ON			
TRIAL TIME	OFF					OFF		
	ON					ON		
GAME DIFFICULTY	MEDIUM						OFF	OFF
	EASY						ON	OFF
	HARD						OFF	ON
	HARDEST						ON	ON



11. SELF-TESTING

The main purpose of these tests are to check the operations of the game boards, to find the defects if any, to adjust the monitor colors properly, and to make sure the sounds are produced satisfactorily. It is also performed to indicate the assignments of the dip switches, check bookkeeping functions, etc.

KIND OF TESTS

- 1) Memory Test : To check the EPROM programs and the map area of the RAMs.
- 2) Input Test : To test the operation of the control lever and to check the shot buttons, coin switches, etc.
- 3) Output Test : To test the operation of the start lamp and back lamps.
- 4) Motor Test : Applicable for the MOVING TYPE only, and not the UPRIGHT and SIT-DOWN types.
- 5) Sound Test : To check the quality of the sounds produced by the PCB and the video disc, and adjust the balance of the speakers.
- 6) CRT Test : To check if the colors on the monitor are displayed correctly, and to adjust the linearity.
- 7) Dip Switch
Assignment : To indicate each dip switch assignment.
- 8) Bookkeeping : To indicate information data on average score and average play time, etc.

2. TEST OPERATION

- (1) Push the test switch and Fig. 1 will be shown on the screen.
- (2) Select CONTINUE or INDIVIDUAL by using the START button.

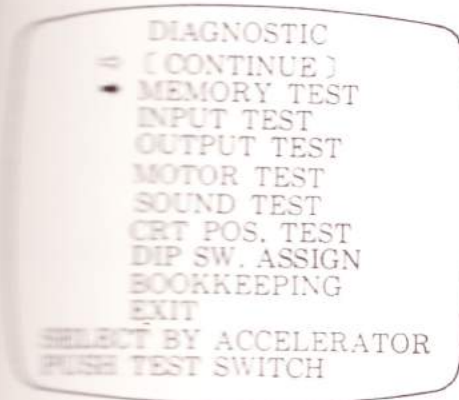


FIG. 1

- (3) Move the accelerator to bring the arrow to the desired position.

SELECT BY ACCELERATOR PUSH TEST SWITCH
(Select the desired test item by using the accelerator and push the test switch button.)

[CONTINUE]:

- o Bring the arrow sign (by operating the control lever) to CONTINUE first, and move it to one of the tests to start. Push the TEST button, and the tests will be performed in order, one by one, starting from the test where the arrow was originally set to the EXIT.
- o If the START button is pushed when the arrow is at CONTINUE, it will change to INDIVIDUAL. Pushing it again returns it to CONTINUE.

[INDIVIDUAL]:

- o If the arrow is at INDIVIDUAL first and brought to a certain test which you want to conduct, only that test is performed by pushing the TEST button.

(4) When each test is finished in the case of CONTINUE, push the TEST button, and it will automatically go into the following test. If the TEST button is pushed in the case of INDIVIDUAL, FIG. 1 is shown. If you want to end the test mode at this time, bring the arrow to EXIT and push the TEST button, and it will return to the ADVERTISEMENT mode.

2. TEST ITEMS

(1) Memory Test:

```
DIAGNOSTIC
MEMORY TEST
**ROMS TEST**
IC 84      IC 85      IC 86
IC 97      IC 98      IC 99
IC 87      IC 67
IC 100     IC 54
**RAMS TEST**
IC 83      IC 113     IC 127
IC 96      IC 112     IC 126
IC 110     IC 136     IC 79
IC 103     IC 135     IC 78
IC 63
```

Indication of "GOOD" following the IC No. means the IC is all right. Push the TEST button to proceed to the following test item.

(2) Input Test

```
DIAGNOSTIC
INPUT TEST

COIN#1      START
COIN#2      SERVICE
SHOT 1      SHOT 2
SHOT 3

CONTROL LEVER R.L. 80H
CONTROL LEVER U.D. 80H
```

} See page 9

- ③ Operate the dip switches. When "ON" is indicated at the right side of the corresponding item on the screen, it is OK.
- ④ If the data value increases when the control lever is inclined to the right, or decreases when it is inclined to the left, it tests out satisfactorily.
- ⑤ If the data value increases when the control lever is pulled downward and decreases when it is pushed upward, the testing is OK.
- ⑥ When the tests are ended, push the TEST button.

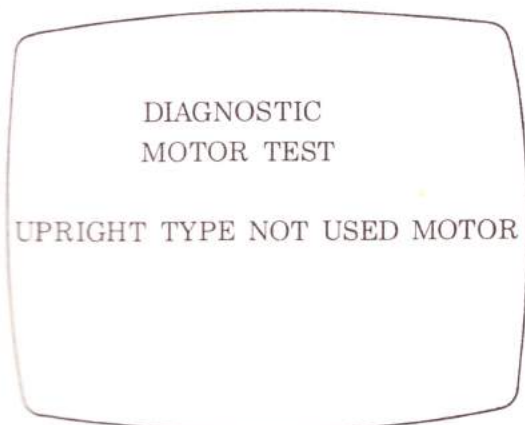
③③ Output Test



If the start LAMP lights up, it is functioning properly.
Push the TEST button when the testing has been completed.

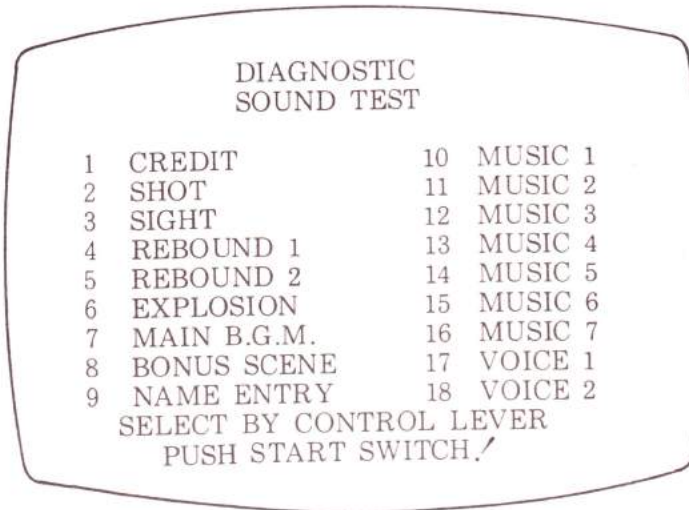
③④ MOTOR TEST

Applicable for the MOVING TYPE only, and not the UPRIGHT and SIT-DOWN types.



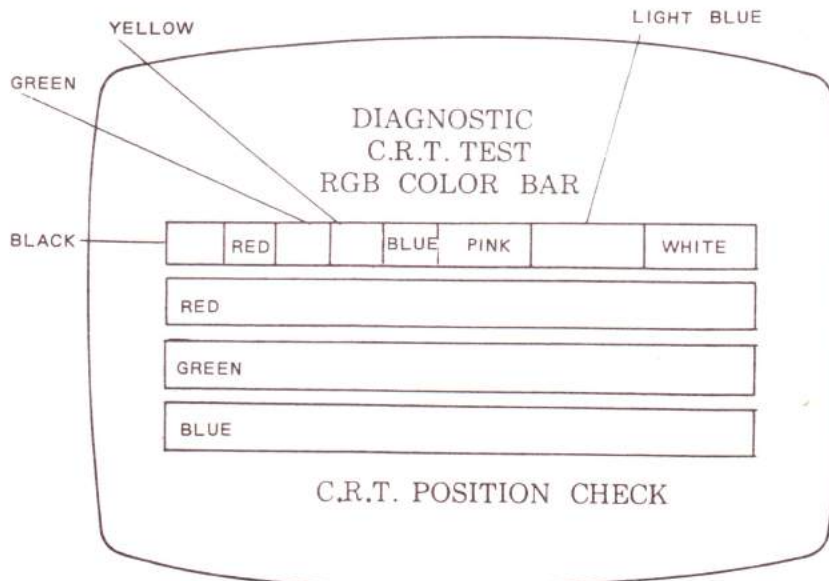
Push the TEST button.

(5) Sound Test



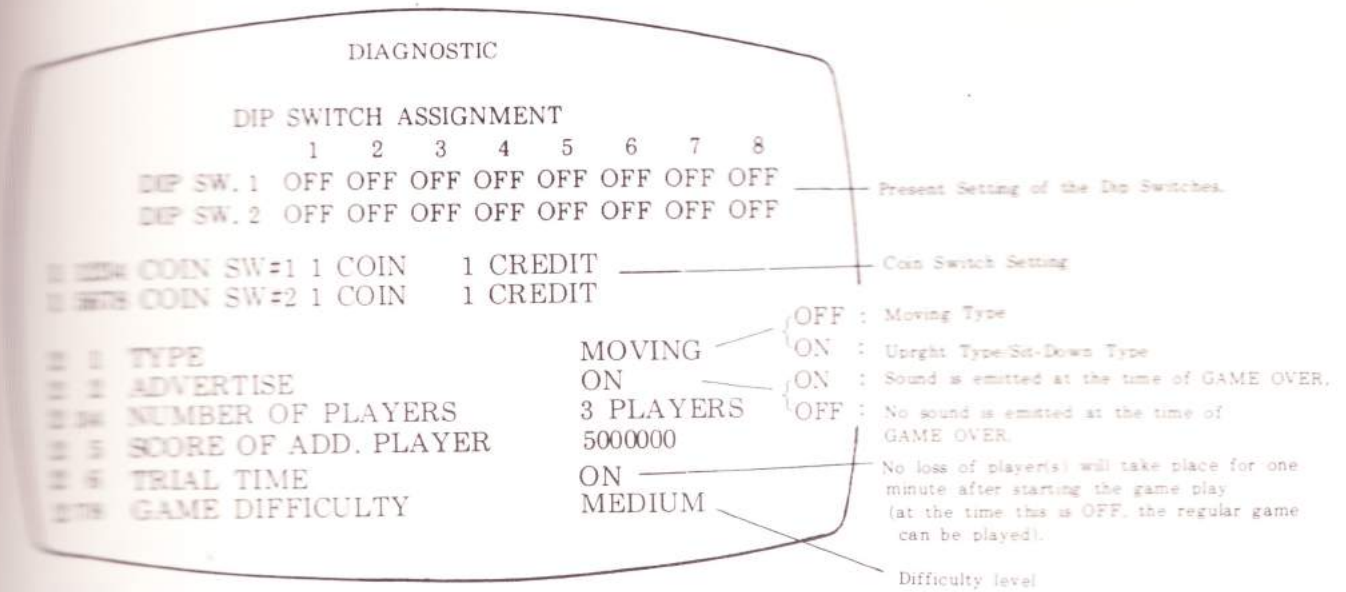
When the test has been completed, push the TEST button.

(6) C.R.T. TEST

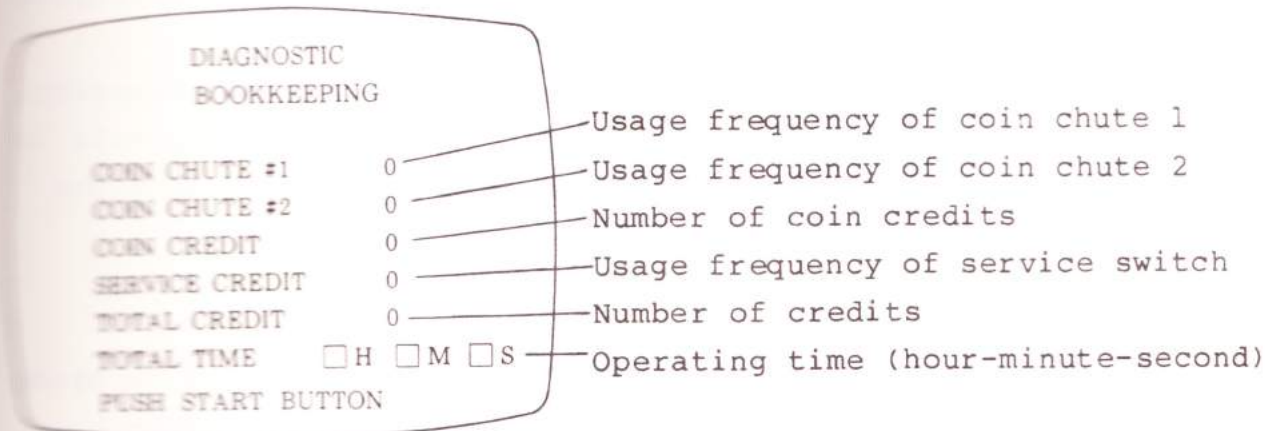


When the test has been completed, push the TEST button.

DIAGNOSTIC DIP SWITCH ASSIGNMENTS



DIAGNOSTIC BOOKKEEPING



Only the data that falls within the range of up to 999H 59M 59S can be memorized. The above screen indication is for testing. When the tests are finished, push the START button and the following will be shown:

DIAGNOSTIC
BOOKKEEPING

NUMBER OF GAMES	203
AVE. SCORE	7230
TOP SCORE	9320
LOW SCORE	4230
** GAME TIME **	
TOTAL	<input type="checkbox"/> H <input type="checkbox"/> M <input type="checkbox"/> S
AVERAGE	<input type="checkbox"/> H <input type="checkbox"/> M <input type="checkbox"/> S
LONGEST	<input type="checkbox"/> H <input type="checkbox"/> M <input type="checkbox"/> S
PUSH START BUTTON !	

Every time the TEST button is pressed, the bookkeeping test display is repeated. When the test is finished, push the TEST button to end the test (in the case of "INDIVIDUAL", however, the test mode returns to Fig. 1 first).

NOTE: o Once the power source is turned OFF, all the bookkeeping data will be completely cleared.

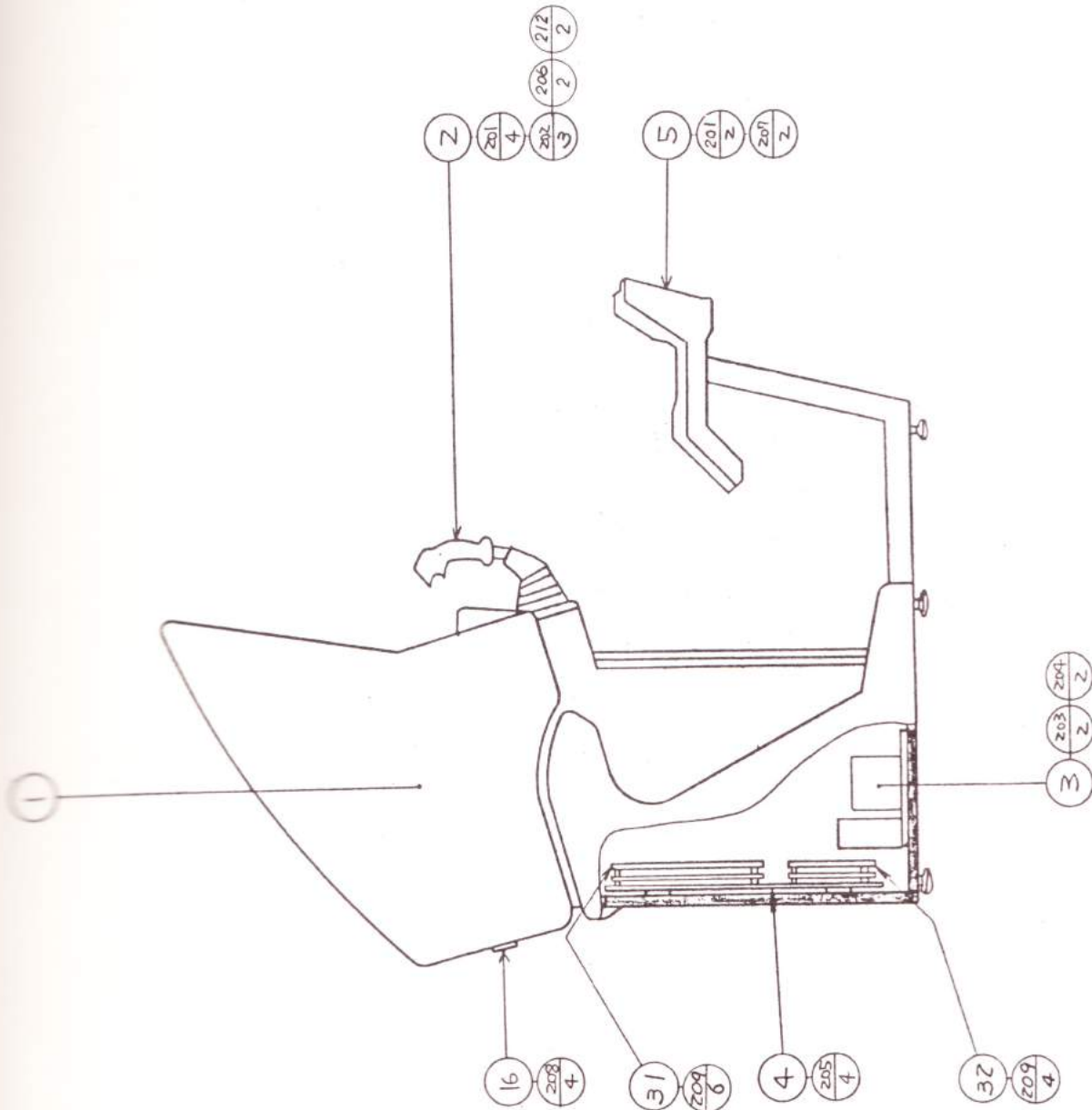
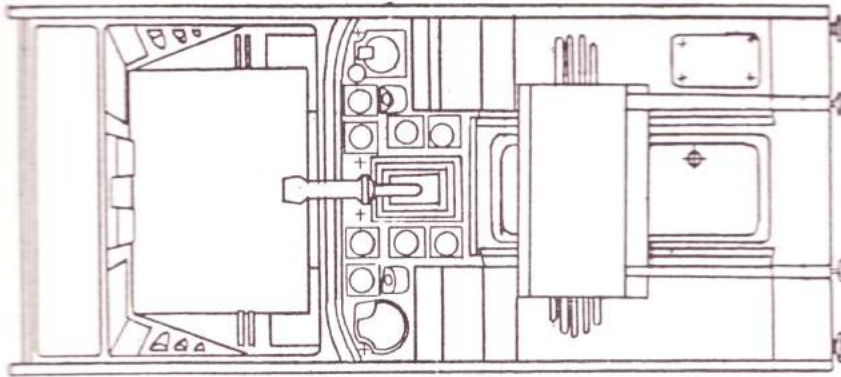
o If any data exceeds the bookkeeping function's capacity, "OVERFLOW" will be indicated on the screen and result in the stoppage of said function. At this time, turn the power OFF and turn it back ON again for reuse.

(8) EXIT

In the state as shown in Fig. 1, operate the handle to bring the arrow to EXIT and push the TEST button. The self-testing will then end and return to the ADVERTISING mode.

III PARTS CATALOG

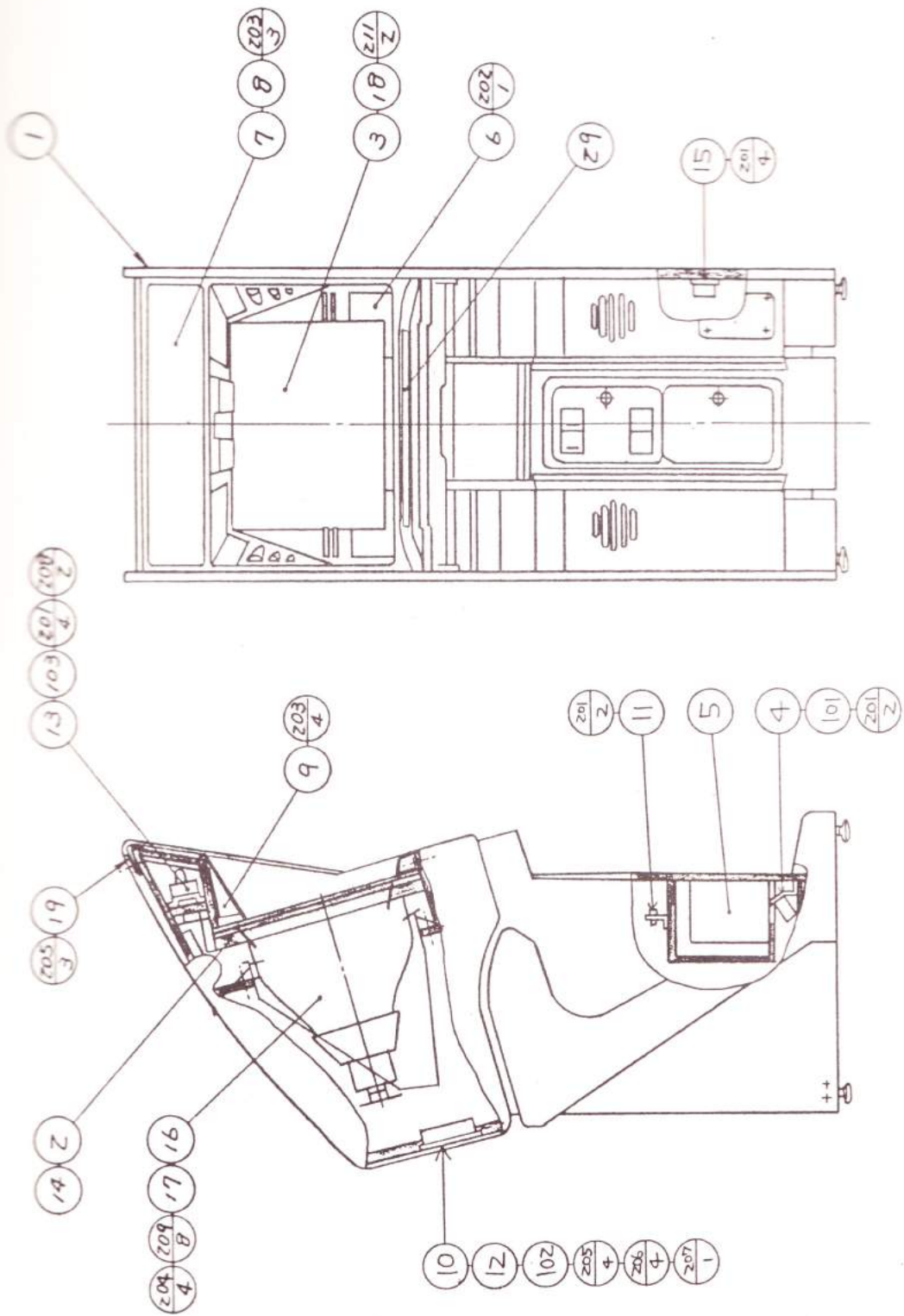
TOP ASSY SPACE HARRIER S/D (RH-00001) (D-1/2)



① TOP ASSY SPACE HARRIER S/D (RH-00001)

(D-2/2)

ITEM NO.	PART NO.	DESCRIPTION
1	RH-10001	ASSY CABINET S/D
2	RH-20001	ASSY CONTROL PANEL
3	RH-40002	ASSY PWR SPLY
4	RH-1515	SHIELD BASE
	RH-1516	SHIELD COVER (USA)
5	RH-0500	ASSY SADDLE
6	421-5800-24	ORIGINAL SEAL SPACE HARRIER
7	420-5275	OWNERS MANUAL SPACE HARRIER
8	422-0084	PLAY INSTR SH SPACE HARRIER
9	421-6195	ADJ INSTR SH
11	81979	STICKER SERVICE INSTR
12	80931	STICKER COIN METER
13	83005	STICKER MAIN SW PUSH ON PUSH OFF
15	82789	STICKER DANGER HIGH VOLTAGE
16	80027Y	NAME PLATE ELEC SPECIFICATIONS
21	SGM-2675	POLYETHYLENE BAG 240x370
22	SGB-1035X	KEY BAG
23	SGM-3642	POLYETHYLENE COVER HN SIT-DOWN
24	421-6261	INSTALLATION INSTR FOR SPACE HARRIER
25	540-0018	DRIVER FOR TAMPERPROOF SCR M4
	540-0006	WRENCH FOR TAMPERPROOF SCR M4
26	540-0017	DRIVER FOR TAMPERPROOF SCR M5
	540-0007	WRENCH FOR TAMPERPROOF SCR M5
27	540-0009	WRENCH FOR TAMPERPROOF SCR M8
	834-5806	ASSY SW BOARD
28	888-1	WIRING DIAGRAM SEGA SPACE HARRIER S/D
29	220-5130	VOL CONT B-5K OHM
30	390-0130	BULB 12V 0.25A #44
31	834-5796	ASSY GAME BD A
32	834-5799	ASSY GAME BD B
201	029-0050	TAMPERPROOF PRF SCR BH M8x30
202	008-0520	TAMPERPROOF PRF SCR TH M5x20
203	000-0530	M SCR PH M5x30
204	069-0001	FLT WSHR 5.5-20x1.6
205	000-0412-FS	M SCR PH W/FS M4x12
206	030-0820	HEX BLT M8x20
207	061-0008	SPR WSHR M8
208	046-0001	SCR NAIL THH 1.5x16
209	010-0310-F	S-TITE SCR PH W/F M3x10



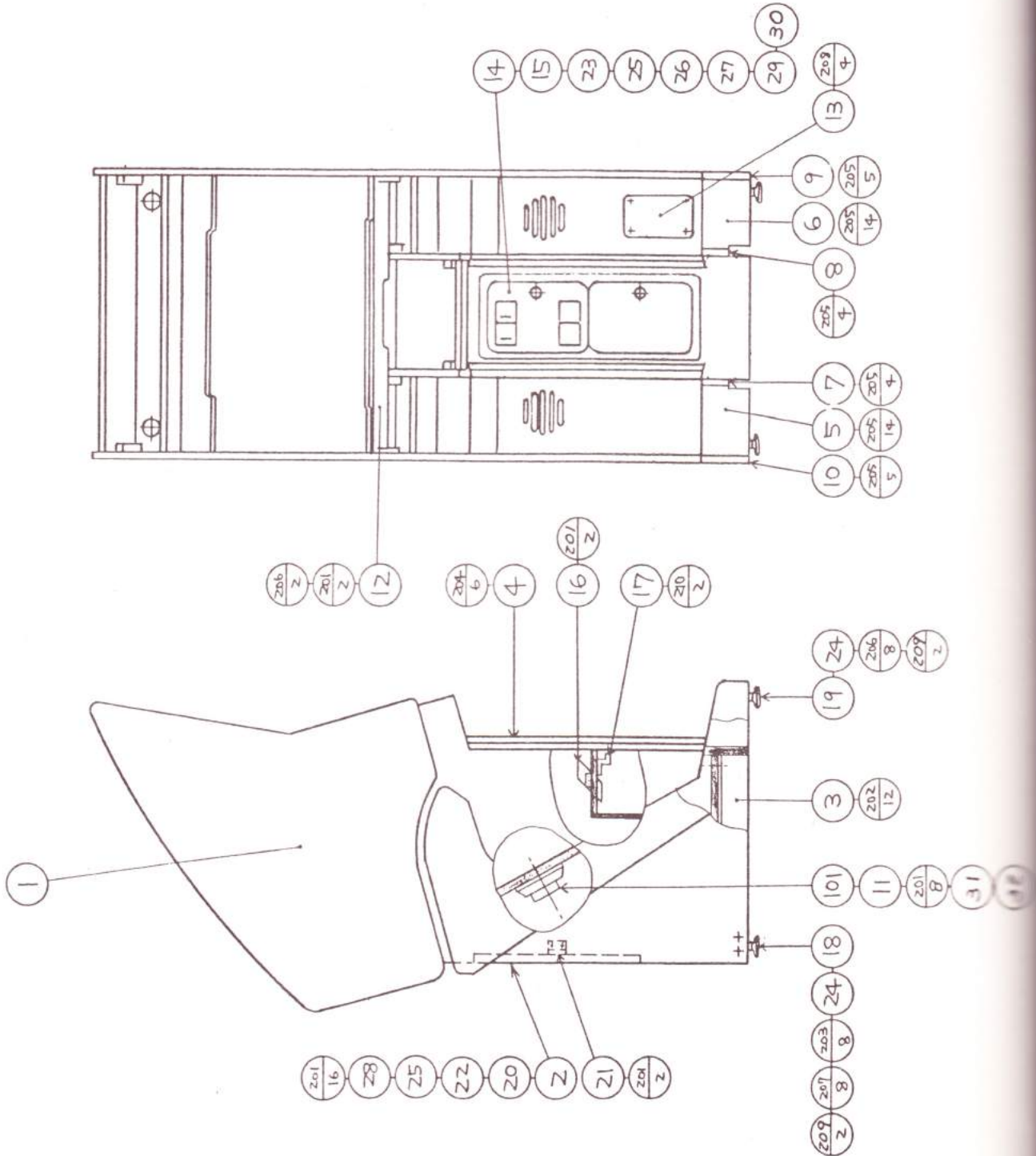
② ASSY CABINET S/D (RH-10001) (D-2/3)

ITEM NO.	PART NO.	DESCRIPTION
1	RH-1500	ASSY SUBCABINET
2	RH-1512	MASK BOARD
3	RH-1019	WINDOW GLASS
4	RH-1513	METER BRKT
5	RH-1514	CASHBOX
6	RH-1015	WINDOW MASK
7	RH-1016	BILLBOARD PLATE
8	RH-1017	BILLBOARD BRKT
9	RH-1018	MASK BRKT
10	HN-1042	FAN BRKT
11	HN-1045	SW UNIT
12	MO-1051X	GUARD PLATE
13	VE-1036	FL BRACKET
14	TB-3003	TV MASK 20
15	VE-1034	AC UNIT
16	TY-1019	BRKT TV
17	200-5044	ASSY CLR DSPL 20" TYPE
18	RH-1021	GLASS HOLDER
19	RH-1022	MASK HOLDER
20	SGB-3679-2	WIRE HARN EARTH (MFG)
	211-0167	TERMINAL LUG ROUND ID 5
21	SGB-3679-3	WIRE HARN FAN MOTOR (MFG)
	211-0085	CONN PLUG AMP 2P BROWN
22	SGB-3679-4	WIRE HARN FL 15W (MFG)
	211-0085	CONN PLUG AMP 2P BROWN
	209-0032	CONN CLOSED END
23	SGB-3679-5	WIRE HARN EXT AC100V (MFG)
	600-5133	CABLE & CONN 300L
	211-0085	CONN PLUG AMP 2P BROWN
	211-0080	CONN CAP AMP 2P BROWN
	211-0117	CONN CAP AMP 2P YELLOW
	209-0032	CONN CLOSED END
24	SGB-3679-8	WIRE HARN AUDIO (MFG)
	211-0073	CONN PLUG AMP 4P WHITE
	211-0084	CONN CAP AMP 9P BROWN
	212-5034	CONN FEM 6P
25	SGB-3679-9	WIRE HARN EXT 50P (MFG)
	211-0102	CONN PLUG AMP 4P YELLOW
	211-0060	CONN CAP AMP 3P WHITE
	211-0081	CONN CAP AMP 3P BROWN
	211-0072	CONN CAP AMP 4P WHITE
	211-0082	CONN CAP AMP 4P BROWN
	211-5105	CONN FEM 50P
26	SGB-3679-11	WIRE HARN EXT AC10V (MFG)
	211-0043	CONN PLUG AMP 2P WHITE
	211-0044	CONN CAP AMP 2P WHITE
27	SGB-3679-12	WIRE HARN RGB (MFG)
	211-0044	CONN CAP AMP 2P WHITE
	211-0060	CONN CAP AMP 3P WHITE
	212-5034	CONN FEM 6P
28	SGB-3679-13	WIRE HARN COIN MTR (MFG)
	211-0087	CONN PLUG AMP 4P BROWN
	209-0023	CONN CLOSED END
29	HN-1069	RUBBER CUSHION

② ASSY CABINET S/D (RH-10001) (D-3/3)

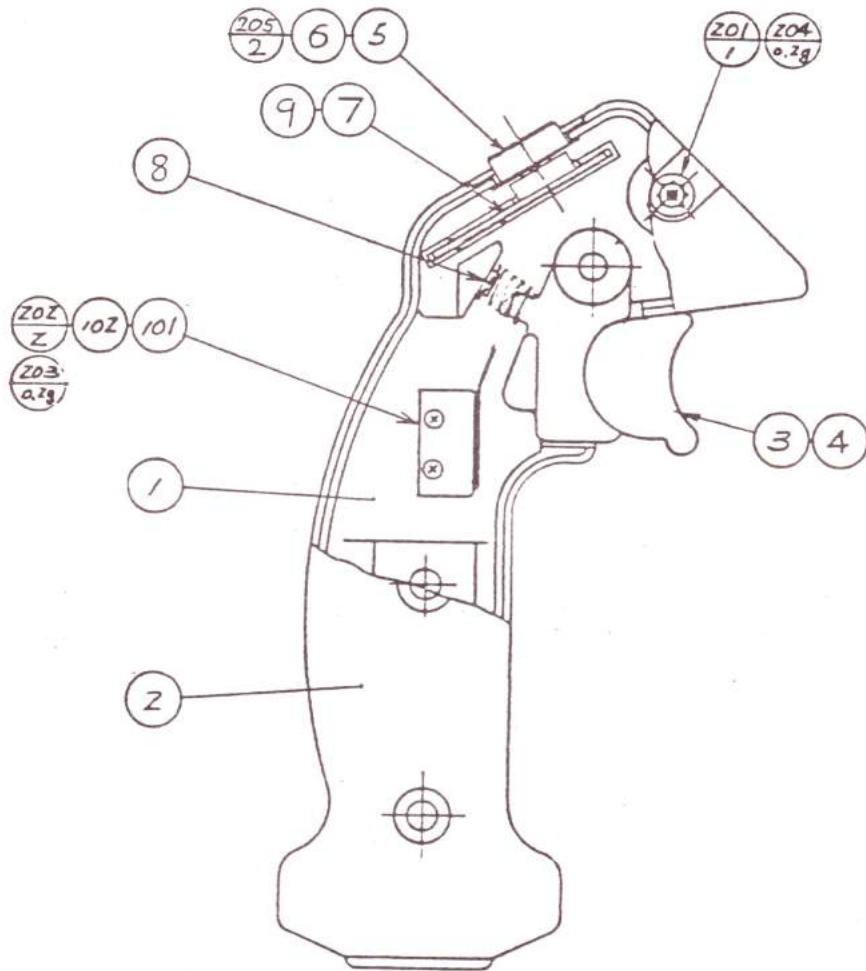
ITEM NO.	PART NO.	DESCRIPTION
101	220-5064	MAG CNTR 6DIG DC 5V
102	260-0011	AXIAL FLOW FAN AC130V 50-60Hz
103	390-5108-01	ASSY FL LIGHT 15W 50Hz PALUCK
104	280-0419	HARNESS LUG
105	211-0041	CONN PIN AMP
106	211-0042	CONN SOCKET AMP
107	211-0005	CONTACT
108	280-5008	CORD CLAMP ϕ 15
201	005-3513-F	W SCR RH W/F 3.5x13
202	008-0408	TMP PRF SCR TH
203	000-0416-FS	M SCR PH W/FS M4x16
204	000-0520-FS	M SCR PH W/FS M5x20
205	008-0425	TMP PRF SCR TH M4x25
206	000-0310-FS	M SCR PH W/FS M3x10
207	051-0004	FLG NUT M4
208	010-0406-F	S-TITE SCR PH W/F M4x6
209	000-0510-S	M SCR PH W/S M5x10
210	005-3113-F	W SCR RH W/F 3.1x13
211	000-0412-FS	M SCR PH W/FS M4x12

③ ASSY SUBCABINET S/D (RH-1500) (D-1/2)

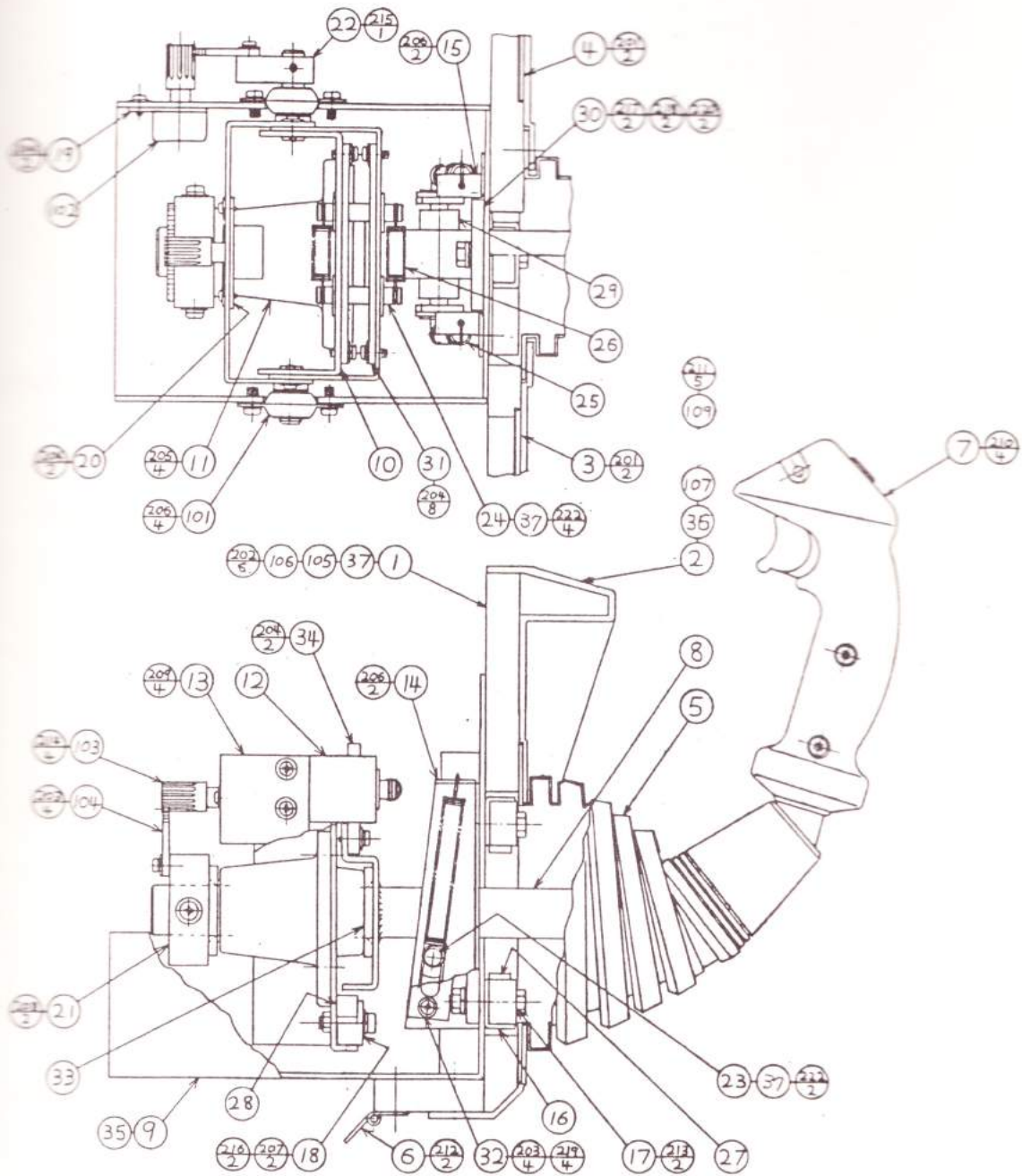


ITEM NO.	PART NO.	DESCRIPTION
1	RH-1501	WOODEN CABINET
2	RH-1502	BACK DOOR
3	RH-1503	GUIDE BRKT
4	RH-1504	ORNAMENT SASH
5	RH-1505	SCUFF PLATE A
6	RH-1506	SCUFF PLATE B
7	RH-1507	CORNER PROTECTOR A
8	RH-1508	CORNER PROTECTOR B
9	RH-1509	CORNER SASH A
10	RH-1510	CORNER SASH B
11	RH-1511	GUARD PLATE
12	RH-1005	PNL BRKT
13	RH-1010	COVER PLATE
14	220-5128-03	ASSY COIN CHUTE 2 DOOR 25" x 2
	220-5128-04	ASSY COIN CHUTE 2 DOOR 1DM x 2, 5DM
	220-5128-21	ASSY COIN CHUTE 2 DOOR 10P, 50P
	220-5128-07	ASSY COIN CHUTE 2 DOOR 5Fr, 10Fr
	220-5128-08	ASSY COIN CHUTE 2 DOOR 500L TWEN
15	HN-1050	SPACER RING
16	HN-1051	LOWER COIN CHUTE
17	HN-1052	LOCK BRKT
18	TA-1079X	LEG ADJUSTER BRKT
19	TI-1079	LEG ADJUSTER BRKT
20	TA-1010	HINGE 148
21	SH-2061X	STOPPER
22	DP-1148X	LKG TNG
23	DP-1167	TNG LKG
24	601-0455	LEG ADJUSTER
25	220-5044-01	MAG LOCK W/O KEY
26	220-5045-01	KEY MASTER FOR 220-5044-01
27	220-5046	MAG LOCK W/KEYS
28	117-0062	PLATE LOCK RETAINER
29	109-0045	KEY HOLDER
30	SGB-3679-10	WIRE HARN COIN SW (MFG)
	211-0073	CONN PLUG AMP 4P WHITE
	280-5016	FASTON RCPT 205
	280-0425	CORD CLAMP ϕ 10
31	SGB-3679-6	WIRE HARN SP RIGHT (MFG)
	211-0094	CONN PLUG AMP 2P RED
32	SGB-3679-7	WIRE HARN SP LEFT (MFG)
	211-0095	CONN PLUG AMP 2P ORANGE
	280-5015	FASTON RCPT 187
101	130-5001	SPKR 80HM ϕ 120
102	211-0041	CONN PIN AMP
201	005-3516-F	W SCR RH W/F 3.5x16
202	000-0516-S	M SCR PH W/S M5x16
203	031-0525-B	CRG BLT BLK M5x25
204	051x0004	FLG NUT M4
205	046-0001	SCR NAIL 1.5x16
206	000-0520-FS	M SCR PH W/FS M5x20
207	051-0005	FLG NUT M5
208	008-0520	TMP PRF TH M5x20
209	059-0007	HEX NUT 3/8-16
210	000-0416-S	M SCR PH W/S M4x16

④ ASSY HANDLE GRIP S/D (RH-2007)



ITEM NO.	PART NO.	DESCRIPTION
1	RH-2008	HANDLE GRIP RIGHT
2	RH-2009	HANDLE GRIP LEFT
3	CD-2041	TRIGGER
4	CD-2042	SHAFT TRIGGER
5	RH-2010	SWITCH BUTTON
6	RH-2011	PLATE
7	834-5806	ASSY SWITCH BOARD
8	125-0011	COMPRESSION SPRING
9	SGB-3670-29	WIRE HARN SW
	211-0041	CONN PIN AMP
101	509-0058	SWITCH MICRO TYPE (MULON SL-220)
102	530-0028	THERMO-SHRINK TUBE HISHILITE TRANSPARENT 4mm
201	029-0052	TMP PRF SCR PH M5×10
202	111-955	M SCR PH M2×10
203	244-044	GLUE SCREW LOCK
204	244-106	LOCTITE #271
205	012-0204	TAMPERPROOF SCR PH M2×4



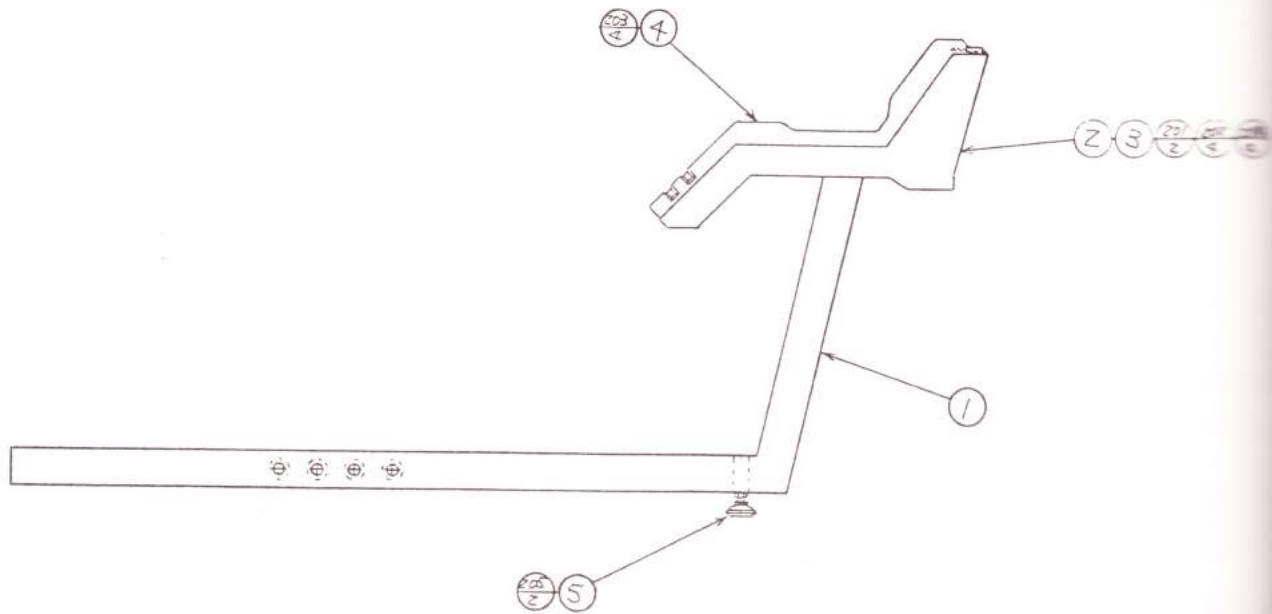
⑤ ASSY CONTROL S/D (RH-20001) (D-2/3)

ITEM NO.	PART NO.	DESCRIPTION
1	RH-2001	CONT PNL BASE
2	RH-2002	CONTROL PANEL
3	RH-2003	DESIGN PL RIGHT
4	RH-2004	DESIGN PL LEFT
5	RH-2005	SHIFT BOOT
6	RH-2006	HINGE 248
7	RH-2007	ASSY HANDLE GRIP
8	RH-2039	HANDLE SHAFT SD
9	RH-2013	BASE
10	RH-2014	HANDLE BRACKET
11	RH-2015	HOUSING
12	RH-2016	GUIDE BRACKET
13	RH-2017	V. R BRACKET
14	RH-2018	BRACKET RIGHT
15	RH-2019	BRACKET LEFT
	RH-2020	BUMPER BRACKET
	RH-2021	BUMPER HOLDER
	RH-2022	RUBBER RETAINER
	RH-2023	V. R BRACKET
	RH-2024	V. R BRACKET
	RH-2025	ADJUSTER
	RH-2026	ADJUSTER
	RH-2027	SPRING HOOK BAR
	RH-2028	SPRING HOOK BAR
	RH-2029	EXT. SPRING
	RH-2030	EXT. SPRING
	RH-2031	BUMPER
	RH-2032	BUMPER
	RH-2033	BUMPER
	RH-2034	GUIDE PLATE
31	RH-2035	GUIDE PLATE
32	RH-2036	GUIDE PLATE
33	RH-2037	SPACER
34	RH-2038	CAM
35	SGB-3679-15	WIRE HARN CONTROL PANEL
	211-0025	CONN PLUG AMP 12P WHITE
36	SGB-3679-16	WIRE HARN METER LAMP (MFG)
	211-0043	CONN PULG AMP 2P WHITE
37	RH-2040	PLASTIC WASHER
101	100-5023	BEARING ϕ 10 NTN B-BAF 1012
102	220-5130	VOL CONT B-5K DHM
103	601-5410	GEAR 15 ϕ 6
104	601-5423	GEAR 1/6
105	214-0034	SKT LAMP MINIATURE
106	390-0130	BULB 12V 0.25A #44
107	509-5053	PUSH BTN SW 1T GREEN W/LAMP
109	509-0147	PUSH BTN SW 1T YELLOW
110	601-0460	PLASTIC TIE BELT 100 mm
111	209-0023	CLOSED END CONN
112	280-5008	CORD CLAMP ϕ 15
113	310-5009	INSL SPIRAL TUBE ID ϕ 9
114	280-0472	FASTON RCPT 110
115	211-0041	CONN PIN AMP

⑤ ASSY CONTROL S/D (RH-20001) (D-3/3)

ITEM NO.	PART NO.	DESCRIPTION
201	005-3510	W SCR RH 3.5×10
202	005-3513-F	W SCR RH 3.5×13 W/F
203	000-04048-S	M SCR PH W/S M4×8
204	000-0412-FS	M SCR PH W/FS M4×12
205	000-0510-S	M SCR PH W/S M5×10
206	000-0512-FS	M SCR PH W/FS M5×12
207	000-0520-FS	M SCR PH W/FS M5×20
208	000-0525-FS	M SCR PH W/FS M5×25
209	010-0412-F	S-TITE SCR PH W/F M4×12
210	029-0052	TMP PRF SCR PH M5×10
211	008-0425	TMP PRF SCR TH M4×25
212	008-0520	TMP PRF SCR TH M5×20
213	030-0630	HEX BOLT M6×30
214	028-0002	SET SCR PH SPCL M3×8
215	028-0010	SET SCR HEX SKT CP M5×8
216	050-0005	HEX NUT M5
217	050-0006	HEX NUT M6
218	061-0006	SPR WSHR M6
219	060-0004	FLT WSHR M4
220	060-0006	FLT WSHR M6
222	045-0005	COTTER PIN 2×15

⑥ ASSY SADDLE S/D (RH-0500)

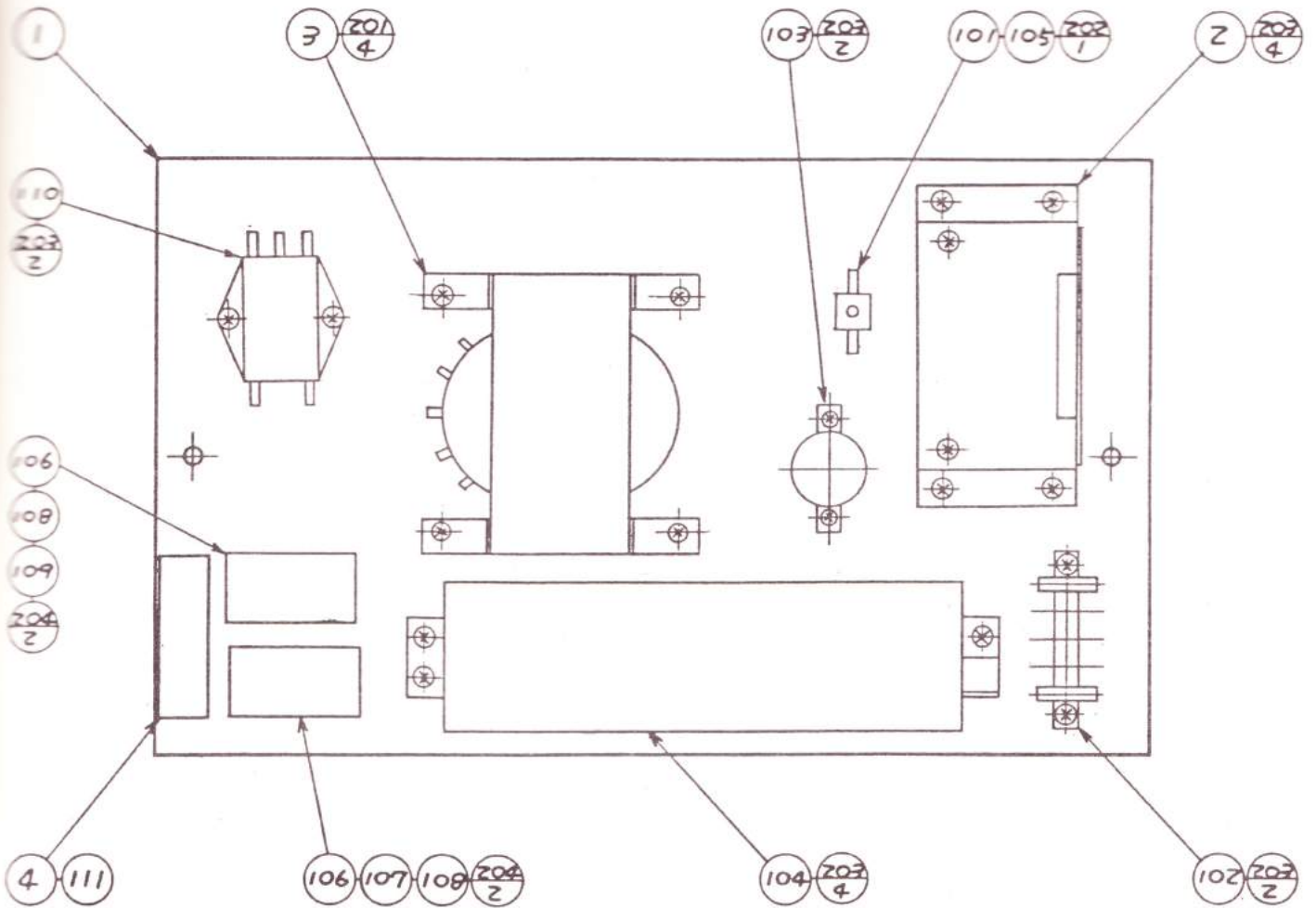


ITEM NO.	PART NO.	DESCRIPTION
1	RH-0501	SADDLE PIPE
2	RH-0502	SADDLE BASE
3	RH-0503	STOPPER BRKT
4	RH-0504	SADDLE
5	601-0455	LEG ADJVSTER
201	000-0516-S	M SCR PH W/S M5×16
202	030-0630	HEX BOLT M6×30
203	000-0525-FS	M SCR PH W/FS M5×25
204	061-0006	SPR WSHR M6
205	059-0007	HEX NUT 3/8-16

⑦

ASSY POWER SUPPLY LOCAL S/D (RH-40001)

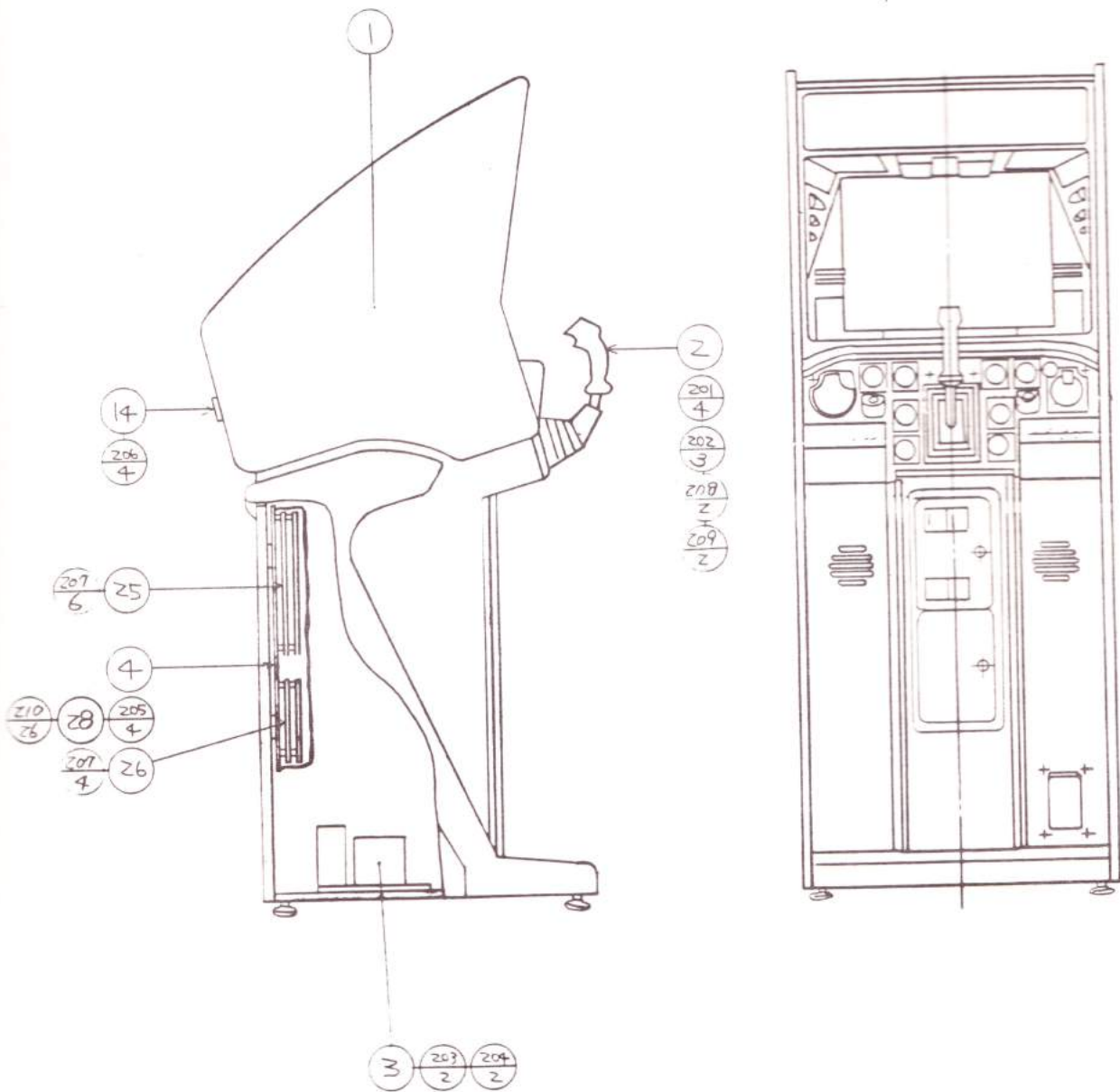
(D-1/2)



⑦ ASSY POWER SUPPLY LOCAL S/D (RH-40001) (D-2/2)

ITEM NO.	PART NO.	DESCRIPTION
1	RH-4003	BASE
2	GR-4600	PWR AMP DC39V 15W
3	560-5076	PWR XFMR 90-240V 10V 24V 100V
4	421-6201	STICKER FUSE INSTR
5	SGB-3679-1	WIRE HARN PWR SPLY
	SGB-3680-1	WIRE HARN PWR SPLY
	211-0097	CONN PLUG AMP 3P RED
	211-0044	CONN CAP AMP 2P WHITE
	211-0080	CONN CAP AMP 2P BROWN
	211-0115	CONN CAP AMP 2P RED
	211-0116	CONN CAP AMP 2P ORANGE
	211-0072	CONN CAP AMP 4P WHITE
	211-0123	CONN CAP AMP 4P YELLOW
	211-0157	CONN FEM 3P
	211-0158	CONN FEM 6P
	211-5101	CONN FEM 10P
101	117-0068	TERMINAL PLATE IL3P
102	211-0174	TERMINAL PLATE 5P
103	150-0173	CAP E 4700MF 50V C-TYPE
104	400-5038	SW REGU 90-240V 5V 12A (CSK-51300)
105	481-0065	DIODE BRIDGE S2VB10
106	514-0064	FU HLDR 2P W/COVER
107	514-0036	FU 3A 6.4×30 mm
108	514-0040	FU 4A 6.4×30 mm
109	514-0034	FU 5A 6.4×30 mm
110	601-0429	NOISE FLTR AC250V 4A
111	601-0769	STAPLE MAX #3
112	280-0419	HARNESS LUG
113	211-0167	TERMINAL LUG ROUND ID 5
114	211-0041	CONN PIN AMP
115	211-0042	CONN SOCKET AMP
116	211-0005	CONN CRIMP LOCK
117	211-5047	CONTACT
201	000-0414-FS	M SCR PH W/FS M4×14
202	005-3110	W SCR RH 3.1×10
203	005-3113-F	W SCR RH W/F 3.1×13
204	005-3120	W SCR RH 3.1×20

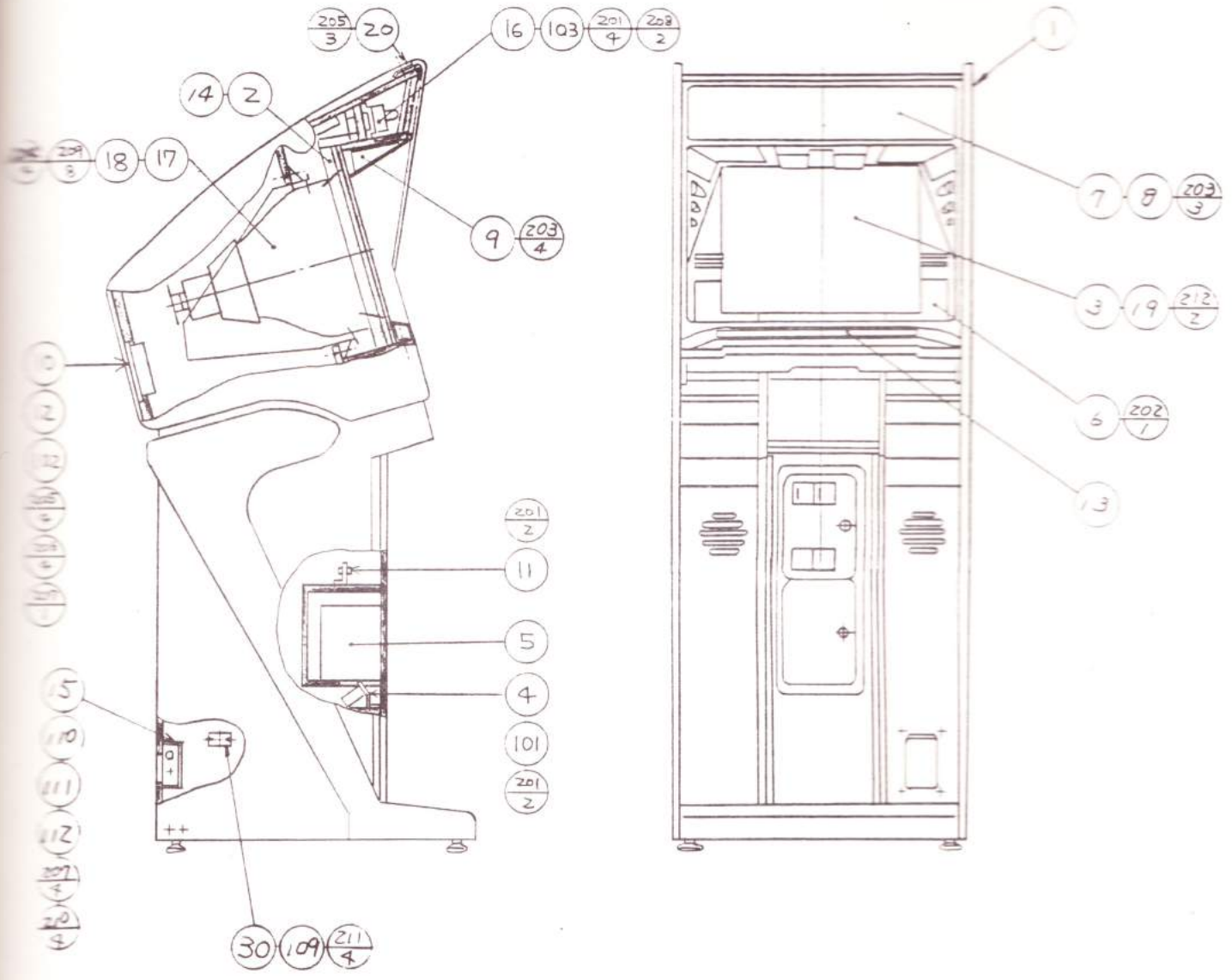
8 TOP ASSY SEGA SPACE HARRIER U/R (RH-00002) (D-1/2)



⑧ TOP ASSY SEGA SPACE HARRIER U/R (RH-00002) (D-2/2)

ITEM NO.	PART NO.	DESCRIPTION
1	RH-10002	ASSY CABINET U/R
2	RH-20001	ASSY CONTROL UNIT
3	RH-40002	ASSY PWR SPLY
4	RH-1515	SHIELD BASE
5	421-5800-24	ORIGINAL SEAL SPACE HARRIER
6	420-5275	OWNERS MANUAL SPACE HARRIER U/R ENG
7	422-0084	PLAY INSTR SH SPACE HARRIER ENG
8	421-6195	ADJ INSTR SH SPACE HARRIER
9	81979	STICKER SERVICE INSTR
10	80931	STICKER COIN METER
11	83005	STICKER MAIN SW PUSH ON PUSH OFF
12	421-6119	STICKER FCC
13	82789	STICKER DANGER HIGH VOLTAGE
14	80027XY	NAME PLATE ELEC SPEC
15	83602	STICKER SERIAL NO INFO
16	SGM-2675	POLYETHYLENE BAG 240×370
17	SGB-1035X	KEY BAG
18	SGM-3640	POLYETHYLENE COVER
19	540-0018	DRIVER FOR TAMP SCR M4
	540-0006	WRENCH FOR TAMP SCR M4
20	540-0017	DRIVER FOR TAMP SCR M5
	540-0007	WRENCH FOR TAMP SCR M5
21	540-0009	WRENCH FOR TAMP SCR M8
	888-2	WIRING DIAGRAM SEGA SPACE HARRIER U/R
22	834-5806	ASSY SW BOARD
23	220-5130	VOL CONT B-5K OHM
24	390-0130	BULB 12V 0.25A #44
25	834-5796	ASSY GAME BD A
26	834-5799	ASSY GAME BD B
27	420-5247	DISPLAY MANUAL 20" 200-5044 ENG
28	RH-1516	SHIELD COVER
29	270-5009	LINE FILTER
201	029-0050	TMP PRF SCR BH M8×30
202	008-0520	TMP PRF SCR TH M5×20
203	000-0530	M SCR PH M5×30
204	069-0001	FLT WSHR 5.5-20×1.6
205	000-0412-FS	M SCR PH W/FS M4×12
206	046-0001	SCR NAIL THH 1.5×16
207	010-0310-F	S-TITE SCR PH W/F
208	069-0035	FLT WASHER BLK M8
209	030-0820-B	HEX BLT BLK M8×20
210	010-0408-F	S-TITE SCR PH W/F M4×8
211	000-3516-F	W SCR RH W/F 3.5×16

9 ASSY CABINET U/R (RH-10002) (D-1/3)



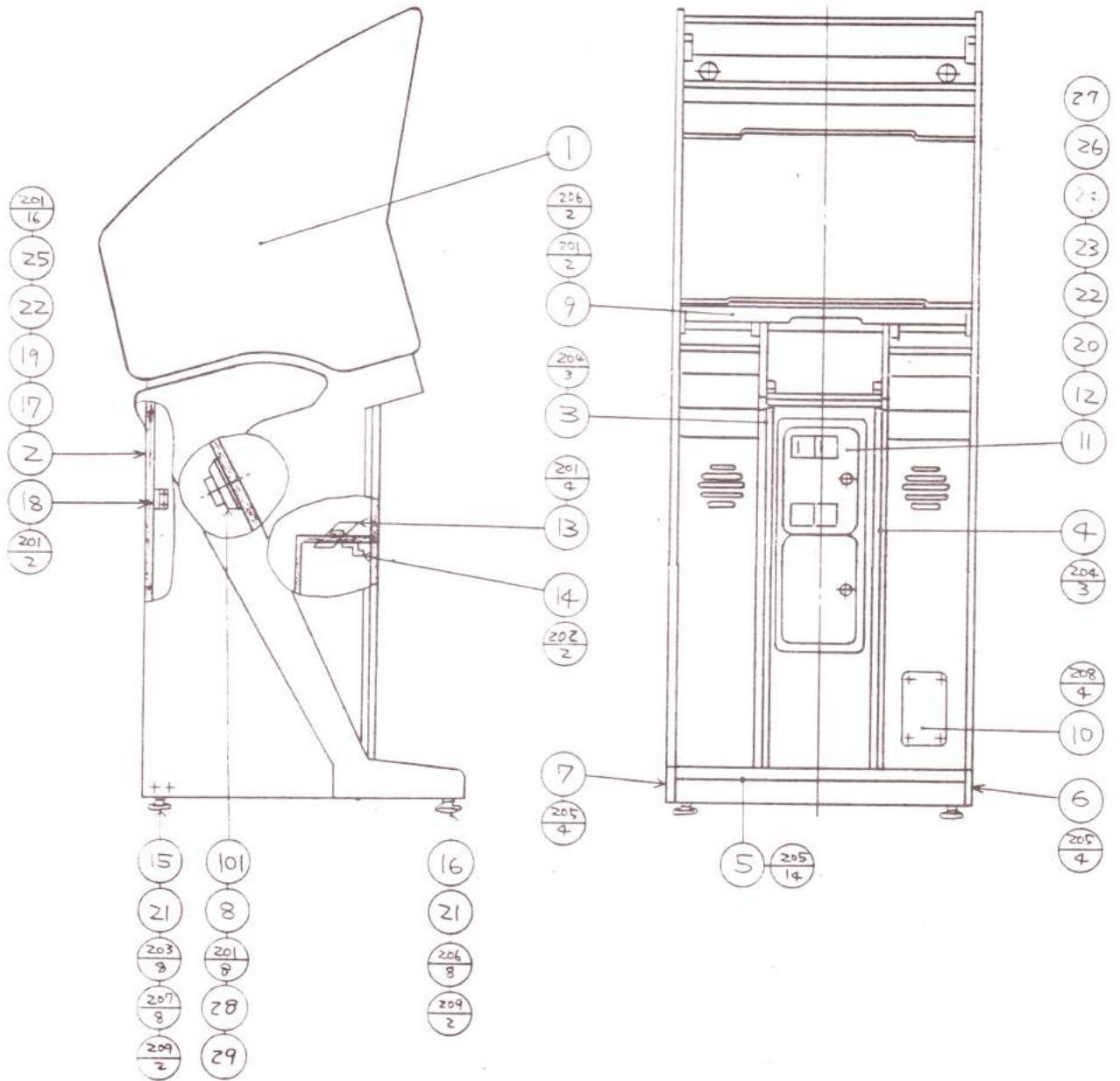
⑨ ASSY CABINET U/R (RH-10002) (D-2/3)

ITEM NO.	PART NO.	DESCRIPTION
1	RH-1600	ASSY SUBCABINET U/R
2	RH-1512	MASK BOARD
3	RH-1019	WINDOW GLASS
4	RH-1513	METER BRKT
5	HN-1055	CASHBOX
6	RH-1015	WINDOW MASK
7	RH-1016	BILLBOARD PLATE
8	RH-1017	BILLBOARD BRKT
9	RH-1018X	MASK BRKT
10	HN-1042	FAN BRKT
11	HN-1045	SW UNIT
12	MO-1051X	GUARD PLATE
13	HN-1069	RUBBER CUSHION
14	TB-3003	TV MASK 20
15	MO-1215Y	COVER
16	VE-1036	FL BRKT
17	200-5044	ASSY CLR DSPL 20" TYPE
18	TY-1019	BRKT TV
19	RH-1021	GLASS HOLDER
20	RH-1022	MASK HOLDER
21	SGB-3680-2	WIRE HARN EARTH
	211-0167	TERMINAL LUG ROUND ID 5
22	SGB-3680-3	WIRE HARN FAN MOTOR
	211-0085	CONN PLUG AMP 2P BROWN
23	SGB-3680-4	WIRE HARN FL 15W
	211-0085	CONN PLUG AMP 2P BROWN
	209-0032	CONN CLOSED END
24	SGB-3680-5	WIRE HARN EXT AC 100V
	600-5133	CABLE & CONN 300L
	211-0085	CONN PLUG AMP 2P BROWN
	211-0080	CONN CAP AMP 2P BROWN
	211-0117	CONN CAP AMP 2P YELLOW
	209-0032	CONN CLOSED END
25	SGB-3680-8	WIRE HARN AUDIO
	211-0073	CONN PLUG AMP 4P WHITE
	211-0084	CONN CAP AMP 9P BROWN
	212-5034	CONN FEM 6P
26	SGB-3680-9	WIRE HARN EXT 50P
	211-0102	CONN PLUG AMP 4P YELLOW
	211-0060	CONN CAP AMP 3P WHITE
	211-0081	CONN CAP AMP 3P BROWN
	211-0072	CONN CAP AMP 4P WHITE
	211-0082	CONN CAP AMP 4P BROWN
	211-0047	CONN CAP AMP 12P WHITE
	211-5105	CONN FEM 50P
27	SGB-3680-11	WIRE HARN EXT AC 10V
	211-0043	CONN PLUG AMP 2P WHITE
	211-0044	CONN CAP AMP 2P WHITE
28	SGB-3680-12	WIRE HARN RGB
	211-0044	CONN CAP AMP 2P WHITE
	211-0060	CONN CAP AMP 3P WHITE
	212-5034	CONN FEM 6P

⑨ ASSY CABINET U/R (RH-10002) (D-3/3)

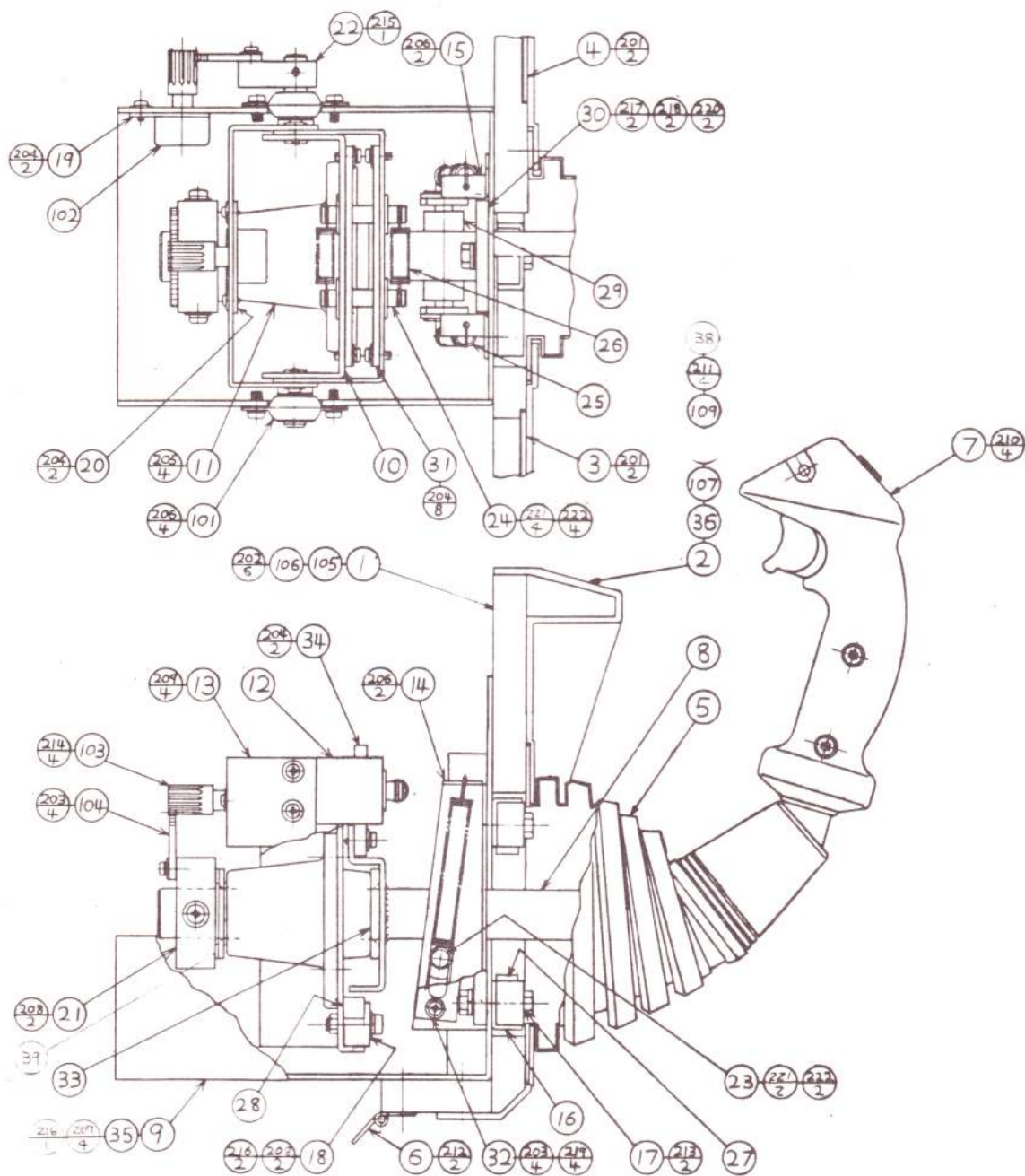
ITEM NO.	PART NO.	DESCRIPTION
29	SGB-3680-13	WIRE HARN COIN MTR
	211-0087	CONN PLUG AMP 4P BROWN
	209-0023	CONN CLOSED END
30	105-0064	BRKT MAIN SW
101	220-5064	MAG CNTR 6DIG DC5V
102	260-0011	AXIAL FLOW FAN AC100V 50-60Hz
103	390-5120-01	ASSY FL LIGHT 15W 60Hz PALUCK
104	280-0419	HARNESS LUG
105	211-0041	CONN PIN AMP
106	211-0042	CONN SOCKET AMP
107	211-0005	CONTACT
108	280-5008	CORD CLAMP \varnothing 15
109	509-0039	SW PB TYPE
110	280-0418	BUSHING STRAIN RELIEF 8.3
111	280-0417	TERMINAL BINDING POST BLACK
112	600-0110	CA & PL ASSY
201	005-3513-F	W SCR RH W/F 3.5x13
202	008-0408	TMP PRF SCR TH M4x8
203	000-0416-FS	M SCR PH W/FS M4x16
204	000-0520-FS	M SCR PH W/FS M5x20
205	008-0425	TMP PRF SCR TH M4x25
206	000-0310-FS	M SCR PH W/FS M3x10
207	051-0004	FLG NUT M4
208	010-0406-F	S-TITE SCR PH W/F M4x6
209	000-0510-S	M SCR PH W/S M5x10
210	031-0425-B	CRG BLT BLK M4x25
211	005-3113-F	W SCR RH W/F 3.1x13
212	000-0412-FS	M SCR PH W/FS M4x12

⑩ ASSY SUB-CABINET U/R (RH-1600) (D-1/2)



ITEN NO.	PART NO.	DESCRIPTION
1	RH-1601	WOODEN CABINET U/R
2	RH-1607	BACK DOOR
3	RH-1602	ORNAMENT SASH R
4	RH-1603	ORNAMENT SASH L
5	RH-1604	SCUFF PLATE
6	RH-1605	CORNER SASH L
7	RH-1606	CORNER SASH R
8	RH-1511	GUARD PLATE
9	RH-1005	PNL BRKT
10	RH-1010	COVER PLATE
11	220-5128-03	ASSY COIN CHUTE 2 DOOR $\approx 25 \times 2$ TWIN
12	HN-1050	SPACER RING
13	HN-1051	LOWER COIN CHUTE
14	HN-1052	LOCK BRKT
15	TA-1079X	LEG ADJUSTER BRKT
16	TI-1079	LEG ADJUSTER BRKT
17	TA-1010	HINGE 148
18	SH-2061X	STOPPER
19	DP-1148X	LKG TNG
20	DP-1167	TNG LKG
21	601-0455	LEG ADJUSTER
22	220-5044-01	MAG LOCK W/O KEY
23	220-5045-01	KEY MASTER FOR 220-5044-01
24	220-5046	MAG LOCK W/KEYS
25	117-0062	PLATE LOCK RETAINER
26	109-0045	KEY HOLDER
27	SGB-3679-10	WIRE HARN COIN SW
	211-0073	CONN PLVG AMP 4P WHITE
	280-5016	FASTON RCPT 205
	280-0425	CORD CLAMP $\phi 10$
28	SGB-3680-6	WIRE HARN SP RIGHT
	211-0094	CONN PLUG AMP 2P RED
	280-5015	FASTON RCPT 187
29	SGB-3680-7	WIRE HARN SP LEFT
	211-0095	CONN PLUG AMP 2P ORANGE
	280-5015	FASTON RCPT 187
101	130-5001	SPKR 80HM $\phi 120$
102	211-0041	CONN PIN AMP
103	280-0419	HARNESS LUG
201	005-3516-F	W SCR RH W/F 3.5 \times 16
202	000-0416-S	M SCR PH W/S M4 \times 16
203	031-0525-B	CRG BLT BLK M5 \times 25
204	051-0004	FLG NUT M4
205	046-0001	SCR NAIL 1.5 \times 16
206	000-0520-FS	M SCR PH W/FS M5 \times 20
207	051-0005	FLG NUT M5
208	008-0520	TMP PRF TH M5 \times 20
209	059-0007	HEX NUT 3/8-16
210	005-3113-F	W SCR RH W/F 3.1 \times 13

⑪ ASSY CONTROL UNIT U/R (RH-20001) (D-1/3)



⑪ ASSY CONTROL UNIT U/R (RH-20001) (D-2/3)

ITEM NO.	PART NO.	DESCRIPTION
1	RH-2001	CONT PNL BASE
2	RH-2002	CONTROL PANEL
3	RH-2003	DESIGN PL RIGHT
4	RH-2004	DESIGN PL LEFT
5	RH-2005	SHIFT BOOT
6	RH-2006	HINGE 248
7	RH-2007	ASSY HANDLE GRIP
8	RH-2039	HANDLE SHAFT SD
9	RH-2013	BASE
10	RH-2014	HANDLE BRACKET
11	RH-2015	HOUSING
12	RH-2016	GUIDE BRACKET
13	RH-2017	V. R BRACKET
14	RH-2018	BRACKET RIGHT
15	RH-2019	BRACKET LEFT
16	RH-2020	BUMPER BRACKET
17	RH-2021	BUMPER HOLDER
18	RH-2022	RUBBER RETAINER
19	RH-2023	V. R BRACKET
20	RH-2024	V. R BRACKET
21	RH-2025	ADJUSTER
22	RH-2026	ADJUSTER
23	RH-2027	SPRING HOOK BAR
24	RH-2028	SPRING HOOK BAR
25	RH-2029	EXT. SPRING
26	RH-2030	EXT. SPRING
27	RH-2031	BUMPER
28	RH-2032	BUMPER
29	RH-2033	BUMPER
30	RH-2034	GUIDE PLATE
31	RH-2035	GUIDE PLATE
32	RH-2036	GUIDE PLATE
33	RH-2037	SPACER
34	RH-2038	CAM
35	SGB-3679-15	WIRE HARN CONTROL PANEL(MFG)
	211-0025	CONN PLUG AMP 12P WHITE
36	SGB-3679-16	WIRE HARN METER LAMP (MFG)
	211-0043	CONN PLUG AMP 2P WHITE
38	421-6220	STICKER START
39	RH-2041	SPACER
101	100-5023	BEARING ϕ 10 NTN B-BAF 1012
102	220-5130	VOL CONT B-5A DHM
103	601-5410	GEAR 15 ϕ 6
104	601-5423	GEAR 1/6
105	214-0034	SKT LAMP MINIATURE
106	390-0130	BULB 12V 0.25A #44
107	509-5053	PUSH BTN SW 1T GREEN W/LAMP
109	509-0147	PUSH BTN SW 1T YELLOW
110	601-0460	PLASTIC TIE BELT 100 mm
111	209-0023	CLOSED END CONN
112	280-5008	CORD CLAMP ϕ 15
113	310-5009	INSL SPIRAL TUBE ID ϕ 9
114	280-0472	FASTON RCPT 110
115	211-0041	CONN PIN AMP

⑪ ASSY CONTROL UNIT U/R (RH-30001) (D-3/3)

ITEM NO.	PART NO.	DESCRIPTION
201	005-3510	W SCR RH 3.5×10
202	005-3113-F	W SCR RH W/F 3.1×13
203	000-0408-S	M SCR PH W/S M4×8
204	000-0412-FS	M SCR PH W/FS M4×12
205	000-0510-S	M SCR PH W/FS M5×12
206	000-0512-FS	M SCR PH W/S M5×10
207	000-0520-FS	M SCR PH W/FS M5×20
208	000-0525-FS	M SCR PH W/FS M5×25
209	010-0412-F	S-TITE SCR PH W/F M4×12
210	029-0052	TMP PRF SCR PH M5×10
211	008-0425	TMP PRF SCR TH M4×25
212	008-0520	TMP PRF SCR TH M5×20
213	030-0630	HEX BOLT M6×30
214	028-0003	SET SCR PH SPCL M3×8
215	028-0010	SET SCR HEX SKT CP M5×8
216	050-0005	HEX NUT M5
217	050-0006	HEX NUT M6
218	061-0006	SPR WSHR M6
219	060-0004	FLT WSHR M4
220	060-0006	FLT WSHR M6
221	060-0008	FLT WSHR M8
222	045-0005	COTTER PIN 2×15

⑫ ASSY POWER SUPPLY U/R (RH-40002) (D-2/2)

ITEM NO.	PART NO.	DESCRIPTION
1	RH-4003	BASE
2	GR-4600	PWR AMP DC 39V 15W
3	560-5076	PWR XFMR 90-240V 10V 24V 100V
4	421-6202	STICKER FUSE INSTR (FOR USA)
	421-6203	STICKER FUSE INSTR (200~240V AREA)
	81319	STICKER 120V (FOR USA)
	80666	STICKER 200V (200V AREA)
5	80556	STICKER 220V (220V AREA)
	80595	STICKER 230V (230V AREA)
	80309	STICKER 240V (240V AREA)
6	HN-4003	COVER
7	SGB-3679-1	WIRE HARN PWR SPLY (MFG) (SIT-DOWN)
	SGB-3680-1	WIRE HARN PWR SPLY (MFG) (UPRIGHT)
	211-0097	CONN PLUG AMP 3P RED
	211-0044	CONN CAP AMP 2P WHITE
	211-0080	CONN CAP AMP 2P BROWN
	211-0115	CONN CAP AMP 2P RED
	211-0116	CONN CAP AMP 2P ORANGE
	211-0072	CONN CAP AMP 4P WHITE
	211-0123	CONN CAP AMP 4P YELLOW
	211-0157	CONN FEM 3P
	211-0158	CONN FEM 6P
	211-5101	CONN FEM 10P
101	117-0068	TERMINAL PLATE IL 3P
102	211-0174	TERMINAL PLATE 5P
103	150-0173	CAP E 4700MF 50V C-TYPE
104	400-5038	SW REGU 90-240V 5V 12A (CSK-51300)
105	481-0065	DIODE BRIDGE S2VB10
106	514-0064	FU HLDR 2P W/COVER
107	514-0036	FU 3A 6.4×30mm (FOR USA)
	514-0036	FU 3A 6.4×30mm (200~240V AREA)
108	514-0040	FU 4A 6.4×30mm
109	514-0034	FU 5A 6.4×30mm (FOR USA)
110	601-0429	NOISE FLTR AC 250V 4A
111	601-0769	STAPLE MAX #3
112	280-0419	HARNESS LUG
113	211-0167	TERMINAL LUG ROUND ID 5
114	211-0041	CONN PIN AMP
115	211-0042	CONN SOCKET AMP
116	211-0005	CONN CRIMP LOCK
117	211-5047	CONTACT
201	000-0414-FS	M SCR PH W/FS M4×14
202	005-3110	W SCR RH 3.1×10
203	005-3113-F	W SCR RH W/F 3.1×13
204	005-3120	W SCR RH 3.1×20

SEGA ENTERPRISES, LTD.
No. 2-12 Haneda 1-Chome
Ohta-Ku, Tokyo, Japan 144

- Tel. : (03) 743 - 7438
- FAX : (03) 743 - 5539
- TLX : J22357 SEGASTAR

© SEGA 1985

Printed in Japan