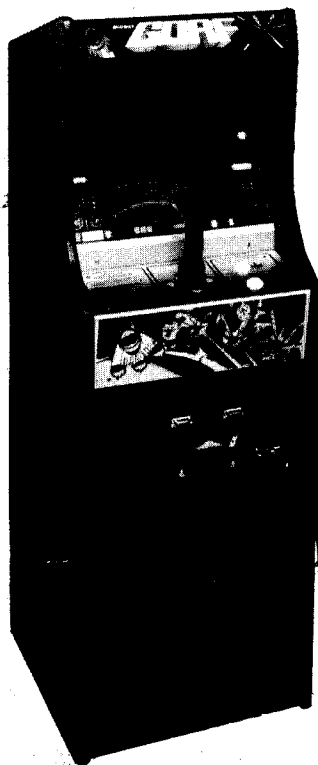
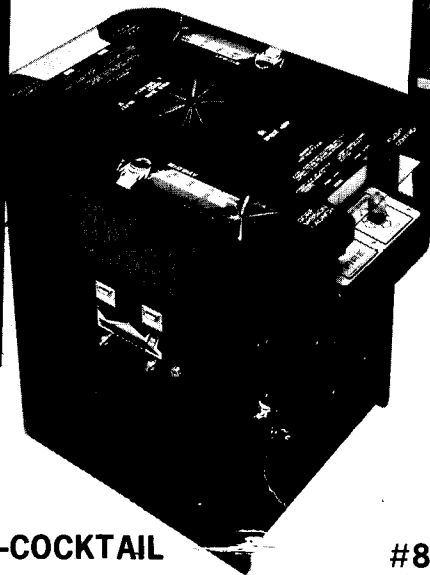


GAME NOS. 873, 926 & 927
FEBRUARY, 1981

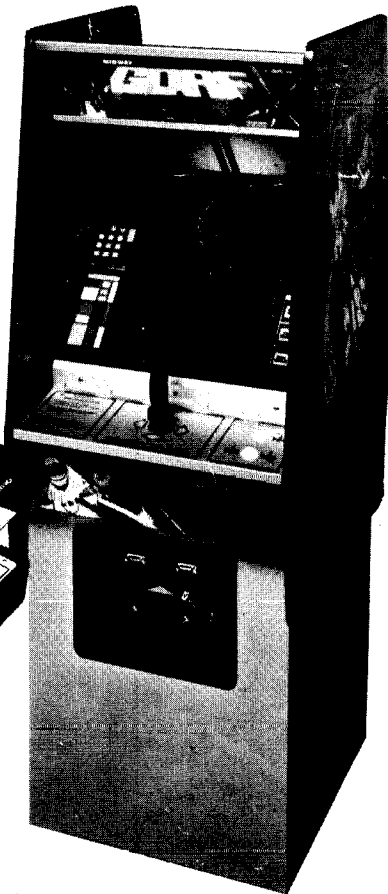
MIDWAY'S **FOUR** PARTS AND OPERATING MANUAL



#926-MINI



#927-COCKTAIL



#873-UPRIGHT



MIDWAY MFG. CO.

A BALLY COMPANY

10750 WEST GRAND AVENUE
FRANKLIN PARK, ILLINOIS 60131
U.S.A.

PHONE: (312) 451-1360 CABLE ADDRESS: MIDCO TELEX NO.: 72-1596

FORM NO. 0873-00300-0000

TABLE OF CONTENTS

| | Page |
|---|-------|
| GENERAL INSTRUCTIONS - UPRIGHT | 2 |
| GENERAL INSTRUCTIONS - MINI | 3 |
| CONTROL ADJUSTMENT PROCEDURE - UPRIGHT & MINI | 4 |
| GENERAL INSTRUCTIONS - COCKTAIL | 5 |
| SWITCH ADJUSTMENTS | 6 |
| TEST DISPLAY | 7 |
| NO. 873—GORF UPRIGHT - PHOTOGRAPH | 8—10 |
| INTERIOR ACCESS PICTURE - UPRIGHT | 12—14 |
| NO. 926—GORF MINI - PHOTOGRAPH | 16—17 |
| INTERIOR ACCESS PICTURE - MINI | 18—19 |
| PUSH BUTTON ASSEMBLY - UPRIGHT & MINI | 20—21 |
| CONTROL GRIP ASSEMBLY - UPRIGHT & MINI | 22—23 |
| NO. 927—GORF COCKTAIL - PHOTOGRAPH | 24—25 |
| INTERIOR ACCESS PICTURE - COCKTAIL | 26—27 |
| CONTROL SHELF ASSEMBLY - COCKTAIL | 28—29 |
| CONTROL ASSEMBLY - COCKTAIL | 30—31 |
| PUSH BUTTON ASSEMBLY - COCKTAIL | 32—33 |
| DOUBLE ENTRY COIN DOOR ASSEMBLY | 34—35 |
| COMMERCIAL CARD RACK ASSEMBLY | 36—37 |
| TRANSFORMER BOARD ASSEMBLY | 38—39 |
| WIRING DIAGRAM - UPRIGHT | 41 |
| WIRING DIAGRAM - MINI | 42 |
| WIRING DIAGRAM - COCKTAIL | 43 |
| POWER SUPPLY BOARD - COMPONENT LAYOUT | 44 |
| POWER SUPPLY BOARD - SCHEMATIC | 45 |
| DRIVER BOARD - COMPONENT LAYOUT | 46 |
| DRIVER BOARD - SCHEMATIC | 47 |
| R-G-B INTERFACE BOARD - COMPONENT LAYOUT | 48 |
| R-G-B INTERFACE BOARD - SCHEMATIC | 49 |

WARNING

**THIS GAME MUST BE GROUNDED. FAILURE TO DO SO MAY
RESULT IN DESTRUCTION TO ELECTRONIC COMPONENTS.**

COPYRIGHT 1981 ©BY MIDWAY MFG. CO. ALL RIGHTS RESERVED.

NO PART OF THIS PUBLICATION MAY BE REPRODUCED BY ANY MECHANICAL, PHOTOGRAPHIC, OR ELECTRONIC PROCESS, OR IN THE FORM OF A PHONOGRAPHIC RECORDING, NOR MAY IT BE TRANSMITTED, OR OTHERWISE COPIED FOR PUBLIC OR PRIVATE USE, WITHOUT PERMISSION FROM THE PUBLISHER.

FOR PERMISSION REQUESTS, WRITE: MIDWAY MFG. CO., 10750 W. GRAND AVE., FRANKLIN PARK, IL 60131

TABLE OF CONTENTS

| | Page |
|---|-------|
| CONTROL GRIP BOARD - COMPONENT LAYOUT | 50 |
| CONTROL GRIP BOARD - SCHEMATIC | 51 |
| DISPLAY BOARD - COMPONENT LAYOUT | 52 |
| DISPLAY BOARD - SCHEMATIC | 53 |
| AUDIO AMPLIFIER BOARD - COMPONENT LAYOUT | 54 |
| AUDIO AMPLIFIER BOARD - SCHEMATIC | 55 |
| RAM BOARD - COMPONENT LAYOUT | 56 |
| RAM BOARD - SCHEMATIC | 57 |
| CPU BOARD - COMPONENT LAYOUT | 58 |
| CPU BOARD - SCHEMATIC | 59 |
| PATTERN TRANSFER BOARD - COMPONENT LAYOUT | 60 |
| PATTERN TRANSFER BOARD - SCHEMATIC | 61 |
| ROM/RAM BOARD (DOMESTIC) - COMPONENT LAYOUT | 62 |
| ROM/RAM BOARD (DOMESTIC) - SCHEMATIC | 63 |
| ROM/RAM BOARD (FOREIGN) - COMPONENT LAYOUT | 64 |
| ROM/RAM BOARD (FOREIGN) - SCHEMATIC | 65 |
| GAME LOGIC BOARD - COMPONENT LAYOUT | 66 |
| GAME LOGIC BOARD - SCHEMATIC | 67 |
| 19" MONITOR SCHEMATIC—WELLS GARDNER UPRIGHT & COCKTAIL | 68 |
| REPLACEMENT PARTS LIST | 69—70 |
| 19" MONITOR SCHEMATIC - ELECTROHOME UPRIGHT & COCKTAIL | 71 |
| REPLACEMENT PARTS LIST | 72—75 |
| 13" MONITOR SCHEMATIC - ELECTROHOME - MINI | 76 |
| REPLACEMENT PARTS LIST | 77—80 |
| MONITOR ADJUSTMENTS—WELLS GARDNER | 81—82 |
| MONITOR ADJUSTMENTS - ELECTROHOME | 83—85 |
| PRINTED CIRCUIT BOARD CHIP NUMBERS & FUNCTION | 86—87 |
| STRAPPING CHART | 88 |

WARNING: This equipment Generates, Uses and can Radiate Radio Frequency Energy and if not installed and used in accordance with the Instructions Manual, may cause interference to Radio Communications. As temporarily permitted by Regulation it has not been tested for compliance to Subpart J or Part 15 of FCC Rules, which are designed to provide reasonable protection against such interference. Operation of this equipment in a Residential Area is likely to cause interference in which case the user at his own expense will be required to take whatever measures may be required to correct the interference.

GENERAL INSTRUCTIONS FOR GORF UPRIGHT

INSTALLATION

1. Remove shipping cleats located on bottom of cabinet.
2. Install four (4) provided leg levelers to bottom of cabinet and level cabinet.
3. The power is controlled by a switch located on the top of the cabinet. Plug into A.C. only, 115 volts, 60 cycles.

LINE VOLTAGE SAFETY SWITCH

A line voltage safety switch has been provided for your protection. It is located on the right rear side of the cabinet. When the back door is removed, it opens the circuit to the line voltage. To restore power (when servicing) pull switch fully out.

VOLTAGE CONTROL POTS

Located on power supply board (P.C. A082-90411-A000) and are preset at the factory. These pots should not be tampered with unless the distributor service department is contacted.

TO SERVICE CONTROL PANEL

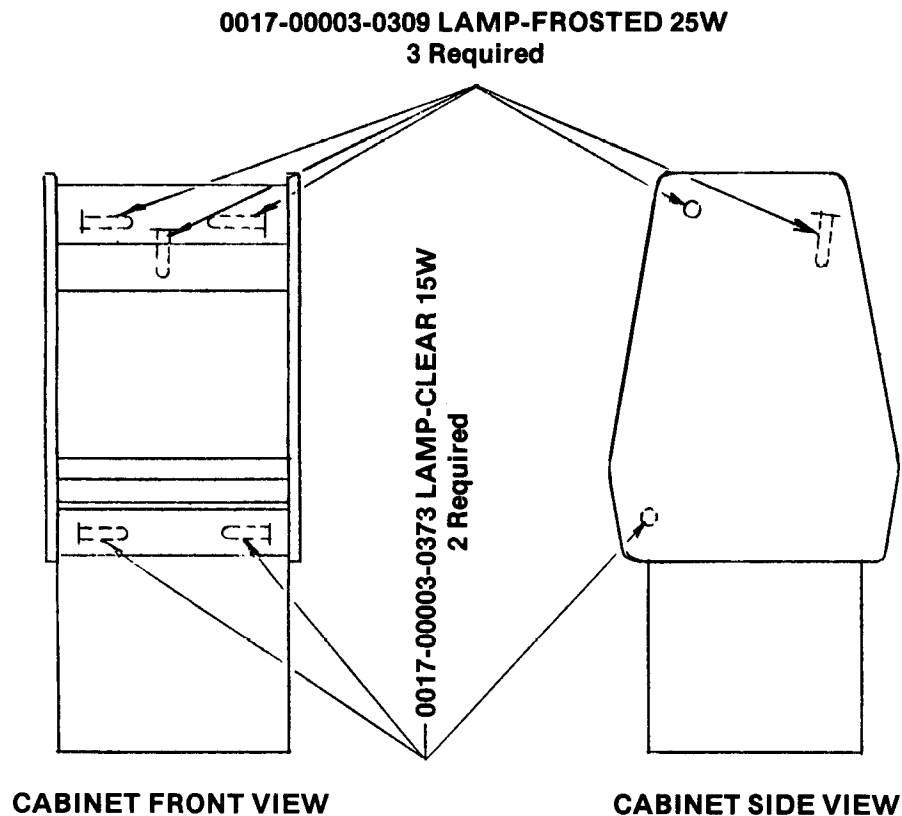
1. Open coin box door.
2. Release two (2) clamps located above coin door opening.
3. Disconnect control cable jack before removing.

VOLUME CONTROL

Located on audio amplifier P.C. board controls the volume of all sounds and may be varied as desired by rotating pot control.

The audio amplifier board is located inside the front door for easy access.

M051-00873-A003



0873 GORF UPRIGHT LAMP LOCATION DRAWING

GENERAL INSTRUCTIONS FOR GORF MINI

INSTALLATION

1. Remove shipping cleats located on bottom of cabinet.
2. Install four (4) provided leg levelers to bottom of cabinet and level cabinet.
3. The power is controlled by a switch located on the back of the cabinet. Plug into A.C. only, 115 volts, 60 cycles.

LINE VOLTAGE SAFETY SWITCH

A line voltage safety switch has been provided for your protection. It is located on the right rear side of the cabinet. When the back door is removed, it opens the circuit to the line voltage. To restore power (when servicing) pull switch fully out.

VOLTAGE CONTROL POTS

Located on power supply board (P.C. A082-90411-A000) and are preset at the factory. These pots should not be tampered with unless the distributor service department is contacted.

TO SERVICE CONTROL PANEL

1. Open coin box door.
2. Release two (2) clamps located below control panel on each side of cabinet.
3. Disconnect control cable jack before removing.

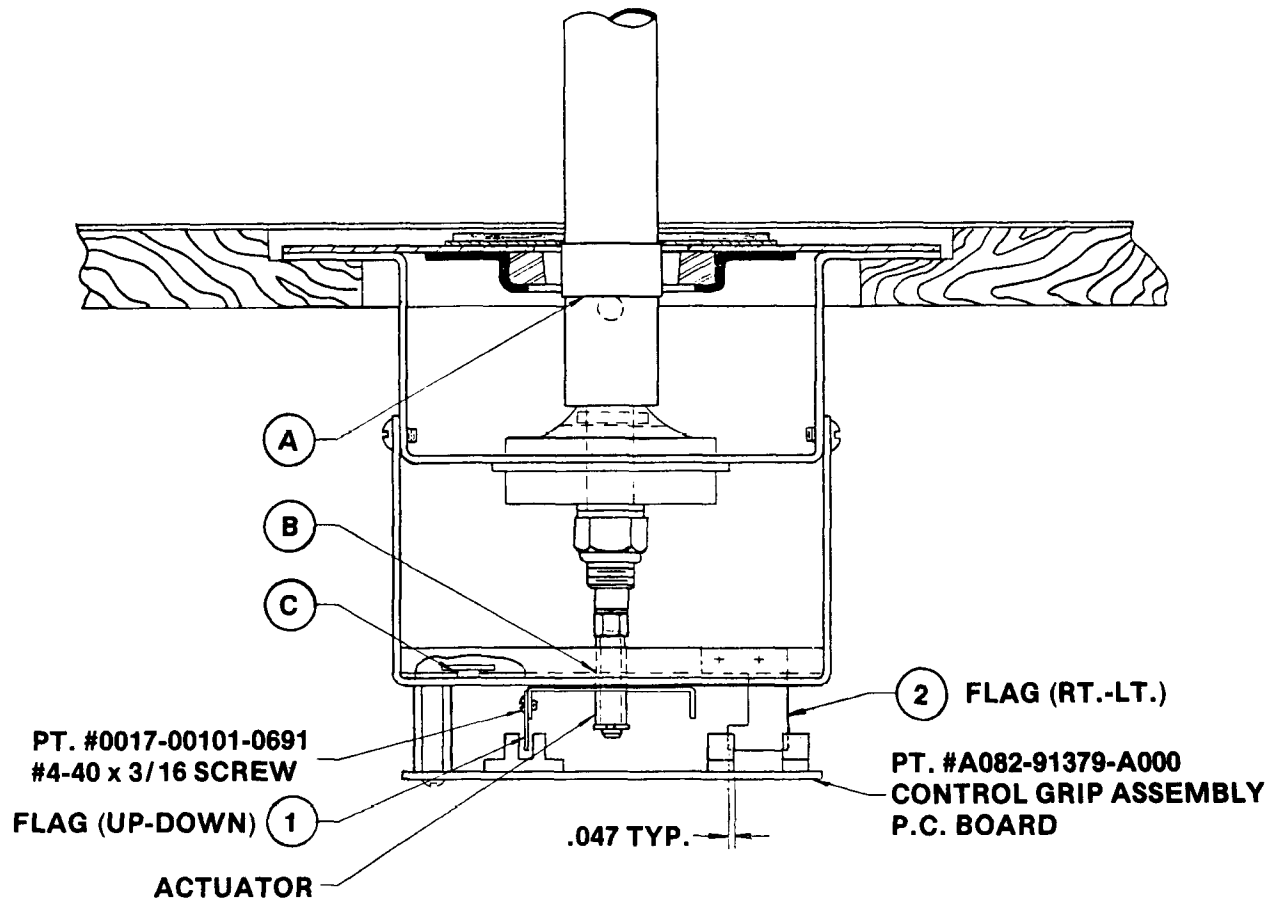
VOLUME CONTROL

Located on audio amplifier P.C. Board controls the volume of all sounds and may be varied as desired by rotating pot control.

The audio amplifier board is located inside the front door for easy access.

M051-00926-A003

CONTROL ADJUSTMENT PROCEDURE UPRIGHT & MINI



NOTES:

1. ITEMS 1 AND 2 TO BE ADJUSTED WITH A GAGE SO THE SIDES ARE INSIDE THE SENSOR APPROX. .047 ON EACH SIDE OF SENSOR (AS SHOWN) WHEN ACTUATOR IS IN ITS FREE POSITION.
2. LUBRICATE AT POINT A, B, C, WITH GREASE MIDWAY PT. #0017-00008-0087.

GENERAL INSTRUCTIONS FOR GORF COCKTAIL TABLE

INSTALLATION

1. Remove shipping cleats located on bottom of cabinet.
2. Install four (4) provided leg levelers to bottom of cabinet and level cabinet.
3. The power is controlled by a switch located on the bottom of the cabinet below the first player. Plug into A.C. only, 115 volts, 60 cycles.

LINE VOLTAGE SAFETY SWITCH

A line voltage safety switch has been provided for your protection. It is located in the cabinet on the left side of the coin door. When the coin door is opened, the circuit to the line voltage is interrupted. To restore power (when servicing) pull switch fully out.

VOLTAGE CONTROL POTS

Located on power supply board (P.C. A082-90411-A000) and are preset at the factory. These pots should not be tampered with unless the Distributor Service Department is contacted.

TO SERVICE CONTROL PANEL

1. Open coin box door.
2. Release two (2) clamps located above coin door opening.
3. Disconnect control cable jack before removing.

VOLUME CONTROL

Located on audio amplifier P.C. board controls the volume of all sounds and may be varied as desired by rotating pot control.

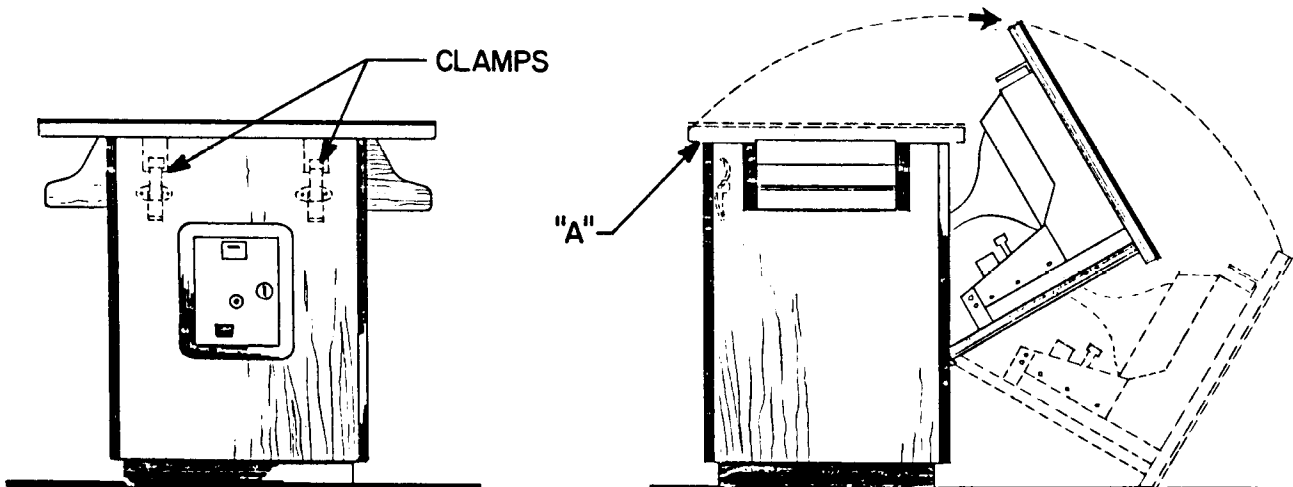
The audio amplifier board is located inside the front door for easy access.

M051-00927-A003

TO SERVICE MONITOR, GAME BOARD AND TRANSFORMER ASSY.

1. Open coin box door and release two (2) clamps indicated on sketch below.
2. Grasp monitor mounting panel at "A" and open as indicated in sketch below.

Caution: Due to the weight of the monitor extreme care must be exercised when opening cabinet for service.



LEFT COIN SLOT AND BASE ADJUSTMENT SWITCHES

Switch 1

OFF
1 Coin, 1 Player
2 Coins, 1 Player
2 Coins, 2 Players
4 Coins, 2 Players

ON

2 Coins, 1 Player
4 Coins, 1 Player
4 Coins, 2 Players
8 Coins, 2 Players

Switch 5

OFF
2 Bases
4 Bases
2 Bases each
4 Bases each

2 Bases
4 Bases
2 Bases each
4 Bases each

Switch 5

ON
3 Bases
6 Bases
3 Bases each
6 Bases each

3 Bases
6 Bases
3 Bases each
6 Bases each

RIGHT COIN SLOT AND BASE ADJUSTMENT SWITCHES

Switch 2

OFF

ON

Switch 3

OFF
1 Coin, 1 Player
2 Coins, 1 Player
2 Coins, 2 Players
4 Coins, 2 Players

OFF

2 Coins, 1 Player
4 Coins, 1 Player
4 Coins, 2 Players
8 Coins, 2 Players

Switch 5

OFF
2 Bases
4 Bases
2 Bases each
4 Bases each

2 Bases
4 Bases
2 Bases each
4 Bases each

Switch 5

ON
3 Bases
6 Bases
3 Bases each
6 Bases each

3 Bases
6 Bases
3 Bases each
6 Bases each

LANGUAGE OPTION SWITCH

Switch 4

OFF - English Language

ON - Foreign Language (requires A082-91374-A000)

BONUS BASE ADJUSTMENT SWITCH

Switch 6

OFF - Bonus Base awarded after Mission 5

ON - No Bonus Base awarded

COIN/FREE PLAY SWITCH

Switch 7

OFF - Coin Play

ON - Free Play (provided as service aid)

ATTRACTION SOUNDS OPTION SWITCH

Switch 8

OFF - Game attraction sound operate during game over

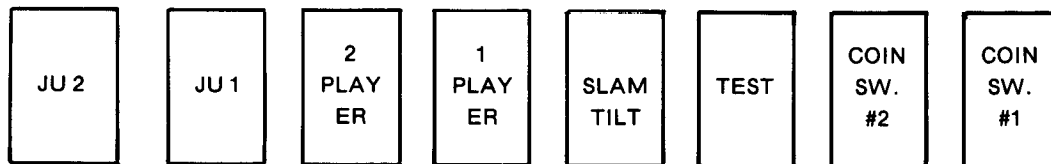
ON - Game attraction sounds do not operate during game over

ELECTRICAL BULLETIN: FOR ALL APPARATUS COVERED BY THE CANADIAN STANDARDS ASSOCIATION (CSA) STANDARD C22.2 NO. 1, WHICH EMPLOYS A SUPPLY CORD TERMINATED WITH A POLARIZED 2-PRONG ATTACHMENT PLUG.

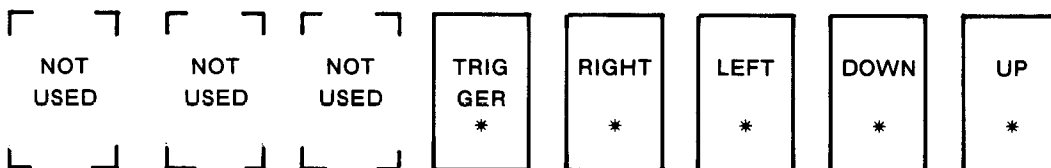
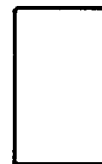
CAUTION: TO PREVENT ELECTRIC SHOCK DO NOT USE THIS (POLARIZED) PLUG WITH AN EXTENSION CORD, RECEPTACLE OR OTHER OUTLET UNLESS THE BLADES CAN BE FULLY INSERTED TO PREVENT BLADE EXPOSURE.

ATTENTION: POUR PREVENIR CHOCS ELECTRIQUES NE PAS UTILISER CETTE FICHE POLARISEE AVEC UN PROLONGATEUR. UNE PRISE DE COURANT OU UNE AUTRE SORTIE DE COURANT, SAUF SI LES LAMES PEUVENT ETRE INSEREES A FOND SANS EN LAISSER AUCUNE PARTIE A DECOUVERT.

TEST DISPLAY FOR GORF

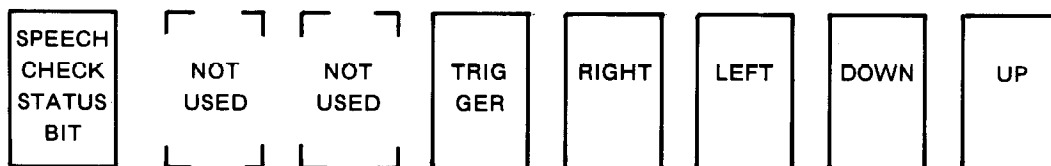


DISPLAY CAN
BE SEEN

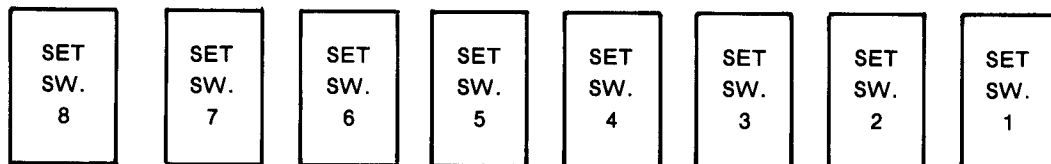


SW. OFF OR
JUMPED NOT
INSTALLED

DISPLAY CANNOT
BE SEEN



[]
SW. ON OR
JUMPER INSTALLED



* ACTIVATED BY
2ND SET OF
PLAYER CONTROLS,
USED IN COCKTAIL
CABINET ONLY

A B C D E F G H



A LETTER APPEARING HERE INDICATES A BAD ROM/E PROM

Placing the test switch (located on the Audio amplifier assy. in the coin box area) to "on" performs the following functions:

1. Removes all accumulated credits.
2. Test the screen rams.
3. Test the static rams.
4. Test all switches.

If a screen ram is defective random bars will flash on screen.

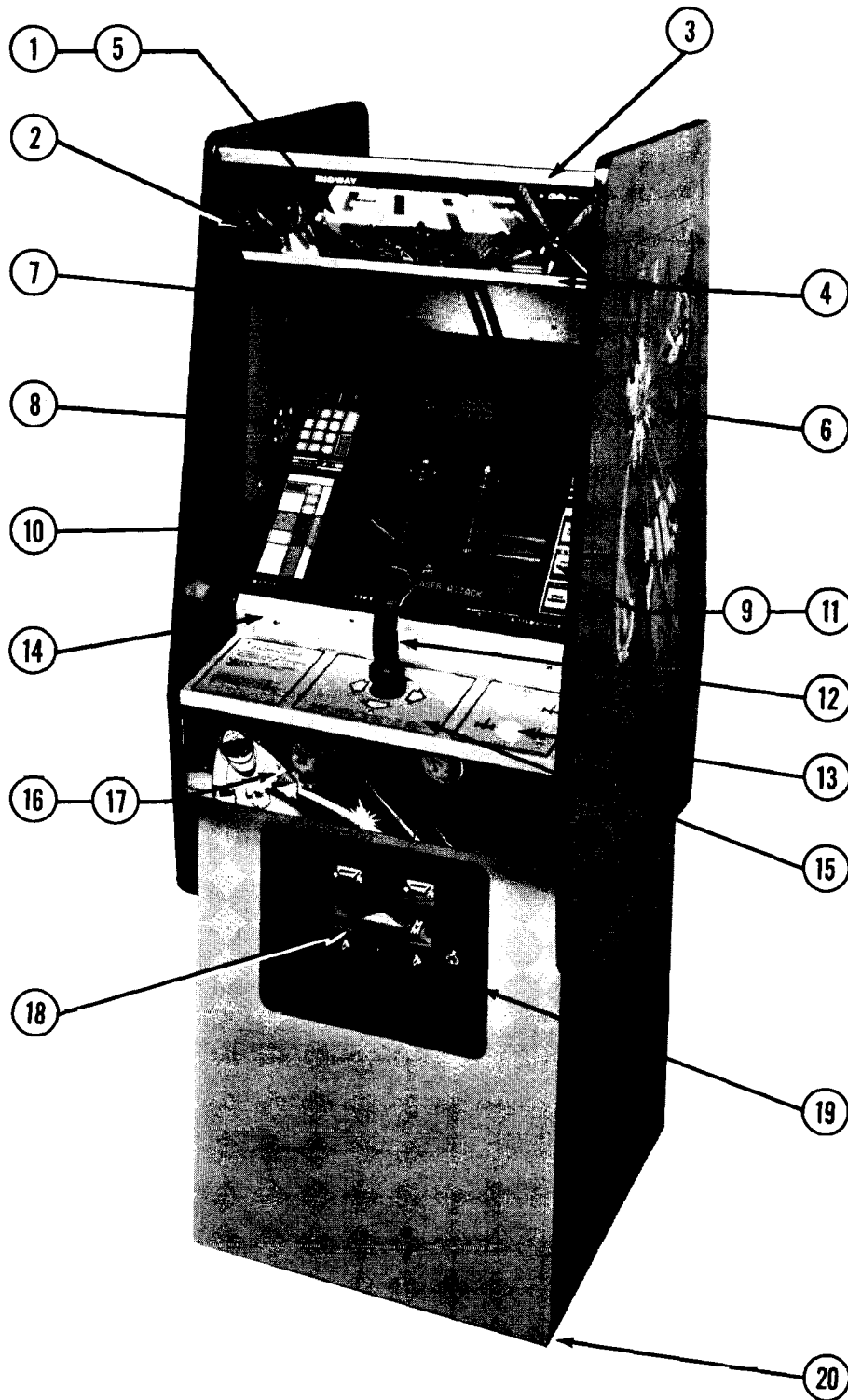
If a static ram is defective a random dotted pattern will flash on screen.

Dotted pattern will flash on the screen. If all rams are good the switch test pattern will appear on the screen.

All switches must be "off" to get the pattern shown above. When each switch is turned on the position of that switch will disappear.

Time delay between returning test switch to "off" and game over sequence is normal approx. 25 seconds.

NO. 873 — GOLF UPRIGHT — PHOTOGRAPH



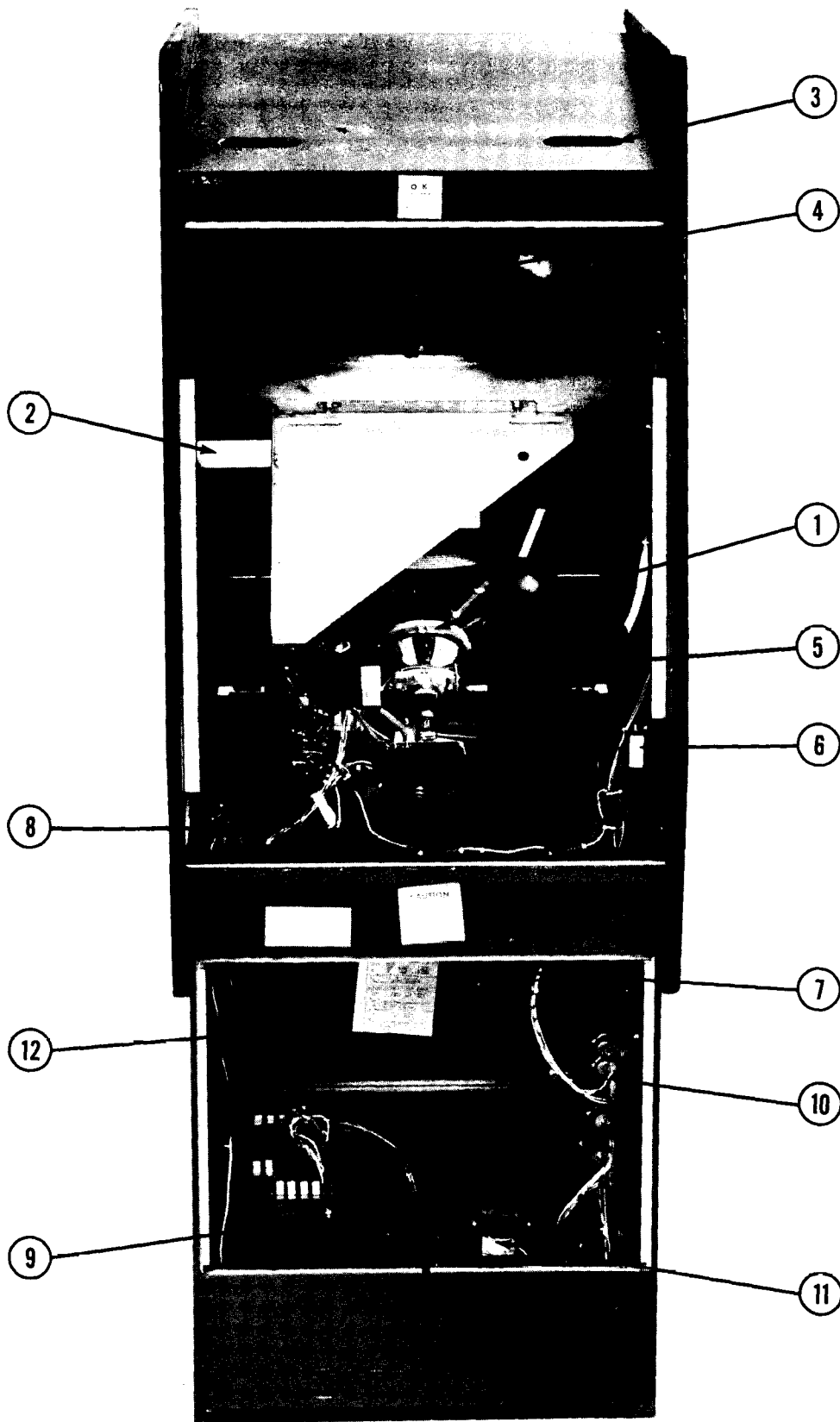
NO. 873 — GORF UPRIGHT — PHOTOGRAPH
ORDER BY PART NUMBER ONLY

| ITEM | PART N ^o | DESCRIPTION |
|------|---------------------|---|
| 1 | 0873-00905-00XF | ACRYLIC HEADER - 22-3/8" x 7-7/16" x 3/16" |
| 2 | 0537-00903-0048 | GLASS CHANNEL - 7-1/2" LG. (2 REQ'D.) |
| 3 | 0873-00107-00XF | TOP HEADER BRKT. - 22-13/16" LG. |
| 4 | 0873-00105-00XF | BOTTOM HEADER BRKT. - 22-13/16" LG. |
| 5 | 0017-00101-0117 | #8 x 5/8 PHIL. TRS. HD. S.M.S. (6 REQ'D.) |
| 5 | A873-00036-0000 | TOP HEADER LIGHT ASSY. |
| 5 | 0873-00103-0000 | LIGHT FIXTURE BRKT. (2 REQ'D.) |
| 5 | 0873-00912-0000 | INSULATOR - FISHPAPER (2 REQ'D.) |
| 5 | 0017-00101-0626 | #8-32 x 3/4 SLT. PAN HD. M.S. (4 REQ'D.) |
| 5 | 0017-00103-0061 | #8-32 HEX NUT W/SEMS (4 REQ'D.) |
| 5 | 0017-00003-0135 | LAMP SOCKET #138 (2 REQ'D.) |
| 5 | 0017-00003-0309 | FROSTED LAMP 25W., 120V. (2 REQ'D.) |
| 6 | 0873-00913-0000 | DECAL (2 REQ'D.) |
| 7 | 0873-00904-00XF | PLASTIC BACKGROUND SCENERY |
| 7 | 0873-00104-0000 | REAR SCENERY BRKT. - 8-3/8" LG. (2 REQ'D.) |
| 7 | 0873-00101-00XF | GLASS BRKT. - 22-13/16" LG. |
| 7 | 0873-00106-0000 | REAR PLEXI BRKT. |
| 7 | 0017-00101-0026 | #8 x 5/8 SLT. HEX HD. S.M.S. (8 REQ'D.) |
| 8 | 0873-00908-00XF | DECORATIVE SIDE PANEL - LEFT |
| 8 | 0873-00908-01XF | DECORATIVE SIDE PANEL - RIGHT (NOT SHOWN) |
| 8 | 0017-00007-0157 | #4 CARPET TACK (6 REQ'D.) |
| 9 | 0873-00903-00XF | DECORATIVE DISPLAY GLASS 22-5/16" x 20-7/8" x 1/8" |
| 10 | 0905-00903-0200 | GLASS EDGE CHANNEL - 19-7/8" LG. (2 REQ'D.) |
| 11 | A873-00014-0000 | DISPLAY INSERT LIGHT ASSY. |
| 11 | 0873-00914-0000 | PLASTIC LIGHT INSERT |
| 11 | 0017-00031-0029 | WEDGE BASE LAMP SOCKET #1532 (6 REQ'D.) |
| 11 | 0017-00003-0218 | LAMP #161 - 14V., .19A. (6 REQ'D.) |
| 11 | A084-91376-A873 | DISPLAY BOARD ASSEMBLY |
| 11 | 0873-00125-0000 | LIGHT INSERT BRKT. |
| 11 | 0017-00101-0642 | #8-32 x 1-1/2 CARRIAGE BOLT (2 REQ'D.) |
| 11 | 0017-00103-0061 | #8-32 HEX NUT W/SEMS (2 REQ'D.) |
| 11 | 0017-00101-0018 | #6 x 3/4 SLT HEX HD. M.S. (2 REQ'D.) |
| 12 | A873-00005-0000 | CONTROL GRIP ASSEMBLY |
| 13 | A739-00012-0000 | PUSH BUTTON ASSY. (2 REQ'D.) |

NO. 873 — GORF UPRIGHT — PHOTOGRAPH
ORDER BY PART NUMBER ONLY

| ITEM | PART NO | DESCRIPTION |
|------|---|--|
| 14 | 0873-00112-00XF 0017-00101-0764 0017-00104-0023 | GLASS HOLD DOWN BRKT. #10-32 TRUSS HD. SCR. (3 REQ'D.) #10 EXT. WASHER (3 REQ'D.) |
| 15 | 0873-00119-00XF 0017-00101-0118 0017-00104-0030 0017-00103-0061 | CONTROL PLATE - DECORATIVE #8-32 x 1-1/16 CARRIAGE BOLT (6 REQ'D.) #8 WASHER (6 REQ'D.) #8-32 HEX NUT W/SEMS (6 REQ'D.) |
| 16 | 0873-00907-00XF 0873-00111-0000 0017-00101-0597 | BOTTOM DECORATIVE HEADER HEADER BRKT. #8-32 x 5/16 SLT. HEX HD. SCR. (8 REQ'D.) |
| 17 | A873-00016-0000 0873-00108-0100 0873-00912-0000 0017-00101-0626 0017-00103-0061 0017-00003-0135 0017-00003-0373 | BOTTOM HEADER LIGHT ASSY. LIGHT FIXTURE BRKT. (2 REQ'D.) INSULATOR - FISHPAPER (2 REQ'D.) #8-32 x 3/4 SLT. PAN HD. M.S. (4 REQ'D.) #8-32 HEX NUT W/SEMS (4 REQ'D.) LAMP SOCKET #138 (2 REQ'D.) CLEAR LAMP 15W., 120V. (2 REQ'D.) |
| 18 | A090-00076-02BK | DOUBLE ENTRY COIN DOOR ASSY. |
| 19 | 0090-00002-02BK 0017-00101-0121 | COIN DOOR FRAME #6-32 x 5/16 PHIL. TRS. HD. SCR. (3 REQ'D.) (MOUNTS COIN DOOR TO FRAME) |
| 20 | 0017-00102-0048 0017-00103-0026 | 3/8-16 x 2'' LEG LEVELERS (4 REQ'D.) 3/8-16 LEG LEVELER HEX NUT (4 REQ'D.) |
| | 0017-00003-0187 0151-00011-0000 0017-00101-0639 0017-00103-0061 A873-00035-0000 0873-00906-0000 0935-00904-0000 | <u>NOT SHOWN LIST</u> SPEAKER - 6'' x 9'', 8 OHM, 9W. (2 REQ'D.) SPEAKER GRILL (2 REQ'D.) #8-32 x 1-1/4 CARRIAGE BOLT (8 REQ'D.) #8-32 HEX NUT W/SEMS (8 REQ'D.) BEZEL ASSY. BEZEL SMOKED PLEXI-GLASS |

NO. 873 — GORF UPRIGHT — INTERIOR ACCESS PICTURE



NO. 873 — GORF UPRIGHT — INTERIOR ACCESS PICTURE

ORDER BY PART NUMBER ONLY

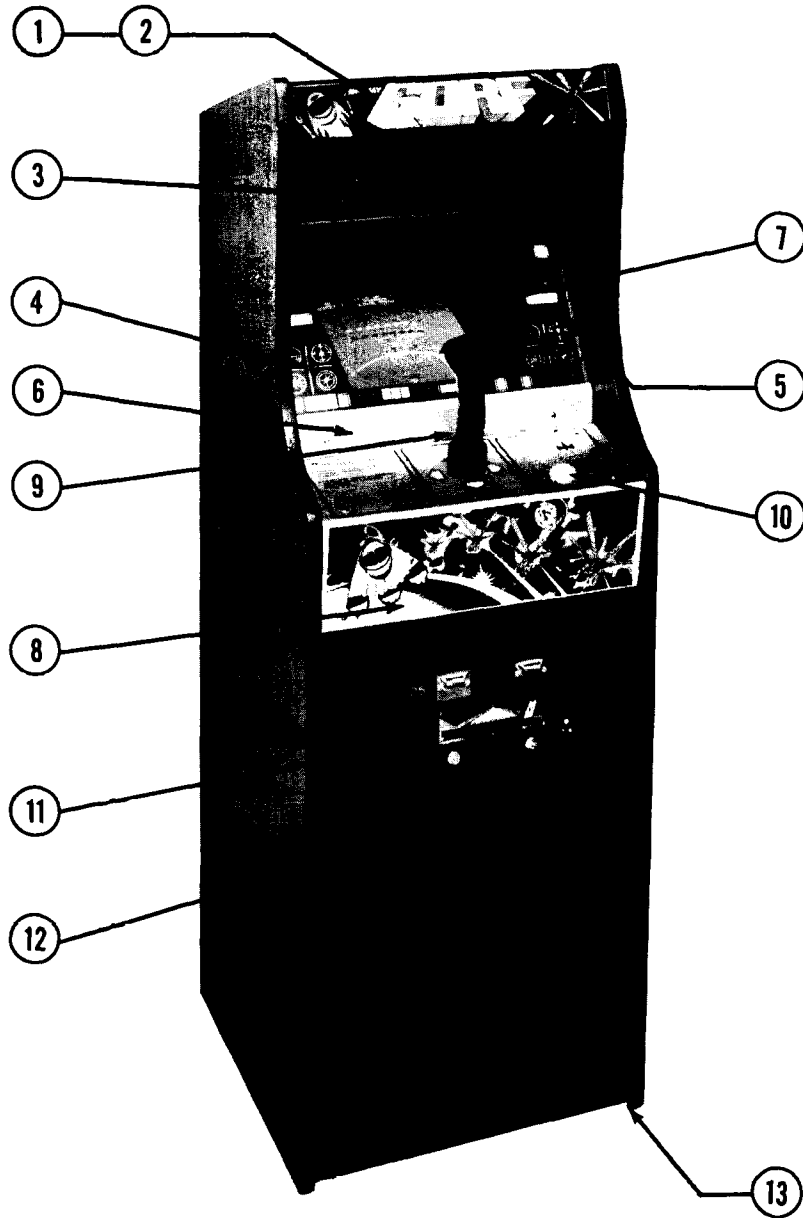
| ITEM | PART NO | DESCRIPTION |
|------|-----------------|---|
| 1 | 0017-00003-0339 | ELECTROHOME 19" COLOR DUAL SYNC |
| 1 | 0017-00003-0354 | HORIZ. MTG. MONITOR (OR) WELLS-GARDNER 19" COLOR DUAL |
| 2 | 0873-00110-0000 | SYNC HORIZ MTG. MONITOR |
| | 0873-00121-0000 | MONITOR BRKT. |
| | 0017-00102-0012 | TOP MONITOR BRKT. |
| | 0017-00104-0014 | 1/4-20 x 1-1/4 UNSLOT. HEX HD. BOLT (4 REQ'D.) |
| | 0017-00103-0018 | PERIPHERY WASHER (4 REQ'D.) |
| 3 | 0017-00032-0083 | 1/4-20 HEX NUT (4 REQ'D.) |
| | 0567-00106-0100 | ON-OFF SWITCH W/NUT |
| | 0017-00101-0028 | SWITCH PLATE |
| 4 | A873-00013-0000 | #8 x 3/4 HEX HD. SCR. (4 REQ'D.) |
| | 0873-00103-0000 | LIGHT ASSY. |
| | 0017-00101-0626 | LIGHT BRKT. |
| | 0017-00103-0061 | #8-32 x 3/4 SLT. PAN HD. M.S. (2 REQ'D.) |
| | 0017-00003-0135 | #8-32 HEX NUT W/SEMS (2 REQ'D.) |
| | 0017-00003-0309 | LAMP SOCKET #138 |
| 5 | 0017-00009-0033 | FROSTED LAMP 25W., 120V. |
| | 0603-00131-0000 | BASSICK CLAMP (2 REQ'D.) |
| | 0017-00101-0028 | STRIKE (2 REQ'D.) |
| 6 | A151-00027-0000 | #8 x 3/4 SLT. HEX HD. SCR. (4 REQ'D. - CLAMP, 4 REQ'D. - STRIKE) |
| | 0017-00101-0026 | INTERLOCK SW. & BRKT. ASSY. |
| 7 | 0902-00108-0000 | #8 x 5/8 HEX HD. S.M.S. (2 REQ'D.) |
| | A082-90903-A000 | AUDIO AMPL. BRKT. - HEATSINK |
| | 0017-00003-0205 | AUDIO AMPL. BRD. ASSY. - STEREO |
| | 0017-00101-0107 | MICA INSULATOR (2 REQ'D.) |
| | 0017-00007-0153 | #6 x 5/16 SLT. HEX HD. SCR. (4 REQ'D.) |
| | 0017-00042-0014 | P.C. BRD. SUPPORT (4 REQ'D.) |
| | 0017-00101-0716 | HEYCO NUT 1/4" (3 REQ'D.) |
| | 0017-00103-0060 | #6-32 x 1/4 SLT. RND. HD. M.S. (2 REQ'D.) |
| 8 | A082-91363-A000 | #6-32 HEX NUT (2 REQ'D.) |
| | 0017-00101-0018 | R-G-B INTERFACE P.C. BRD. ASSY. |
| 9 | A873-00009-0000 | #6 x 3/4 SLT. HEX HD. SCR. (4 REQ'D.) |
| | | CARD RACK ASSY. W/P.C.B.'S |

NO. 873 — GORF UPRIGHT — INTERIOR ACCESS PICTURE

ORDER BY PART NUMBER ONLY

| ITEM | PART NO | DESCRIPTION |
|------|---|--|
| 10 | A082-90411-A000 0624-00902-0100 0624-00902-0300 0017-00104-0037 0017-00101-0028 | POWER SUPPLY BRD. ASSY. P.C. SUPPORT BRKT - 12'' LG. (2 REQ'D.) P.C. SUPPORT BRKT. - 2-1/2'' LG. (2 REQ'D.) 1/16 THK. FLAT WASHER (10 REQ'D.) #8 x 3/4 HEX HD. SCR. (10 REQ'D.) |
| 11 | A873-00010-0000 | TRANSFORMER BRD. ASSY. |
| 12 | 0017-00009-0477 A905-00026-0000 A624-00001-0000 0624-00101-0000 0017-00101-0628 0017-00104-0022 0017-00103-0061 | CASH BOX - MOLDED CASH BOX COVER ASSY. CASH BOX GUIDE BRKT. ASSY. CASH BOX GUIDE BRKT. #8-32 x 3/4 CARRIAGE BOLT (4 REQ'D.) #8 FLAT WASHER (4 REQ'D.) #8-32 HEX NUT W/SEMS (4 REQ'D.) |
| | 0017-00004-0022 0926-00904-0000 0017-00101-0579 0017-00104-0017 0017-00103-0005 0017-00009-0490 A151-00029-0000 | <u>NOT SHOWN LIST</u> 304 DYMAX STRAP PROTECTIVE BUBBLE - UPPER BACK DOOR #6-32 x 1'' CARRIAGE BOLT (10 REQ'D.) #6 FLAT WASHER (10 REQ'D.) #6-32 HEX NUT W/SEMS (10 REQ'D.) 5-5/8 SQ. VENT GRILL (4 REQ'D.) BACK DOOR LOCK ASSY. (2 REQ'D.) |

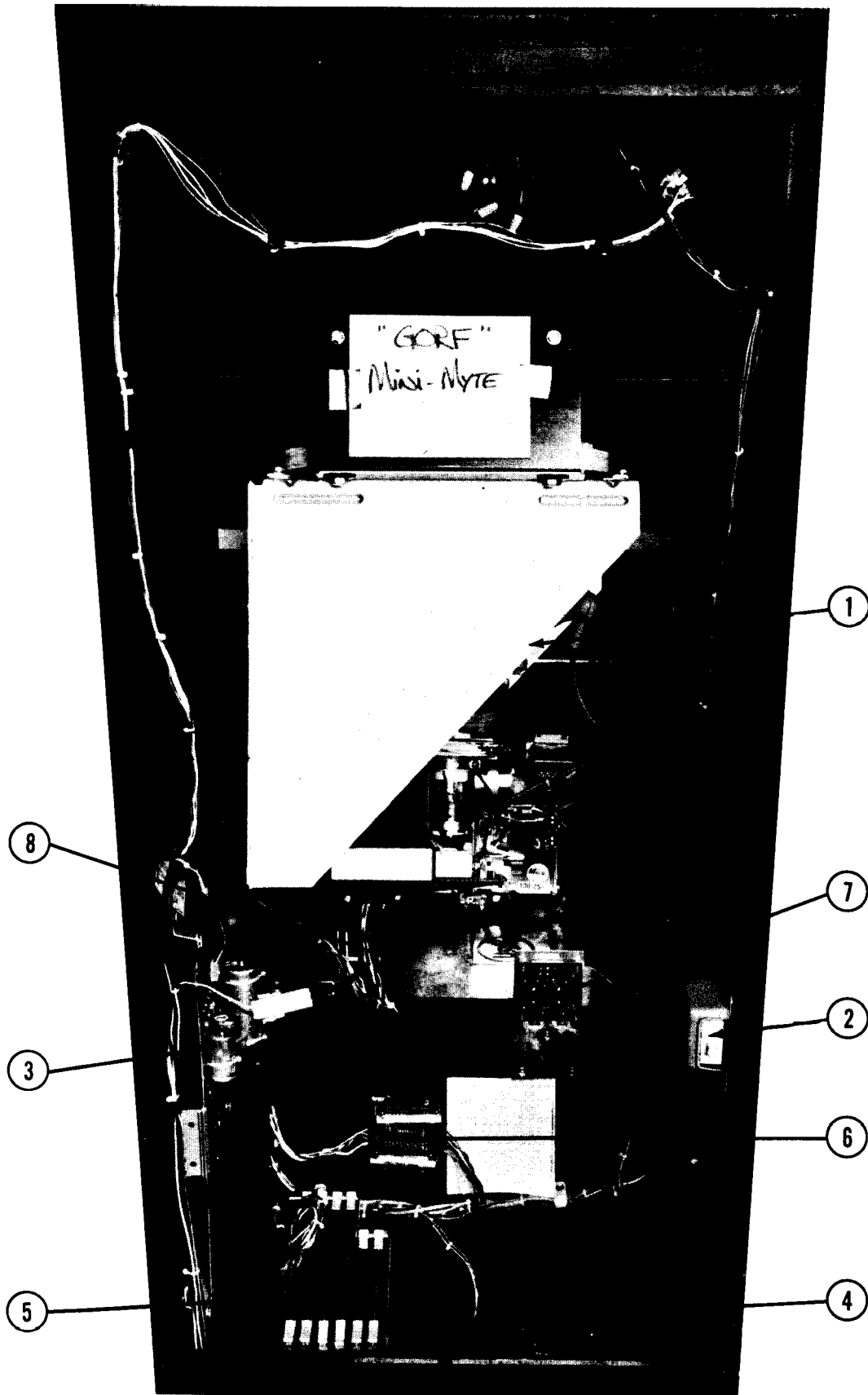
NO. 926 — GORF MINI — PHOTOGRAPH



ORDER BY PART NUMBER ONLY

| ITEM | PART NO | DESCRIPTION |
|------|-----------------|---|
| 1 | 0926-00903-0000 | DISPLAY PLEX |
| | 0017-00101-0117 | #8 x 5/8 PHIL. TRUSS HD. SCREW (8 REQ'D.) |
| 2 | A926-00010-0000 | INSERT DISPLAY ASSY. |
| | 0017-00031-0030 | LIGHT SOCKET (5 REQ'D.) |
| | 0017-00003-0219 | LAMP #194 14V .27A WEDGE (5 REQ'D.) |
| 3 | 0017-00003-0161 | SPEAKER 4" SQ. 8 OHM 3W (2 REQ'D.) |
| | 0017-00009-0482 | SPEAKER GRILL (2 REQ'D.) |
| | 0017-00101-0127 | #8-32 x 1-3/8 CARRIAGE BOLT (8 REQ'D.) |
| | 0017-00103-0061 | #8-32 HEX NUT W/SEMS (8 REQ'D.) |
| 4 | 0926-00901-00XF | MAIN GLASS |
| 5 | 0905-00903-0300 | GLASS CHANNEL 11-3/4 (2 REQ'D.) |
| 6 | 0926-00103-00XF | GLASS CLAMPING PLATE |
| | 0017-00101-0760 | #10-32 x 1" PHIL. RND. HD. W/WASHER (2 REQ'D.) |
| 7 | 0926-00905-0000 | T.V. BEZEL |
| | 0926-00902-0000 | PLEXI GLASS |
| 8 | 0926-00102-00XF | CONTROL PLATE |
| | 0017-00101-0118 | #8-32 x 1-1/8 CARRIAGE BOLT (4 REQ'D.) |
| | 0017-00104-0030 | #8 FLAT WASHER (4 REQ'D.) |
| | 0017-00103-0061 | #8-32 HEX NUT W/SEMS (4 REQ'D.) |
| | 0017-00101-0065 | #6 x 1/2 PHIL. TRUSS HD. SCREW (2 REQ'D.) |
| 9 | A873-00005-0000 | CONTROL GRIP ASSY. |
| 10 | A739-00012-0000 | PUSH BUTTON ASSY. (2 REQ'D.) |
| 11 | A090-00076-02BK | FRONT DOOR ASSY. |
| | A090-00057-0000 | COUNTER METER ASSY. |
| 12 | 0090-00002-02BK | COIN DOOR FRAME |
| | 0017-00101-0121 | #6-32 x 5/16 PHIL. TRS. HD. SCREW (3 REQ'D.) (MOUNTS COIN DOOR TO FRAME) |
| 13 | 0017-00102-0048 | LEG LEVELERS (4 REQ'D.) |
| | 0017-00103-0026 | LEG LEVELER NUTS (4 REQ'D.) |
| | | NOT SHOWN LIST |
| | 0017-00009-0033 | BASSICK CLAMP (2 REQ'D.) |
| | 0603-00131-0000 | STRIKE (2 REQ'D.) |
| | 0017-00101-0028 | #8 x 3/4 SLT. HEX SCREW (4 REQ'D. CLAMP - 4 REQ'D. STRIKE) |

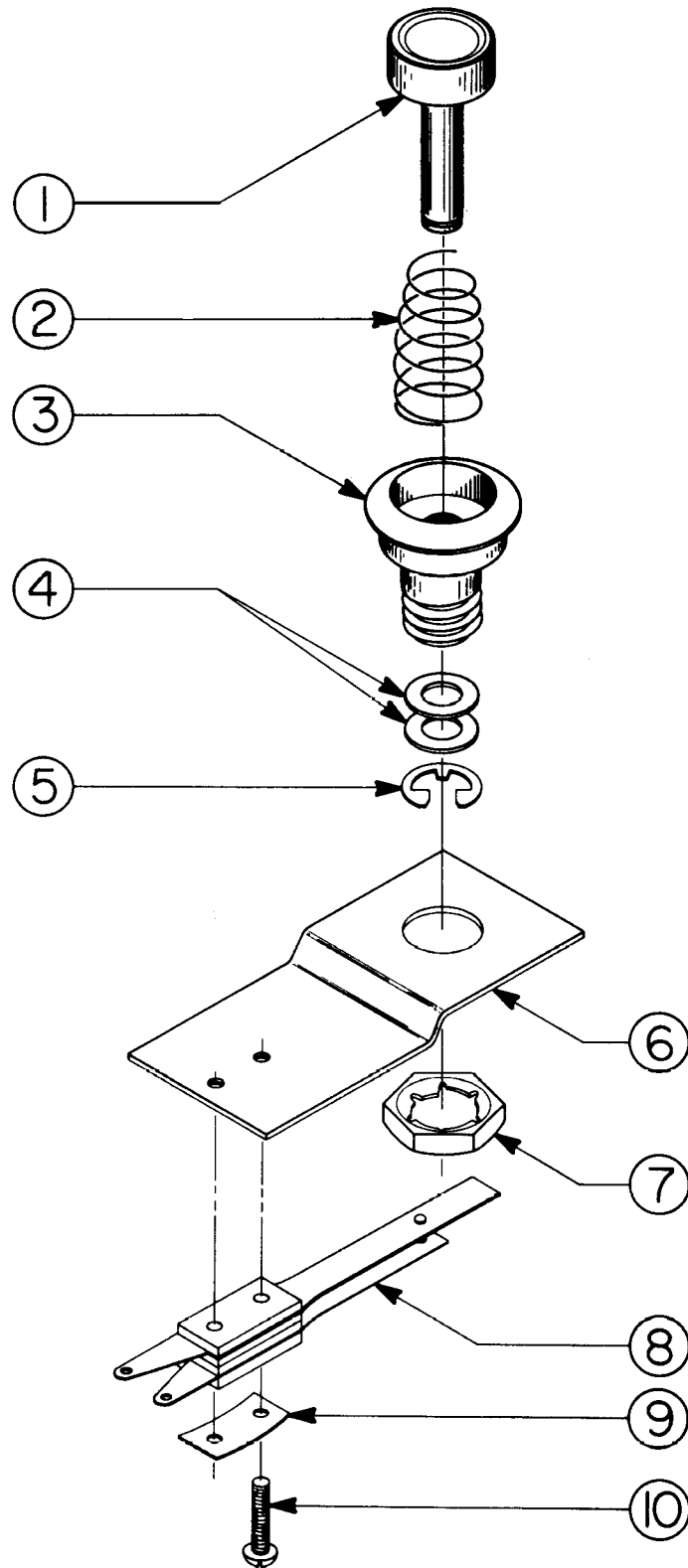
NO. 926 — GORF MINI — INTERIOR ACCESS PICTURE



NO. 926 — GORF MINI — INTERIOR ACCESS PICTURE
ORDER BY PART NUMBER ONLY

| ITEM | PART NO | DESCRIPTION |
|------|-----------------|--|
| 1 | 0017-00003-0340 | 13" COLOR DUAL SYNC HORIZ. MTG. MONITOR - ELECTROHOME (OR) |
| 1 | 0017-00003-0369 | 13" COLOR DUAL SYNC HORIZ. MTG. MONITOR - WELLS-GARDNER |
| | A926-00012-00XF | T.V. MTG. BRKT ASSY. |
| | 0017-00101-0628 | #8-32 x 3/4 CARRIAGE BOLT (4 REQ'D.) |
| | 0017-00104-0026 | #8 FLAT WASHER (4 REQ'D.) |
| | 0017-00103-0061 | #8-32 HEX NUT W/SEMS (4 REQ'D.) |
| 2 | A151-00027-0000 | INTERLOCK SWITCH & BRKT. ASSY. |
| | 0017-00101-0028 | #8 x 3/4 SLT. HEX HD. WD. SCR. (2 REQ'D.) |
| 3 | A082-90411-A000 | POWER SUPPLY P.C.B. |
| | 0624-00902-0100 | P.C. SUPPORT BRKT. 12" (2 REQ'D.) |
| | 0624-00902-0300 | P.C. SUPPORT BRKT. 2-1/2" (2 REQ'D.) |
| 4 | A873-00010-0000 | TRANSFORMER BD. ASSY. |
| 5 | A789-00002-0000 | CARD RACK ASSY. |
| 6 | A082-91363-A000 | R-G-B INTERFACE P.C.B. ASSY. |
| 7 | A082-90903-A000 | AUDIO AMP P.C.B. ASSY. STEREO |
| 8 | A905-00028-0000 | CASH BOX ASSY. W/HANDLE |
| | 0905-00126-00XF | CASH BOX HANDLE |
| | A905-00026-0000 | CASH BOX COVER ASSY. |
| | A624-00001-0000 | CASH BOX GUIDE BRKT. ASSY. |
| | 0624-00101-0000 | CASH BOX GUIDE BRKT. |
| | A097-00003-0000 | <u>ADDITIONAL PARTS LIST</u> LOCK ASSY. - BACK DOOR |
| | 0017-00009-0490 | VENT GRILL (2 REQ'D.) |
| | 0926-00904-0000 | PROTECTIVE BUBBLE - BACK DOOR |
| | 0017-00032-0083 | ON-OFF SWITCH |
| | 0567-00106-0100 | ON-OFF SWITCH MTG. PLATE |
| | A082-90508-A000 | DRIVER P.C.B. ASSY. |
| | A873-00023-0000 | STEREO AUDIO AMP BD. & BRKT. ASSY. |

NO. 873 & 926 — GOLF UPRIGHT & MINI — PUSH BUTTON ASSEMBLY

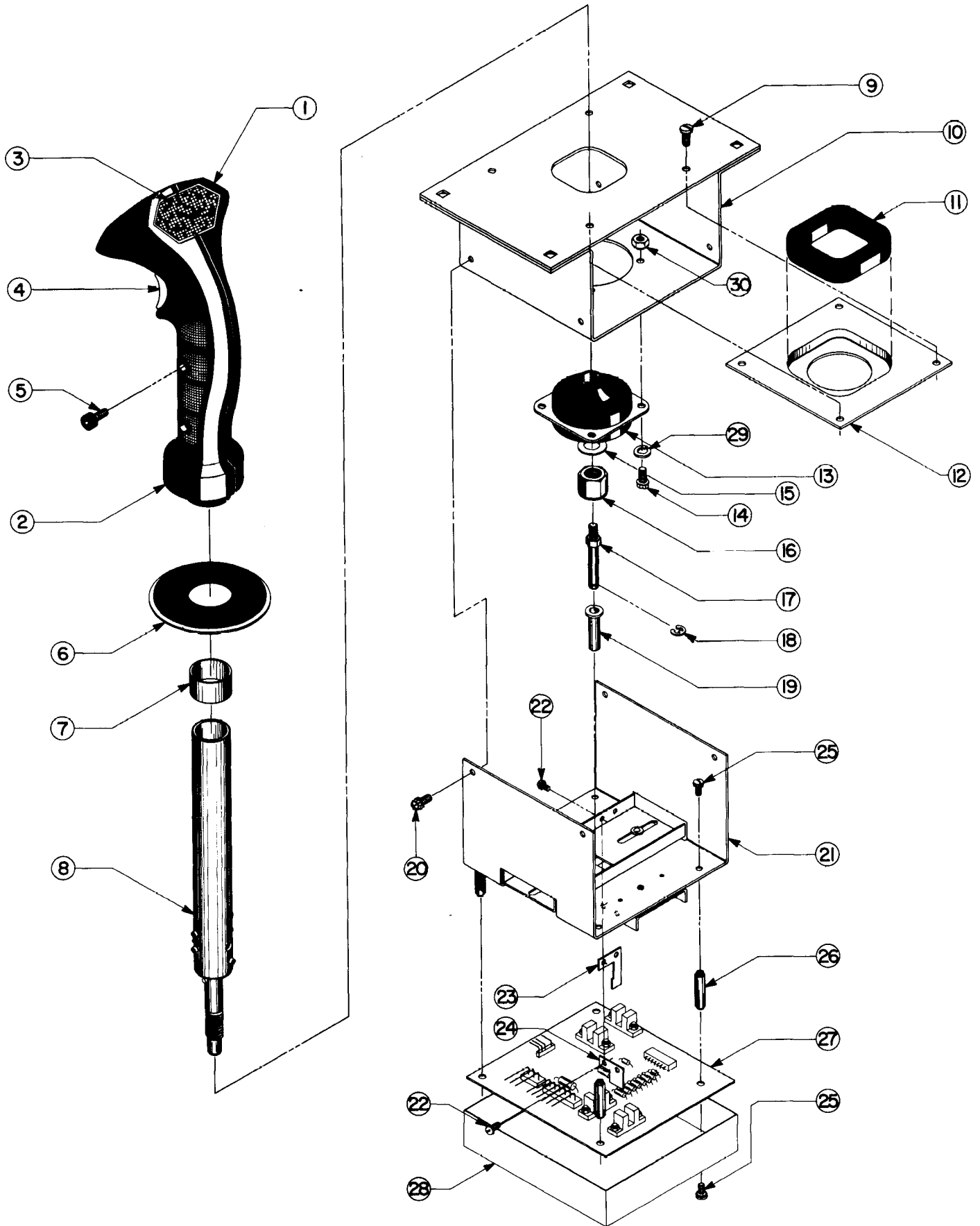


NO. 873 & 926 — GOLF UPRIGHT & MINI — PUSH BUTTON ASSEMBLY

ORDER BY PART NUMBER ONLY

| ITEM | PART NO | DESCRIPTION |
|------|-----------------|--|
| 1 | 0017-00009-0384 | BUTTON |
| 2 | 0010-00593-0000 | SPRING |
| 3 | 0017-00009-0376 | BUTTON HOUSING |
| 4 | 0017-00104-0028 | FLAT WASHER (2 REQ'D.) |
| 5 | 0017-00100-0025 | E-RING |
| 6 | A739-00012-0000 | PUSH BUTTON ASSY. (FIRST 5 ITEMS) |
| 7 | 0586-00107-0000 | MOUNTING BRKT. |
| 8 | 0017-00103-0054 | PAL NUT |
| 9 | A739-00016-0000 | SWITCH ASSY. |
| 10 | 0020-00202-0000 | SWITCH PLATE |
| | 0017-00101-0526 | #5-40 x 9/16 PHIL. HD. M.S. (2 REQ'D.) |

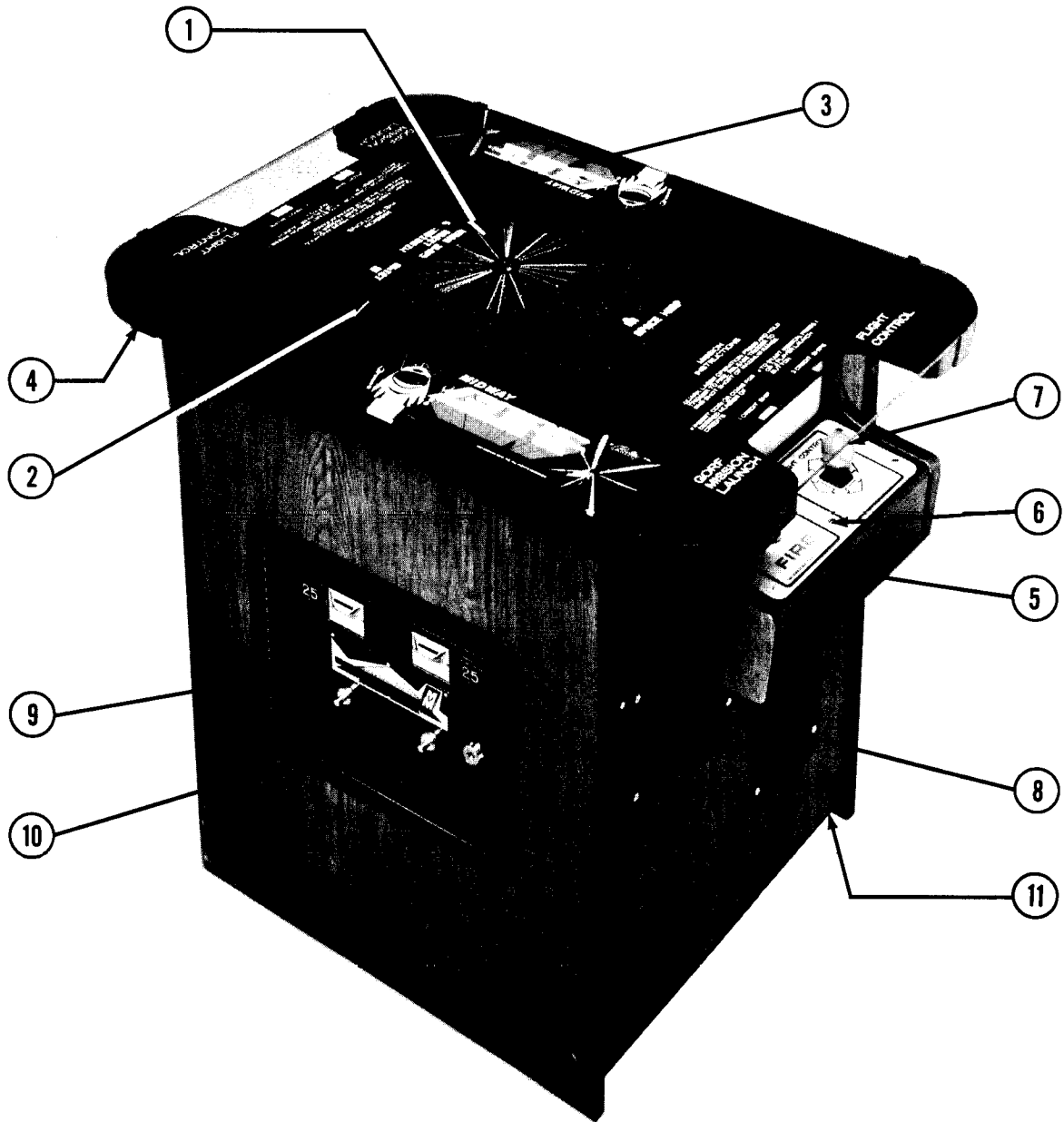
NO. 873 & 926 — GOLF UPRIGHT & MINI — CONTROL GRIP ASSEMBLY



ORDER BY PART NUMBER ONLY

| ITEM | PART NO | DESCRIPTION |
|------|-----------------|--|
| 1 | 0873-00900-0200 | CONTROL GRIP - LEFT |
| 2 | 0873-00900-0100 | CONTROL GRIP - RIGHT |
| 3 | 0873-00902-0000 | CONTROL GRIP LENS PANEL |
| | 0017-00003-0364 | WEDGE BASE LAMP .08 AMP, 14V. (2 REQ'D.) |
| | A082-91378-C000 | LIGHTS MTG. P.C. ASSY. W/LAMP BASES |
| 4 | 0873-00901-0000 | TRIGGER |
| | A873-00006-0000 | CONTROL GRIP SWITCH ASSY. |
| | 0020-00202-0000 | SWITCH PLATE |
| | 0017-00101-0528 | #5-40 x 3/4 SLT. RND. HD. M.S. (2 REQ'D.) |
| | 0873-00123-00XF | SWITCH & LIGHTS MTG. BRKT. |
| | 0017-00101-0083 | #4-20 x 3/8 PHIL. PAN HD. SCREW (2 REQ'D.) |
| 5 | 0017-00101-0116 | #10-32 x 3/8 HEX BUTTON HD. SCREW (5 REQ'D.) |
| | A873-00037-0000 | 1/8 TAMPER PROOF ALLEN KEY |
| 6 | A873-00031-0000 | FOLLOWER & PLATE ASSY. |
| 7 | 0873-00704-00XF | SLEEVE |
| 8 | A873-00025-0000 | TUBING & PIVOT PIN PINNING ASSY. |
| 9 | 0017-00101-0615 | #8-32 x 3/8 SLT. PAN HD. M.S. (4 REQ'D.) |
| 10 | A873-00027-00XF | CENTERING BRKT. WELD ASSY. |
| 11 | 0873-00910-0000 | BUMPER |
| 12 | 0873-00113-00XF | BUMPER MTG. BRKT. |
| 13 | 0873-00909-0000 | GROMMET - MODIFIED |
| 14 | 0017-00101-0799 | #10-32 x 3/8 SLT. HEX HD. SCREW (4 REQ'D.) |
| 15 | 0017-00104-0034 | FLAT WASHER |
| 16 | 0017-00103-0082 | 7/16 - 14 NYLON INSERT LOCK NUT |
| 17 | 0873-00701-00XF | ACTUATING PIN |
| 18 | 0017-00100-0015 | 5/32 E-RING |
| 19 | 0017-00042-0241 | INSULATOR |
| 20 | 0017-00101-0598 | #8-32 x 5/16 SLT. HEX HD. SCR. (4 REQ'D.) |
| 21 | A873-00029-0000 | SLIDE & MTG. BRKT. RIVET ASSY. |
| 22 | 0017-00101-0691 | #4-40 x 3/16 SLT. RND. HD. M.S. (4 REQ'D.) |
| 23 | 0926-00100-00XF | FLAG SENSOR - RIGHT & LEFT |
| 24 | 0926-00101-00XF | FLAG SENSOR - UP & DOWN |
| 25 | 0017-00101-0553 | #6-32 x 1/4 SLT. PAN HD. M.S. (8 REQ'D.) |
| 26 | 0926-00700-00XF | P.C. MTG. POST (4 REQ'D.) |
| 27 | A082-91379-A000 | CONTROL GRIP P.C. ASSY. |
| 28 | 0873-00122-0000 | P.C. SENSOR SHIELD |
| 29 | 0017-00104-0004 | #10 SPLIT LOCKWASHER (4 REQ'D.) |
| 30 | 0017-00103-0081 | #10-32 HEX NUT W/SEMS (4 REQ'D.) |
| | | NOT SHOWN LIST |
| | 0017-00101-0129 | #10-32 x 1" CARRIAGE BOLT (4 REQ'D.) |
| | 0017-00104-0025 | #10 FLAT WASHER (4 REQ'D.) |
| | 0017-00103-0011 | #10-32 LOCKING NUT (4 REQ'D.) |
| | | (ABOVE 3 ITEMS USED TO MOUNT |
| | | CONTROL GRIP ASSY. TO CONTROL SHELF) |
| | 0010-00266-0100 | STRAIN RELIEF SPRING |

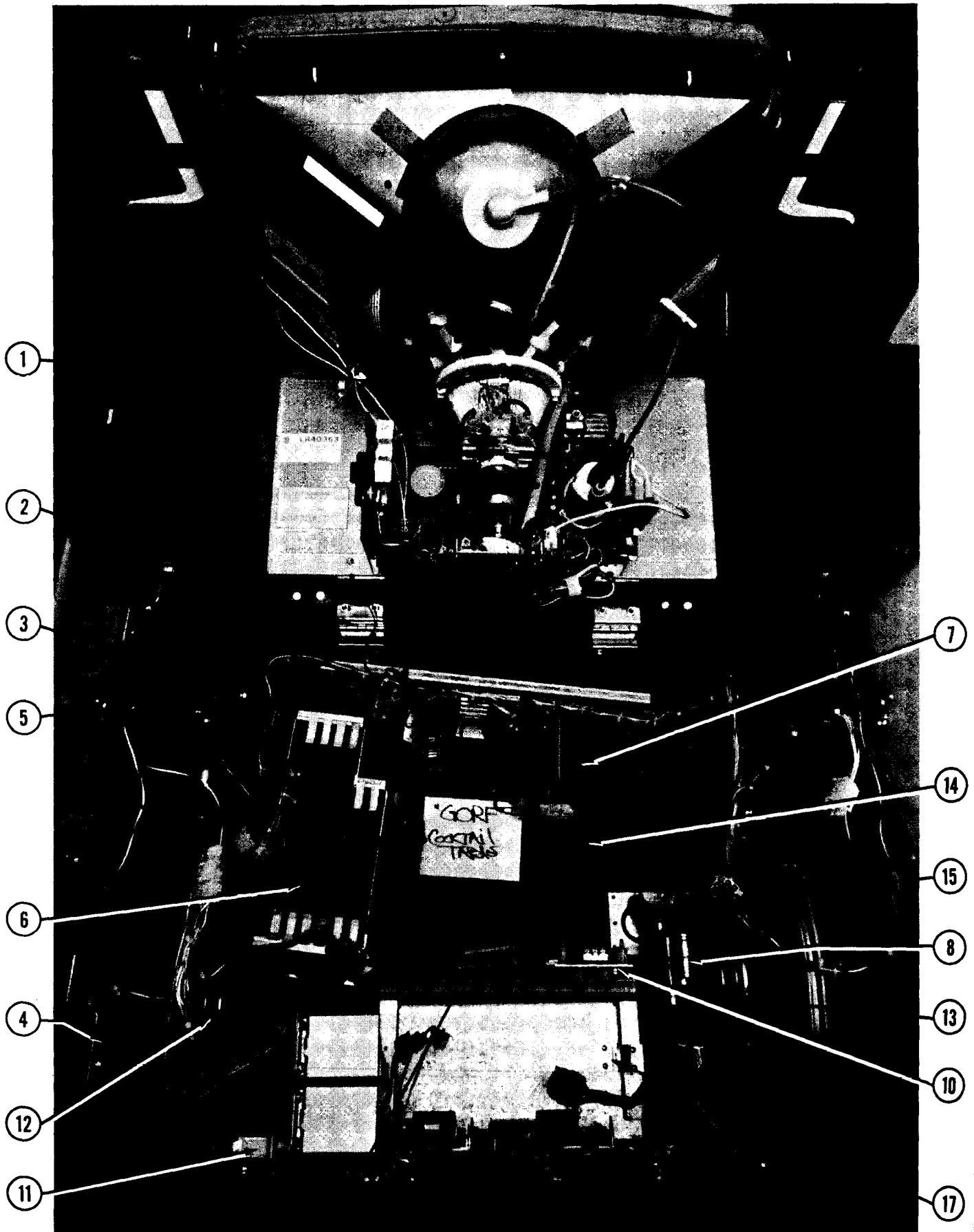
NO. 927 — GORF COCKTAIL — PHOTOGRAPH



NO. 927 — GORF COCKTAIL — PHOTOGRAPH
ORDER BY PART NUMBER ONLY

| ITEM | PART NO | DESCRIPTION |
|------|-----------------|---|
| 1 | 0017-00003-0339 | 19" COLOR DUAL SYNC HORIZ. MTG. MONITOR - ELECTROHOME |
| | | (OR) |
| 1 | 0017-00003-0354 | 19" COLOR DUAL SYNC HORIZ. MTG. MONITOR - WELLS-GARDNER |
| 2 | A927-00022-0000 | T.V. BEZEL & PLEXI ASSY. |
| | 0869-00907-0000 | PLEXI |
| | 0927-00903-0000 | T.V. BEZEL |
| 3 | 0927-00900-00XF | GLASS TOP |
| 4 | 0775-00104-00XF | GLASS CLIPS (8 REQ'D.) |
| | 0017-00101-0117 | #8 x 5/8 PHIL. TRS. HD. S.M.S. (16 REQ'D.) |
| 5 | 0927-00109-00XF | CONTROL PANEL (2 REQ'D.) |
| 6 | 0927-00905-0000 | CONTROL PANEL OVERLAY - PLAYER #1 |
| | 0927-00906-0000 | CONTROL PANEL OVERLAY - PLAYER #2 (OPPOSITE SIDE) |
| | 0017-00101-0620 | #8-32 x 1/2 CARRIAGE BOLT (8 REQ'D.) |
| | 0017-00104-0022 | #8 FLAT WASHER (8 REQ'D.) |
| | 0017-00103-0061 | #8-32 HEX NUT W/SEMS (8 REQ'D.) |
| | 0017-00101-0341 | #6 x 1/4 PHIL. TRS. HD. M.S. (4 REQ'D.) |
| 7 | 0927-00014-0000 | CONTROL ASSY. (2 REQ'D.) |
| 8 | 0017-00009-0482 | SPEAKER — VENT GRILLS (3 REQ'D.) |
| | 0017-00003-0259 | 6" x 9" SPEAKER 8 OHM, 7W. |
| | 0017-00009-0393 | SPEAKER GRILL (SMALL) NOT SHOWN |
| | 0017-00003-0161 | 4" SQ. SPEAKER 8 OHM, 7W. - NOT SHOWN |
| 9 | A090-00300-05BK | COIN DOOR ASSEMBLY |
| | 0017-00003-0102 | COIN METER |
| 10 | 0090-00002-02BK | COIN DOOR FRAME |
| | 0017-00101-0121 | #6-32 x 5/16 PHIL. TRUSS HD. M.S. (3 REQ'D.) (MOUNTS COIN DOOR TO FRAME) |
| 11 | 0017-00102-0048 | LEG LEVELERS (4 REQ'D.) |
| | 0017-00103-0026 | LEG LEVELER NUTS (4 REQ'D.) |
| | | <u>NOT SHOWN LIST</u> |
| | 0017-00009-0033 | BASSICK CLAMP (2 REQ'D.) |
| | 0017-00101-0026 | #8 x 5/8 HEX HD. M.S. (4 REQ'D.) |
| | 0610-00132-0000 | STRIKE (2 REQ'D.) |
| | 0017-00101-0028 | #8 x 3/4 HEX HD. S.M.S. (4 REQ'D.) |

NO. 927 — GORF COCKTAIL — INTERIOR ACCESS PICTURE

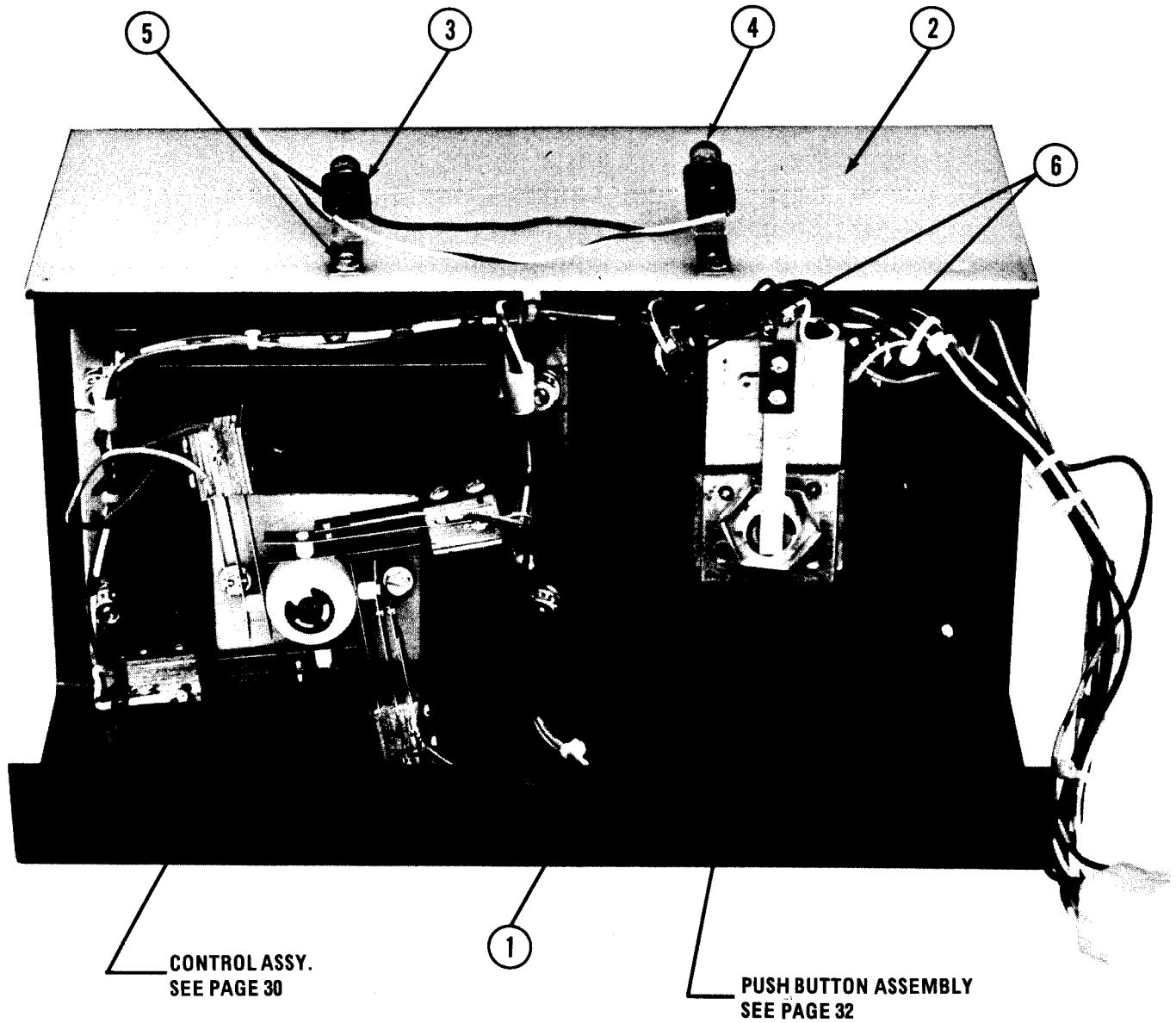


NO. 927 — GORF COCKTAIL — INTERIOR ACCESS PICTURE

ORDER BY PART NUMBER ONLY

| ITEM | PART NO | DESCRIPTION |
|------|---|--|
| 1 | 0017-00003-0339 | 19" COLOR MONITOR & CHASSIS — ELECTROHOME (OR) |
| 1 | 0017-00003-0354 A869-00007-00XF A869-00007-01XF | 19" COLOR MONITOR & CHASSIS—WELLS-GARDNER MONITOR SUPPORT ASSY. - L.H. MONITOR SUPPORT ASSY. - R.H. |
| 2 | 0017-00009-0495 | 2" HINGE (2 REQ'D.) |
| 3 | 0927-00904-0000 | LIGHT SHIELD (2 REQ'D.) |
| 4 | 0927-00111-0000 | RETAINING BRKT. (4 REQ'D.) |
| 5 | 0017-00031-0044 0017-00003-0219 | LAMP SOCKET (4 REQ'D.) #194 LAMP 14V., .27A. (4 REQ'D.) |
| 6 | A789-00002-0000 | CARD RACK ASSY. |
| 7 | A927-00007-0000 | TRANSFORMER BRD. ASSY. |
| 8 | A082-90411-A000 0624-00902-0100 0624-00902-0300 | POWER SUPPLY P.C. ASSY. P.C. SUPPORT BRKT. - 12" (3 REQ'D.) P.C. SUPPORT BRKT. - 2-1/2" |
| 9 | A082-91363-A000 | R-G-B INTERFACE P.C. BRD. ASSY. |
| 10 | A873-00023-0000 | STEREO AUDIO AMP BRD. & BRKT. ASSY. |
| 11 | 0017-00032-0071 | INTERLOCK SWITCH |
| 12 | 0017-00003-0161 | 4" SQ. SPEAKER 8 OHM, 7W. |
| 13 | 0017-00003-0259 | 6" x 9" SPEAKER 8 OHM, 7W. |
| 14 | 0017-00003-0222 0775-00110-00XF 0749-00106-00XF 0017-00101-0347 0017-00104-0009 0017-00103-0005 0017-00101-0026 | FAN FAN PLATE VENT SCREEN #6-32 x 1/2 R.H.M.S. (4 REQ'D.) #6 EXT. WASHER (4 REQ'D.) #6-32 HEX NUT (4 REQ'D.) #8 x 5/8 SLT. HEX HD. M.S. (4 REQ'D.) |
| 15 | A927-00008-0000 | ON-OFF SWITCH ASSY. |
| 16 | A090-00300-05BK | COIN DOOR ASSY. |
| 17 | A927-00019-0000 A927-00020-0000 A625-00024-0000 0625-00117-0000 | COIN BOX ASSY. COIN BOX COVER ASSY. COIN BOX GUIDE BRKT. ASSY. COIN BOX GUIDE |
| | A082-90508-A000 A082-90903-A000 A889-00017-0000 G927-00005-0000 | <u>ADDITIONAL PARTS LIST</u> DRIVER P.C. BRD. ASSY. AUDIO AMP BRD. ASSY. LATCH SLIDE ASSY. (TABLE TOP PROP SUPPORT) LEG KIT ASSY. (HIGH BASE) - OPTIONAL (INCLUDES 4 LEGS & HARDWARE) |

NO. 927 — GORF COCKTAIL TABLE — CONTROL SHELF ASSEMBLY



CONTROL ASSY.
SEE PAGE 30

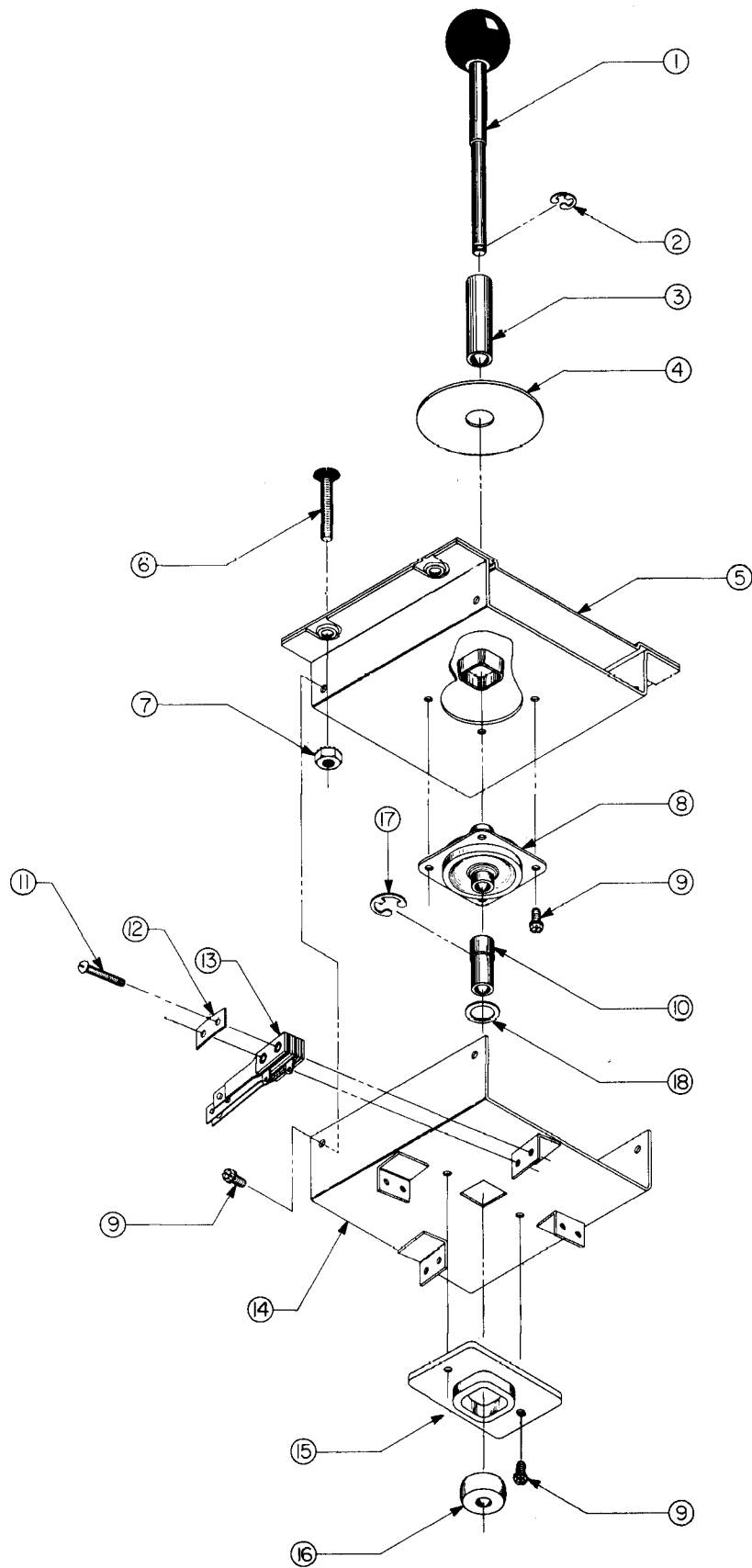
PUSH BUTTON ASSEMBLY
SEE PAGE 32

NO. 927 — GOLF COCKTAIL TABLE — CONTROL SHELF ASSEMBLY

ORDER BY PART NUMBER ONLY

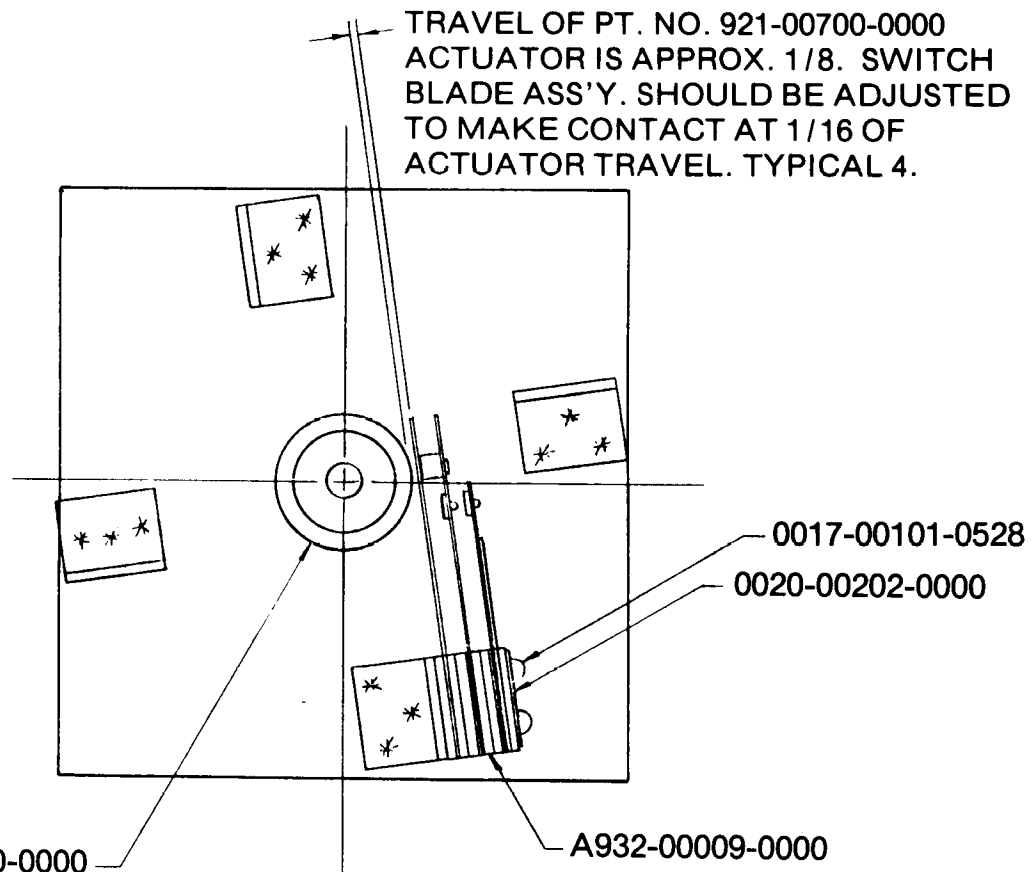
| ITEM | PART NO | DESCRIPTION |
|------|-----------------|---|
| 1 | 0927-00109-00XF | CONTROL PANEL |
| 2 | 0927-00904-0000 | LIGHT SHIELD |
| 3 | 0017-00031-0044 | SOCKET - LAMP WEDGE (2 REQ'D.) |
| 4 | 0017-00003-0219 | LAMP #194 14V, .27A. WEDGE (2 REQ'D.) |
| 5 | 0017-00101-0555 | #6-32 x 5/16 SLT. HEX HD. SCREW (2 REQ'D.) |
| 6 | 0017-00032-0051 | SWITCH BUTTON - RED (2 REQ'D.) (PLAYER #1 ONLY) |
| | 0927-00110-00XF | <u>NOT SHOWN LIST</u> SHELF BOTTOM (2 REQ'D.) |
| | 0927-00111-0000 | RETAINING BRKT. (4 REQ'D.) (MOUNTS SHELF TO CABINET) |

NO. 927 — GOLF COCKTAIL — CONTROL ASSEMBLY

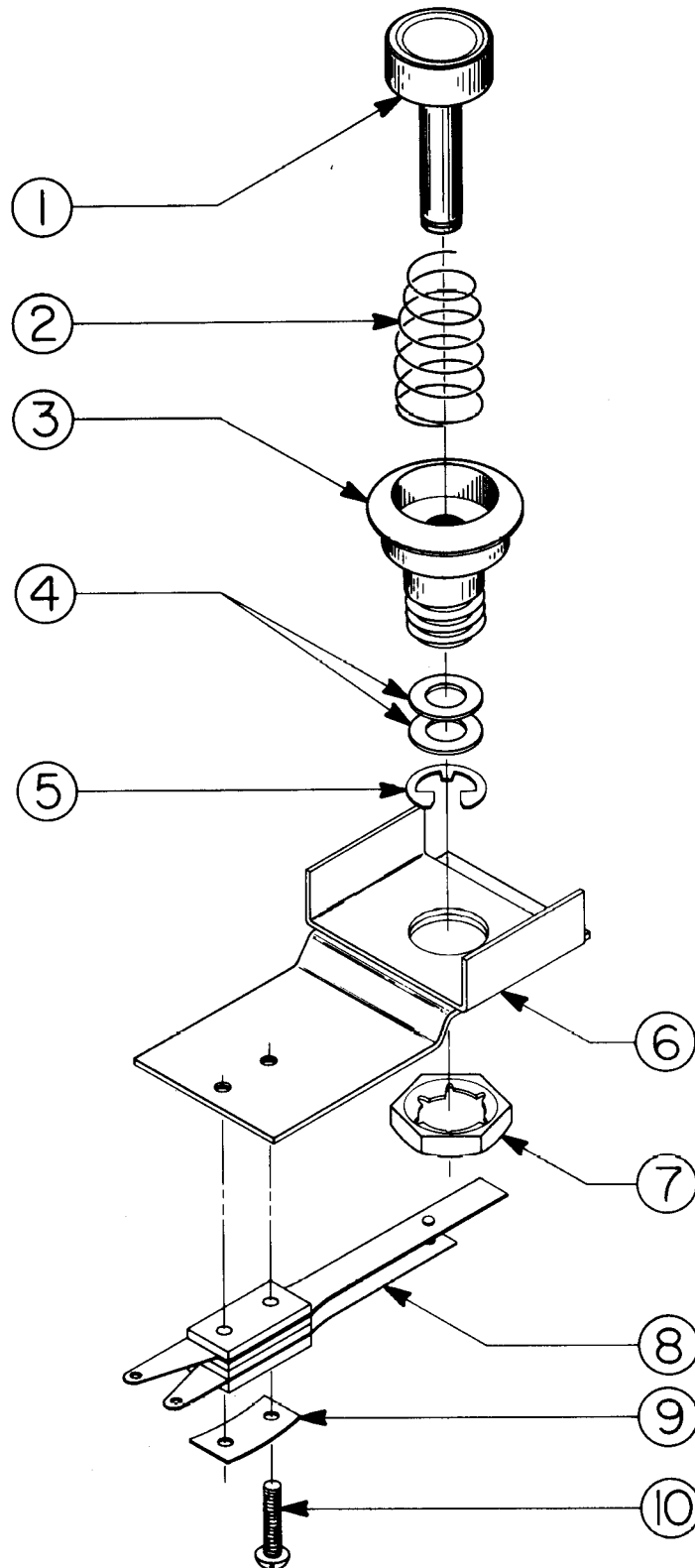


NO. 927 — GOLF COCKTAIL — CONTROL ASSEMBLY
ORDER BY PART NUMBER ONLY

| ITEM | PART NO | DESCRIPTION |
|------|-----------------|--|
| 1 | A932-00022-0000 | BALL & SHAFT ASSEMBLY |
| 2 | 0017-00100-0025 | 1/4" E-RING |
| 3 | 0921-00702-0000 | STOP SPACER |
| 4 | 0921-00902-0000 | SLIDE PLATE |
| 5 | A921-00008-00XF | SPOT WELD ASSY. |
| 6 | 0017-00101-0713 | #8-32 x 1" SLT. FLAT HD. SCREW (4 REQ'D.) |
| 7 | 0017-00103-0061 | #8-32 HEX NUT W/SEMS (4 REQ'D.) |
| 8 | 0932-00902-0000 | GROMMET |
| 9 | 0017-00101-0598 | #8-32 x 5/16 SLT. HEX HD. M.S. (10 REQ'D.) |
| 10 | 0921-00701-0000 | SLEEVE |
| 11 | 0017-00101-0527 | #5-40 x 5/8 SLT. RND. HD. SCR. (8 REQ'D.) |
| 12 | 0020-00202-0000 | SWITCH PLATE (4 REQ'D.) |
| 13 | A932-00009-0000 | SWITCH ASSEMBLY (4 REQ'D.) |
| 14 | A921-00009-0000 | STOP PLATE & SWITCH BRKT. ASSY. |
| 15 | 0927-00908-0000 | WEAR PLATE |
| 16 | 0921-00700-0000 | ACTUATOR |
| 17 | 0017-00100-0115 | 7/16" E-RING |
| 18 | 0017-00104-0111 | FLAT WASHER |



NO. 927 — GOLF COCKTAIL TABLE — PUSH BUTTON ASSEMBLY

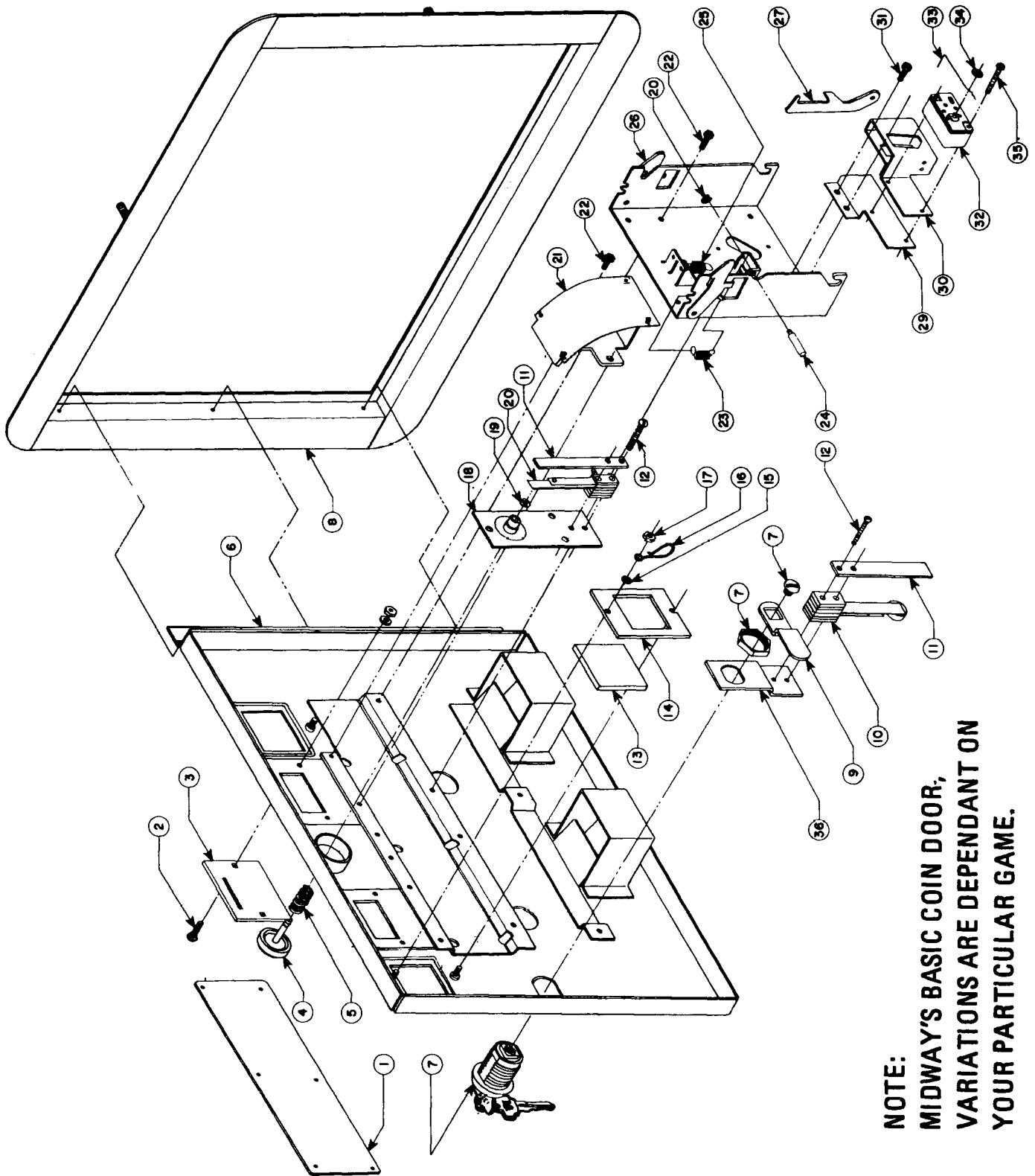


NO. 927 — GOLF COCKTAIL TABLE — PUSH BUTTON ASSEMBLY

ORDER BY PART NUMBER ONLY

| ITEM | PART NO | DESCRIPTION |
|------|-----------------|--|
| 1 | 0017-00009-B384 | BUTTON - RED |
| 2 | 0010-00593-0000 | SPRING |
| 3 | 0017-00009-0376 | BUTTON HOUSING |
| 4 | 0017-00104-0028 | FLAT WASHER (2 REQ'D.) |
| 5 | 0017-00100-0025 | 1/4" E-RING |
| 6 | A855-00016-0000 | PUSH BUTTON ASSY. (FIRST 5 ITEMS) |
| 7 | A927-00011-0000 | MOUNTING BRKT. ASSY. |
| 8 | 0017-00103-0054 | PAL NUT |
| 9 | A739-00016-0000 | SWITCH ASSEMBLY |
| 10 | 0020-00202-0000 | SWITCH PLATE |
| | 0017-00101-0526 | #5-40 x 9/16 PHIL. HD. M.S. (2 REQ'D.) |

NO. 873 & 926 & 927 GORF UPRIGHT, MINI & COCKTAIL—FRONT DOOR ASSY.



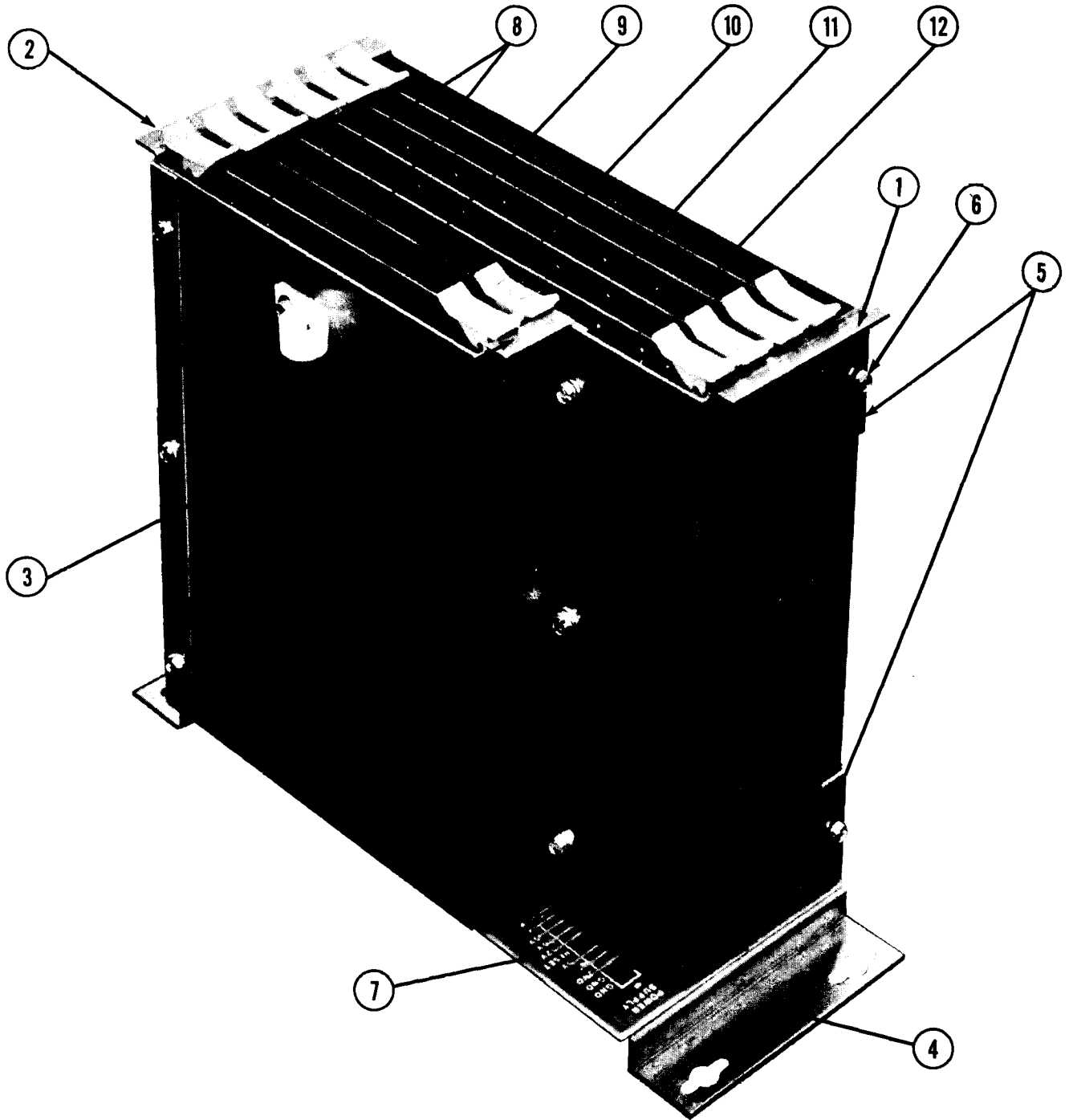
**NOTE:
MIDWAY'S BASIC COIN DOOR,
VARIATIONS ARE DEPENDANT ON
YOUR PARTICULAR GAME.**

NO. 873 & 926 & 927 GORF UPRIGHT, MINI & COCKTAIL—FRONT DOOR ASSY.

ORDER BY PART NUMBER ONLY

| ITEM | PART N ^o | DESCRIPTION |
|------|---------------------|--------------------------------------|
| 1 | 0090-00902-0000 | DRESS PLATE |
| | 0090-00902-0100 | DRESS PLATE W/O BUTTON TO START GAME |
| 2 | 0017-00101-0552 | #6-32-x 1/4 CARRIAGE BOLT (2) |
| 3 | 0090-00117-03XF | COIN ENTRY PLATE (25¢) |
| 4 | 0090-00906-0000 | PLASTIC START BUTTON |
| 5 | 0010-00007-0000 | COMPRESSION SPRING |
| 6 | A090-00020-2003 | DOOR ASSY. DOUBLE ENTRY |
| 7 | 0017-00005-0050 | DOOR LOCK & KEY WITH SCREW & NUT |
| 8 | 0090-00002-02BK | DOUBLE DOOR FRAME |
| 9 | 0017-00005-0041 | 421 N.S. CAM |
| 10 | 0090-00901-0000 | DOOR SWITCH |
| | 0090-00126-01XF | SWITCH BACKUP PLATE |
| 12 | 0017-00101-0528 | #5-40 x 3/4" LNG. M.S. |
| 13 | 0090-00903-9500 | 25¢ WINDOW |
| 14 | 0090-00143-0000 | COIN PLEX RETAINER |
| 15 | 0017-00104-0002 | SPLIT LOCK WASHER |
| 16 | 0017-00007-0019 | KEY HOOK |
| 17 | 0017-00103-0087 | #6-32 HEX NUT |
| 18 | 0090-00010-0000 | SW. PLATE & OILLITE ASSY. |
| 19 | 0017-00100-0018 | "E" RING |
| 20 | 0090-00131-0000 | SWITCH |
| 21 | 0090-00104-0000 | TOP & BTM. COIN CHUTE W/BRKT. ASSY. |
| 22 | 0017-00101-0123 | #8 x 1/4 SCREW |
| 23 | 0010-00181-0100 | SPRING |
| 24 | 0090-00129-00XF | PIVOT POST |
| 25 | 0010-00134-0000 | SPRING |
| 26 | 0090-00008-0000 | ACCEPTOR FRAME ASSY. |
| 27 | 0093-00155-00XF | REJECTOR LEVER |
| 28 | 0017-00100-0012 | "E" RING |
| 29 | 0090-00162-00XF | COIN SWITCH MTG. BRKT. - SMALL |
| 29 | 0090-00163-00XF | COIN SWITCH MTG. BRKT. - LARGE |
| 30 | 0017-00005-0203 | COIN SWITCH CHUTE - SMALL |
| 30 | 0017-00005-0204 | COIN SWITCH CHUTE - LARGE |
| 31 | 0017-00101-0124 | #6 x 1/4 SCREW |
| 32 | 0017-00005-0195 | COIN SWITCH |
| 33 | 0010-00599-0000 | COIN SWITCH WIRE |
| 34 | 0017-00007-0132 | PUSH-ON RING (BLK.) |
| 35 | 0017-00101-0698 | #4-40 x 3/4 SCREW (2 REQ'D.) |
| 36 | 0090-00128-00XF | SWITCH BRKT. - DOOR TILT |
| | A090-00061-0000 | ANTI-STRING DEVICE ASSY. |
| | A090-00064-0000 | ANTI-PENNY DEVICE ASSY. |

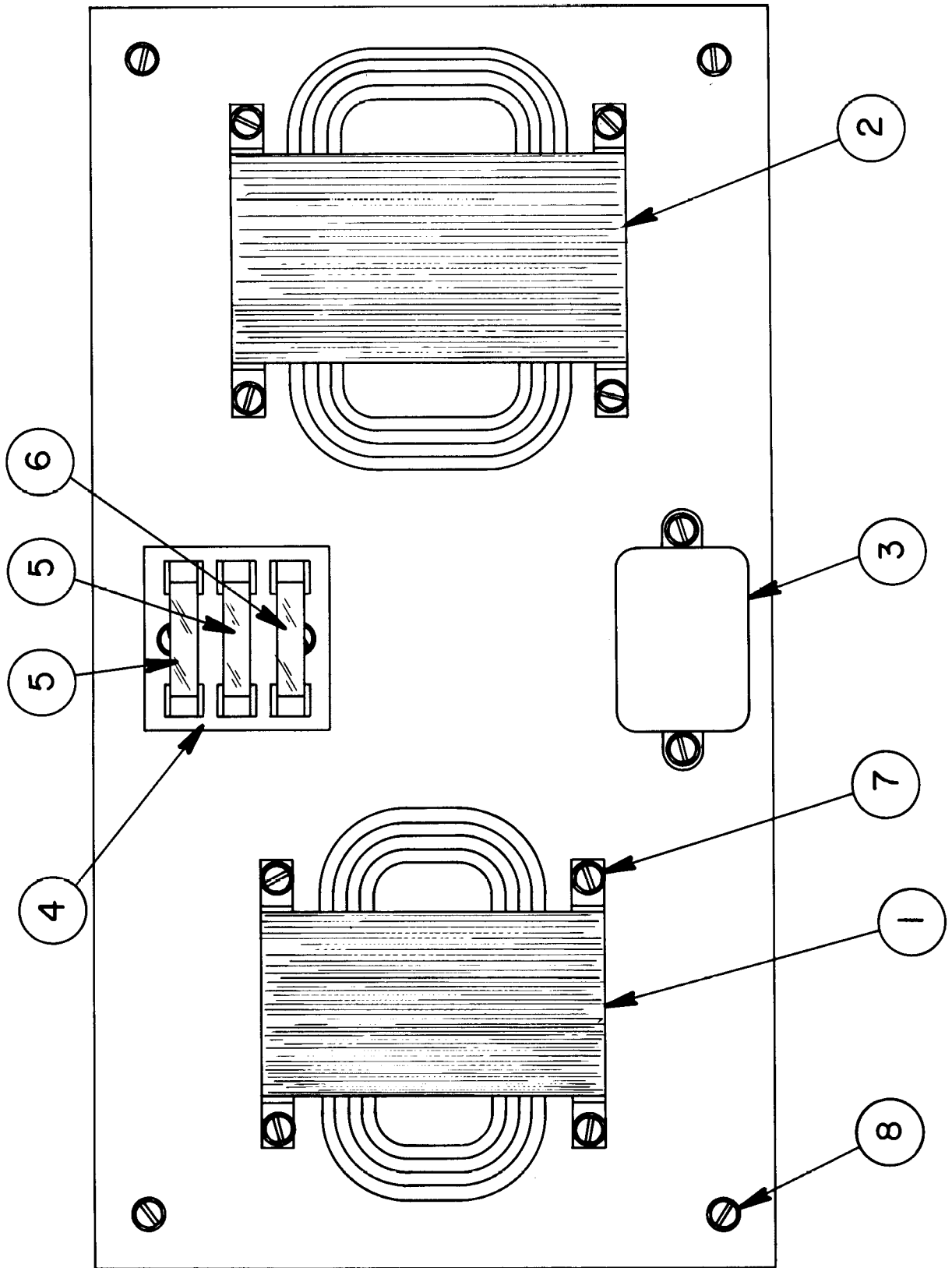
NO. 873 & 926 & 927 GORF U.R., MINI & C.T.—COMMERCIAL CARD RACK ASSY.



ORDER BY PART NUMBER ONLY

| ITEM | PART NO | DESCRIPTION |
|------|-----------------|---|
| 1 | A789-00003-0000 | P.C. RACK ASSY. - RIGHT |
| 2 | A789-00004-0000 | P.C. RACK ASSY. - LEFT |
| 3 | A789-00005-0000 | P.C. RACK ASSY. - BASE |
| 4 | 0789-00100-0000 | MTG. BRKT. SUPPORT (2 REQ'D.) |
| 5 | 0789-00106-0000 | RACK STRAP (2 REQ'D.) |
| 6 | 0017-00101-0099 | #6 x 1/4 SLT. HEX HD. SCREW (11 REQ'D.) |
| | 0017-00104-0019 | #6 FLAT WASHER (3 REQ'D.) |
| 7 | A082-90006-B000 | BACK PANEL P.C. ASSY. (MOTHER BOARD) |
| 8 | A082-91356-C000 | RAM BOARD ASSY. |
| 9 | A082-91354-F000 | CPU BOARD ASSY. |
| 10 | A082-91355-C000 | PATTERN TRANSFER BOARD ASSY. |
| 11 | A084-91364-A873 | PROGRAMMED ROM/RAM BOARD ASSY. |
| 12 | A084-90708-C873 | GAME LOGIC BOARD ASSY. |
| | 0017-00007-0153 | P.C. BOARD SUPPORT (2 REQ'D.) (NOT SHOWN) |

NO. 873 & 926 & 927 GORF U.R., MINI & COCKTAIL—TRANSFORMER BD. ASSY.

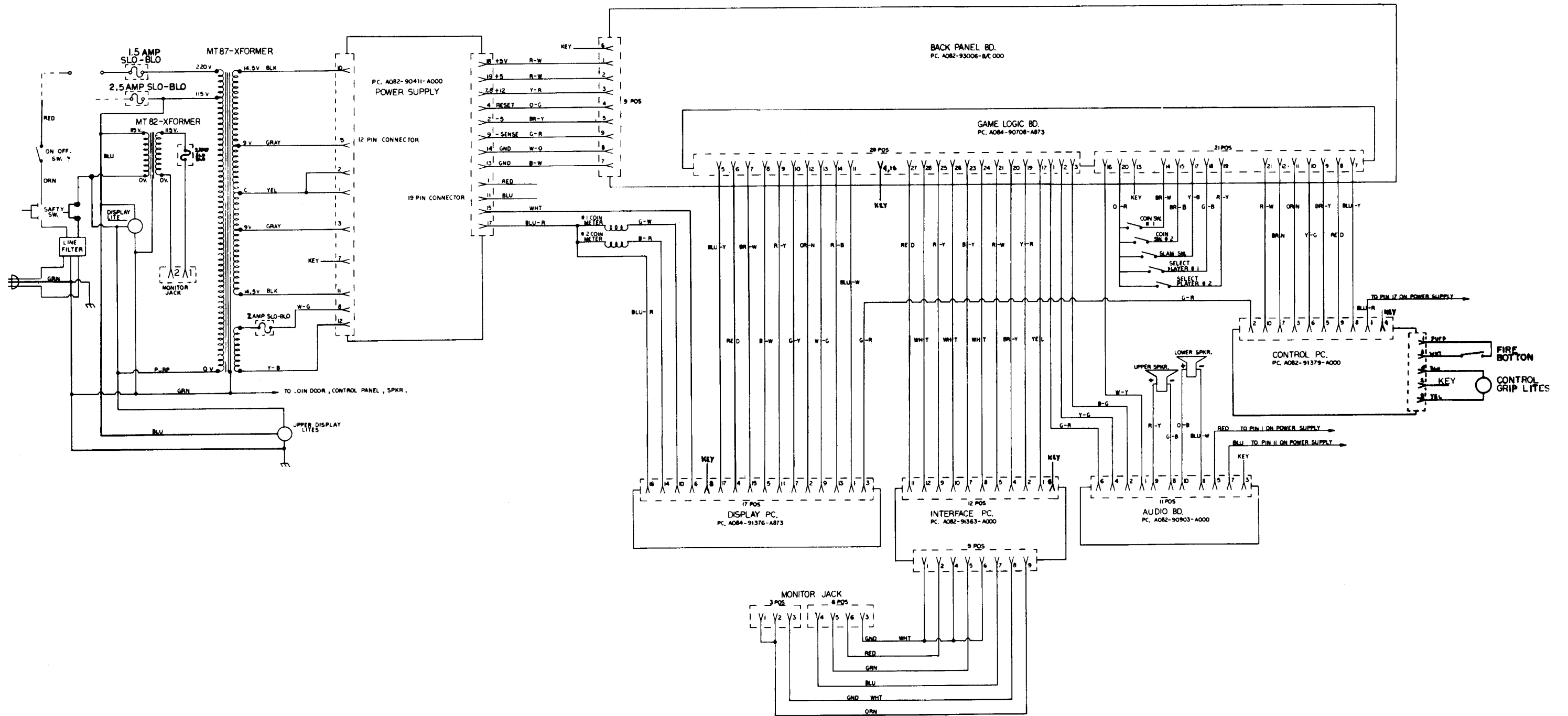


ORDER BY PART NUMBER ONLY

| ITEM | PART NO | DESCRIPTION |
|------|-----------------|--|
| 1 | MT00-00085-0000 | TRANSFORMER 115V 50HZ (COCKTAIL) |
| 1 | MT00-00087-0000 | TRANSFORMER 115V (UPRIGHT & MINI) |
| 2 | MT00-00091-0000 | TRANSFORMER 115/220V (COCKTAIL) |
| 2 | MT00-00087-0000 | TRANSFORMER 120/240V (UPRIGHT & MINI) |
| 3 | 0017-00003-0114 | NOISE FILTER |
| 4 | 0720-00001-0300 | 3 POSITION FUSE CLIP |
| 5 | 0017-00003-0004 | FUSE 2A 250V SLO-BLO (2 REQ'D.) |
| 6 | 0017-00003-0217 | FUSE 2-1/2A 125V SLO-BLO |
| 7 | 0017-00101-0015 | #6 x 1/2 SLT HEX HD. SCREW (12 REQ'D.) |
| 8 | 0017-00101-0031 | #8 x 1 SLT. HEX HD. SCREW (4 REQ'D.) |
| | A866-00049-0000 | LINE CORD ASSY. (NOT SHOWN) |

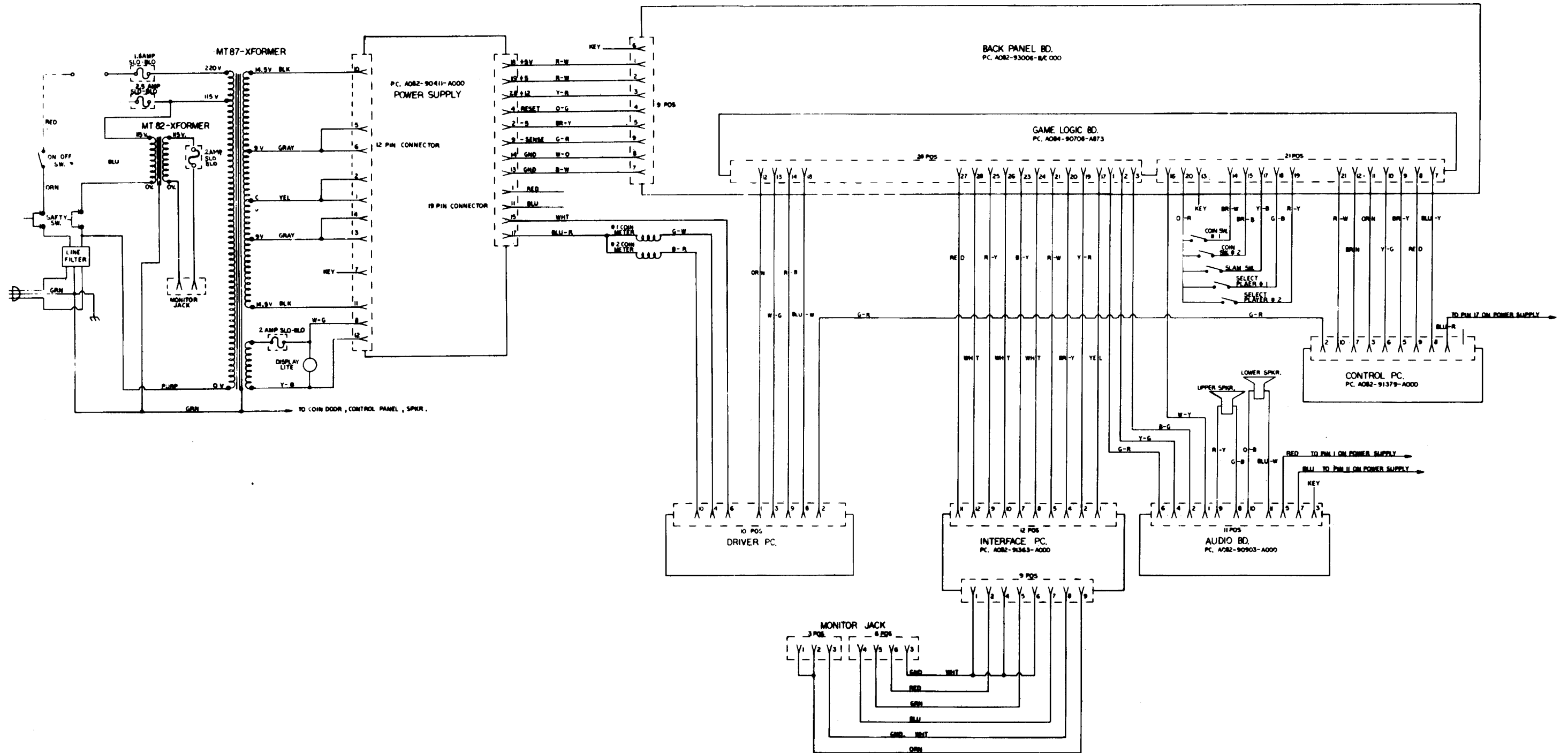
GORF U.R.
 MIDWAY MFG CO.
 10750 W. GRAND AVE.
 FRANKLIN PARK, IL. 60131

WIRING SCHEMATIC # M051-00873-A037



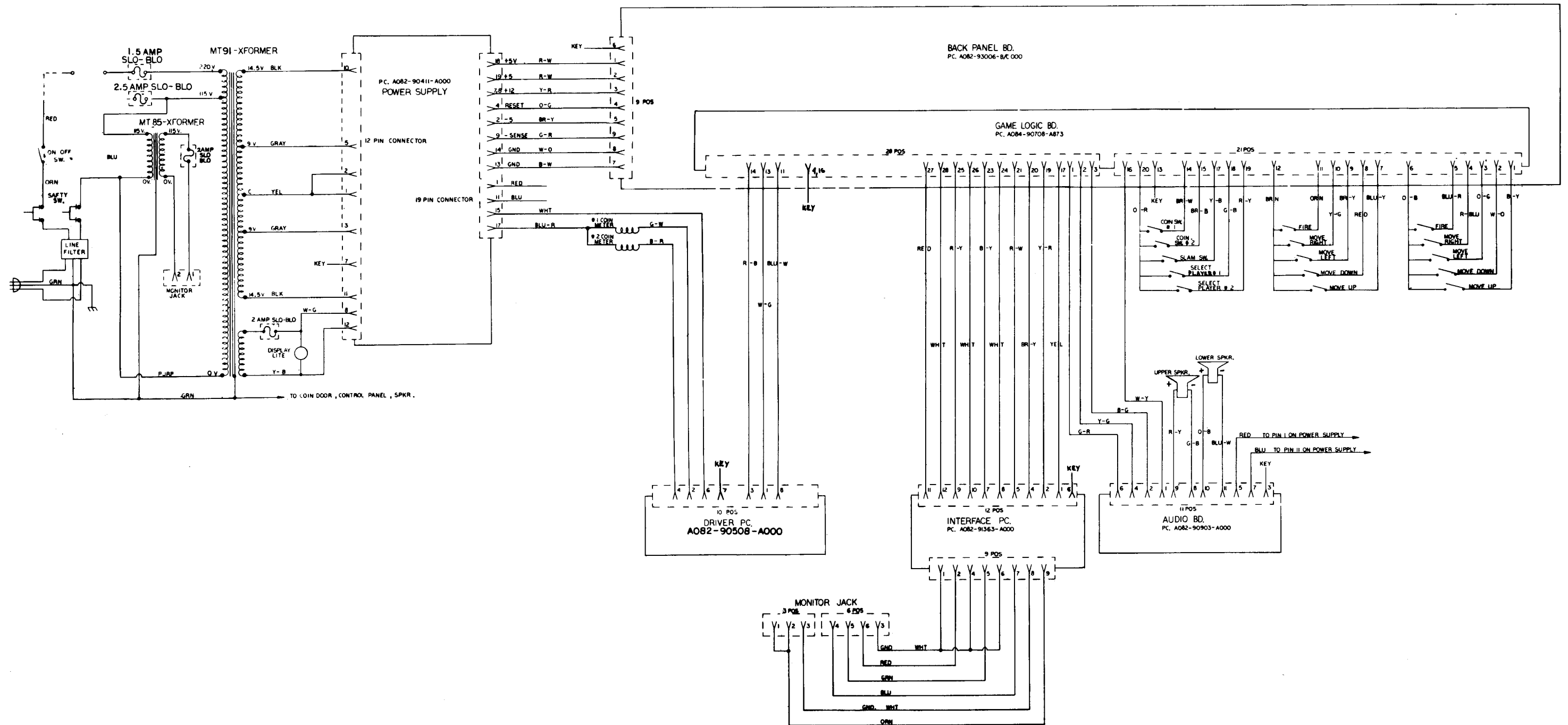
GOLF MINI
 MIDWAY MFG. CO.
 10750 W. GRAND AVE.
 FRANKLIN PARK, IL. 60131

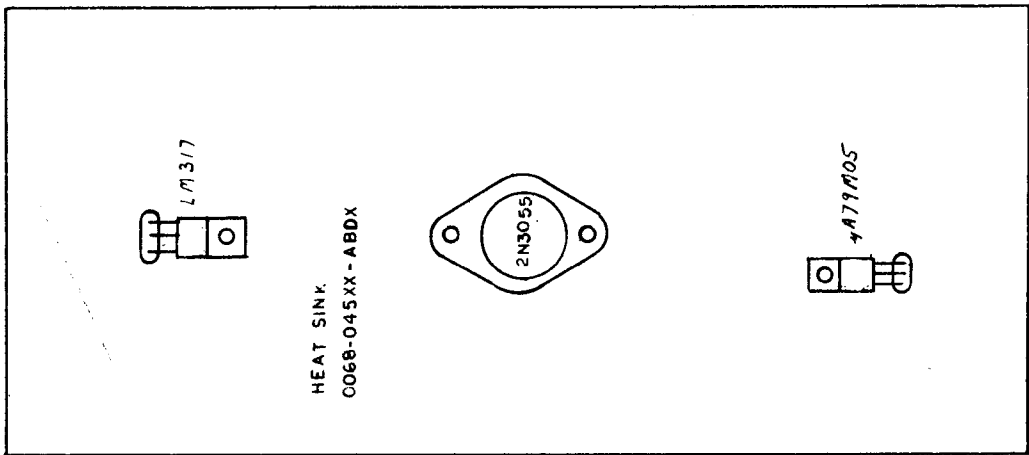
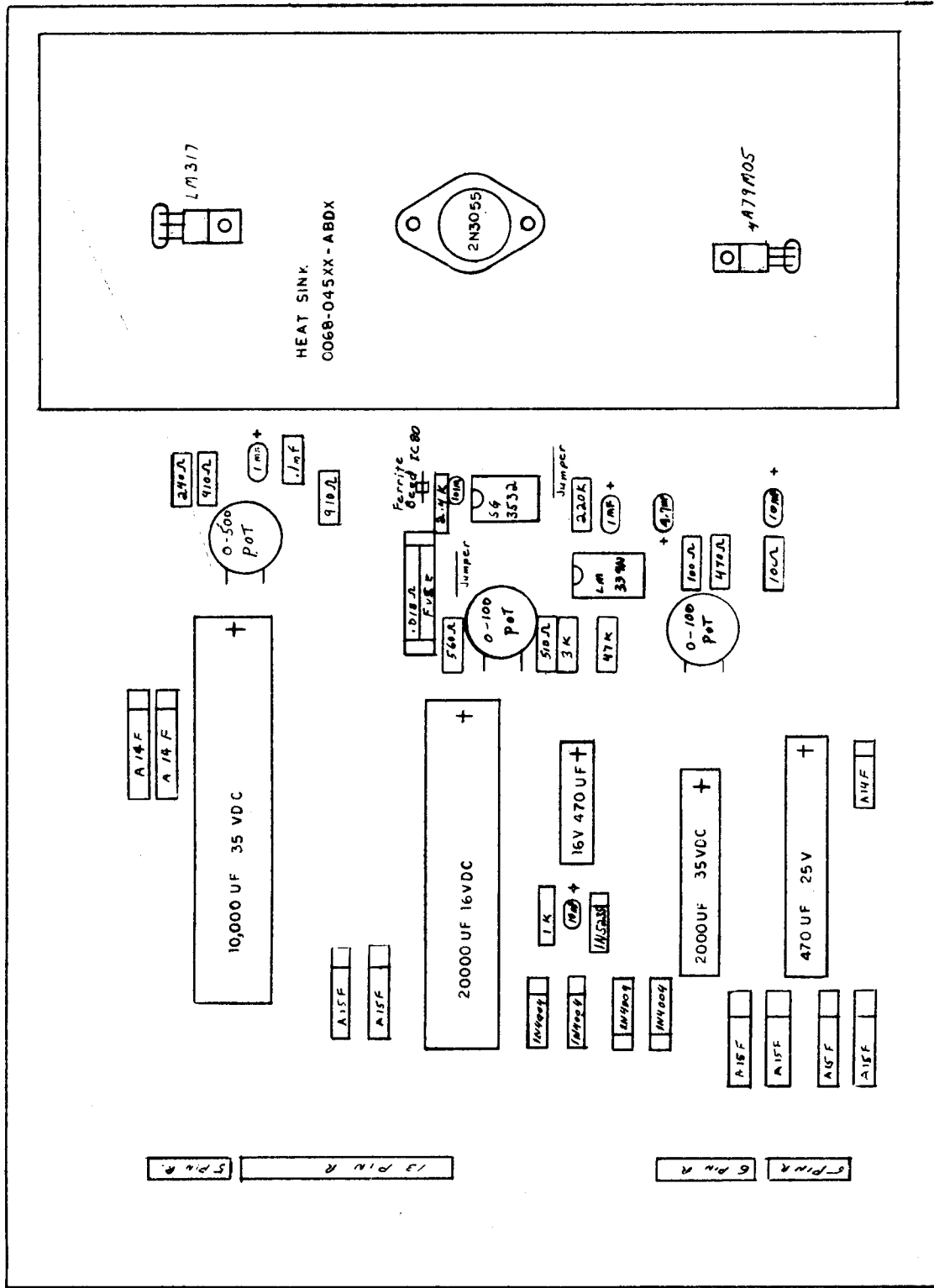
WIRING SCHEMATIC * M051-00926-A025



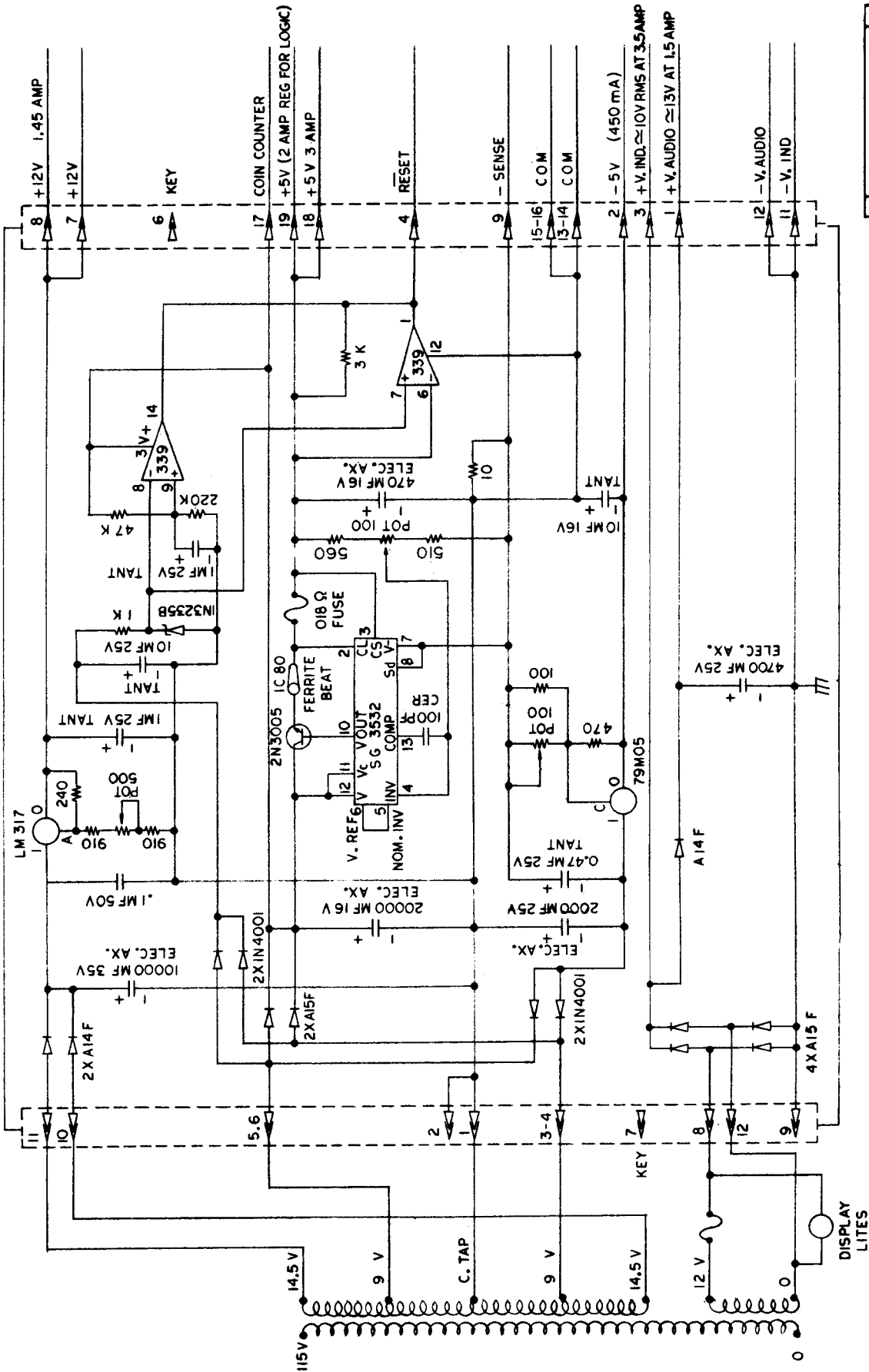
GORF C.T.
 MIDWAY MFG. CO.
 10750 W. GRAND AVE.
 FRANKLIN PARK, IL. 60131

WIRING SCHEMATIC # MC51-00927-A023



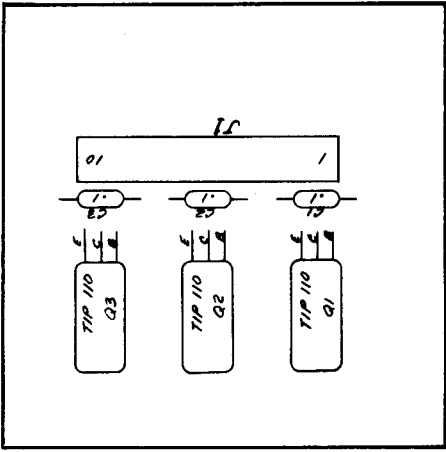


| | | | |
|----------------------------------|--|-------------------|--|
| REVISIONS | | MIDWAY MFG. CO. | |
| | | FRANKLIN PK. ILL. | |
| USED ON | | PART NO. | |
| NO. REQ'D 1 | | A082-90411 - A000 | |
| SCALE | | POWER SUPPLY | |
| HEAT TREAT | | ASSY B. DRWG. | |
| DO NOT SCALE DWG. | | DATE 11 25 80 | |
| DIM. TOLERANCES UNLESS SPECIFIED | | DRN M.M | |
| CONCENTRICITY T.Y.R. .003 | | FINISH | |
| FRACTIONAL 1/64 CKD. | | | |
| DECIMAL 0.008 | | | |
| HOLE DIA +.002-.003 | | | |



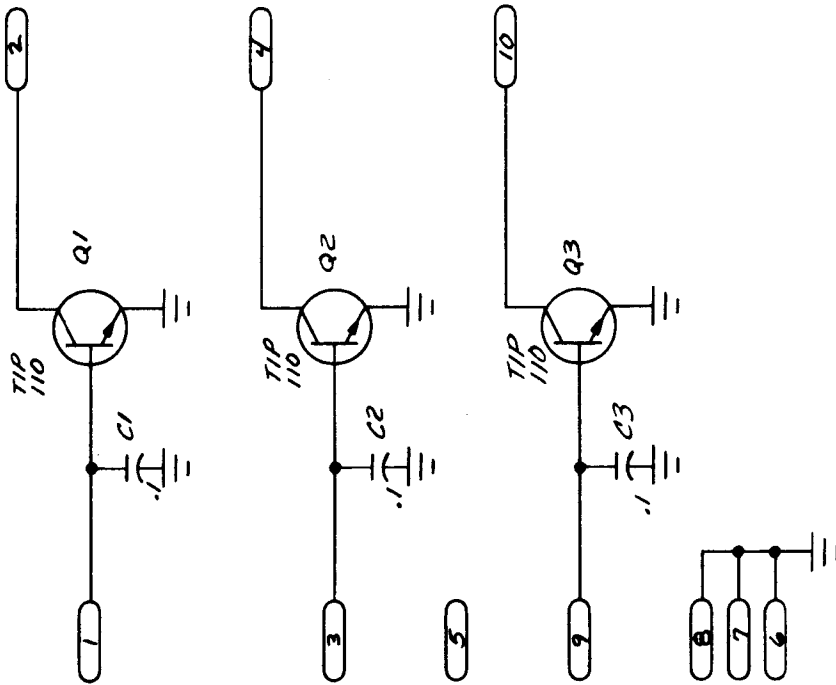
DRAWING NO. M051-00789-A011

| | | | | | | | | | |
|-------------------|--|-----------|--|----------------------|--|--------------------|--|-----------------|--|
| REVISIONS | | USED ON | | SCALE | | HEAT TREAT | | MATERIAL | |
| | | NO. REQ'D | | | | | | | |
| MIDWAY MFG. CO. | | | | COMMERCIAL CARD RACK | | PWR SPLY SCHEMATIC | | PART NO. | |
| FRANKLIN PK. ILL. | | | | | | | | A082-90411-A000 | |
| | | | | | | | | DATE 7/24/80 | |



M051-0926-A023

| | | | |
|----------|---------|----------|---------------------|
| SCALE | DATE | DRAWN BY | TITLE |
| 2/1 | 9/24/87 | JMT | MIDWAY MFG. CO. |
| MATERIAL | FINISH | FOR | DRIVER DRIVER 90. |
| | | NO | MINI + CORK TAIL |
| | | | 9082 - 90508 - 9000 |



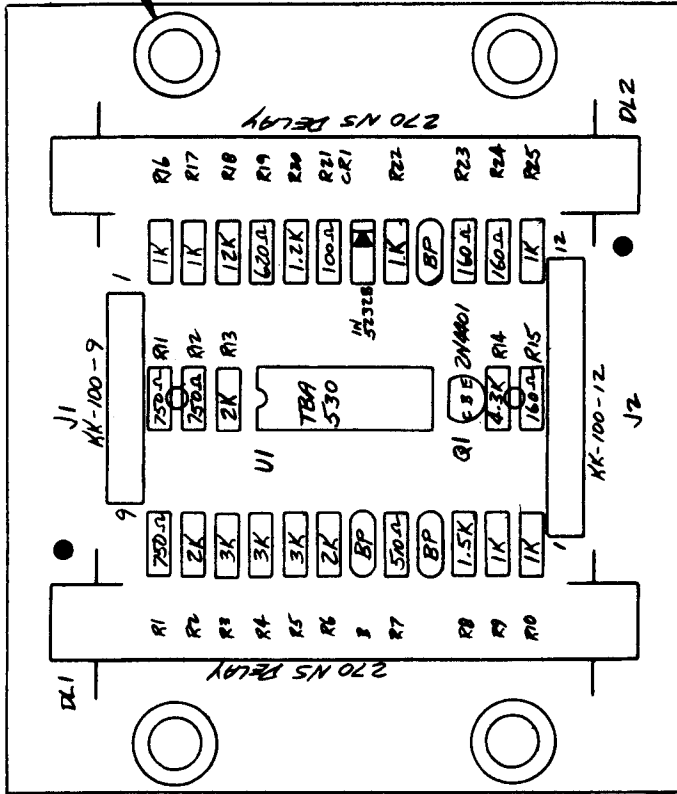
J1

M051-00926-A024

| SCALE | DATE | DRAWN BY | TITLE DRIVER BOARD | |
|------------|---------|--------------|--------------------------|--|
| | 9-17-80 | OTTO | MIDWAY MFG. CO. | |
| | | | FOR GOLF MINI & COCKTAIL | |
| | | | NO 1082-90508-A000 | |
| TOLERANCES | | | | |
| X1: .01 | | | | |
| X10: .005 | | | | |
| ANGULAR: | | | | |
| 10-10-88 | | PROD RELEASE | | |

PART NO.

PART NO.



REV. AEC 196P 1/6/64
 REVISIONS

MIDWAY MFG. CO.
 FRANKLIN PARK, ILL. 60131

PART NO. A082-91363-
 A000

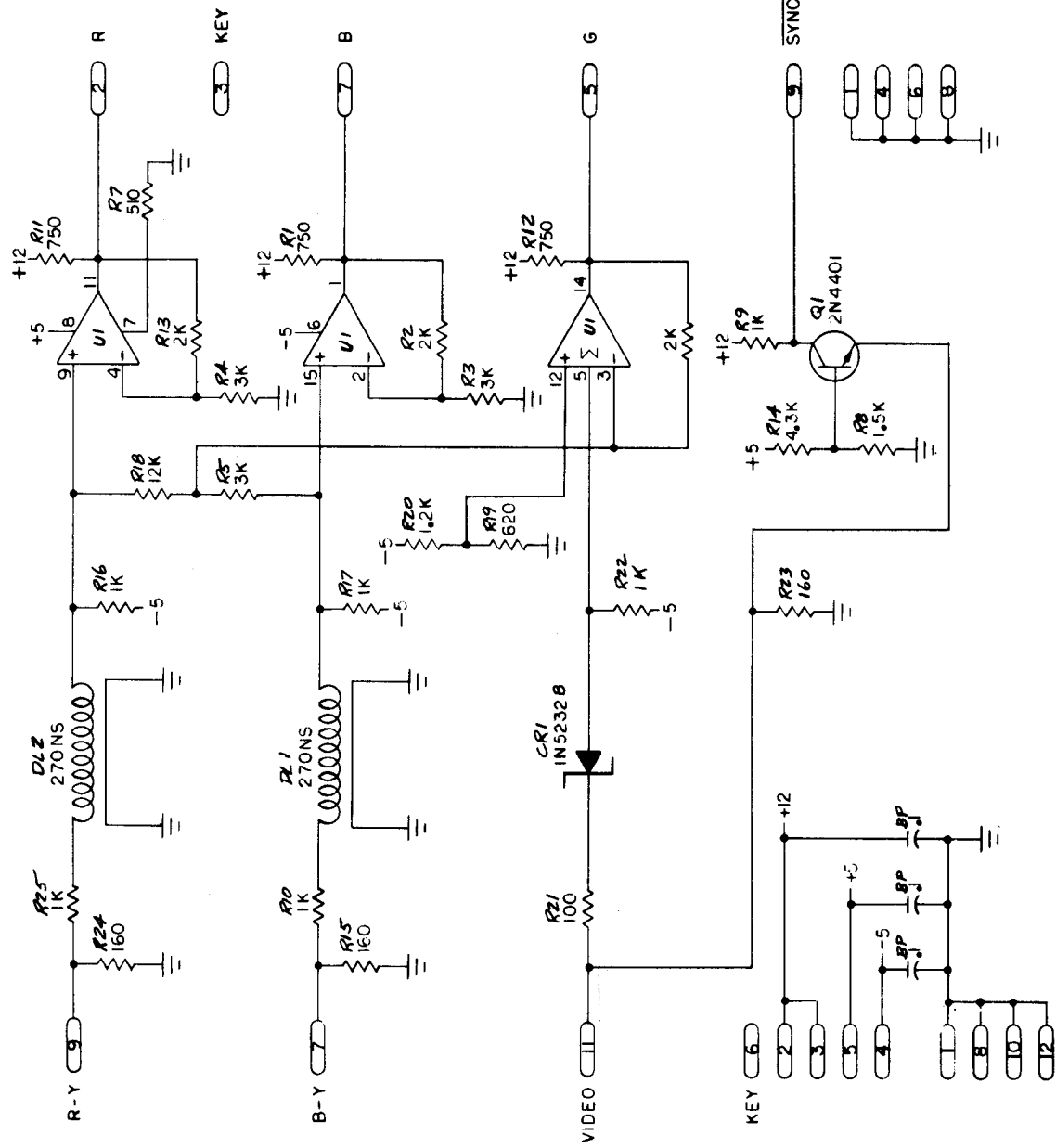
M051-00873-A029

| | | | |
|--------------------|----------|-------|-------|
| NO. NOT SCALE SWP. | NO. RECD | DATE | BY |
| USED ON | SCALE | TREAT | FRONT |
| DATE | DATE | DATE | DATE |

DIM. TOLERANCES
 CONCENTRICITY T.I.R. .000
 FRACTIONAL .5 1/64
 DECIMAL .5 .005
 HOLE DIA. .5 .005 - .005

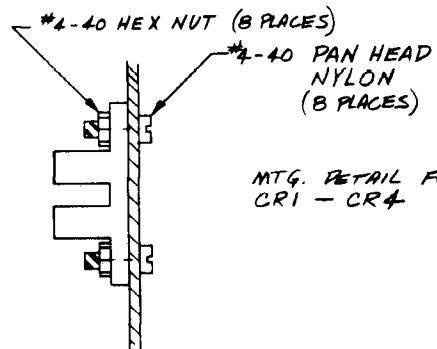
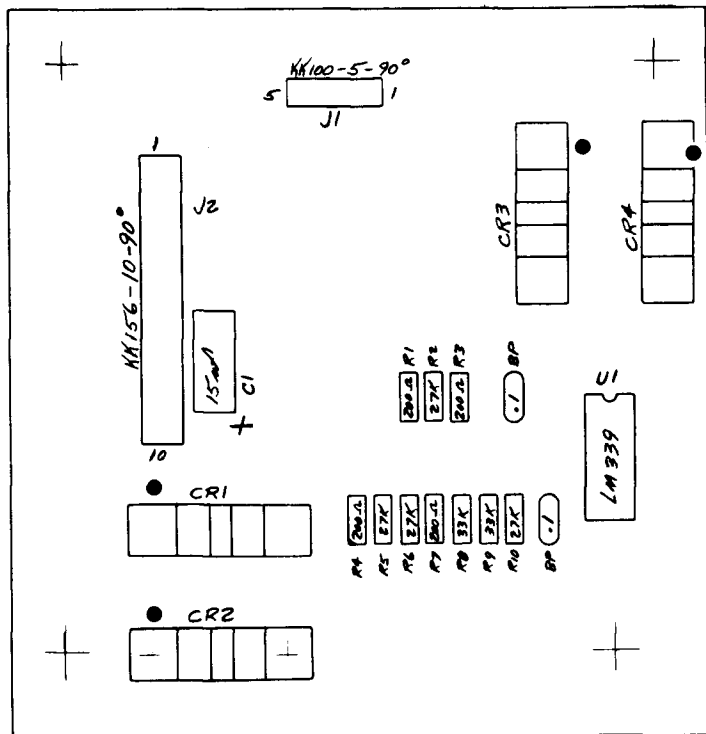
RGB INTERFACE
 COMM. CARD RACK

TBA-530



M051-00873-A030

| | | | |
|--|---------|----------|--------------------|
| SCALE | DATE | DRAWN BY | TITLE |
| NONE | 8-29-60 | OTTO | MIDWAY MFG. C.O. |
| MATERIAL | | | RGB INTERFACE |
| | | | FOR CCRS |
| | | | NO A082-91363-A000 |
| REVISIONS 1 2 3 4 5 6 7 8 9 10 11 12 | | | |

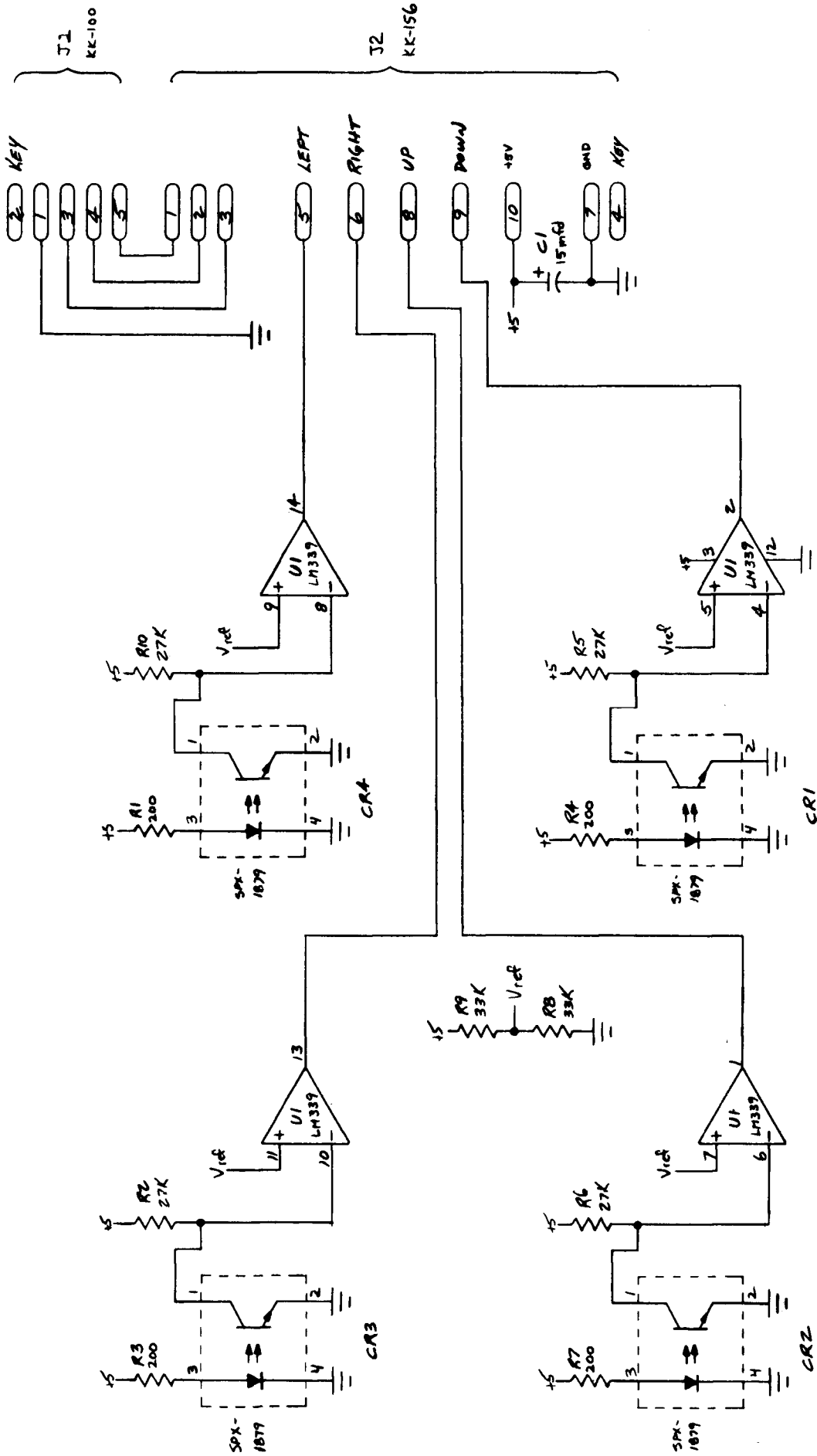


MTG. DETAIL FOR
CR1 - CR4

M051-00873-A027

| | | | | | | |
|-------------------------------------|--|------------|--------------|---------------------|----------------|----------------------|
| DO NOT SCALE DWG. | | HEAT TREAT | SCALE 2-1 | USED ON CCR-600F | NO. REQ'D 1 | REVISIONS 10/2/00 |
| DIN. TOLERANCES UNLESS SPECIFIED | | | MAT'L. | MIDWAY MFG. CO. | | PART NO. |
| CONCENTRICITY ± 0.05 | | | FINISH | FRANKLIN PK. ILL. | | |
| FRACTURAL ± 0.001 | | | | CONTROL GRIP ASSY. | | |
| DECIMAL ± 0.001 | | | | | | |
| HOLE DIA. ± 0.02-0.03 | | | | | | |
| DATE | | | | | | |

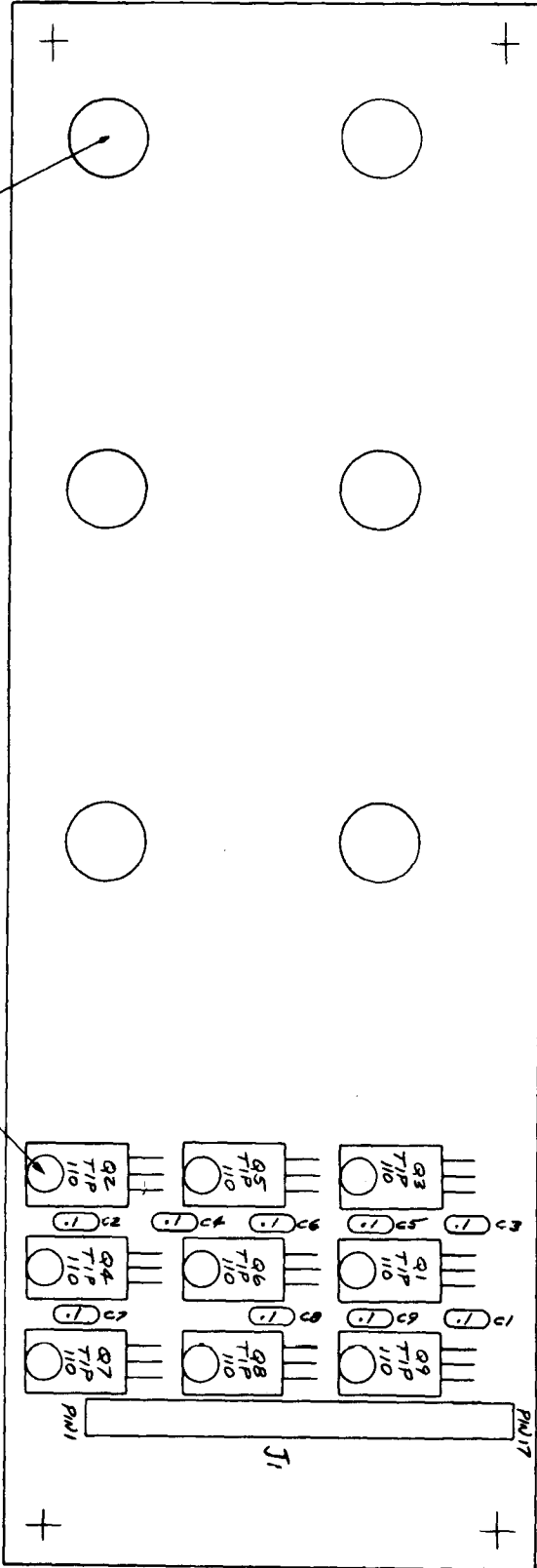
A082-91379-A000



MIDWAY MFG. CO.

MOS1-00873-A025

CONTROL GRIP PC ASSY A082-91379-A000



COMPONENT SIDE VIEW

#161 LAMP WITH
0017-00031-0029 SOCKET
(6 PLACES)

OPTIONAL MTG. HWK.
METAL SNMP # 0017-00007-0134
(9 PLACES)

| | | | |
|--------------|------|--------|-----------------|
| DESIGNER | DATE | SCALE | TITLE |
| | | 2.1 | MIDWAY MFG. CO. |
| CHK'D | DATE | | |
| | | | |
| | | | |
| | | | |
| | | | |
| | | | |
| | | | |
| MATERIAL | | | MATERIAL |
| | | | |
| TOLERANCES | | FINISH | |
| | | | |
| NO. | | | REV. |
| A084 | | | 1 |
| - 91376-A873 | | | |

M051-00873-A028

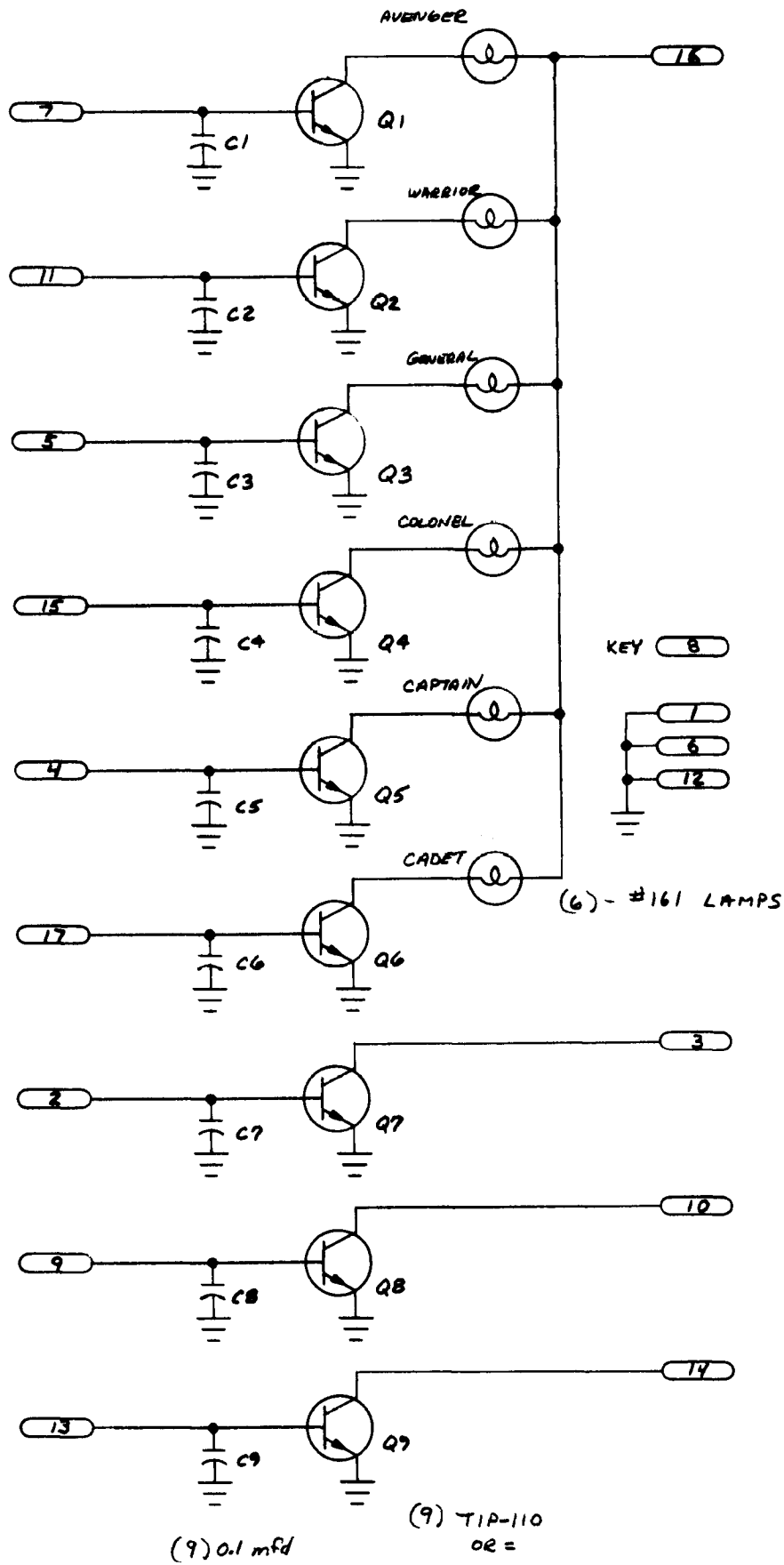
MIDWAY MFG. CO.

DISPLAY BOARD

9 LAMPS FROM COUNTERS

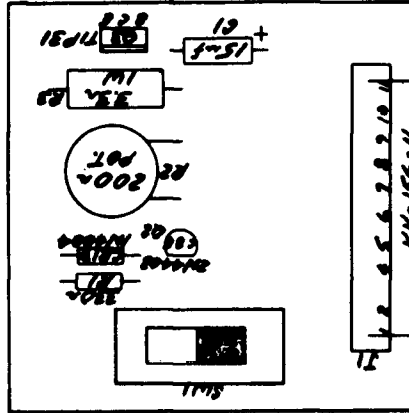
A084 - 91376-A873

J1

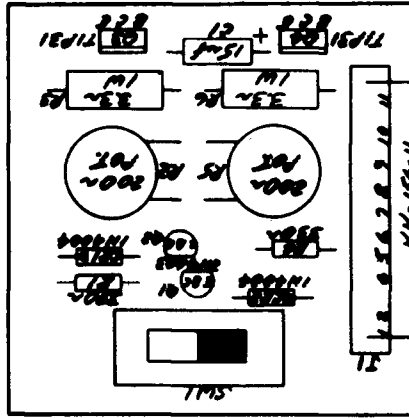


M051-00673-A026

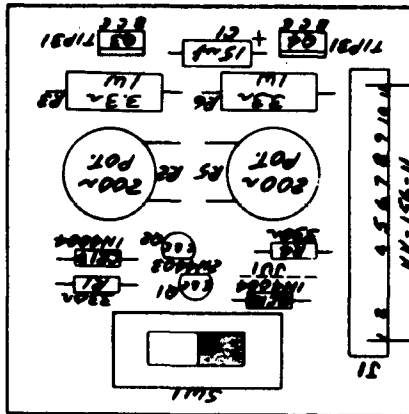
| | | | |
|-------------------------------------|---------|----------|--------------------------|
| SCALE | DATE | DRAWN BY | MIDWAY MFG. CO. |
| | 9-17-80 | OTTO | TITLE DISPLAY BOARD ASSY |
| MATERIAL | FINISH | | FOR GOLF UPRIGHT |
| FOR FINISHES SEE: 01 SEE: 204 | | | NOB4 - 91376 - A873 |
| 10.10.81 | | | PROD Release |



MONO
AUDIO AMP BOARD ASSEMBLY
AOBZ-20204-A002

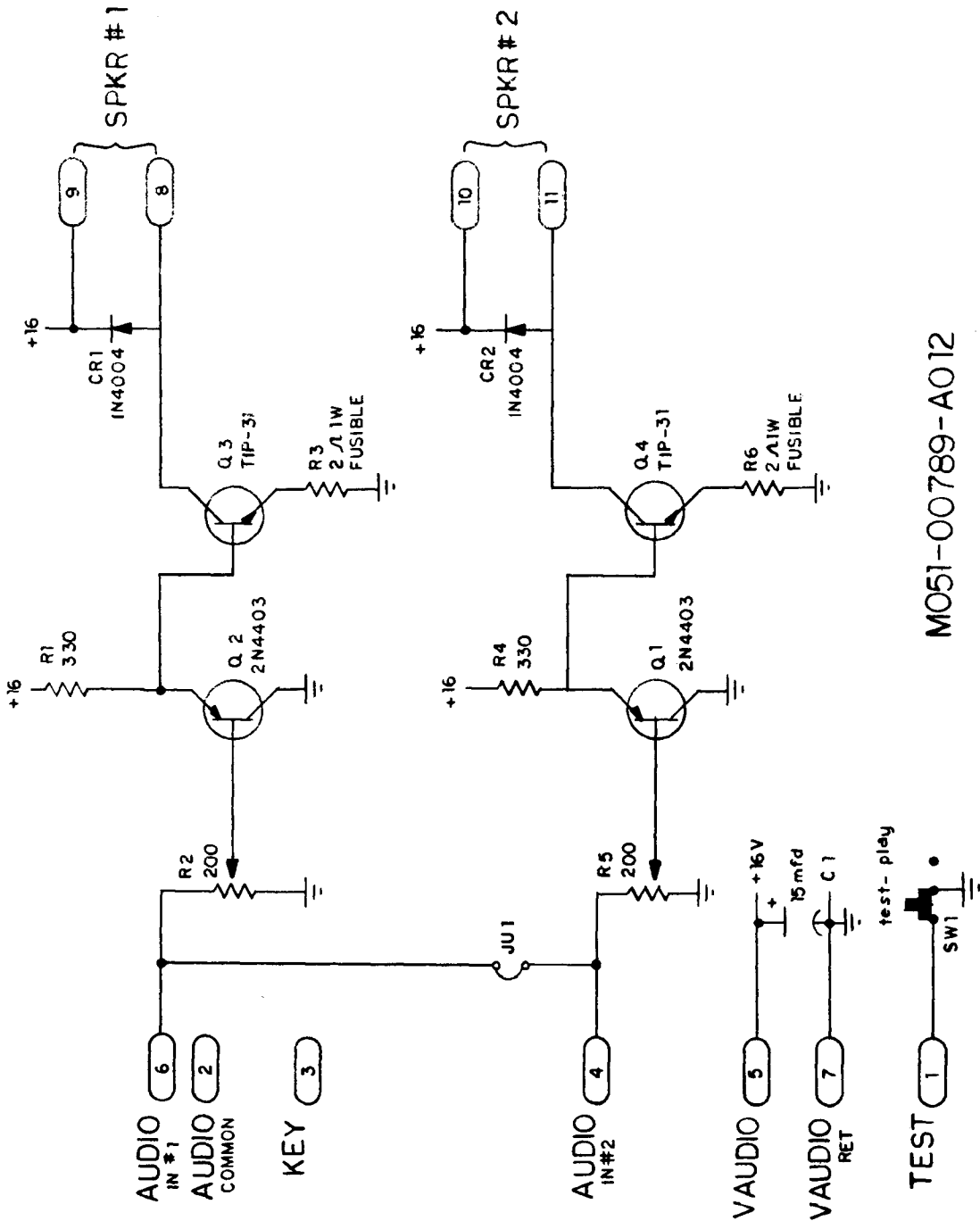


STEREO
AUDIO AMP BOARD ASSEMBLY
AOBZ-20203-A002



DUAL MONO
AUDIO AMP BOARD ASSEMBLY
AOBZ-20205-A002

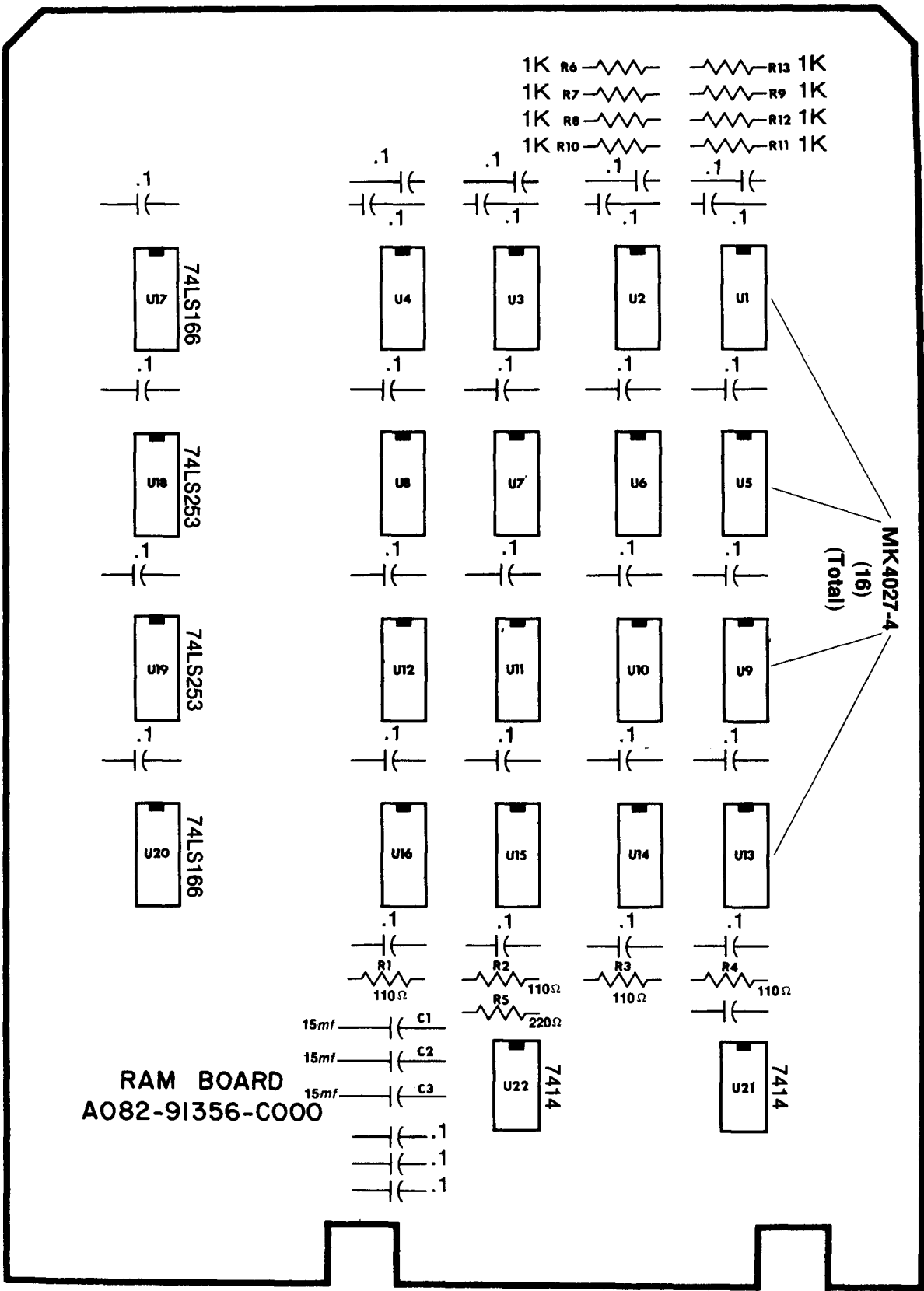
MO51-00789-A013



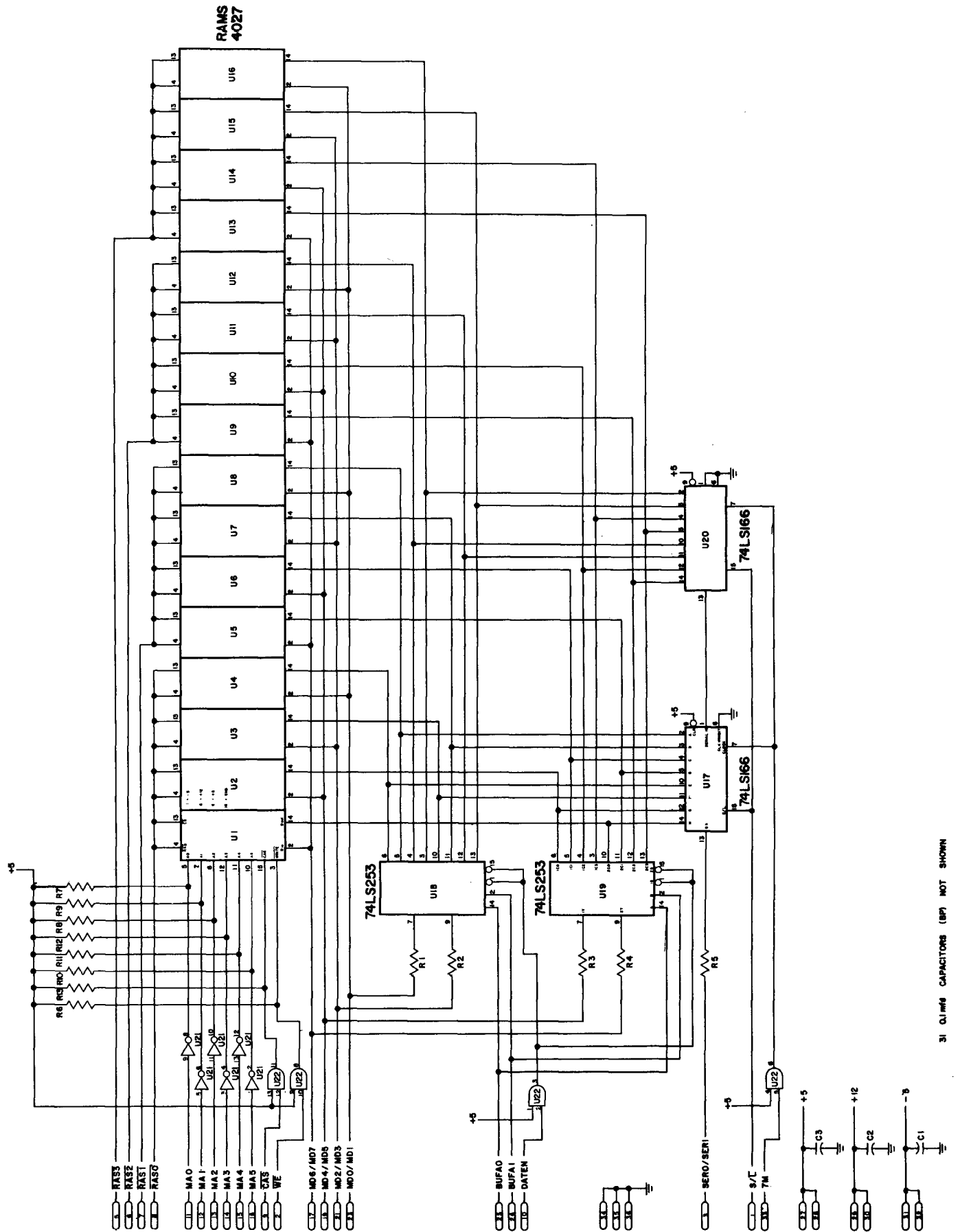
NOTE*
 * FOR MONO 1/2 CIRCUIT SHOWN IS USED
 FOR DUEL MONO BOTH CIRCUITS ARE
 USED JUMPER JU1 IS USED
 FOR STEREO BOTH CIRCUITS ARE
 USED JUMPER JU1 IS NOT USED

M051-00789-A012

| | |
|-----------------------------|-----------------|
| PART NO. A082-90903-A000 | AUDIO AMP BOARD |
|-----------------------------|-----------------|



COMPONENT PART NO. M051-00789-C003



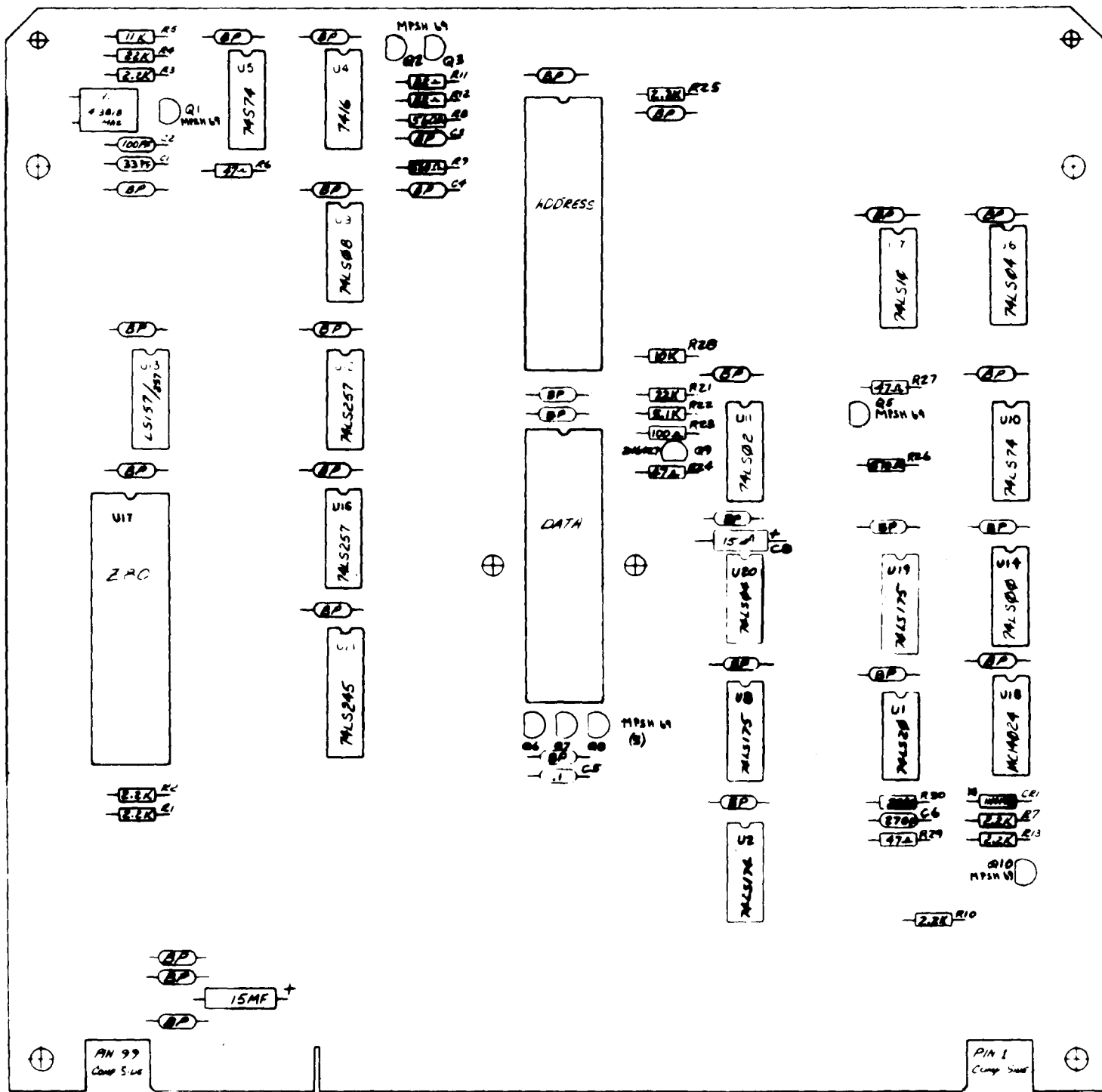
RAM BOARD

SCHEMATIC PART NO.

M051-00789-C002

A082-91356-C000

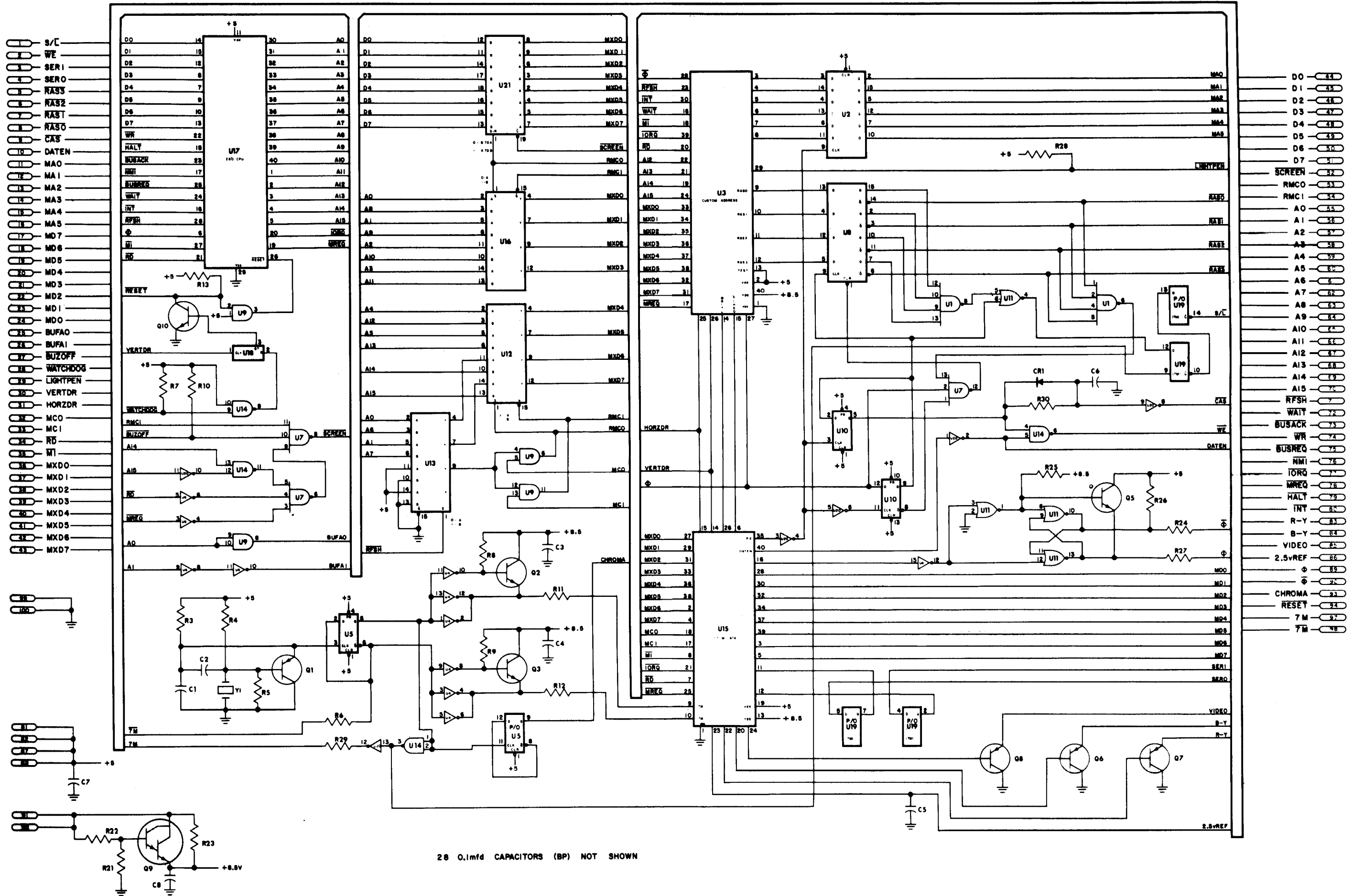
31 01 mfs CAPACITORS (BP) NOT SHOWN



Component Side

M051-00789-F006

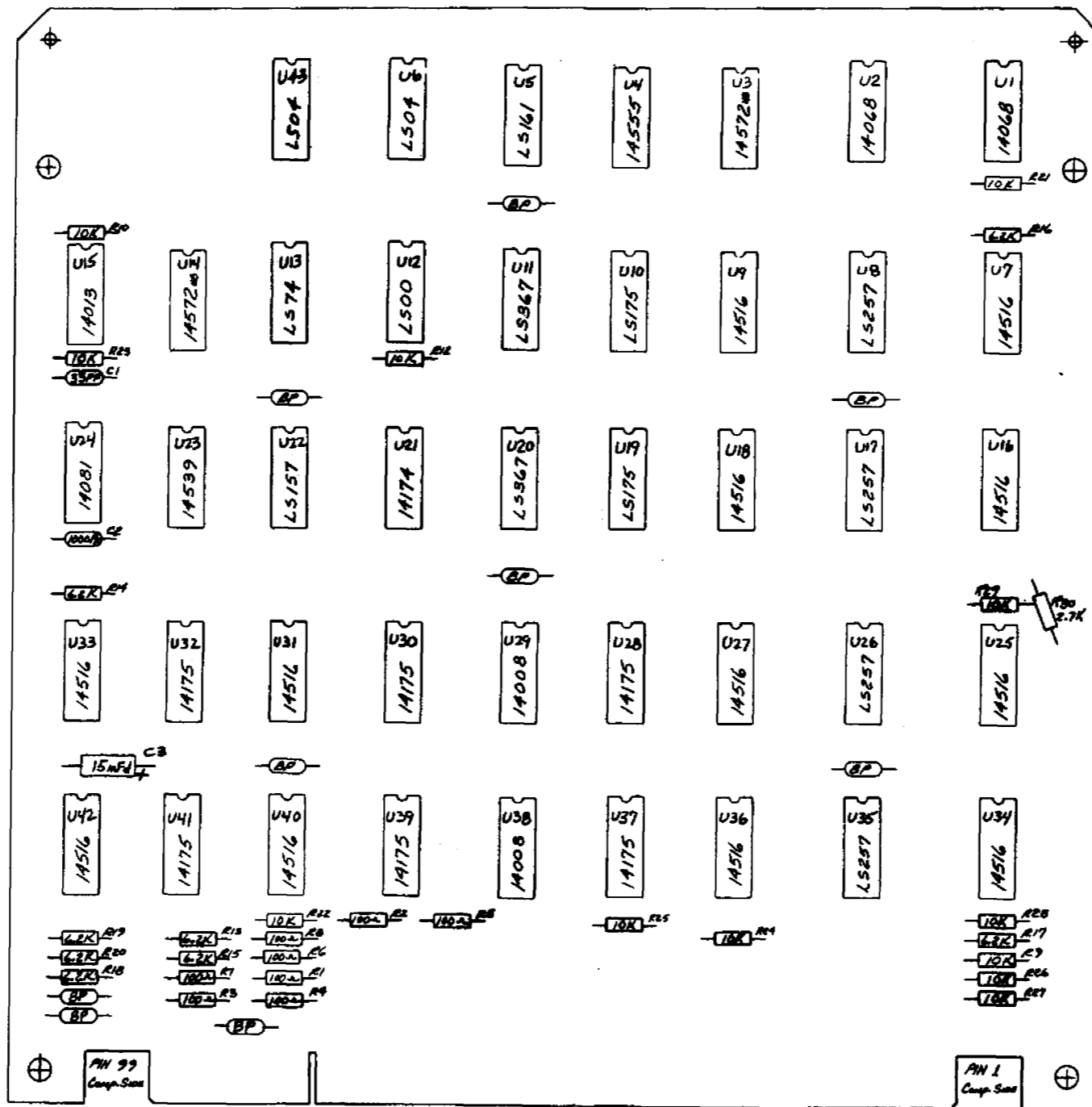
| | | | | | |
|-----|---------|-----|------|-----|-----------------|
| REV | DATE | BY | CHKD | QTY | ISSUED BY |
| 1 | 3-18-70 | 2-1 | 2-77 | KEF | MIDWAY MFG. CO. |
| C | 3-18-70 | | | | CPU BOARD |
| D | 4-18-70 | | | | Comm Card Rack |
| E | 7-15-70 | | | | A062-91954-F000 |



28 0.1µfd CAPACITORS (BP) NOT SHOWN

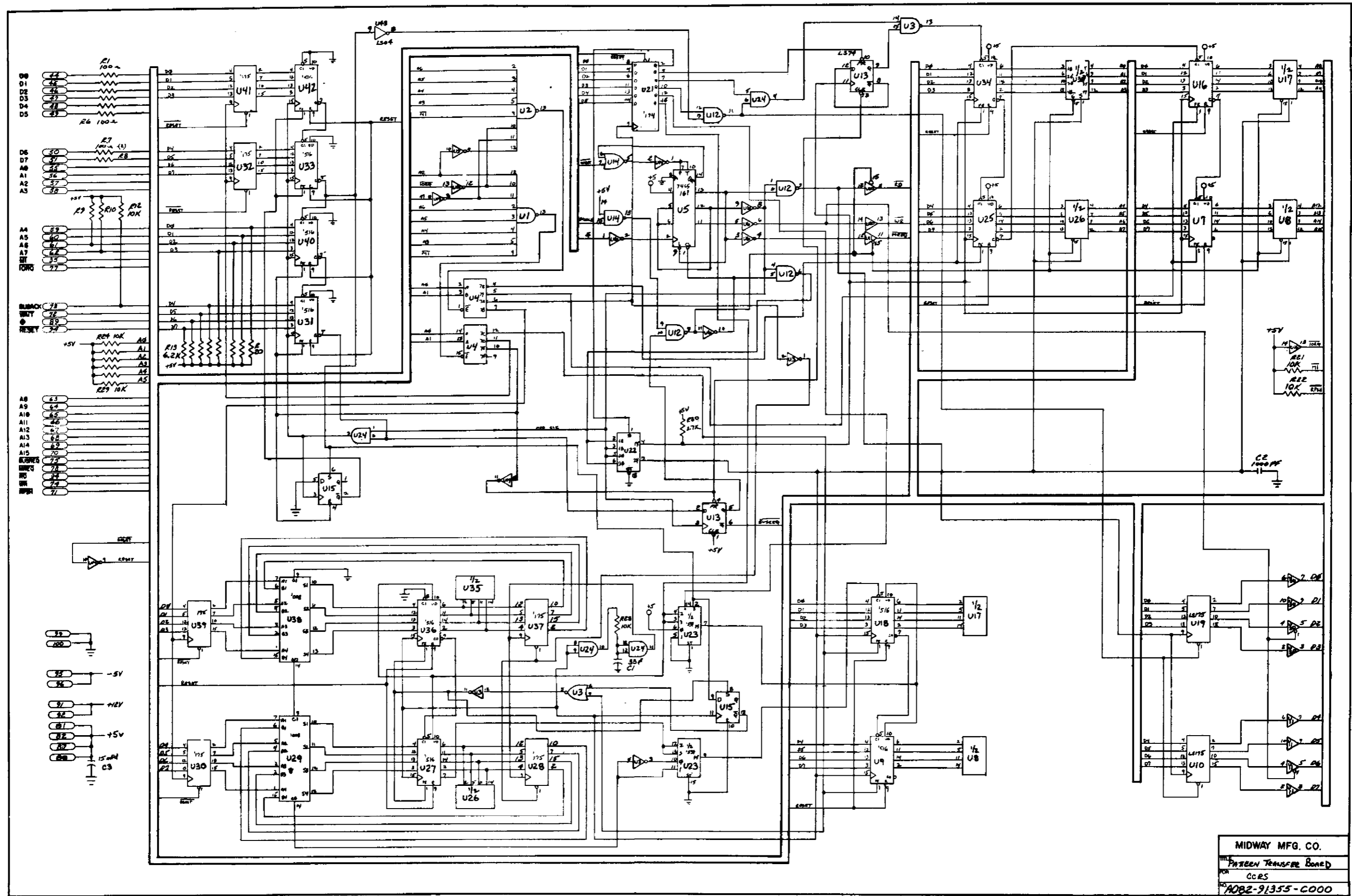
A082-91354-F000
M051-00789-F005

CPU BOARD

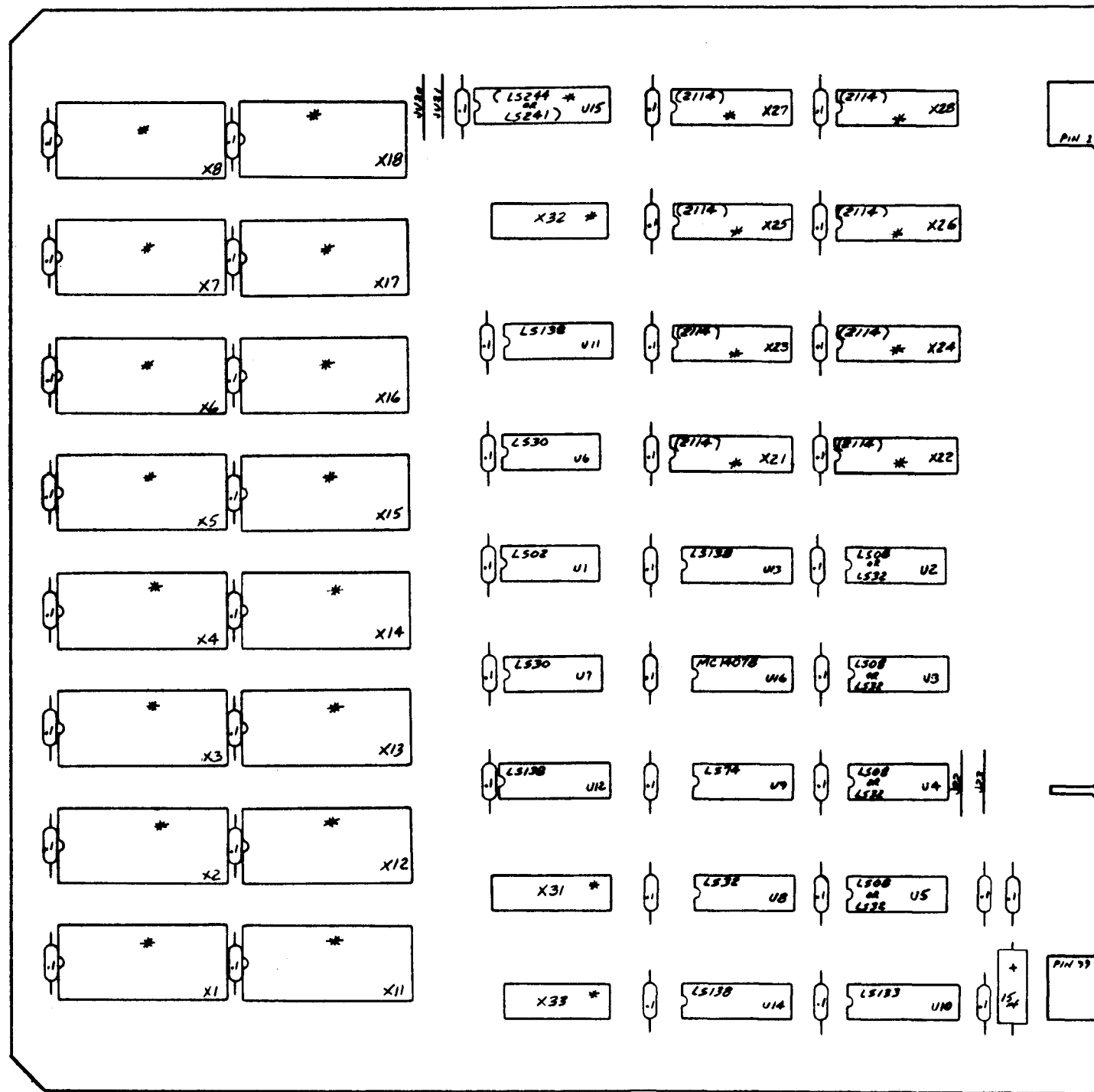


COMPONENT SIDE
 AOB2-91355-000
 PATTERN BOARD
 COMM. CARD BACK

MIDWAY MFG. CO.
 PATTERN BOARD
 COMM. CARD BACK
 AOB2-91355-000



MIDWAY MFG. CO.
 GREEN TRANSFER BOARD
 FOR
 CCBS
 A082-91355-000



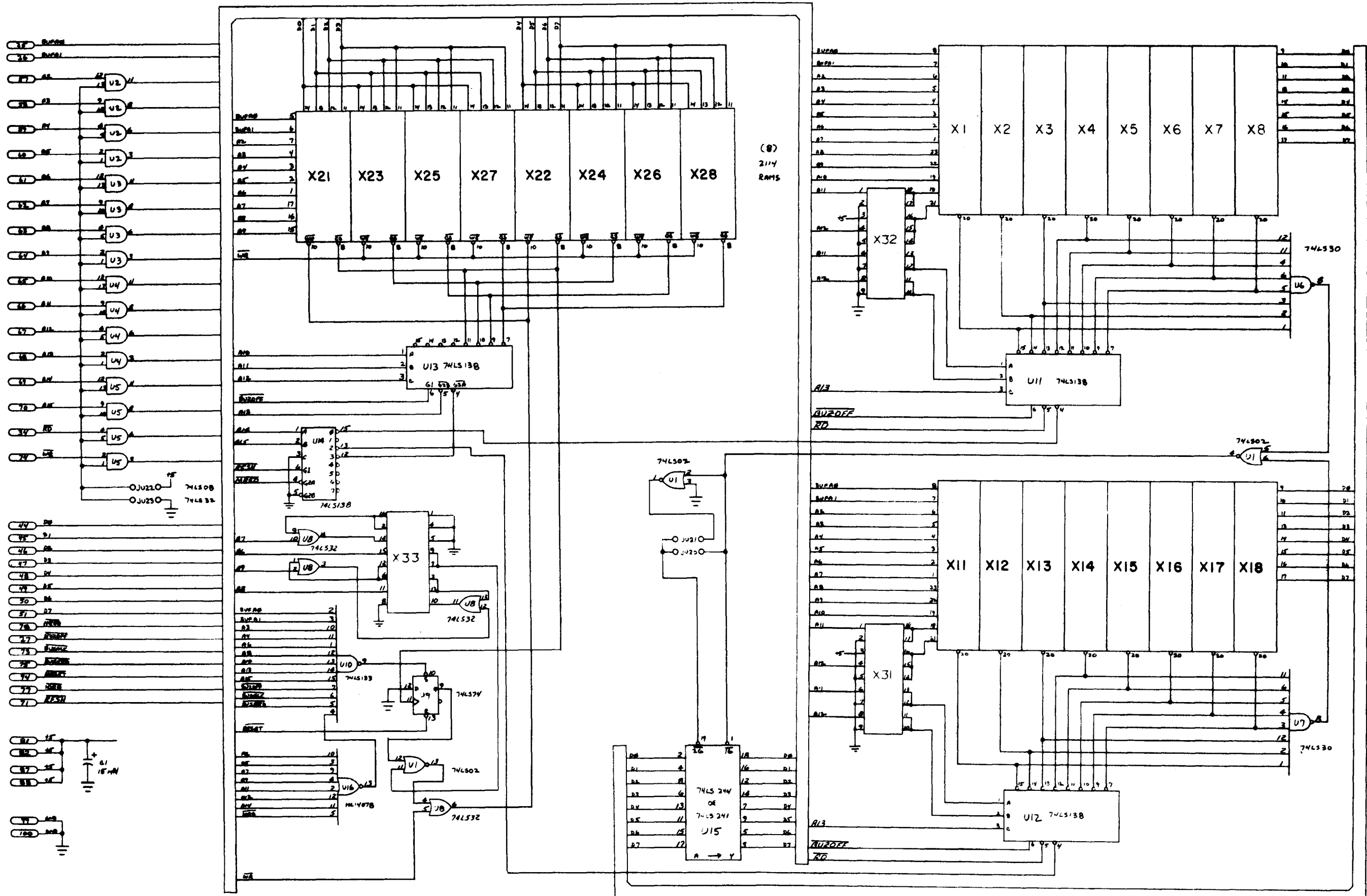
COMPONENT SIDE

* - DENOTES WHICH POSITION RECEIVES I.C. SOCKET.

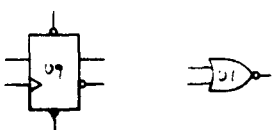
M051-00873 - A032

| | | | | |
|--|--|--|--|-----------------|
| | | | | MIDWAY MFG. CO. |
| | | | | 7002-91364-0000 |
| | | | | |
| | | | | |

DOMESTIC



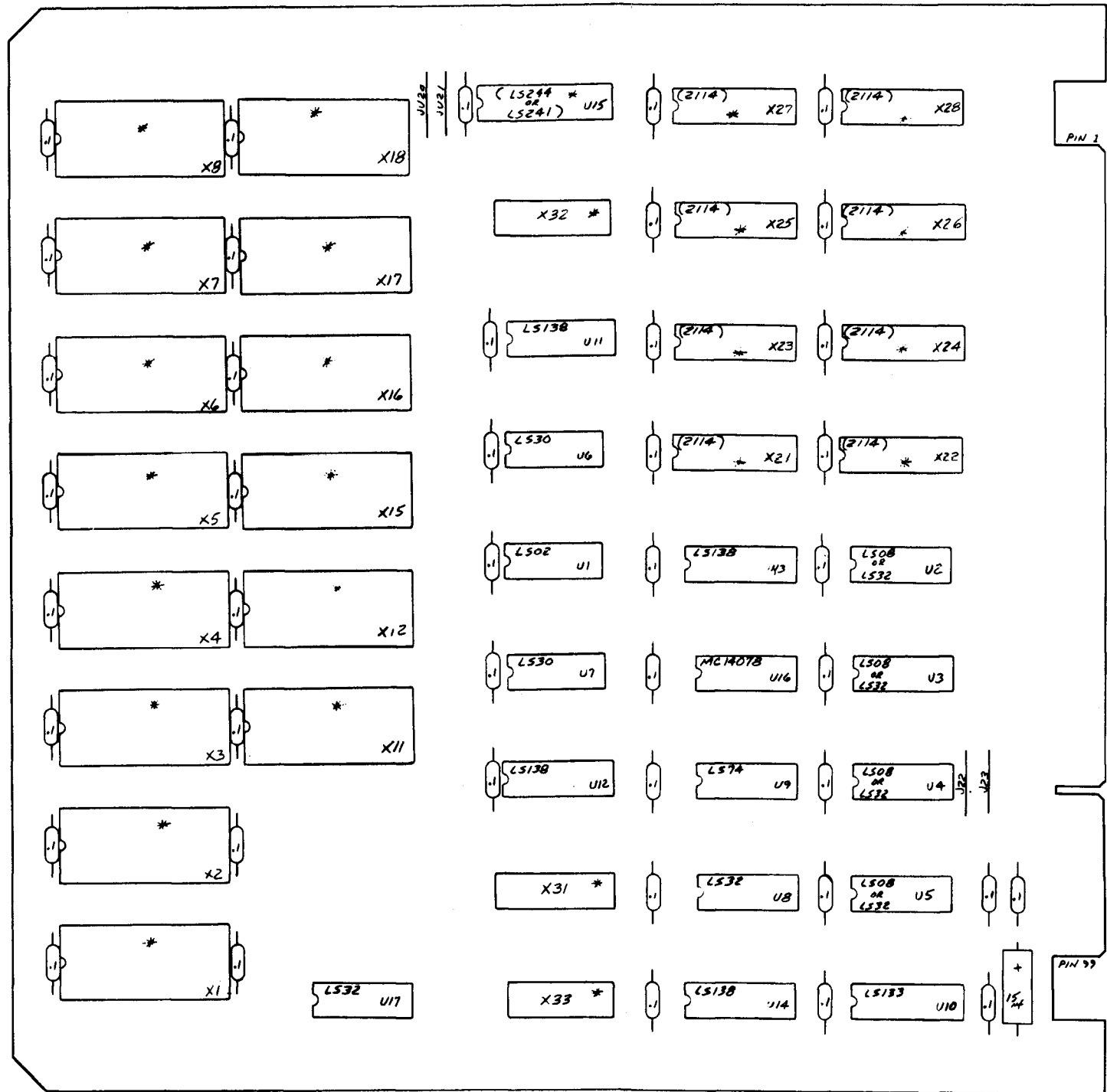
NOT USED



M051-00873-A033

| | | | |
|-----|------|-------------|-------------------|
| REV | DATE | DESIGNED BY | MIDWAY MFG. CO. |
| | | | |
| | | | TYPE RAM/RAM CARD |
| | | | GORE |
| | | | A002-71364-R000 |

DOMESTIC



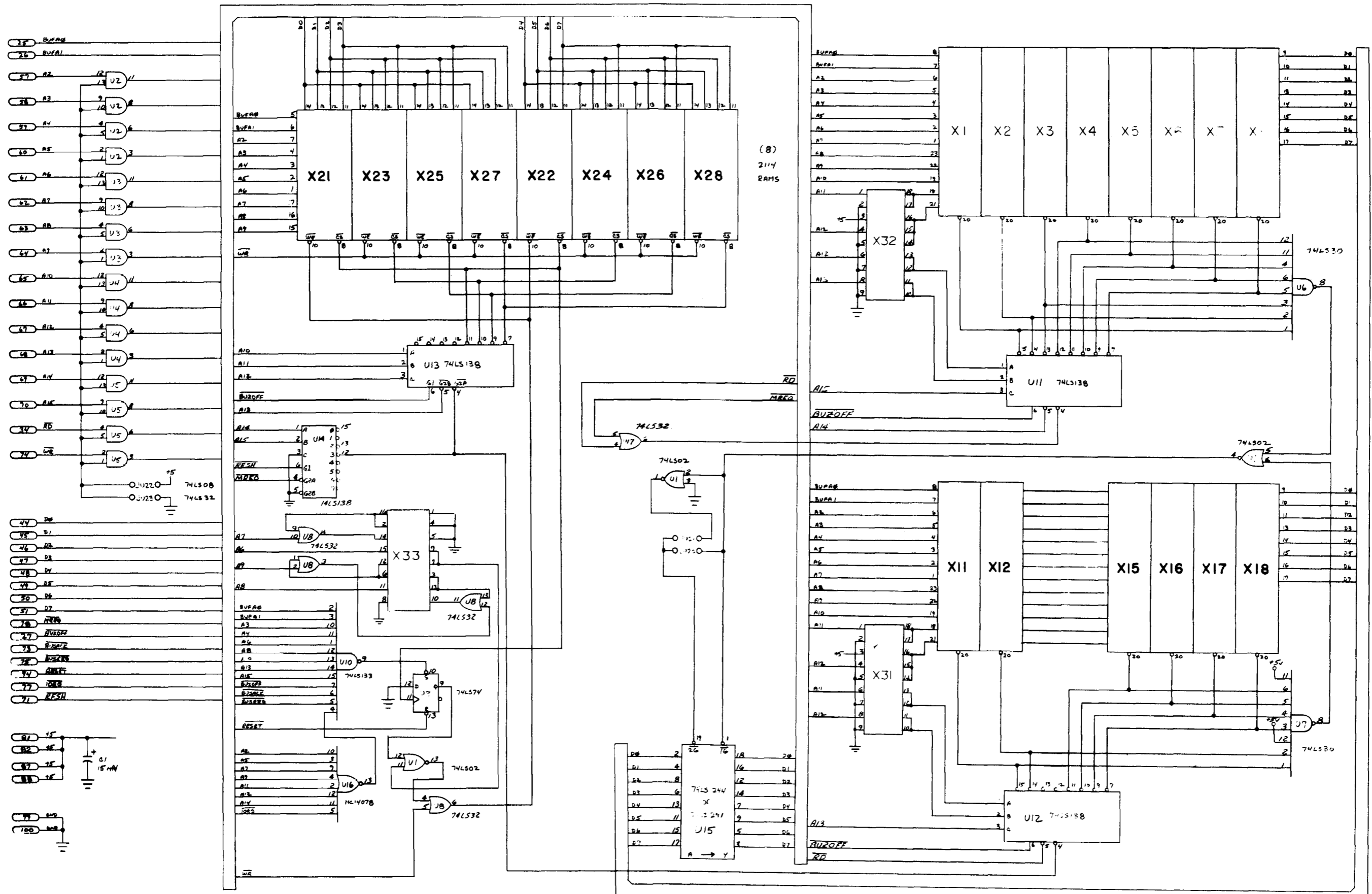
COMPONENT SIDE

* - DENOTES WHICH POSITION RECEIVES I.C. SOCKET.

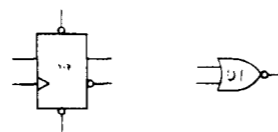
FOREIGN

M051-00073-A031

| | | | |
|----------------|----------|-------------|------------------|
| SCALE | DATE | DESIGNED BY | MIDWAY MFG. CO. |
| 2/1 | 1/3/64 | WJ | |
| MATERIAL | FINISH | TITLE | RAM/RAM AD (44K) |
| NO. REV. | REV. 1 | FOR | |
| PROJ. ENGINEER | 10/10/60 | NO. | A082-91374-A000 |

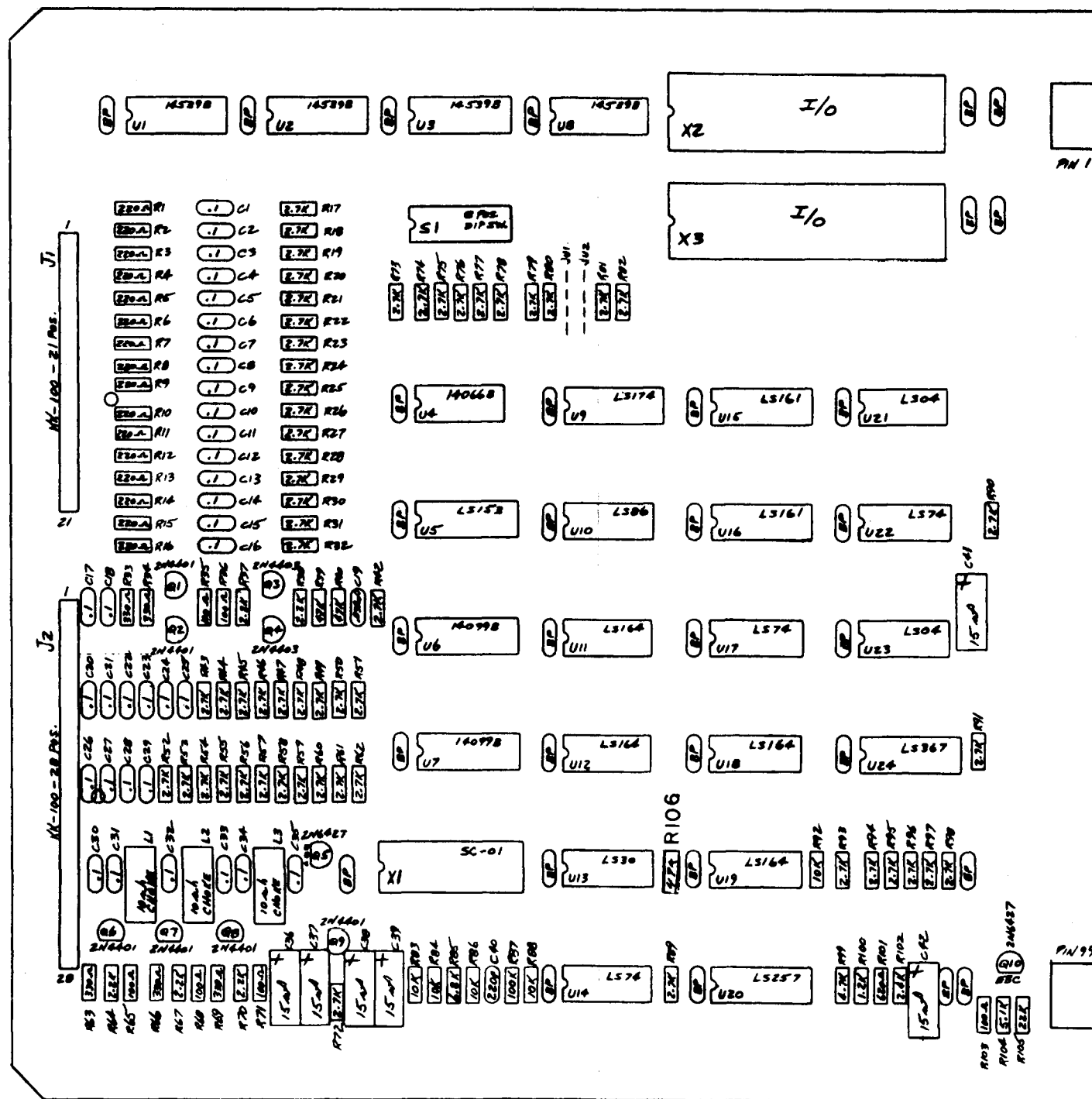


NOT USED



M051-00873-A034

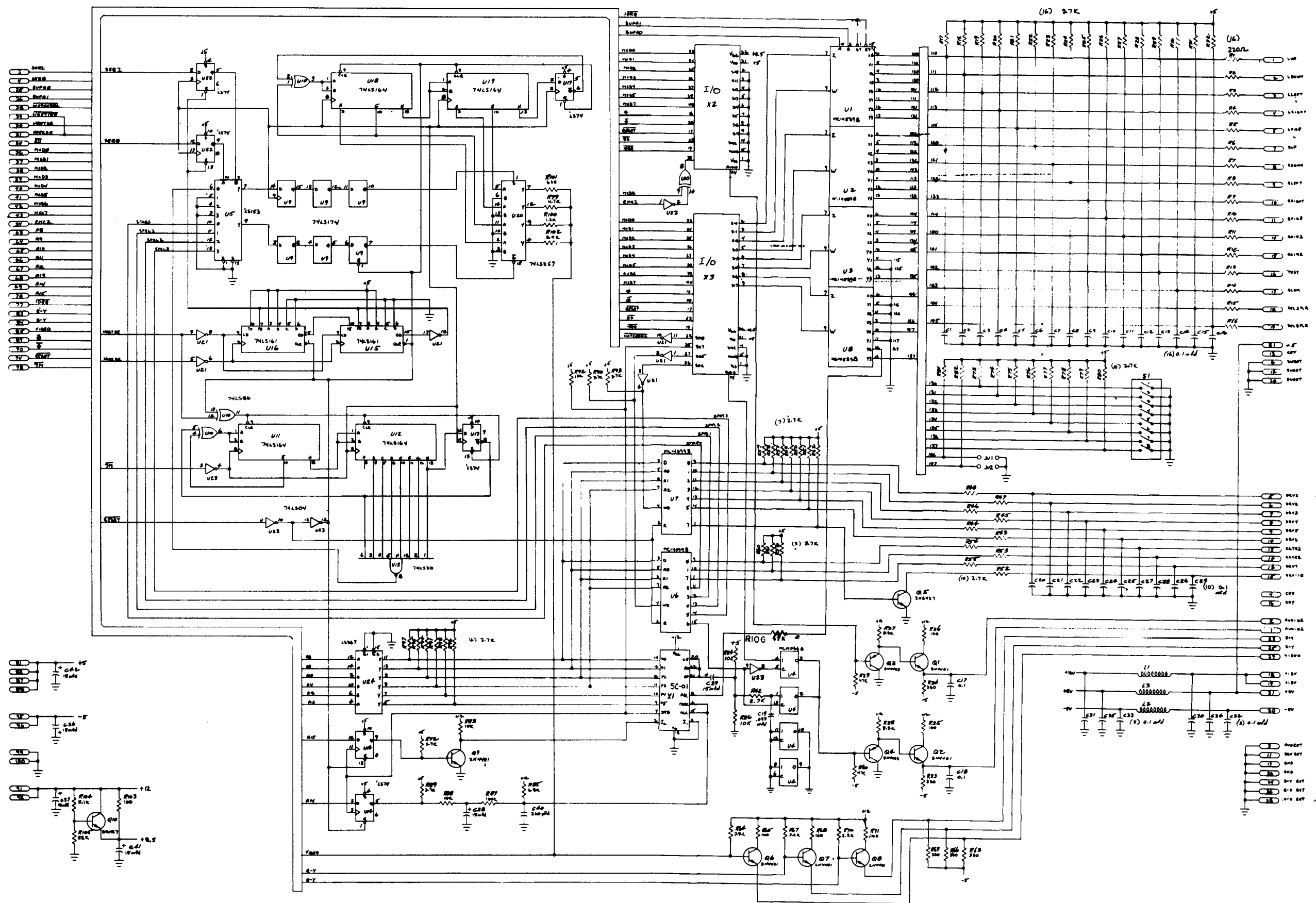
| | | | |
|---------------|-----------|----------|--------------------|
| SCALE | DATE | DRAWN BY | MIDWAY MFG. CO. |
| NONE | 7-20-80 | OTO | |
| MATERIAL | FRESH | TITLE | ROM/RAM CARD (44K) |
| RELIEF | | FOR | CCBS |
| PROD. PACKAGE | NO. 10-88 | NO. | A0B2-91374-A000 |



COMPONENT SIDE VIEW

M051-00873-C038

| | | | | | | | |
|-----------------|------|----|------|-----|-------|-------|---------|
| REV | DATE | BY | CHKD | QTY | PRICE | TOTAL | REMARKS |
| 1-29-88 | | | | | | | |
| MIDWAY MFG. CO. | | | | | | | |
| CORP GAME BD | | | | | | | |
| CCR | | | | | | | |
| A087-90708-C073 | | | | | | | |



*C VERSION LOGIC HAS 47K RESISTOR THAT IS IN TRACE OF PIN-8 OF SC-01 IN THE B VERSION THE 47K IS SHORTED

GOLF GAME BOARD
A084-90708-C873

M051-00873-C024

Monitor schematics and parts lists omitted

GORF GAME BOARD**PC A084-90708-A873**

| CHIP NUMBER | FUNCTION |
|--------------------|--|
| 74LS04 | Hex inverter |
| 74LS30 | 8 input Nand |
| 74LS74 | Dual "D" Flip-Flop |
| 74LS86 | Quad 2 input exclusive or |
| 74LS153 | Dual 4 to 1 line multiplexer |
| 74LS161 | 4 bit binary counter |
| 74LS164 | 8 bit shift register |
| 74LS174 | Hex "D" Flip-Flop |
| 74LS257 | Quad 2 to 1 line multiplexer - tri-state |
| 74LS367 | Hex bus driver - tri-state |
| 0066-117XX (2720) | Custom I/O chip |
| MC14066 | Quad bilateral switch - Cmos |
| MC14099 | 8 bit addressable latch - Cmos |
| MC14539 | Dual 4 to 1 line multiplexer - Cmos |
| SC01 | Voice sound generator |
| Additional Devices | |
| 2N4401 | NPN transistor |
| 2N4403 | PNP transistor |
| 2N6427 | NPN transistor |
| L1, L2, L3 | 10 uH choke |

RGB INTERFACE**PC A082-91363-A000**

| | |
|--------------------|----------------|
| TBA530 | Op-Amp |
| Additional Devices | |
| 2N4401 | NPN transistor |

CONTROL GRIP ASSEMBLY**A082-91379-A000**

| | |
|--------------------|--------------------|
| LM339 | Voltage comparator |
| Additional Devices | |
| Spx11879-11 | Sensor |

GORF ROM/RAM BOARD**PC A082-91364-A000**

| CHIP NUMBER | FUNCTION |
|-------------|---------------------------------|
| 74LS02 | Quad 2 input Nor |
| 74LS08 | Quad 2 input And |
| 74LS30 | 8 input Nand |
| 74LS32 | Quad 2 input Or |
| 74LS74 | Dual "D" Flip-Flop |
| 74LS133 | 13 input Nand |
| 74LS138 | 3 to 8 line decoder/multiplexer |
| 74LS244 | Octal buffer |
| MC14078 | 8 input Nor - Cmos |
| 2114 | 1K x 4 - Ram |
| 9332 | 4K x 8 - Rom |

CPU BOARD**PC A082-91354-C000**

| | |
|--------------------|--------------------------|
| 74LS00 | Quad 2 input Nand |
| 74LS02 | Quad 2 input Nor |
| 74LS04 | Hex inverter |
| 74LS08 | Quad 2 input And |
| 74LS10 | Triple 3 input Nand |
| 74LS20 | Dual 4 input Nand |
| 74LS74 | Dual "D" Flip-Flop |
| 74LS157 | Quad 2 input multiplexer |
| 74LS174 | Hex "D" Flip-Flop |
| 74LS175 | Quad "D" Flip-Flop |
| Z80 | CPU |
| 2719-(0066-115) | Address custom chip |
| 2721-(0066-116) | Data custom chip |
| 74LS245 | Octal bus transceiver |
| 74LS257 | Quad 2 input multiplexer |
| 74LS74 | Dual "D" Flip-Flop |
| 7416 | Hex buffer |
| MC14024 | 7 stage ripple counter |
| Additional Devices | |
| 2N4401 | NPN transistor |
| T1S-137 | PNP transistor |
| IN4004 | Diode |
| IN4148 | Diode |
| 14.31818 | Crystal |

PATTERN BOARD
PC A082-91355-C000

| CHIP NUMBER | FUNCTION |
|-------------|----------------------------|
| 74LS00 | Quad 2 input Nand |
| 74LS04 | Hex inverter |
| 74LS74 | Dual "D" Flip-Flop |
| 74LS157 | Quad 2 input multiplexer |
| 74LS161 | 4 bit binary counter |
| 74LS175 | Quad "D" Flip-Flop |
| 74LS257 | Quad 2 input multiplexer |
| 74LS367 | Hex bus driver |
| CD4555 | Dual binary 1 or 4 decoder |
| MC14008 | 4 bit full adder |
| MC14013 | Dual "D" Flip-Flop |
| MC14068 | 8 input Nand |
| MC14174 | Hex "D" Flip-Flop |
| MC14175 | Quad "D" Flip-Flop |
| MC14516 | Binary up/down counter |
| MC14539 | Dual 4 input multiplexer |
| MC14572 | Multiple gate package |

RAM BOARD
PC 082-91356-C000

| | |
|-----------------|-----------------------------------|
| 74LS08 | Quad 2 input And |
| 74LS14 | Hex schmitt trigger |
| 74LS166 | Parallel to serial shift register |
| 74LS253 | Dual 4 input multiplexer |
| MK4027 (MK4015) | RAM |

AUDIO AMPLIFIER BOARD
PC A082-90903-A000

| | |
|--------|----------------|
| 2N4403 | PNP transistor |
| TIP 31 | NPN transistor |
| IN4004 | Diode |

POWER SUPPLY
PC A082-90411-A000

| | |
|--------------------|---------------------------------|
| LM317 | Voltage regulator |
| LM339 | Quad voltage comparator |
| SG3532 | General purpose regulator |
| Additional Devices | |
| 79M05 | Negative five voltage regulator |
| IN3235 | Zener diode |
| 2N3055 | NPN transistor |

NOTE: When an IC is a LS, it should be replaced by a LS device (low schottky).

STRAPPING CHART

ROM / RAM BOARD

DOMESTIC FOR ROMS

| | 1 | 2 | 3 | 4 | 5 | 6 | 7 | 8 | 9 |
|------|--------|------|--------|------|--------|--------|--------|--------|------|
| X-31 | CLOSED | OPEN | OPEN | OPEN | CLOSED | OPEN | CLOSED | CLOSED | OPEN |
| X-32 | | | | | | | | | |
| X-33 | CLOSED | OPEN | CLOSED | OPEN | OPEN | CLOSED | CLOSED | OPEN | |

DOMESTIC FOR PROMS

| | 1 | 2 | 3 | 4 | 5 | 6 | 7 | 8 | 9 |
|------|--------|------|--------|------|------|--------|--------|--------|------|
| X-31 | CLOSED | OPEN | CLOSED | OPEN | OPEN | OPEN | CLOSED | CLOSED | OPEN |
| X-32 | | | | | | | | | |
| X-33 | CLOSED | OPEN | CLOSED | OPEN | OPEN | CLOSED | CLOSED | OPEN | |

FOREIGN ROMS

| | 1 | 2 | 3 | 4 | 5 | 6 | 7 | 8 | 9 |
|------|--------|------|--------|------|--------|--------|--------|--------|------|
| X-31 | CLOSED | OPEN | CLOSED | OPEN | OPEN | CLOSED | OPEN | CLOSED | OPEN |
| X-32 | CLOSED | OPEN | OPEN | OPEN | CLOSED | CLOSED | OPEN | CLOSED | OPEN |
| X-33 | CLOSED | OPEN | CLOSED | OPEN | OPEN | CLOSED | CLOSED | OPEN | |

RAM/ROM BOARD

| | | | | | | |
|-------|--------|-------|-----|---------|-----------|----------------|
| CUT | JUMPER | JU 20 | FOR | 74LS241 | LOCATION | U15 |
| * CUT | JUMPER | JU 21 | FOR | 74LS244 | LOCATION | U15 |
| CUT | JUMPER | JU 22 | FOR | 74LS32 | LOCATIONS | U2, U3, U4, U5 |
| * CUT | JUMPER | JU 23 | FOR | 74LS08 | LOCATIONS | U2, U3, U4, U5 |

GORF GAME BOARD

| | | | | |
|-----|--------|------|-----|--------------|
| CUT | JUMPER | JU 2 | FOR | VOCAL SOUND |
| | JUMPER | JU 1 | IN | FOR COCKTAIL |
| | JUMPER | JU 1 | OUT | FOR UPRIGHT |