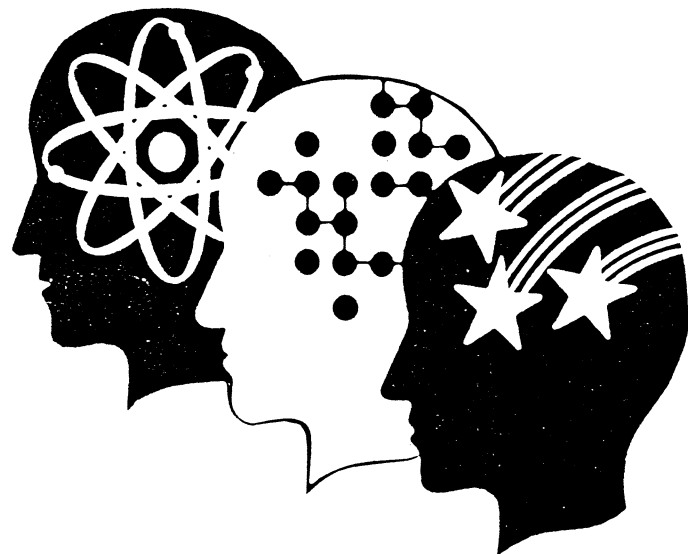


Nichibutsu



Frontier Spirit
of Amusement

15737 GARFIELD AVE.
UNIT #18
PARAMOUNT, CA 90723



Nichibutsu

Roller

JAMMER

SERVICE MANUAL



INSTALLATION

YOUR GAME WAS SHIPPED FROM THE FACTORY IN READY-TO-PLAY CONDITION.

A BRIEF INSPECTION IS SUGGESTED BEFORE THE MACHINE IS REMOVED FROM THE CARTON. IF THERE IS DAMAGE TO THE SHIPPING CARTON, CONTACT THE FREIGHT CARRIER FOR CLAIM PURPOSES. EXTERNAL DAMAGE COULD INDICATE POSSIBLE DAMAGE TO THE CABINET AND/OR ELECTRONICS COMPONENTS.

AFTER THE CARTON HAS BEEN SATISFACTORILY INSPECTED, REMOVE THE MACHINE FROM THE SHIPPING CARTON.

EXAMINE THE INTERIOR OF THE GAME FOR DISCONNECTED WIRES, CABLES OR HARNESSSES. MAKE SURE THE ELECTRONIC DEVICES ARE SECURELY MOUNTED IN THEIR SOCKETS, ETC. RECORD THE GAME SERIAL NUMBER, SINCE IT WILL BE REQUIRED FOR REFERENCE AND SERVICING.

USER INFORMATION - F.C.C.

WARNING

THIS EQUIPMENT GENERATES, USES, AND CAN RADIATE RADIO FREQUENCY ENERGY AND IF NOT INSTALLED AND USED IN ACCORDANCE WITH THE INSTRUCTIONS MANUAL, MAY CAUSE INTERFERENCE TO RADIO COMMUNICATIONS.

IT HAS BEEN TESTED AND FOUND TO COMPLY WITH THE LIMITS FOR A CLASS "A" COMPUTING DEVICE PURSUANT TO SUBPART J OF PART 15 OF F.C.C. RULES, WHICH ARE DESIGNED TO PROVIDE REASONABLE PROTECTION AGAINST SUCH INTERFERENCE WHEN OPERATED IN A COMMERCIAL ENVIRONMENT.

OPERATION OF THIS EQUIPMENT IN A RESIDENTIAL AREA IS LIKELY TO CAUSE INTERFERENCE IN WHICH CASE THE USER AT HIS OWN EXPENSE WILL BE REQUIRED TO TAKE WHATEVER MEASURES MAY BE REQUIRED TO CORRECT THE INTERFERENCE.

ROLLER JAMMER -CABINET PARTS

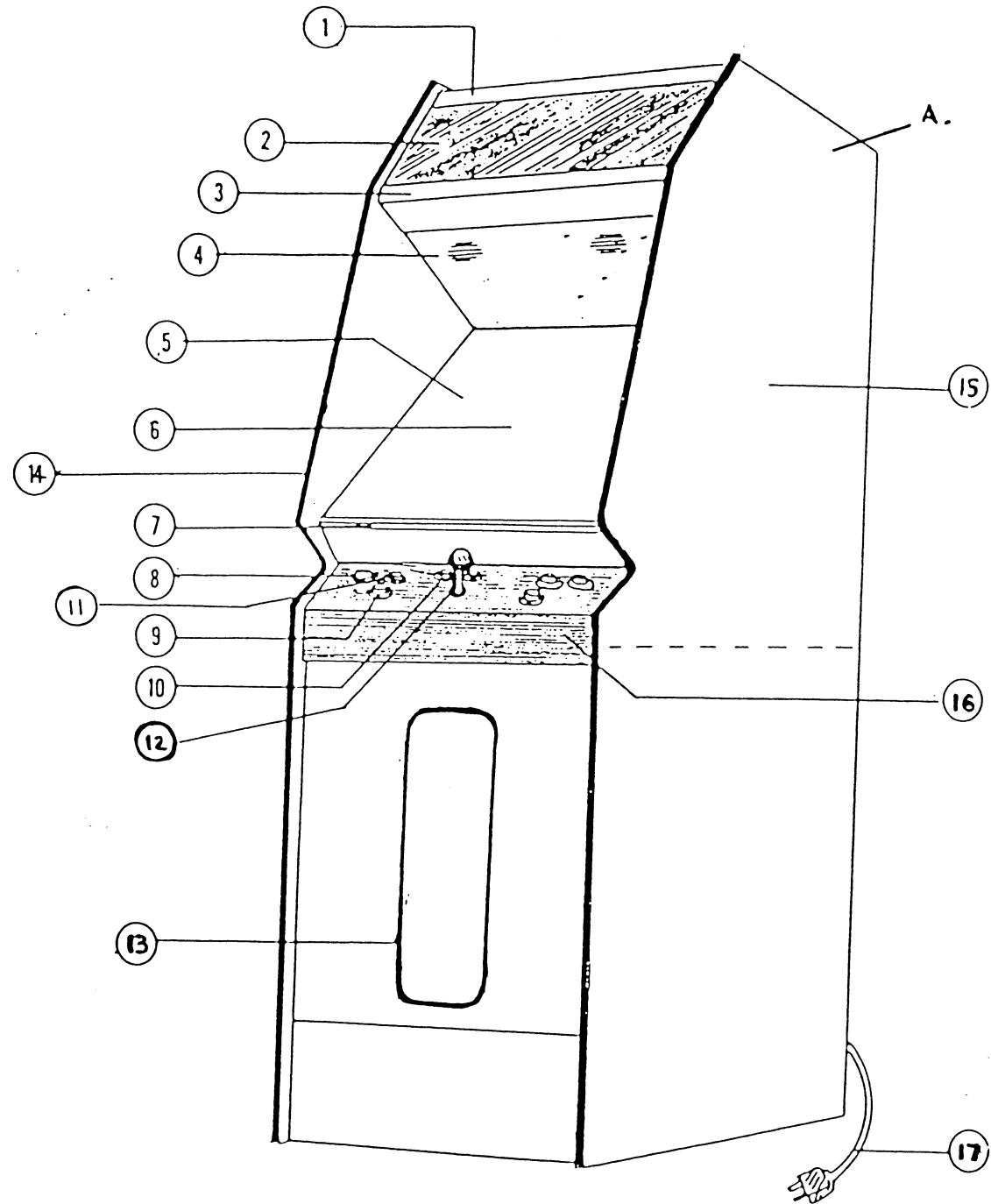
- A. WOOD CABINET
- 1. Top Marquee Metal Bracket
- 2. Marquee Plex
- 3. Bottom Marquee Metal Bracket
- 4. Speaker , 8ohm , 6 watt , 5 1/4" Round (2 required)
- 5. Monitor Bezel
- 6. Monitor Glass, tinted & tempered
- 7. Monitor Hold Bracket-Front
- 7B. Monitor Hold Bracket-Rear
- 8. Left Punch Button (2 required)
- 9. Right Punch Button (2 required)
- 10. Player 1 Start Button
- 10B. Player 2 Start Button
- 11. Right Punch Button (2 required)
- 12. 8 Way Joystick
- 13. Over/Under Coin Door Assembly
- 14. Left Side Decal
- 15. Right Side Decal
- 16. Control Panel Overlay
- 16B. Metal Control Panel
- 17. Power Cord- AC

NOT SHOWN

- 18. Power Supply 7A +5V,+12V & -5V.
- 19. Fuse Block
- 20. Line Filter
- 21. Isolation Transformer
- 22. 19" Color Monitor
- 23. Wiring Harness
- 24. F.C.C. Metal Cage
- 25. Nichibutsu P.C.B.
- 26. Coin Meter
- 27. Monitor Side Bracket (2 required)
- 28. Rear Door Assembly
- 29. Rear Door Lock
- 30. Light Fixture-Complete
- 31. Speaker Grill

HEIGHT - 73"
WIDTH - 25 1/2"
DEPTH - 27 1/4"
WEIGHT - 330 lbs.

CABINET FRONT VIEW



NICHIBUTSU - ROLLER JAMMER GAME INSTRUCTIONS

CONTROLS

- * Move joystick "UP" and man will skate quickly gaining momentum.
- * Move joystick "DOWN" and skater will DUCK DOWN to avoid upper body punches.
- * Move joystick "LEFT or RIGHT" to move skater thru traffic during gameplay.
- * Push "JUMP" and skater leaps into the air to avoid water spills, downed opponents and grand stand technique.
- * Push "LEFT PUNCH" or "RIGHT PUNCH" and skater will extend appropriate arm to clobber a path to victory!
- * Push "START" TO BEGIN PLAY.

HOW TO PLAY

1. Player must first "QUALIFY" in order to determine skaters race time allotment.
2. Within given time, skater must "PASS" given number of opponents to complete each race. This number is shown in the top right corner of the screen. Success graduates to the next race.
3. Game over if skater does not accomplish required passing.
4. BONUS points for time leftover after each race.
5. During game play, skater can qualify for each of three levels of competition; Novice, Amateur & Professional. Player can face up to nine different teams.

GAME PLAY STRUCTURE



DIP SWITCH ADJUSTMENTS

NOVICE CLASS

TEAMS

TIME TRIAL RACE - ONE FLAGS!

Race One

Race Two

Race Three

BIG BOMBERS

SLICK SLAPPERS

MAD SMASHERS

AMATEUR CLASS

TIME TRIAL RACE - TWO PYLONS!

Race Four

Race Five

Race Six

WILD BRUISERS

SMOOTH SLAMMERS

MEAN BULLIES

PROFESSIONAL CLASS

TIME TRIAL RACE - THREE FLAGS & PYLONS!

Race Seven

Race Eight

Race Nine

BONE CRUSHERS

MIGHTY MUSCLES

RAIL REBELS

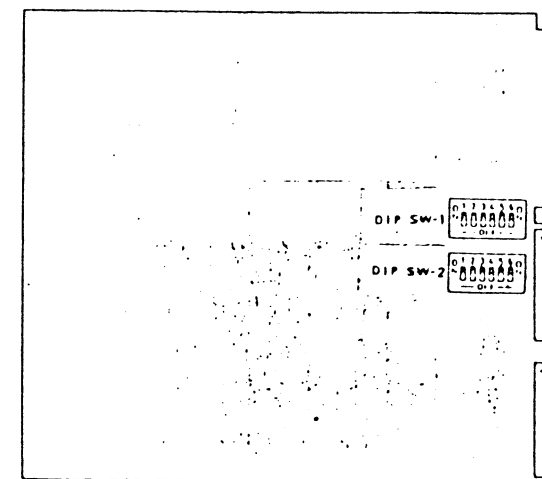
EVENT OVER - CONGRADULATIONS !!!

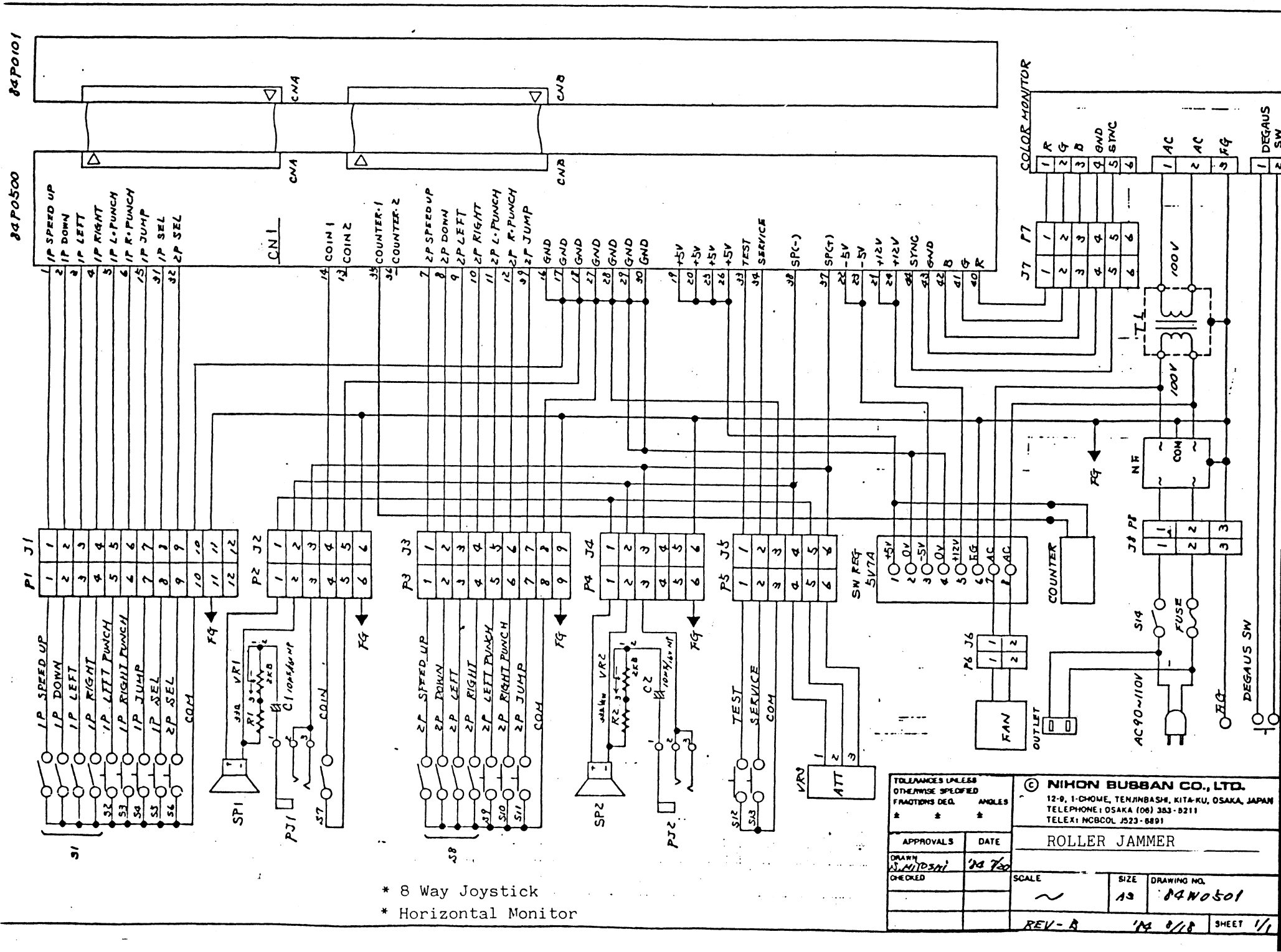
SWITCH 1

OPTION		1	2	3	4	5	6
Coin 1	1 Coin / 1 Play	OFF	OFF				
	1 " / 2 "	OFF	ON				
	2 " / 1 "	ON	OFF				
	Free Play	ON	ON				
Coin 2	1 Coin / 3 Play			OFF	OFF		
	1 " / 6 "			OFF	ON		
	2 " / 2 "			ON	OFF		
	3 " / 1 "			ON	ON		
No Use. Must set:						OFF	
Table Upright							OFF ON

SWITCH 2

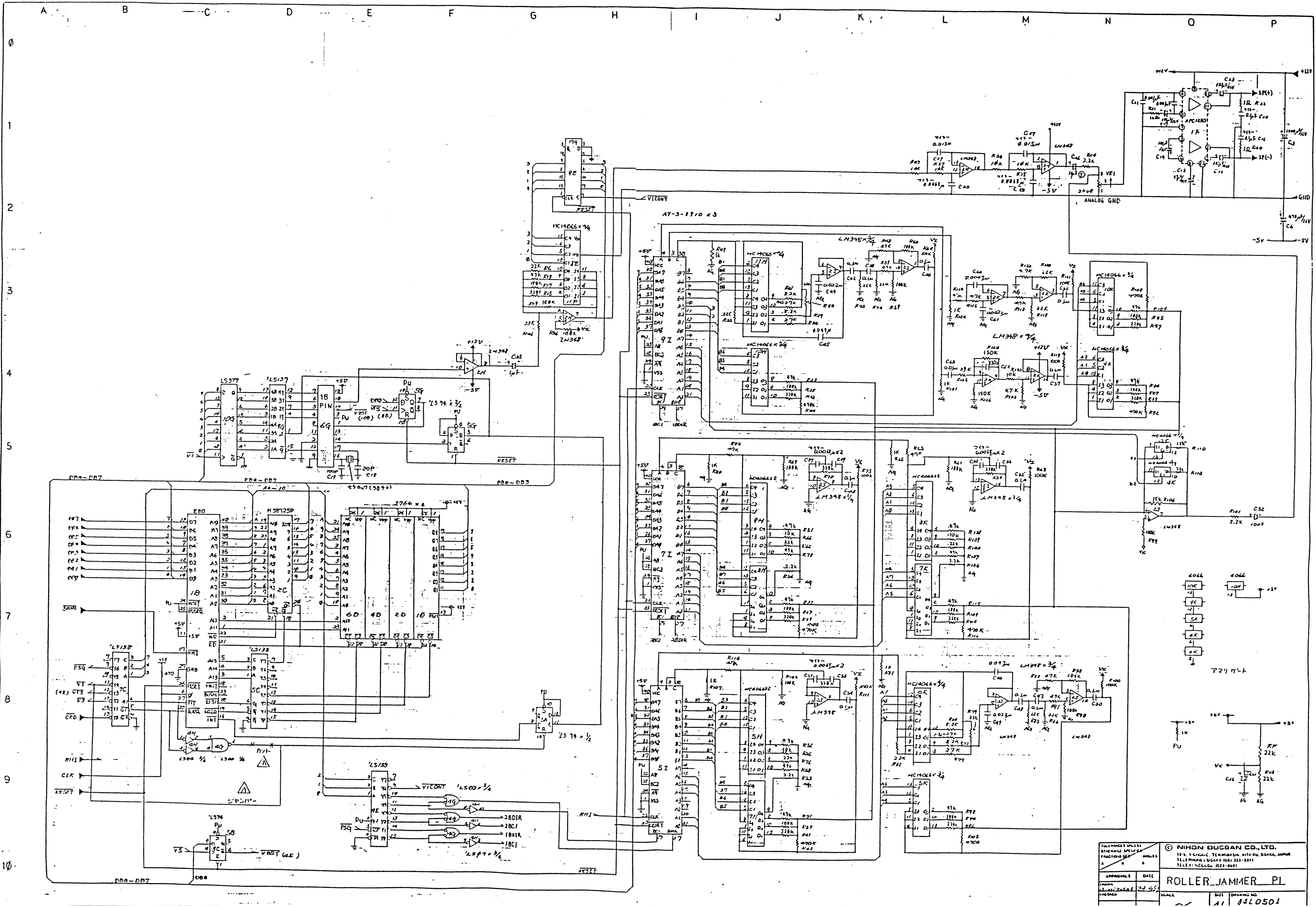
OPTION		1	2	3	4	5	6
Allotted Time	40 Sec.	OFF					
	50 "	ON					
Difficulty	Easy		OFF				
	Hard		ON				
Passed Men	20 person			OFF	OFF		
	30 "			OFF	ON		
	40 "			ON	OFF		
	50 "			ON	ON		
Bonus Points	100 pts.					OFF	
	200 "					ON	
Demo Sound							ON
No Demo Soun							OFF





* 8 Way Joystick
 * Horizontal Monitor

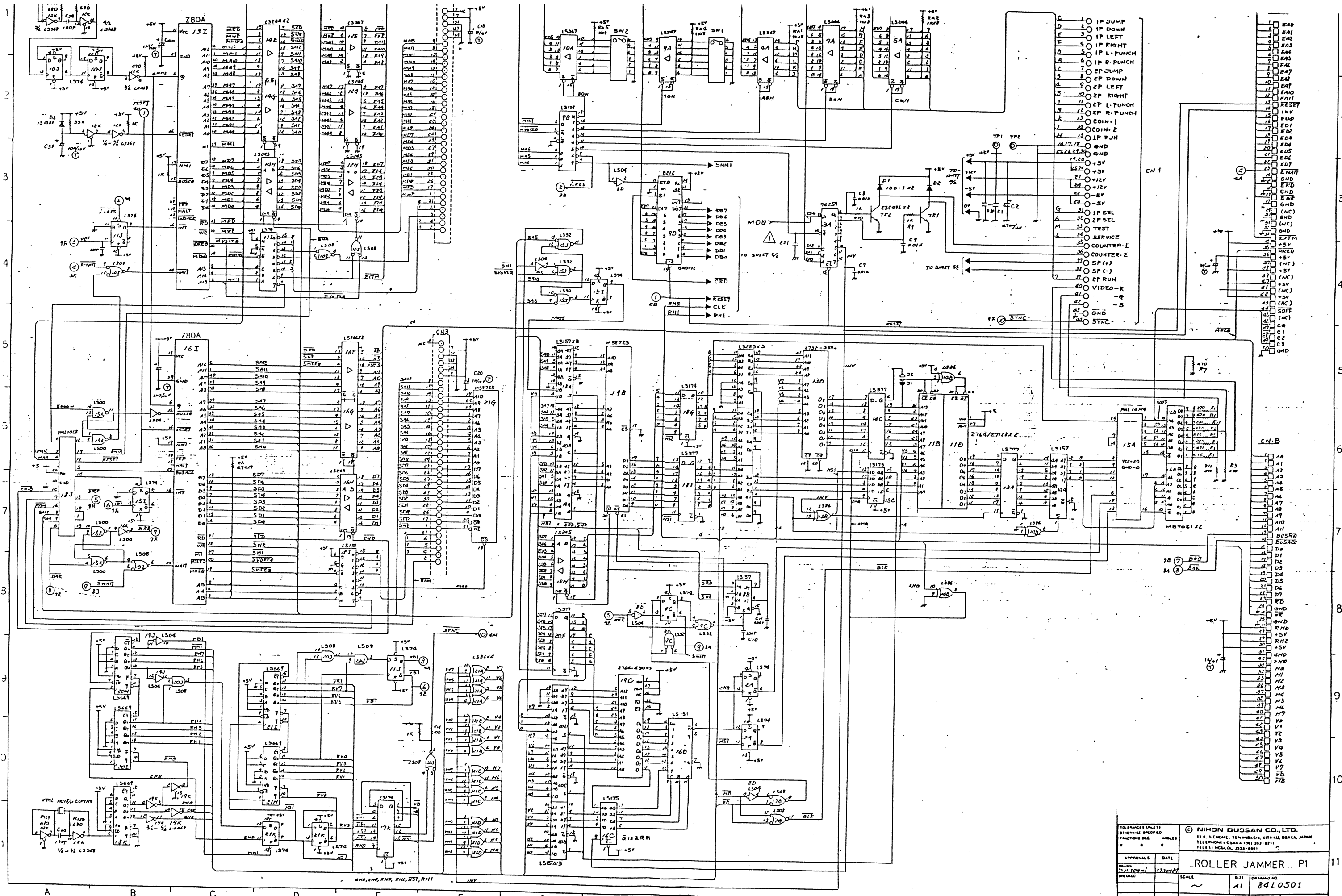
<small>TEOLERANCES UNLESS OTHERWISE SPECIFIED FRACTIONS DEC. ANGLES</small> * * *		© NIXON BUSHAN CO., LTD. 12-9, 1-CHOME, TENJINBASHI, KITA-KU, OSAKA, JAPAN TELEPHONE: OSAKA (06) 383-8211 TELEX: NCBCOL 2523-6891	
APPROVALS DRAWN CHECKED	DATE 12/78	ROLLER JAMMER	
SCALE ~	SIZE A3	DRAWING NO. 84N0501	SHEET 1/1
REV-A		1/2 0/18	SHEET 1/1



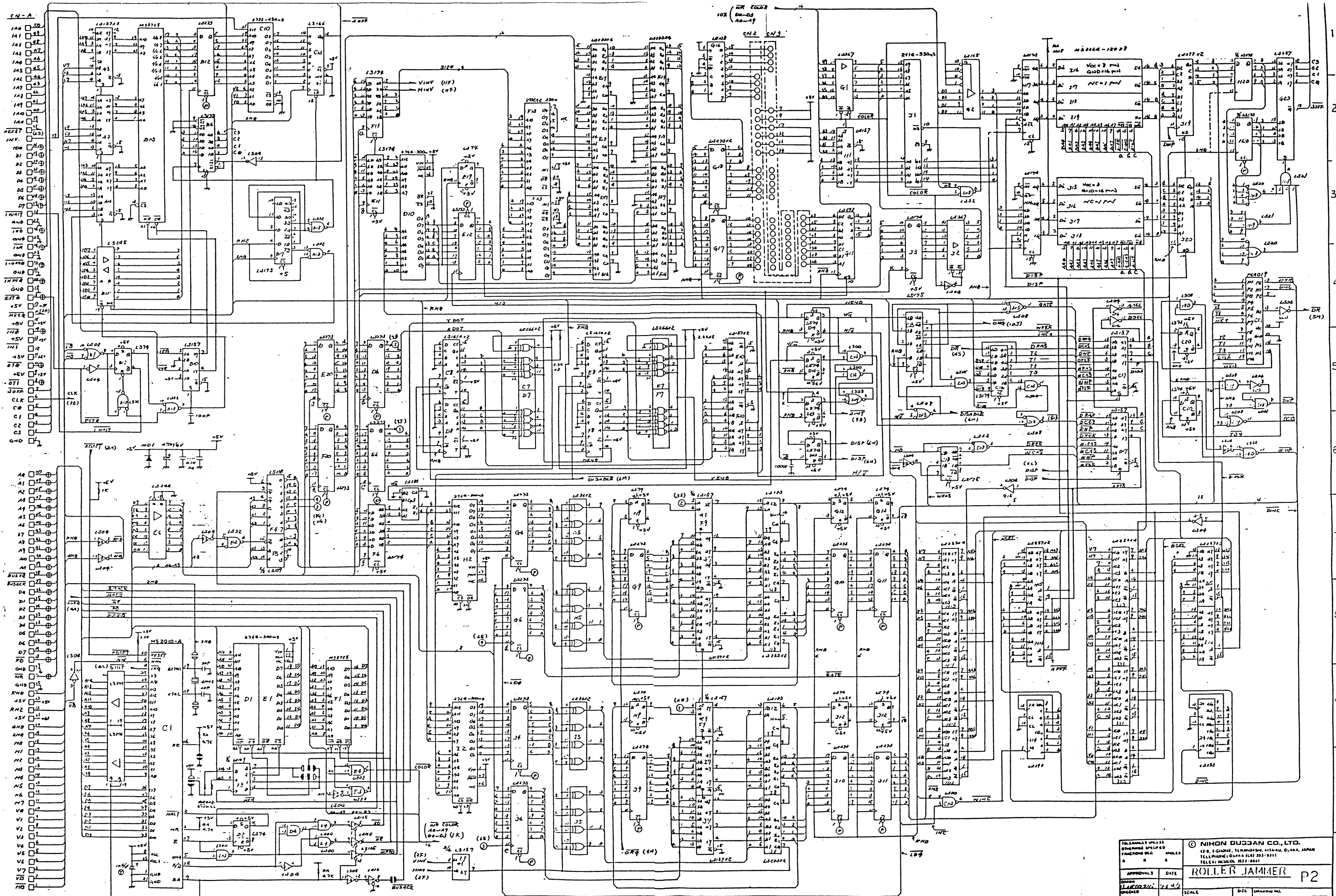
① NIKON ELECTRONIC CO., LTD.
 13-1, SAGAMI, TERAMACHI, NISHI-KU, OSAKA, JAPAN
 TELEPHONE: (06) 253-8311
 TELEFAX: (06) 253-8311

APPROVALS: _____ DATE: _____
 DRAWN: _____ CHECKED: _____
 DATE: _____

ROLLER JAMMER PL
 11 84L0501



TOLERANCES UNLESS OTHERWISE SPECIFIED		① NIKON DUBSUN CO., LTD.	
DIMENSIONS IN MILLIMETERS		12-1, 1-CHOME, TENJUBASHI, KITA-KU, OSAKA, JAPAN	
FRACTIONS DEC. ANGLES		TELEPHONE: 0544 1061 333-8711	
0 . 0		TELEX: NCCOLJL 2323-8881	
APPROVALS	DATE	ROLLER JAMMER PI	
DESIGNED	2/21/74	SCALE	SIZE
CHECKED		REV-1	84L0501
			70 457 1/2



1A0
1A1
1A2
1A3
1A4
1A5
1A6
1A7
1A8
1A9
1AA
1AB
1AC
1AD
1AE
1AF
1AG
1AH
1AI
1AJ
1AK
1AL
1AM
1AN
1AO
1AP
1AQ
1AR
1AS
1AT
1AU
1AV
1AW
1AX
1AY
1AZ
1BA
1BB
1BC
1BD
1BE
1BF
1BG
1BH
1BI
1BJ
1BK
1BL
1BM
1BN
1BO
1BP
1BQ
1BR
1BS
1BT
1BU
1BV
1BW
1BX
1BY
1BZ
1CA
1CB
1CC
1CD
1CE
1CF
1CG
1CH
1CI
1CJ
1CK
1CL
1CM
1CN
1CO
1CP
1CQ
1CR
1CS
1CT
1CU
1CV
1CW
1CX
1CY
1CZ
1DA
1DB
1DC
1DD
1DE
1DF
1DG
1DH
1DI
1DJ
1DK
1DL
1DM
1DN
1DO
1DP
1DQ
1DR
1DS
1DT
1DU
1DV
1DW
1DX
1DY
1DZ
1EA
1EB
1EC
1ED
1EE
1EF
1EG
1EH
1EI
1EJ
1EK
1EL
1EM
1EN
1EO
1EP
1EQ
1ER
1ES
1ET
1EU
1EV
1EW
1EX
1EY
1EZ
1FA
1FB
1FC
1FD
1FE
1FF
1FG
1FH
1FI
1FJ
1FK
1FL
1FM
1FN
1FO
1FP
1FQ
1FR
1FS
1FT
1FU
1FV
1FW
1FX
1FY
1FZ
1GA
1GB
1GC
1GD
1GE
1GF
1GG
1GH
1GI
1GJ
1GK
1GL
1GM
1GN
1GO
1GP
1GQ
1GR
1GS
1GT
1GU
1GV
1GW
1GX
1GY
1GZ
1HA
1HB
1HC
1HD
1HE
1HF
1HG
1HH
1HI
1HJ
1HK
1HL
1HM
1HN
1HO
1HP
1HQ
1HR
1HS
1HT
1HU
1HV
1HW
1HX
1HY
1HZ
1IA
1IB
1IC
1ID
1IE
1IF
1IG
1IH
1II
1IJ
1IK
1IL
1IM
1IN
1IO
1IP
1IQ
1IR
1IS
1IT
1IU
1IV
1IW
1IX
1IY
1IZ
1JA
1JB
1JC
1JD
1JE
1JF
1JG
1JH
1JI
1JJ
1JK
1JL
1JM
1JN
1JO
1JP
1JQ
1JR
1JS
1JT
1JU
1JV
1JW
1JX
1JY
1JZ
1KA
1KB
1KC
1KD
1KE
1KF
1KG
1KH
1KI
1KJ
1KK
1KL
1KM
1KN
1KO
1KP
1KQ
1KR
1KS
1KT
1KU
1KV
1KW
1KX
1KY
1KZ
1LA
1LB
1LC
1LD
1LE
1LF
1LG
1LH
1LI
1LJ
1LK
1LL
1LM
1LN
1LO
1LP
1LQ
1LR
1LS
1LT
1LU
1LV
1LW
1LX
1LY
1LZ
1MA
1MB
1MC
1MD
1ME
1MF
1MG
1MH
1MI
1MJ
1MK
1ML
1MM
1MN
1MO
1MP
1MQ
1MR
1MS
1MT
1MU
1MV
1MW
1MX
1MY
1MZ
1NA
1NB
1NC
1ND
1NE
1NF
1NG
1NH
1NI
1NJ
1NK
1NL
1NM
1NN
1NO
1NP
1NQ
1NR
1NS
1NT
1NU
1NV
1NW
1NX
1NY
1NZ
1OA
1OB
1OC
1OD
1OE
1OF
1OG
1OH
1OI
1OJ
1OK
1OL
1OM
1ON
1OO
1OP
1OQ
1OR
1OS
1OT
1OU
1OV
1OW
1OX
1OY
1OZ
1PA
1PB
1PC
1PD
1PE
1PF
1PG
1PH
1PI
1PJ
1PK
1PL
1PM
1PN
1PO
1PP
1PQ
1PR
1PS
1PT
1PU
1PV
1PW
1PX
1PY
1PZ
1QA
1QB
1QC
1QD
1QE
1QF
1QG
1QH
1QI
1QJ
1QK
1QL
1QM
1QN
1QO
1QP
1QQ
1QR
1QS
1QT
1QU
1QV
1QW
1QX
1QY
1QZ
1RA
1RB
1RC
1RD
1RE
1RF
1RG
1RH
1RI
1RJ
1RK
1RL
1RM
1RN
1RO
1RP
1RQ
1RR
1RS
1RT
1RU
1RV
1RW
1RX
1RY
1RZ
1SA
1SB
1SC
1SD
1SE
1SF
1SG
1SH
1SI
1SJ
1SK
1SL
1SM
1SN
1SO
1SP
1SQ
1SR
1SS
1ST
1SU
1SV
1SW
1SX
1SY
1SZ
1TA
1TB
1TC
1TD
1TE
1TF
1TG
1TH
1TI
1TJ
1TK
1TL
1TM
1TN
1TO
1TP
1TQ
1TR
1TS
1TT
1TU
1TV
1TW
1TX
1TY
1TZ
1UA
1UB
1UC
1UD
1UE
1UF
1UG
1UH
1UI
1UJ
1UK
1UL
1UM
1UN
1UO
1UP
1UQ
1UR
1US
1UT
1UU
1UV
1UW
1UX
1UY
1UZ
1VA
1VB
1VC
1VD
1VE
1VF
1VG
1VH
1VI
1VJ
1VK
1VL
1VM
1VN
1VO
1VP
1VQ
1VR
1VS
1VT
1VU
1VV
1VW
1VX
1VY
1VZ
1WA
1WB
1WC
1WD
1WE
1WF
1WG
1WH
1WI
1WJ
1WK
1WL
1WM
1WN
1WO
1WP
1WQ
1WR
1WS
1WT
1WU
1WV
1WW
1WX
1WY
1WZ
1XA
1XB
1XC
1XD
1XE
1XF
1XG
1XH
1XI
1XJ
1XK
1XL
1XM
1XN
1XO
1XP
1XQ
1XR
1XS
1XT
1XU
1XV
1XW
1XX
1XY
1XZ
1YA
1YB
1YC
1YD
1YE
1YF
1YG
1YH
1YI
1YJ
1YK
1YL
1YM
1YN
1YO
1YP
1YQ
1YR
1YS
1YT
1YU
1YV
1YW
1YX
1YY
1YZ
1ZA
1ZB
1ZC
1ZD
1ZE
1ZF
1ZG
1ZH
1ZI
1ZJ
1ZK
1ZL
1ZM
1ZN
1ZO
1ZP
1ZQ
1ZR
1ZS
1ZT
1ZU
1ZV
1ZW
1ZX
1ZY
1ZZ