

Fisiky TOMY

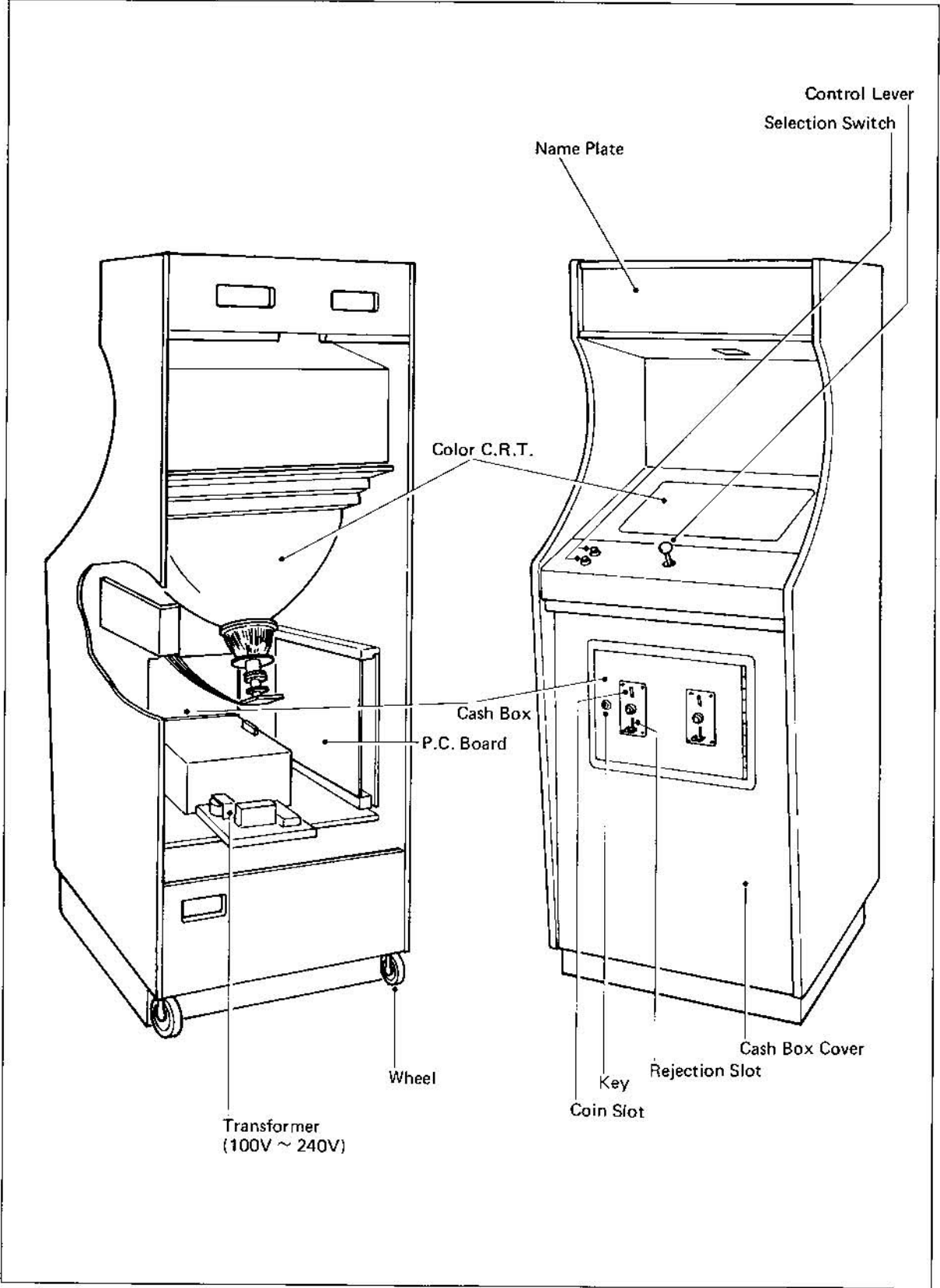
TM

SERVICE INSTRUCTION



Nichibutsu

1 EACH PARTS NAME (UPRIGHT MODEL)



2 SPECIFICATIONS

| | |
|------------------|--|
| POWER SOURCE | : 100 ~ 240V (Variable) |
| WATT CONSUMPTION | : 110W |
| COINAGE | : 1 coin per play, 2 coins per play, 3 coins per play, 4 coins per play * OPTION (Selector 2) |
| | : 1 coin per play, 1 coin per 2 plays, 1 coin per 3 plays |
| PLAYER | : 1 or 2 players |
| GAME LIMIT | : 1 Tank ~ 9 Tanks |
| KEYS | : Coin Door key 1 set. Rear Door key 1 set. Cash box key 1 set |
| FUSE RATINGS | : 1 at 5A, 2 at 3A |

| | | Width | Depth | Height | C.R.T |
|---------------|----------------|---------|---------|--|---------|
| UPRIGHT MODEL | BODY | 600 m/m | 690 m/m | 1,625 m/m | 20 inch |
| | CASH BOX | 395 m/m | 300 m/m | 285 m/m | |
| TABLE MODEL | BODY with LEGS | 890 m/m | 560 m/m | 685 m/m ~ 825 m/m (5 position adjustable) | 20 inch |
| | CASH BOX | 150 m/m | 285 m/m | 125 m/m | |

- These instructions and specifications may be changed without prior notification.
- If this machine is reconstructed without our permission, we can not take responsibility for the machine.

3 NOTES

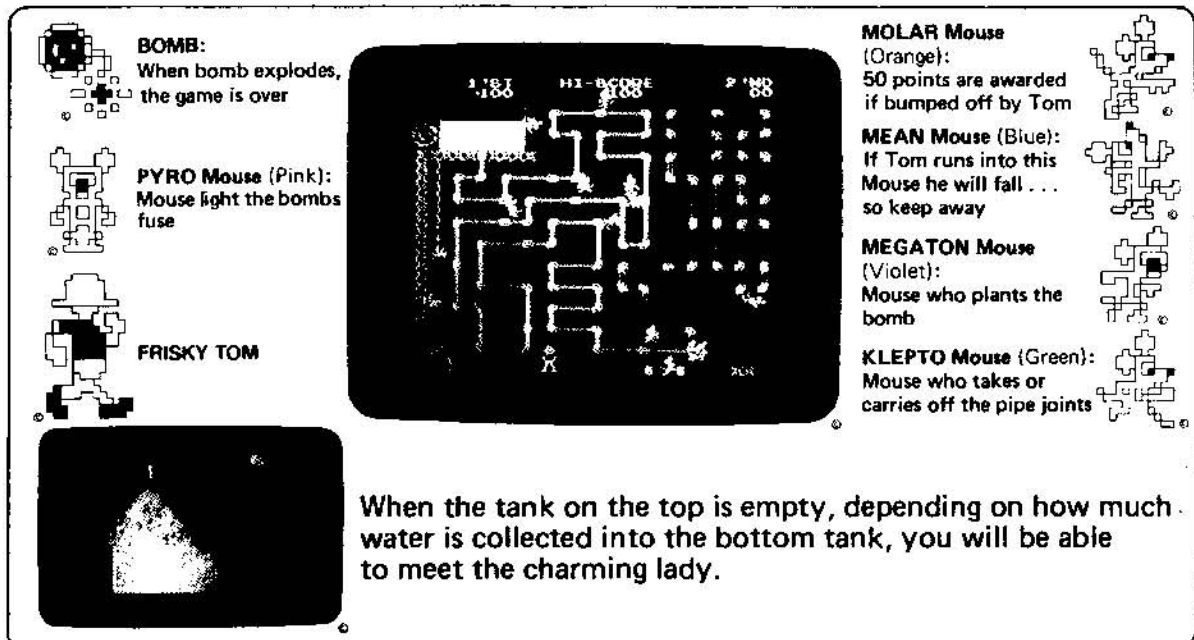
- The FRISKY TOM has a T.V. monitor and care must be taken in moving this fragile machine.
- To prevent the cabinet over-heating do not place the FRISKY TOM directly in the sun or near heating.
- For a short time after connecting to power, the picture may be temporarily distorted.
- Do not check the solid state module with a TESTER even if you find out there is something wrong with it. The IC may be destroyed by the voltage of a TESTER.
- Disconnect the power supply before inserting or removing the P.C. board.

FRISKY TOM

4

HOW TO PLAY

- This game is played on the basis of filling the bottom right tank with the water from the top left tank.
- Depending upon how much water is flowing into the bottom tank, the possibility of seeing the charming lady increases.



BOMB:
When bomb explodes, the game is over

PYRO Mouse (Pink):
Mouse light the bombs fuse

FRISKY TOM

MOLAR Mouse (Orange):
50 points are awarded if bumped off by Tom

MEAN Mouse (Blue):
If Tom runs into this Mouse he will fall . . . so keep away

MEGATON Mouse (Violet):
Mouse who plants the bomb

KLEPTO Mouse (Green):
Mouse who takes or carries off the pipe joints

When the tank on the top is empty, depending on how much water is collected into the bottom tank, you will be able to meet the charming lady.

- Control Tom with the joystick and pick up the fallen pipe joints and repair the plumbing.
 - When Tom bumps off the 'Molar Mouse' you are awarded 50 points.
 - When Tom runs into the 'Mean Mouse' he will fall, so keep away.
 - Put out the bombs fuse for bonus points. When the bomb explodes, the game is over.
 - When you reach the certain points you will be awarded an extra tank.
 - Depending on the amount of water collected into the bottom tank, your points are added to your score.
- When no water is in the tank, the game is over.

5 OPERATER ADJUSTMENTS

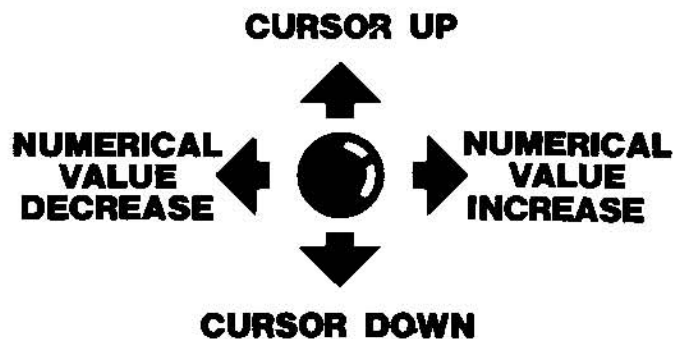
You will see the following Adjustment Table on the screen when the EDIT Switch is turned on.

| TYPE | TABLE(UP LIGHT) |
|-------------------|--------------------------|
| COIN SEL.1 | 1 COIN 1 PLAY |
| COIN SEL.2 | 1 COIN 1 PLAY |
| TANK | 1 ← CURSOR |
| BONUS | 10,000PTS |
| COIN SEL.1 | 00 |
| COIN SEL.2 | 00 |

※These play a part of Coin Meter. Disconnect the Battery Cord to reset.

■ Move Joystick Up and Down to choose item.

■ Move Joystick Right or Left to choose Numerical Value.



■ To choose Table or Up-right, set Cursor Table or Up-right and move the Joystick Right or Left.

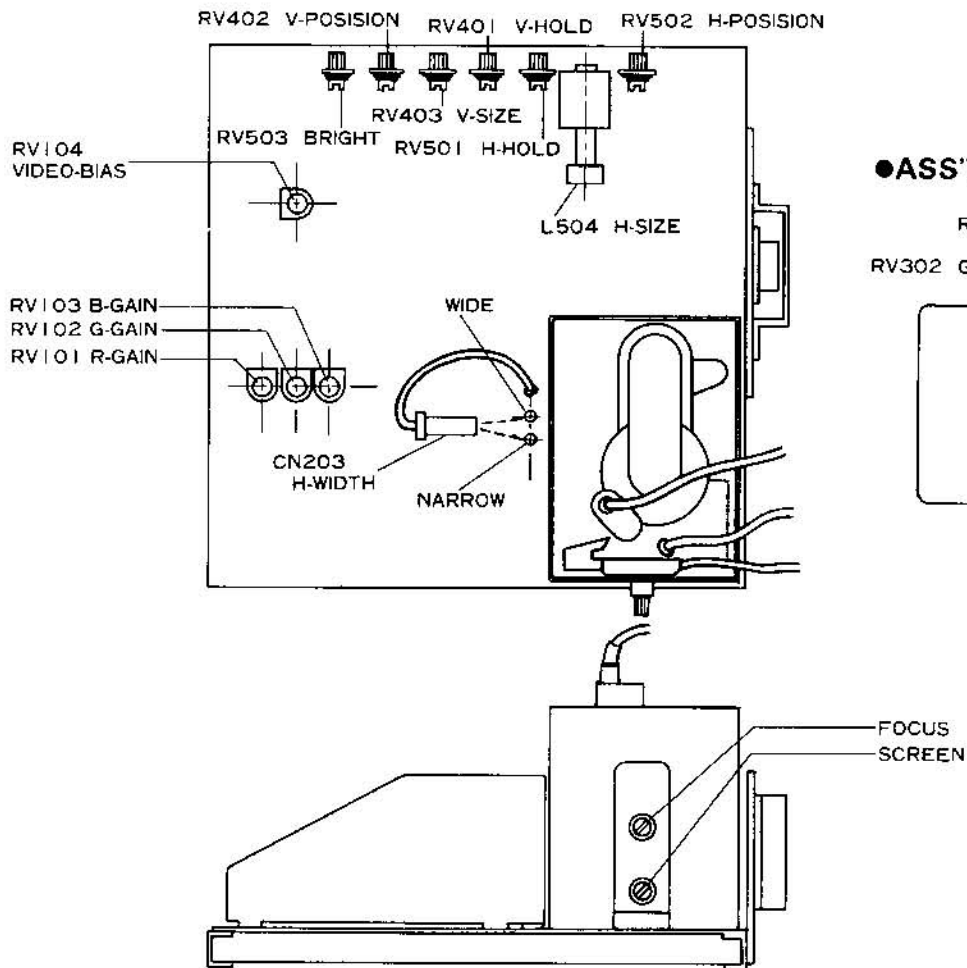
FRISKY TOM

6

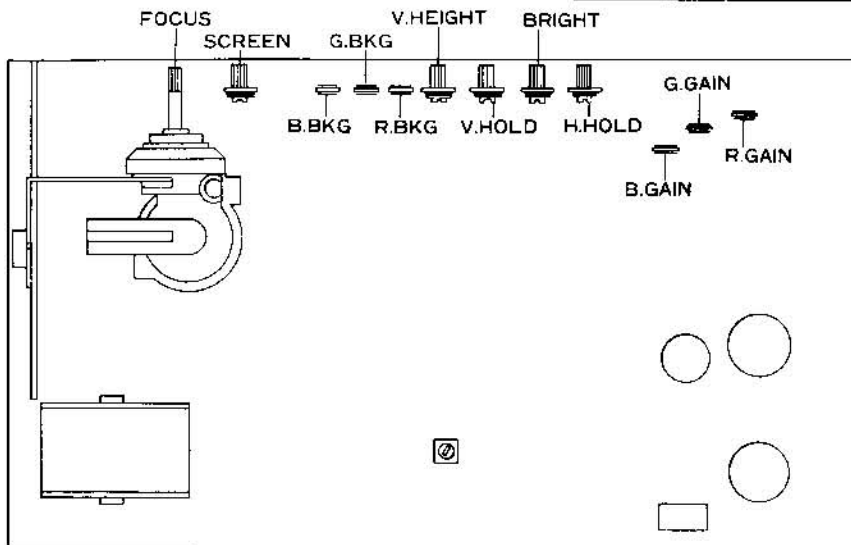
MONITOR ADJUSTMENTS

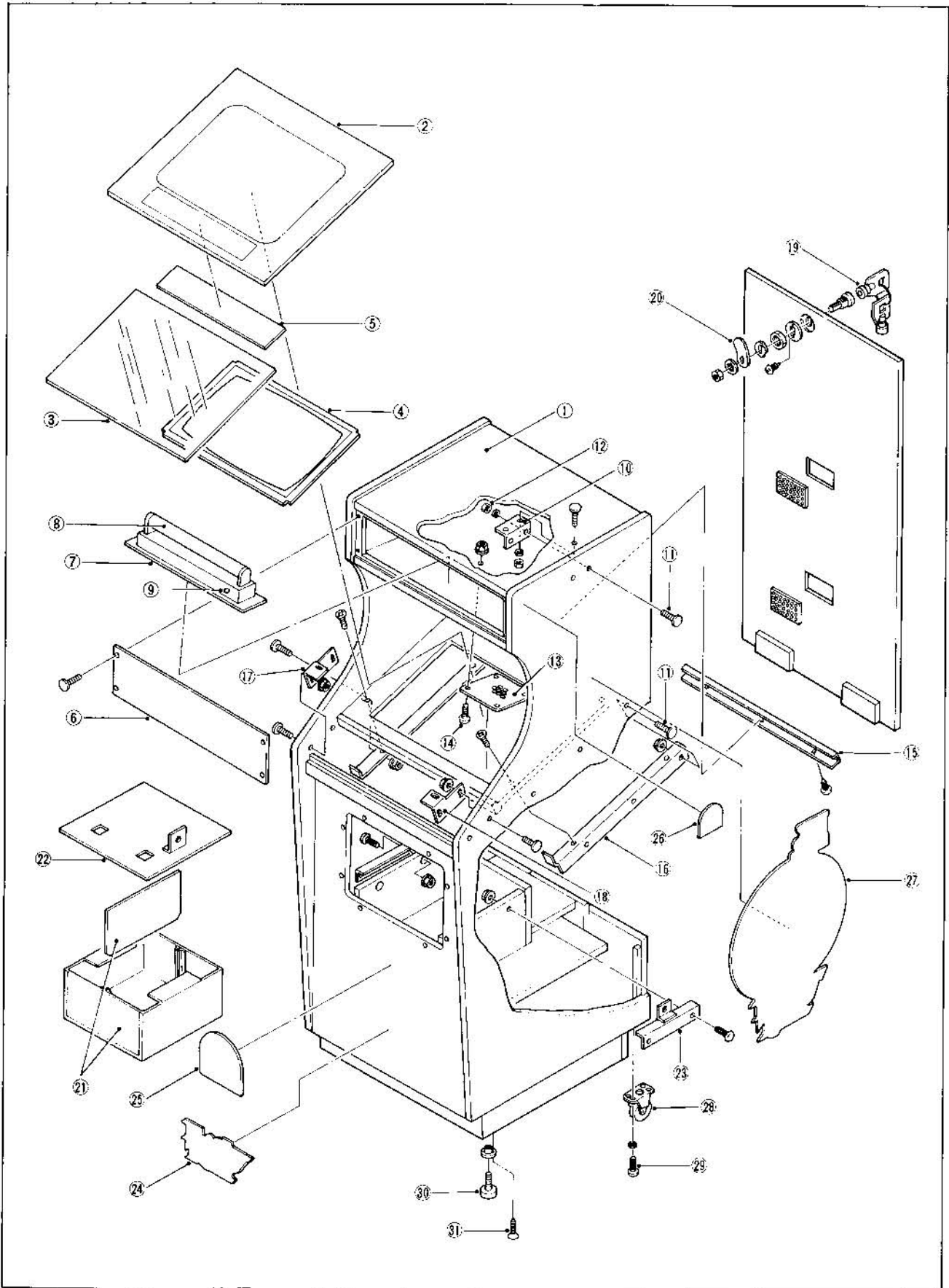
● ASS'Y MAIN CHASSIS - B

MITSUBISHI COLOR MONITOR



TOEI COLOR MONITOR



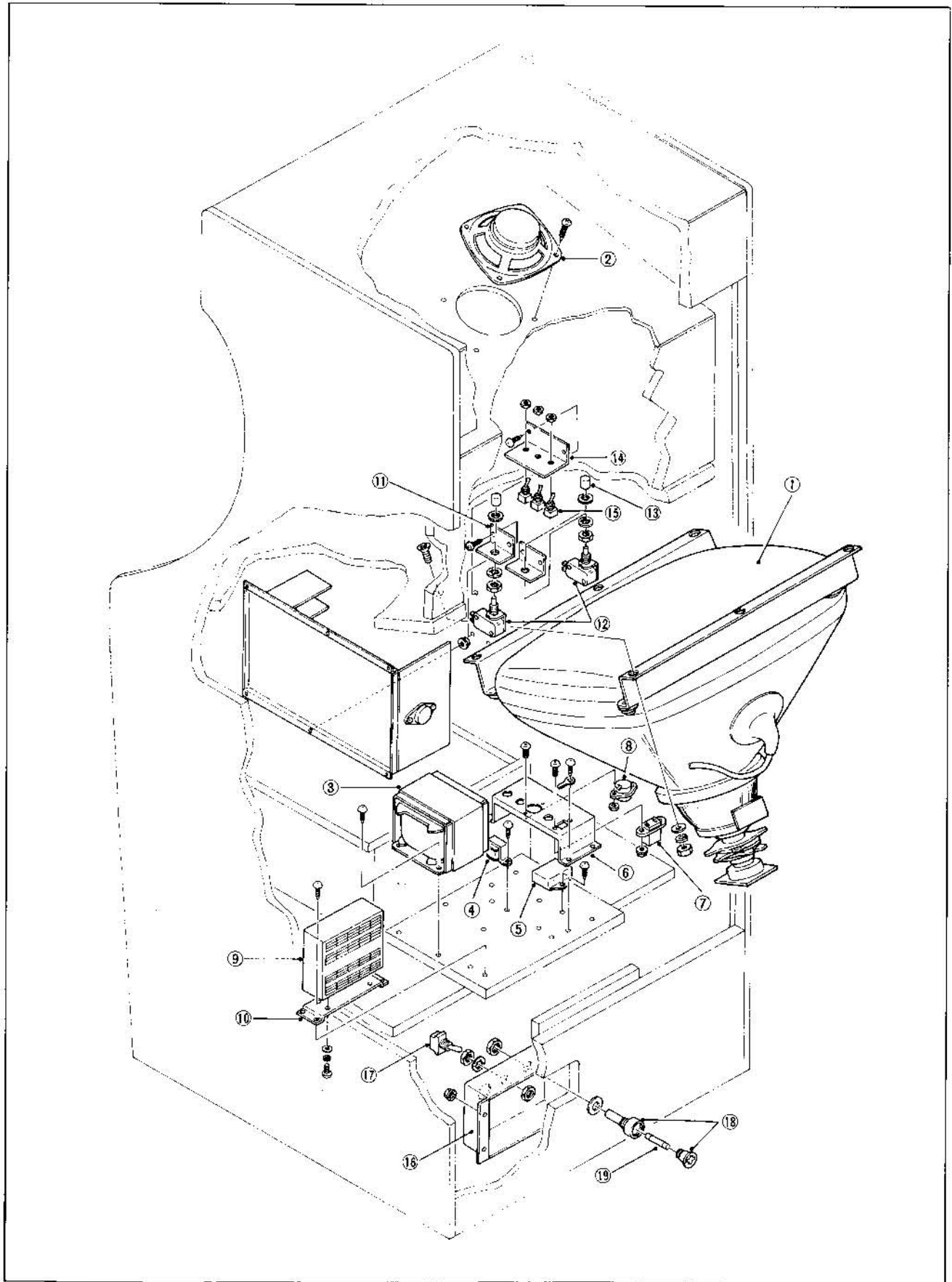


FRISKY TOM

7

EXTERIOR ASSEMBLY

| NO. | PARTS NO. | DESCRIPTION | |
|-----|-----------|--------------------------------|--|
| 1 | MSA8001 | Cabinet Assy | |
| 2 | FTA1001 | Front Panel | |
| 3 | CCA7010 | Smoked Plate | |
| 4 | CCA7009 | TV. Mask | |
| 5 | FTA1002 | Playing Information Card | |
| 6 | FTA1003 | Illumination Panel | |
| 7 | CCA7013 | Fluorescent Light Utensil | |
| 8 | CCA7014 | Fluorescent Light | |
| 9 | CCA7015 | Glow Bulb | |
| 10 | MSA8016 | Bracket B | |
| 11 | MSA8011 | Bolt | |
| 12 | MSA8012 | Nut | |
| 13 | TA50023 | Speaker Cover | |
| 14 | PC50022 | Ornament Speaker Bolt | |
| 15 | FTA1004 | Bracket | |
| 16 | CCA7055 | Bracket C.R.T. Support Bracket | |
| 17 | FTA1005 | Bracket L | |
| 18 | FTA1006 | Bracket R | |
| 19 | CC70008 | Key Set | |
| 20 | MSA8015 | Key Rock Plate | |
| 21 | FTA1007 | Cash Box | |
| 22 | FTA1008 | Cash Box Cover | |
| 23 | FTA1009 | Cash Box Guide | |
| 24 | FTA1010 | Name Sticker | |
| 25 | FTA1011 | Sticker | |
| 26 | FTA1012 | Sticker | |
| 27 | FTA1013 | Character Sticker | |
| 28 | CCA7017 | Caster | |
| 29 | CCA7018 | Bolt | |
| 30 | CCA7020 | Adjuster | |
| 31 | CCA7019 | Screw Bolt | |

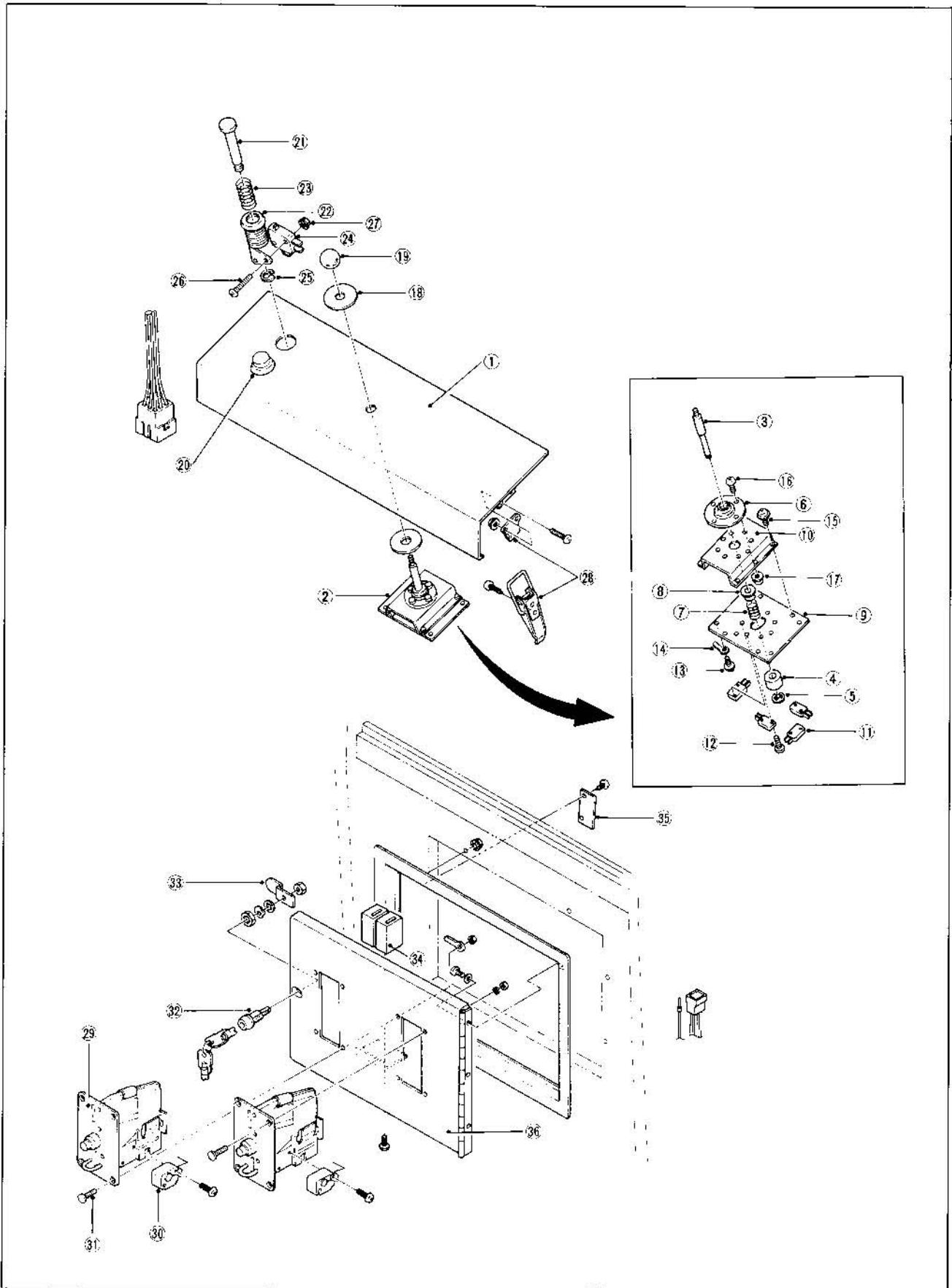


FRISKY TOM

8

VIDEO ASSEMBLY

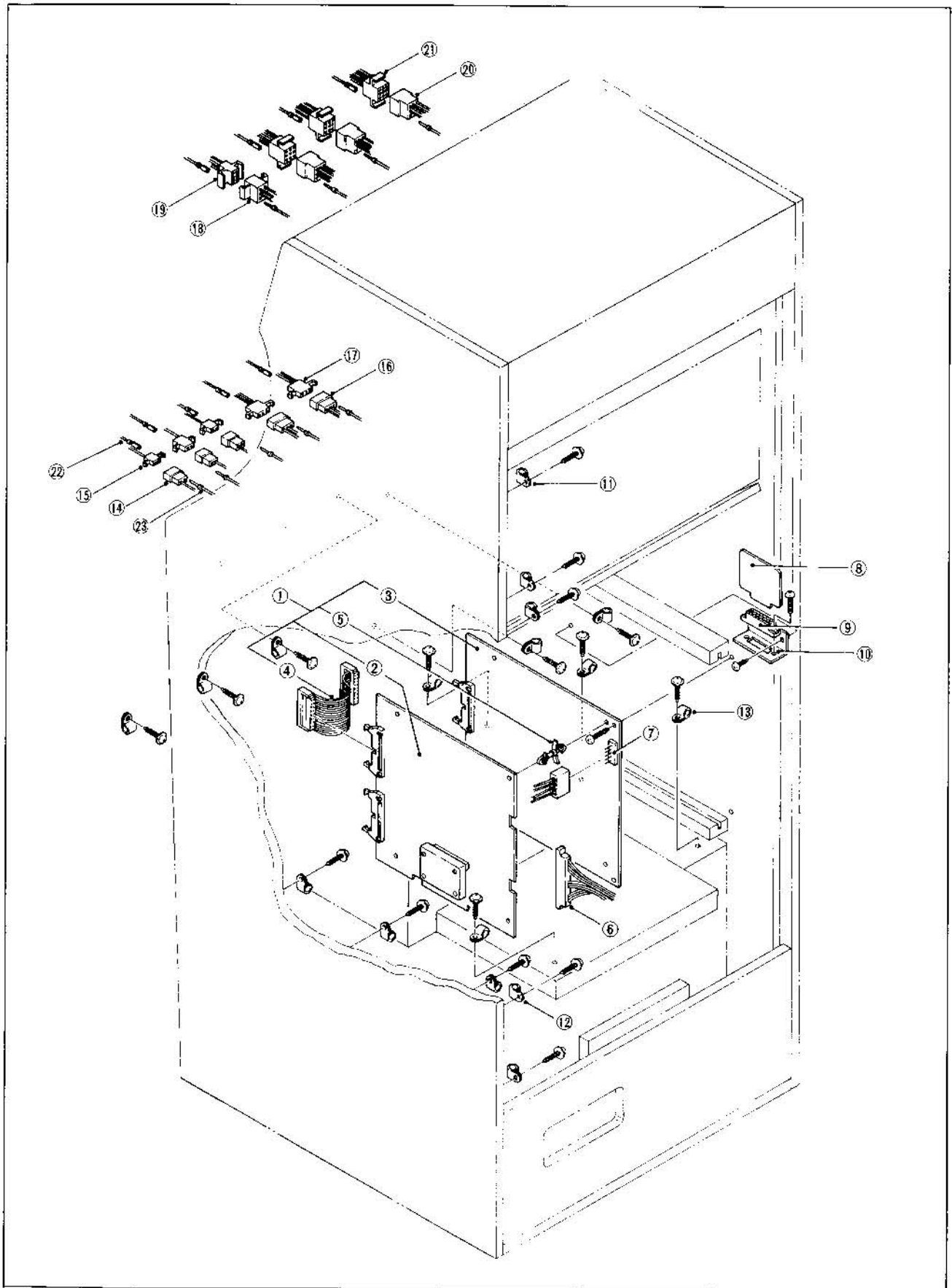
| NO. | PARTS NO. | DESCRIPTION |
|-----|-----------|----------------------|
| 1 | CCA7044 | C.R.T. Monitor Assy |
| 2 | CCA7049 | Speaker |
| 3 | AC20026 | Transformer |
| 4 | FTA1014 | Transformer (6.3V) |
| 5 | TA50036 | Noise Filter |
| 6 | FTA1015 | Bracket |
| 7 | BP10015 | Service Socket |
| 8 | FTA1016 | Voltage Change Plug |
| 9 | MS80018 | Power Supply |
| 10 | MS80019 | Bracket |
| 11 | CC70019 | Switch Bracket |
| 12 | TA50026 | Switch |
| 13 | BP50028A | SW, Button |
| 14 | FTA1017 | Bracket |
| 15 | FTA1018 | Switch |
| 16 | CCA7053 | Main Switch Box |
| 17 | BP10041 | Power Switch |
| 18 | PC50051 | Fuse Holder (FH-032) |
| 19 | PC50052 | Fuse (5A) |



FRISKY TOM

9**CONTROL PLATE ASSEMBLY**

| NO. | PARTS NO. | DESCRIPTION |
|-----|-----------|---------------------------------|
| 1 | FTA1019 | Control Plate |
| 2 | FTA1020 | Control Lever Assy |
| 3 | MSA8026 | Control Lever |
| 4 | MS80027 | Control Lever Ring |
| 5 | MS80028 | E Ring |
| 6 | MS80029 | Control Base |
| 7 | MS80030 | Spring |
| 8 | MS80041 | Ring |
| 9 | MS80032 | Control Mounting Bracket |
| 10 | MS80033 | Control Base Bracket |
| 11 | MB20025 | Micro Switch |
| 12 | CC70046 | Bolt (3M x 20M) |
| 13 | MS80034 | Bolt (4M x 10M) |
| 14 | MS80035 | Earth Rag (4M) |
| 15 | MS80036 | Bolt (3M x 8M) |
| 16 | MS80037 | Bolt (4M) |
| 17 | MS80038 | Nut (4M) |
| 18 | CC70050 | Cover |
| 19 | CCA7026 | Control Knob |
| 20 | CC70025 | SW, Assy |
| 21 | CC70051 | Selection or Firing Button |
| 22 | CC70052 | Selection or Firing Button Base |
| 23 | CC70053 | Spring |
| 24 | CC70054 | Micro Switch |
| 25 | CC70055 | E Ring |
| 26 | CC70046 | Bolt (3M x 20M) |
| 27 | CC70056 | Nut (3M) |
| 28 | FTA1021 | Hinge |
| 29 | AL20019 | Coin Selector |
| 30 | TA50010 | Micro SW |
| 31 | CC70060 | Bolt |
| 32 | CC70008 | Key Set |
| 33 | FTA1022 | Key Lock Plate |
| 34 | TA50035 | Counter |
| 35 | FTA1023 | Key Plate |
| 36 | FTA1027 | Cash Box Cover |



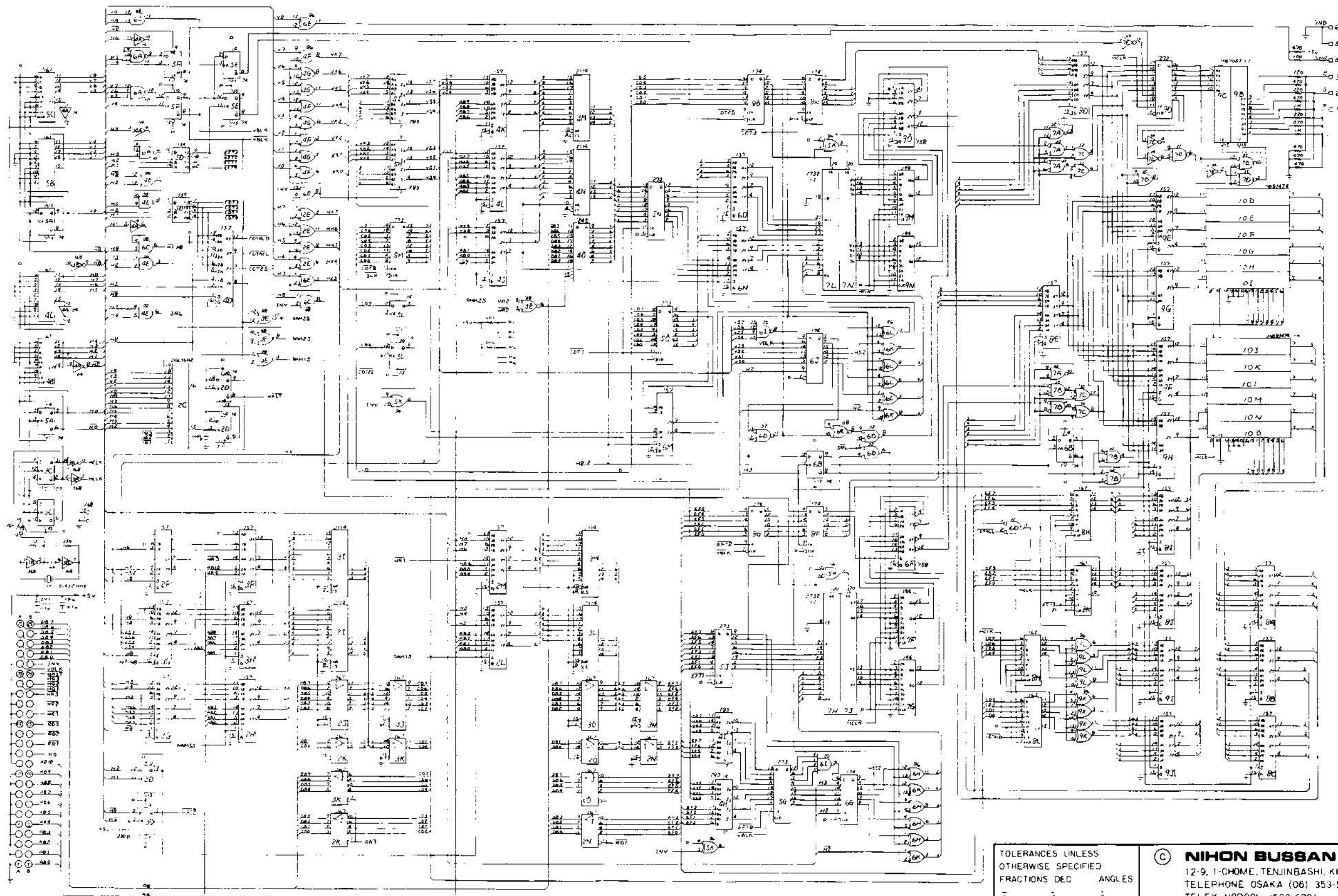
FRISKY TOM

10

PRINTED BOARD ASSEMBLY

| NO. | PARTS NO. | DESCRIPTION | |
|-----|-----------|------------------------|--|
| 1 | FTA1024 | FT P.C. Board Assy | |
| 2 | FTA1025 | FT-1 P.C. Board | |
| 3 | FTA1026 | FT-2 P.C. Board | |
| 4 | MB20032 | Flat Cable (50P) | |
| 5 | BP10047 | Nylon Push | |
| 6 | PC50035 | KEL Connector (44P) | |
| 7 | CC70037 | Video Signal Connector | |
| 8 | CC70039 | CC-5 P.C. Board | |
| 9 | BP10042 | Connector (10P) | |
| 10 | BP10043 | Connector Bracket | |
| 11 | PC50029 | Nylon Clip (KD-2N) | |
| 12 | PC50030 | Nylon Clip (KD-4N) | |
| 13 | PC50031 | Nylon Clip (KD-7N) | |
| 14 | TA50037 | Socket Housing (2P) | |
| 15 | TA50038 | Socket Housing (2R) | |
| 16 | PC50045 | Socket Housing (3P) | |
| 17 | PC50046 | Socket Housing (3R) | |
| 18 | PC50041 | Socket Housing (6P) | |
| 19 | PC50042 | Socket Housing (6R) | |
| 20 | MB20045 | Socket Housing (9P) | |
| 21 | MB20046 | Socket Housing (9R) | |
| 22 | TA50039 | Pin | |
| 23 | TA50040 | Pin | |

**SCHEMATICS
WIRING FIGURES**

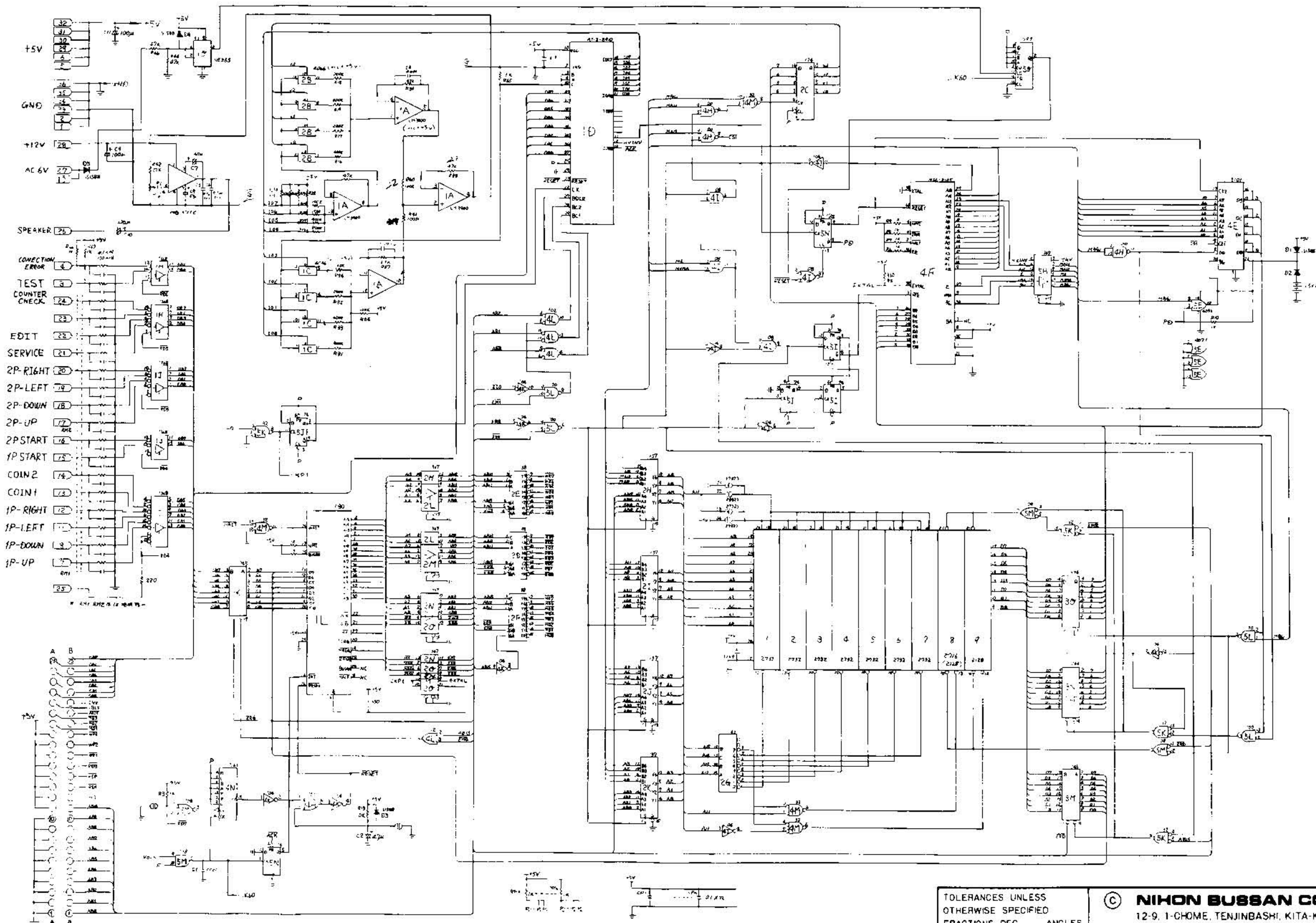


TOLERANCES UNLESS OTHERWISE SPECIFIED
 FRACTIONS DEC ANGLES

© **NIHON BUSSAN CO., LTD.**
 12-9, 1-CHOME, TENJINBASHI, KITA-KU, OSAKA, JAPAN
 TELEPHONE OSAKA (06) 353-5211
 TELEX NBCOOL J523-6891

| | |
|------------------------|-----------|
| APPROVALS | DATE |
| DRAWN S. SAKURAI | 24/3/1980 |
| CHECKED H. KITABATA | 10/6/1980 |

| | | | | |
|---|--|-------|------|----------------|
| FRISKY TOM (FT-1B) SCHEMATIC | | SCALE | SIZE | DRAWING NO |
| | | | | B2002-A |
| | | | | SHEET |

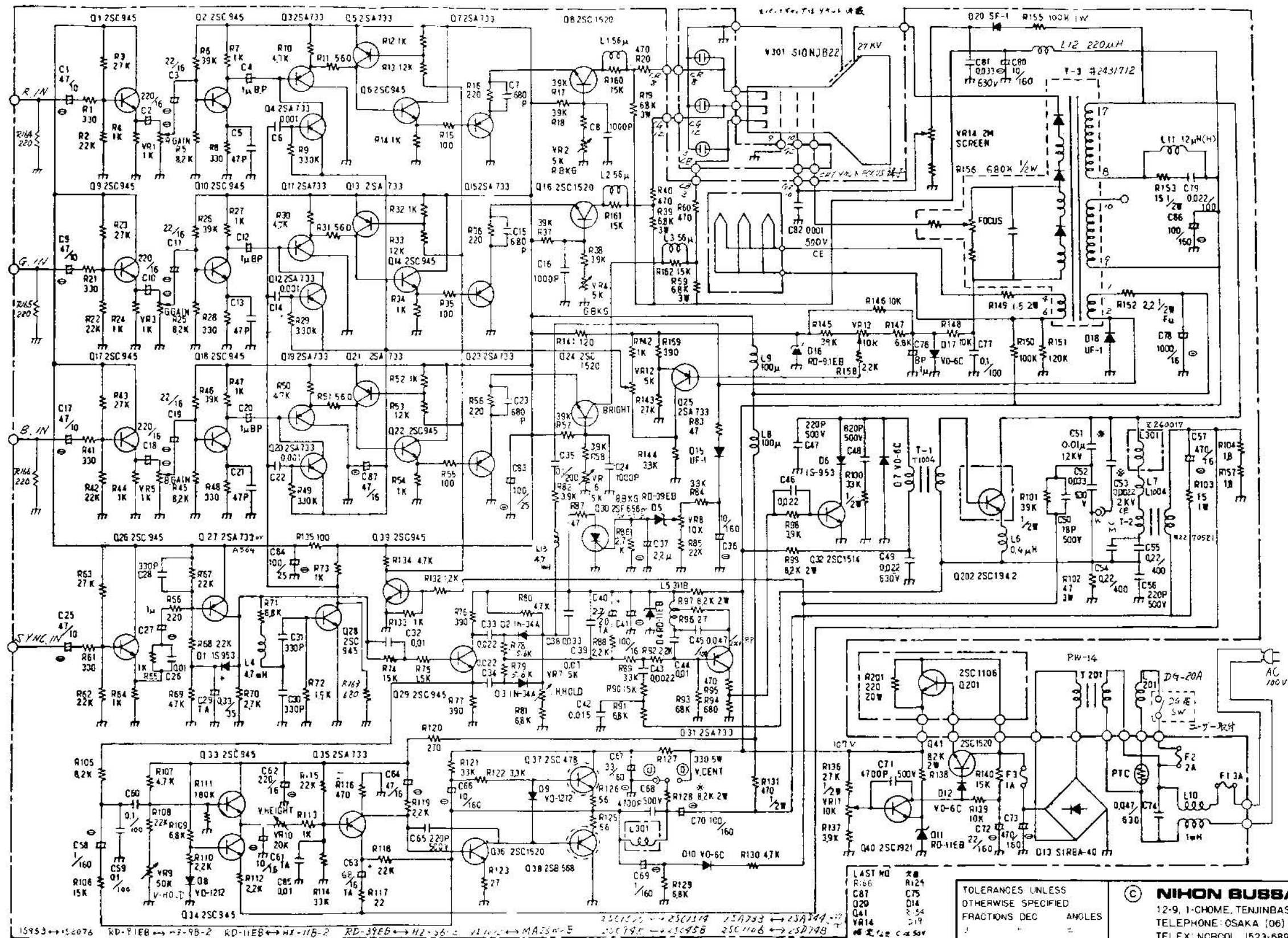


TOLERANCES UNLESS OTHERWISE SPECIFIED
 FRACTIONS DEC ANGLES
 ± = °

© **NIHON BUSSAN CO., LTD.**
 12-9, 1-CHOME, TENJINBASHI, KITA-KU, OSAKA, JAPAN
 TELEPHONE: OSAKA (06) 353-5211
 TELEX: NCBQOL J523-6891

| | |
|-----------------------|-----------|
| APPROVALS | DATE |
| DRAWN S.SAKURAI | 24/3/1980 |
| CHECKED H.KITABATA | 10/6/1980 |

| | | | | |
|-------------------------|--|-------|------|-------------|
| FRISKY TOM FT-2B | | SCALE | SIZE | DRAWING NO. |
| | | | A1 | B2001-A |
| SHEET | | | | |



15953 → 152076 RD-71EB → 7-9B-2 RD-11EB → 4E-11B-2 RD-39EB → H2-26 → V1112 → MA25K-E
 25C1275 → 25C1174 25A733 → 25A744
 25C795 → 25C458 25C1106 → 25D798

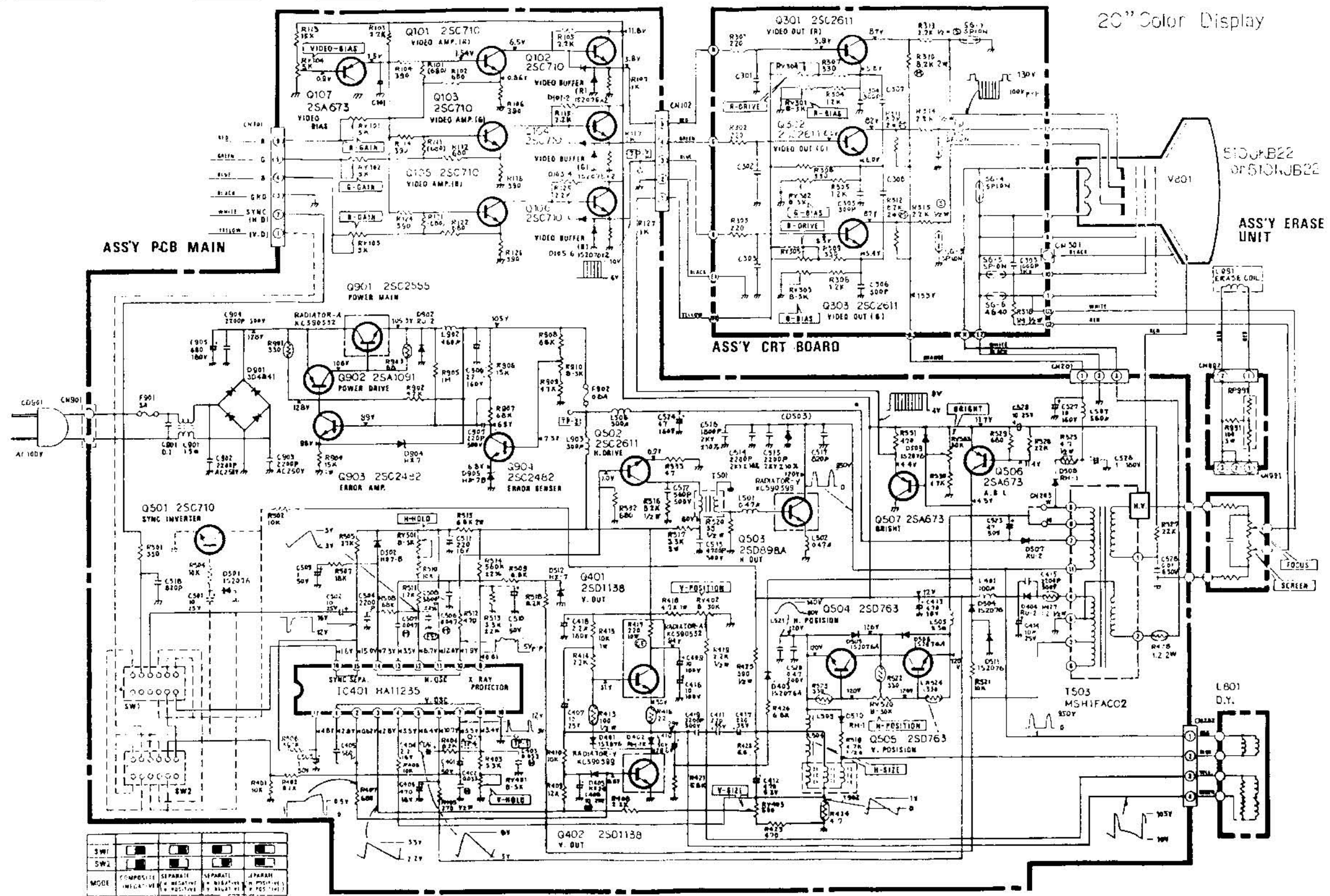
| | |
|---------|------|
| LAST NO | 28 |
| R166 | R124 |
| C87 | C75 |
| Q20 | Q14 |
| Q41 | 2-54 |
| VR14 | 219 |
| | 219 |

TOLERANCES UNLESS OTHERWISE SPECIFIED
 FRACTIONS DEC ANGLES
 ° ' "

© **NIHON BUSSAN CO., LTD.**
 12-9, 1-CHOME, TENJINBASHI, KITA-KU, OSAKA, JAPAN
 TELEPHONE: OSAKA (06) 353-5211
 TELEX: NCB00L J523-6891

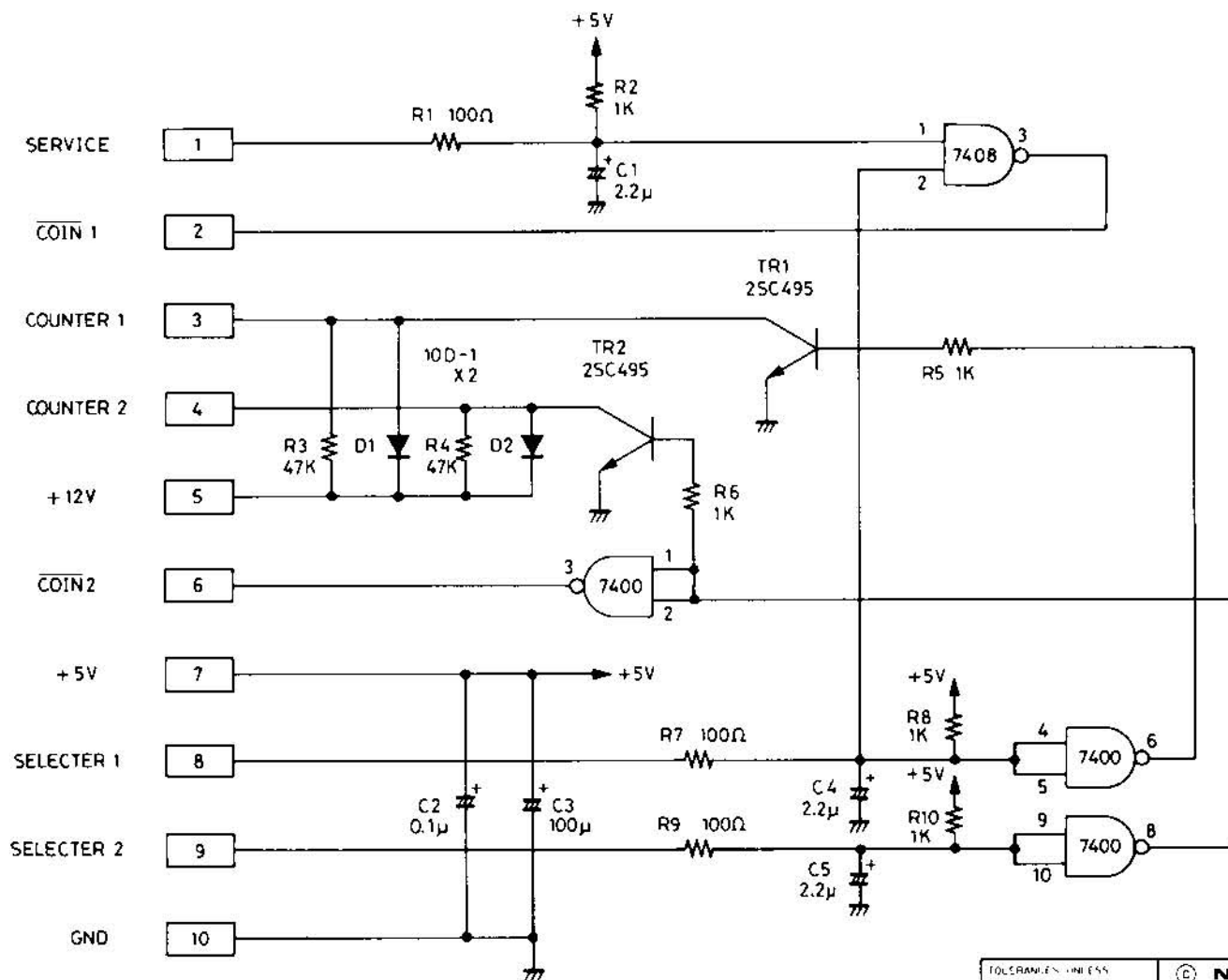
| | |
|--------------------|---------|
| APPROVALS | DATE |
| DRAWN MIKAMI | 17/1/80 |
| CHECKED H.KITABATA | 19/4/80 |

| | | | | |
|---------------------------------|--|-------|------|-------------|
| TOEI COLOR MONITOR CM-A20 HC | | SCALE | SIZE | DRAWING NO. |
| | | | | C-487 |
| | | | | SHEET |



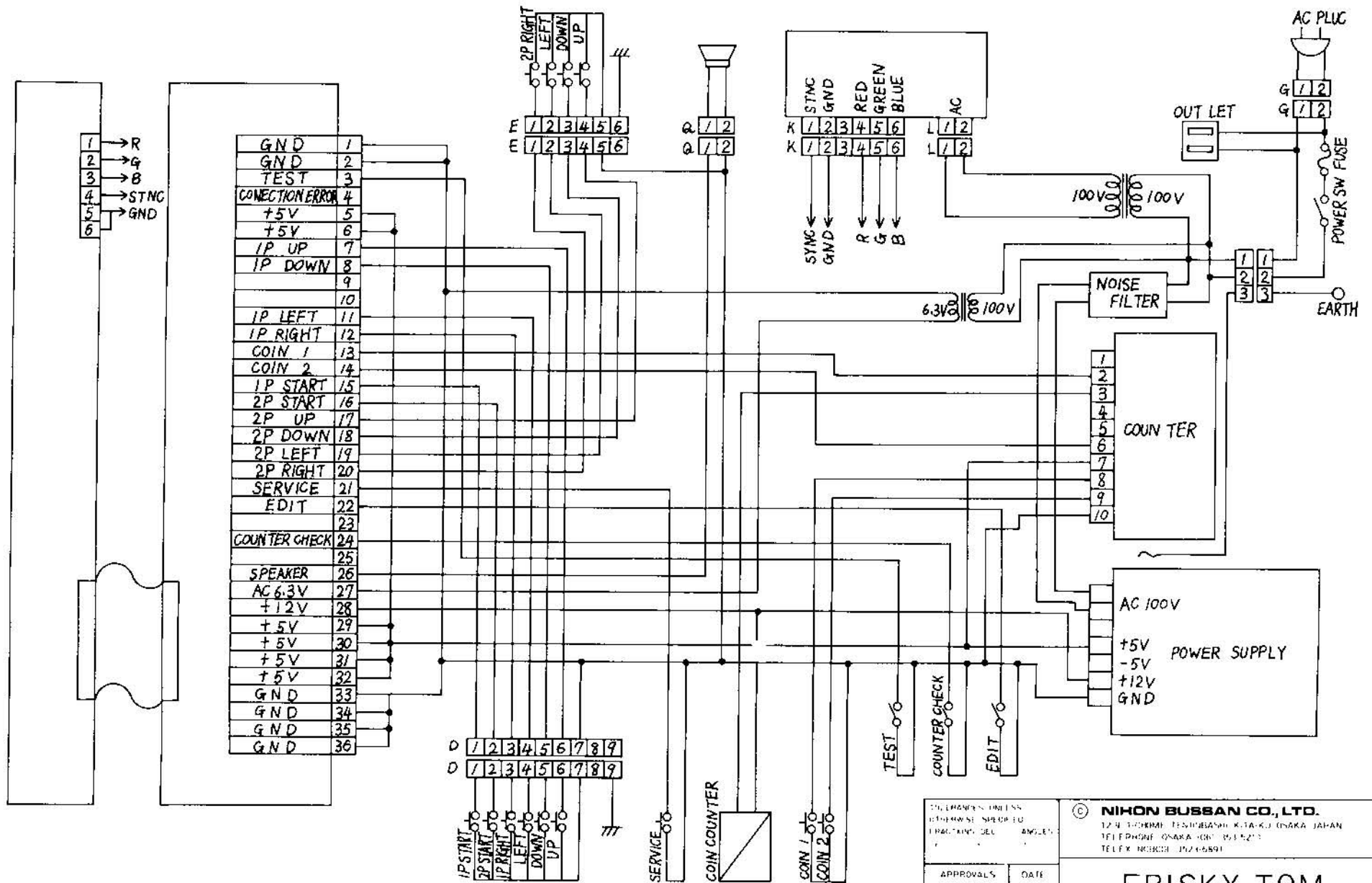
| | | | | |
|------|--------------------------|--------------------------|--------------------------|--------------------------|
| SW1 | <input type="checkbox"/> | <input type="checkbox"/> | <input type="checkbox"/> | <input type="checkbox"/> |
| SW2 | <input type="checkbox"/> | <input type="checkbox"/> | <input type="checkbox"/> | <input type="checkbox"/> |
| MODE | COMPOSITE | SEPARATE | SEPARATE | PARALLEL |
| | (NEGATIVE) | (POSITIVE) | (NEGATIVE) | (POSITIVE) |

| | | | | | |
|---------------------------------------|---------|--|------|------------|--|
| TOLERANCES UNLESS OTHERWISE SPECIFIED | | FRACTIONS DEC. | | ANGLES | |
| - | | - | | ± | |
| APPROVALS | DATE | © NIKON BUSSAN CO., LTD. 12-9, 1-CHOME, TENJINBASHI, KITA-KU, OSAKA, JAPAN TELEPHONE: OSAKA (06) 353-5211 TELEX: NCB00L J523-6891 | | | |
| DRAWN MIKAMI | 13 3 80 | MITSUBISHI COLOR MONITOR KZ-20EN-A | | | |
| CHECKED H.KITABATA | 19 4 80 | SCALE | SIZE | DRAWING NO | |
| | | | | C-476 | |
| SHEET | | | | | |

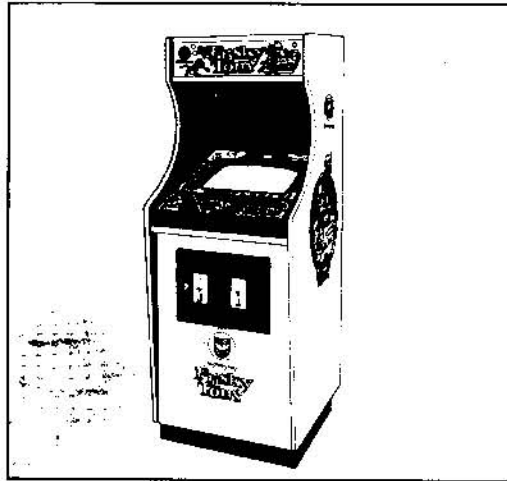


10P
KEL

| | | | | |
|---|----------|---|------|-------------|
| TOLERANCES UNLESS OTHERWISE SPECIFIED RESISTORS DEC ANGLES | | © NIKON BUSSAN CO., LTD. 12-9-1 CHOME TENJINBASHI-KITA-KU, OSAKA JAPAN TELEPHONE OSAKA 106-3515/11 TELEX NCRGOL 59236991 | | |
| APPROVALS | DATE | FRISKY TOM COIN COUNTER MS-5 | | |
| DRAWN H. KITABATA | 26 11 80 | | | |
| CHECKED H. KITABATA | 26 11 80 | | | |
| | | SCALE | SIZE | DRAWING NO. |
| | | | | SHEET |



| | | | |
|--|-------|--|-------------|
| 此圖樣之印刷 未經正式許可 不得翻印 此圖樣之印刷 未經正式許可 不得翻印 | | © NIKON BUSSAN CO., LTD. 12-9, 1-10HOMI, TEIYUJIBASHI, KITA-KU, OSAKA, JAPAN TELEPHONE: OSAKA (06) 353,5271 TELEFAX: NIKON 352,6891 | |
| APPROVALS | DATE | <h1>FRISKY TOM</h1> | |
| DRAWN | | | |
| CHECKED | SCALE | SIZE | DRAWING NO. |
| | | | |
| SHEET | | | |



Nichibutsu
Nihon Bussan Co., Ltd.

HEAD OFFICE:

12-9, 1-chome, Tenjinbashi, Kita-ku, Osaka, Japan TEL. (06) 353-5211 TELEX 523-6891 NC8COL J

BRANCH OFFICE:

TOKYO: TEL. (03) 664-5271 HIROSHIMA: TEL. (0822) 64-4531 NARA: TEL. (0742) 33-6311

SAPPORO: TEL. (011) 824-2571 SENDAI: TEL. (0222) 65-5571 KYOTO: TEL. (0774) 44-6262

NICHIBUTSU GROUP:

Nichibutsu Kyushu Co., Ltd. TEL. (092) 472-7221 **Nichibutsu Leisure System Co., Ltd.** TEL. (03) 664-6774

Nichibutsu U.S.A. Corp. 15407 So. Broadway Gardena, California, 90248, U.S.A.

TEL. (213) 320-5855 TELEX 9103496664 NCBTUSA TRNC

Nichibutsu U.K. Ltd.

999 Wolverhampton Road, Oldbury, West Midlands, B69 4RJ U.K.

TEL. (021) 544-4299 TELEX 335949 NICHUK G

Nichibutsu Europe GmbH

Paul-Ehrlich-Strasse 17 D-6074 Rödermark W. GERMANY

TEL. 06074-900 38/39 TELEX 4197717 NIED D